



SYMMONS® Symmetrix™

Service Sink Faucet S-2490, S-2490-CHKS

Installation Brief



Model Numbers

S-2490 Service sink faucet
 S-2490-CHKS Service sink faucet with integral checks



Caution - For installation with atmospheric vacuum breakers

Faucet should never be used in installations that are under continuous pressure when installed with spouts having atmospheric vacuum breakers (AVB'S). Therefore, never place a self closing, shut-off valve down stream of an AVB.

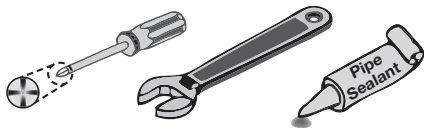
☎ Need Help?

Symmons customer service:
 (800) 796-6667, (781) 848-2250
customerservice@symmons.com
 Mon - Fri 7:30 am - 7:00 pm EST

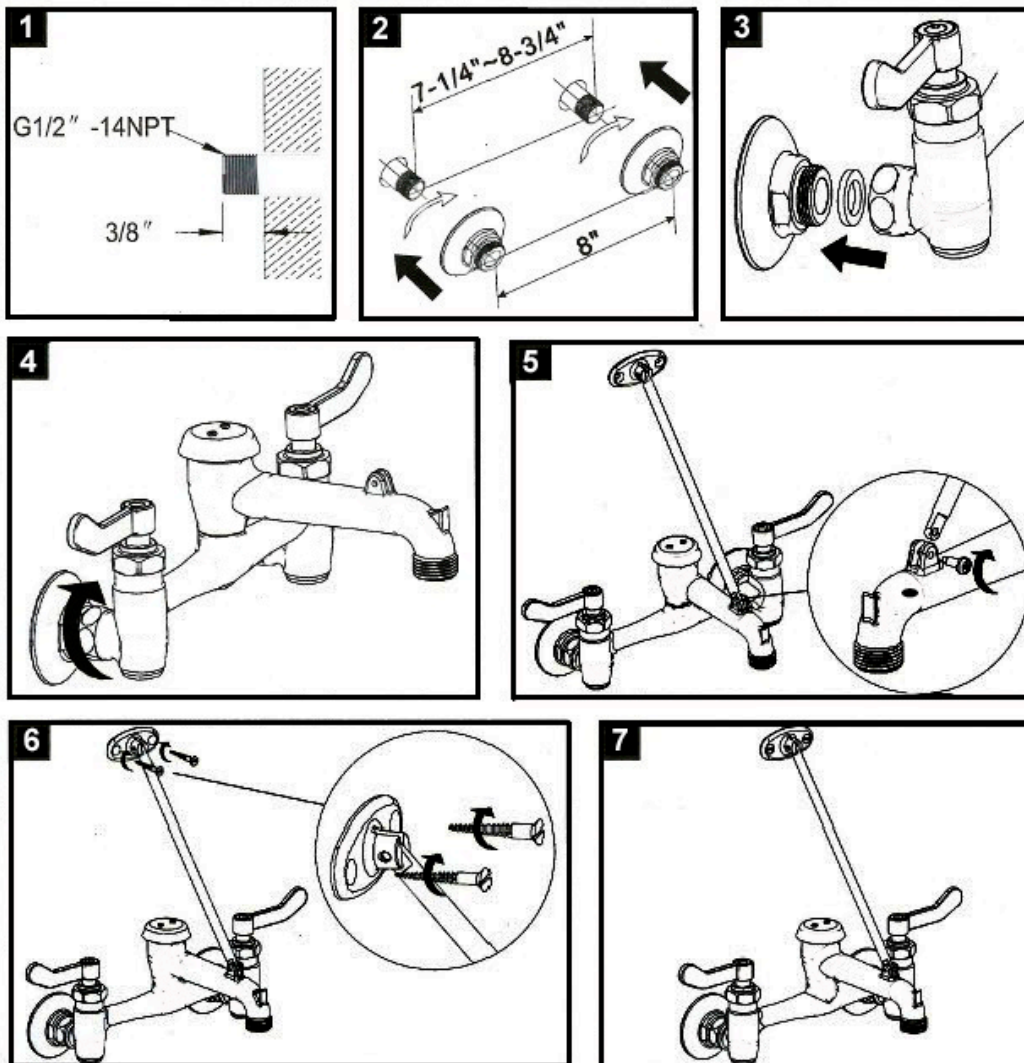
🌐 www.symmons.com/service

- Technical help
- Product information
- Warranty policy

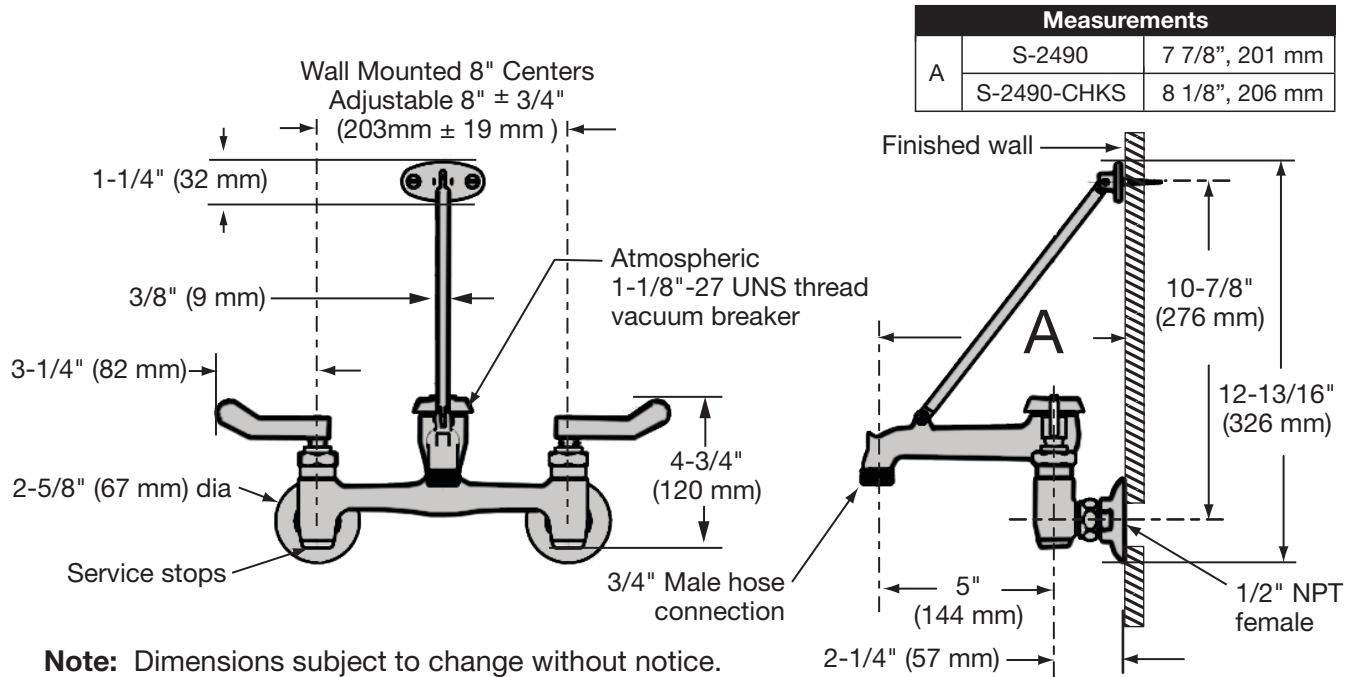
Tools & Materials



Installation Guide Symmetrix Service Sink Faucet S-2490, S-2490-CHKS

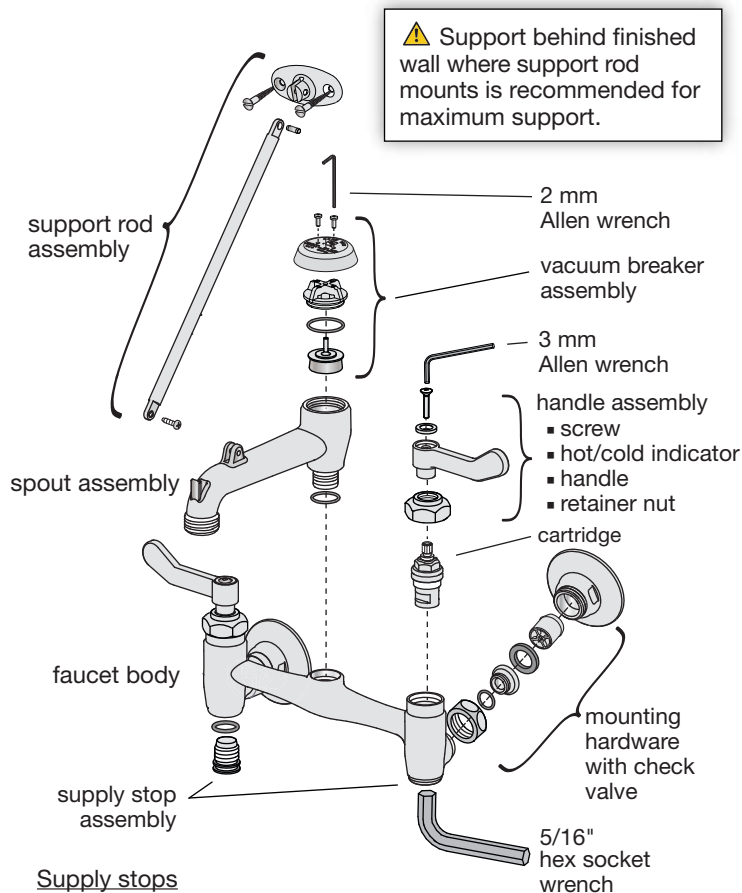


Dimensions Symmetrix Service Sink Faucet S-2490, S-2490-CHKS



Measurements		
A	S-2490	7 7/8", 201 mm
	S-2490-CHKS	8 1/8", 206 mm

Parts Assembly Symmetrix Service Sink Faucet S-2490, S-2490-CHKS



Supply stops

OFF - Turn (CCW) counter clockwise

ON - Turn (CW) clockwise a maximum of three complete turns

Symmons Part Number	Replacement Parts
RL-050	Mounting hardware kit
RL-147 (-CHKS only)	Mounting hardware kit with check valves
RL-051	Handle assembly kit (2 handles included)
RL-052	Cartridge, HOT
RL-053	Cartridge, COLD
RL-054	Supply stop assembly kit (Includes both hot and cold supply stop assemblies)
RL-055	Vacuum breaker assembly kit
RL-056	Support rod assembly kit

Ordering replacement parts:

Call Symmons customer service at (800) 796-6667,

(781) 848-2250 M-F 7:30 am - 7:00 pm EST

Check our website at www.symmons.com for

a list of Symmons distributors.