



**Features:**

- 2 models replace all existing Aspen and Single-inlet coolers
- Easily configured for down or side discharge
- Ultra-quiet prop design
- Lifetime warranty on UV-resistant poly housing
- Fits over existing duct openings
- Hi-density rigid media for 85% cooling efficiency
- Aluminum extruded PSC motor for maximum efficiency
- Optional thermostat available

**Performance Specifications**

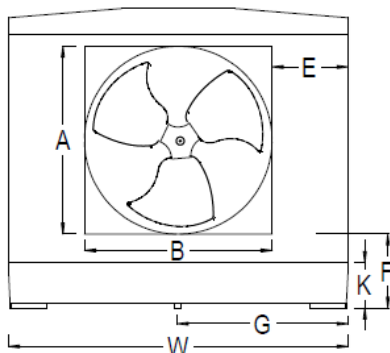
Model	Air Delivery VS Static Pressure							HP	Motor Elec.	
	Nom. CFM	Water Inch Column							115V / 60HZ	High / Low
		0	0.1	0.2	0.3	0.4	0.5			
DX4800	4800	3770	3620	3390	3080	2870	2610	1/2	5.2A / 3.3A	
DX6800	6800	5030	4810	4590	4360	4080	3900	3/4	7.0A / 4.8A	



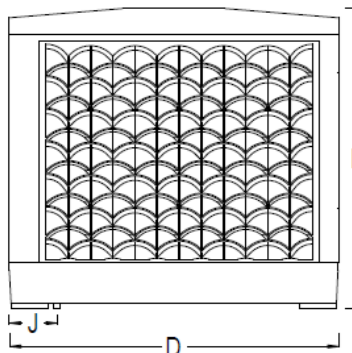
**Dimensional Specifications**

Model	Air Discharge Type	Drive	Cabinet Dims. (In.)			Duct Location				Drain Location		Pan Dim. (In.)	Weight (lbs)		Media Dims. (In.) 3 pcs per L x W x H ea.
			Height	Width	Depth	Opening		Position		Position			Ship	Operating	
			H	W	D	A	B	E	F	G	J				
DX4800	Down, side	Direct	25 5/8	32	31	16 1/2	16 1/2	7 3/4	5 7/8	16	4 1/8	4	67	135	19 x 25 x 3
DX6800	Down, side	Direct	32	36	35	20	20	8	7 1/2	18	4 3/4	4 7/8	84	170	24 x 28 1/2 x 3

Discharge View



Media Side View



Bottom View

