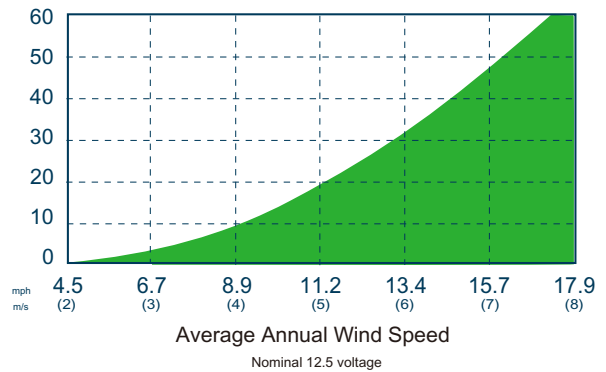




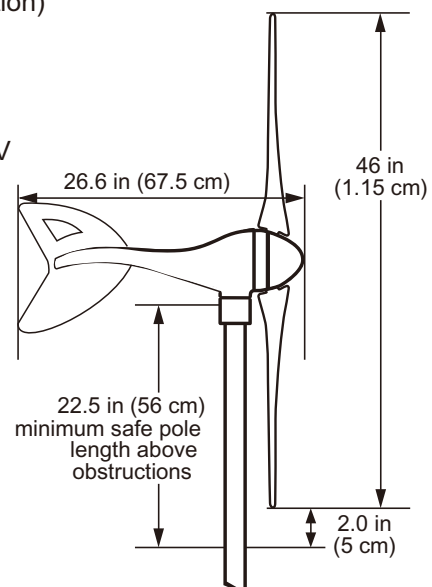
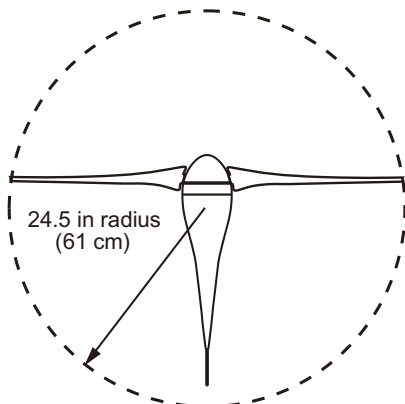
Marine Grade

- Advanced microprocessor for reliable energy production
- Integrated overcharge protection
- Permanent mold cast aluminum body
- High-quality, field tested components
- Quiet Operation
- Lightweight; easy to install

MONTHLY ENERGY (KWH)



- Model: Nemo400
 Rotor Diameter: 47 inches (1.2m)
 Weight: 12.3 lbs (5.7kg)
 (Shipping: 26.5"x13.8"x8.3" (672x350x210mm) / 15.4 lbs (7.0kg))
 Mount: 1.5" schedule 40 pipe (1.9" OD, 48 mm)
 Magnetic Material: NdFeB (Neodymium Iron Boron)
 Shaft Bearing: High Standard Sealed Bearing
 Shaft: Stainless Steel
 Fasteners (nuts and bolts): Stainless Steel
 Start-up wind speed: 7 mph (3.13 m/s)
 Voltage: 12 and 24 VDC
 Rated Power: 400 watts at 28mph (12.5m/s)
 Controller: Microprocessor-based smart external regulator with Peak Power Tracking
 Blades: Carbon Fiber Composite
 Body: Cast aluminum (Marine is powder coated for corrosion protection)
 Energy Production: 38 kWh/mo @ 12mph (5.4m/s)
 Warranty: 2 Year Limited Warranty
 Survival Wind speed: 110 mph (49.2 m/s)
 Over-speed Protection: Electronic torque control
 Battery Bank Minimum: 100 amp hours @ 12V, 50 amp hours @ 24V



Smart external regulator with Peak Power Tracking Controller

Four advantages:

1. Automatic Circuit Break protection.
2. High wind protection.
3. Output power display.
4. Over charge protection.

