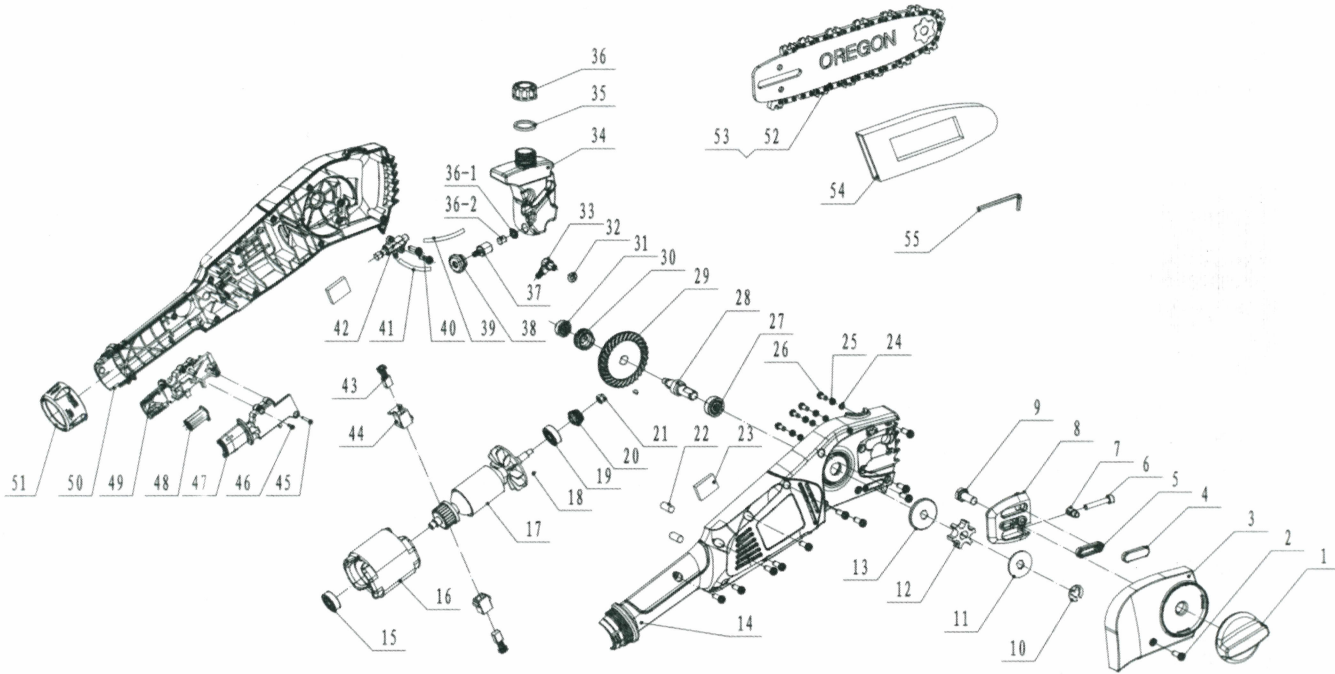
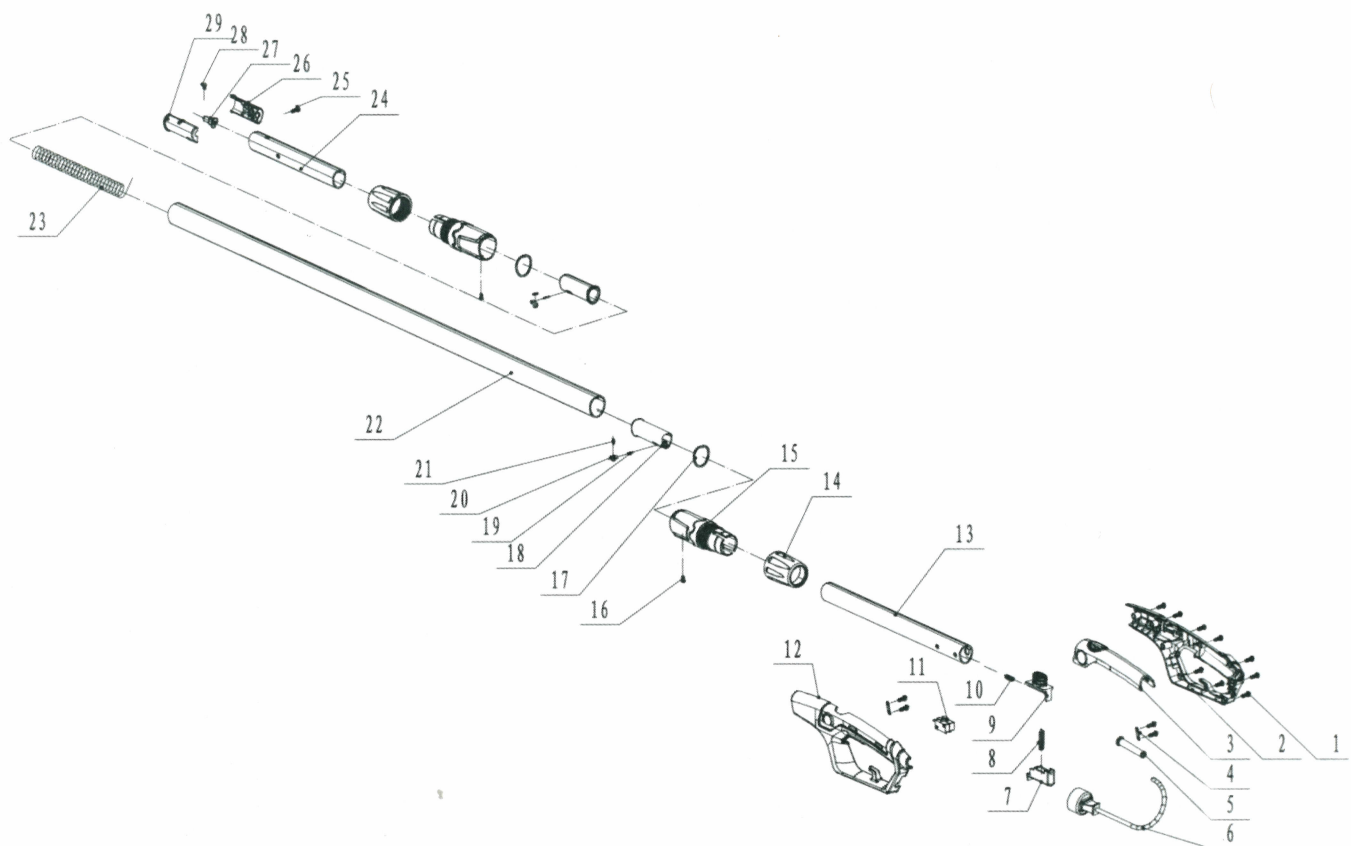


EXPLODED VIEW & PARTS LIST



Item	Stock #	Description
1	PS6108-101	Sprocket locking knob
2	PS6108-102	Screw ST4.2x14
3	PS6108-103	Guide bar cover
4	PS6108-104	Gasket
5	PS6108-105	Seal
6	PS6108-106	Tension screw M5x30
7	PS6108-107	Tension nut
8	PS6108-108	Right side
9	PS6108-109	Bolt M8x20
10	PS6108-110	Snap ring
11	PS6108-111	Washer
12	PS6108-112	Sprocket
13	PS6108-113	Bearing cover
14	PS6108-114	Right motor cover
15	PS6108-115	Bearing 627
16	PS6108-116	Stator
17	PS6108-117	Rotor
18	PS6108-118	Key 2.5x10
19	PS6108-119	Bearing 608
20	PS6108-120	Gear
21	PS6108-121	Locknut M5
22	PS6108-122	Rubber bracket
23	PS6108-123	bracket
24	PS6108-124	Washer 4
25	PS6108-125	Spring washer 4
26	PS6108-126	Screw M4x10
27	PS6108-127	Bearing 6900
28	PS6108-128	Shaft
29	PS6108-129	Worm gear

Item	Stock #	Description
30	PS6108-130	Worm shaft
31	PS6108-131	Bearing 606
32	PS6108-132	O-ring
33	PS6108-133	Pipe connector
34	PS6108-134	Oil tank
35	PS6108-135	Oil tank seal
36	PS6108-136	Oil tank cap
36-1	PS6108-136-1	filter cover
36-2	PS6108-136-2	Filter
37	PS6108-137	Valve
38	PS6108-138	Pipe seal
39	PS6108-139	Pipe 70mm
40	PS6108-140	Screw ST4.2x10
41	PS6108-141	Pipe 65mm
42	PS6108-142	Oil pump
43	PS6108-143	Carbon brush
44	PS6108-144	Brush holder
45	PS6108-145	Screw ST2.9x16
46	PS6108-146	ST2.9x10
47	PS6108-147	Right switch box
48	PS6108-148	Plug
49	PS6108-149	Left switch box
50	PS6108-150	Left motor cover
51	PS6108-151	Knob
52	PS6108-152	Guide bar
53	PS6108-153	Saw chain
54	PS6108-154	Scabbard
55	PS6108-155	Wrench



Item	Stock #	Description
1	PS6108-201	Screw ST4.2x14
2	PS6108-202	Right handle
3	PS6108-203	Handle grip
4	PS6108-204	Cable holder
5	PS6108-205	Cable sleeve
6	PS6108-206	Power cord
7	PS6108-207	Switch lever
8	PS6108-208	Spring
9	PS6108-209	Switch lock-out
10	PS6108-210	Spring
11	PS6108-211	Switch
12	PS6108-212	Left handle
13	PS6108-213	Inner tube A
14	PS6108-214	Tube spring
15	PS6108-215	Adjusting knob

Item	Stock #	Description
16	PS6108-216	Screw M4x5
17	PS6108-217	Ring
18	PS6108-218	Tube connector
19	PS6108-219	Spring pin
20	PS6108-220	Stop bracket
21	PS6108-221	Spring
22	PS6108-222	Outer tube
23	PS6108-223	Cable
24	PS6108-224	Inner tube B
25	PS6108-225	Screw ST2.9x8
26	PS6108-226	Left bracket
27	PS6108-227	Plug
28	PS6108-228	Screw ST4.2x8
29	PS6108-229	Right bracket