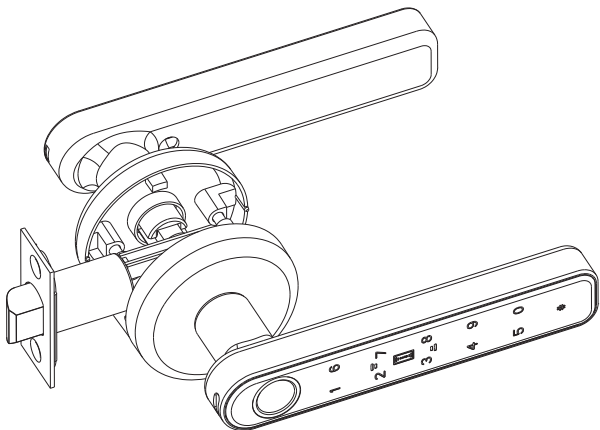


INSTRUCTION MANUAL



Installation video



TT LOCK



Setup Video

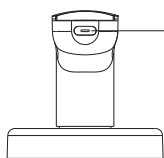
Before installing the smart lock,
please read this manual carefully,
and keep it in a safe place, for future reference.

TABLE OF CONTENTS

| | |
|--|----|
| PRODUCT OVERVIEW | 01 |
| DOOR LOCK INSTALLATION DIAGRAM | 02 |
| MEASURING DOOR DIMENSIONS | 03 |
| DOOR OPENING DIRECTION | 04 |
| 1. Door Opening Direction | 04 |
| 2. Installation | 05 |
| DOOR LOCK INSTALLATION TUTORIAL | 06 |
| TIPS AND PARAMETERS | 09 |
| HOW TO UNLOCK & LOCK | 10 |
| 1. Via App | 10 |
| 2. Fingerprint | 10 |
| 3. Passcode | 10 |
| 4. IC Card | 10 |
| 5. Mechanical Keys | 10 |
| 6. Automatic Lock | 10 |
| 7. Emergency Supply | 11 |
| HOW TO DELETE USERS (FACTORY RESET) | 12 |
| “NORMALLY OPEN MODE” SETTING | 13 |
| APP OPERATION INSTRUCTIONS | 14 |
| 1. App registration and login | 14 |
| 2. Add Bluetooth door lock | 15 |
| 3. App door lock panel home page..... | 17 |
| 4. Key management | 18 |
| 5. Restore factory settings | 19 |
| 6. Technical parameters | 20 |

PRODUCT OVERVIEW

Front Lock View



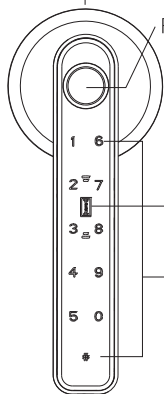
5V Type C (emergency power port, note: not rechargeable!)

Free Passage Mode

Dual-row keypad

Single Row Keyed

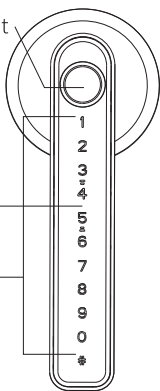
Rear Lock View



Fingerprint reader

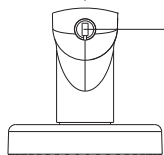
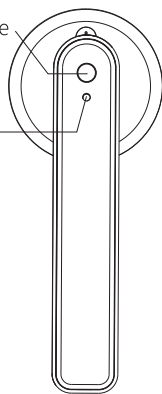
IC card reader

Digits keypad



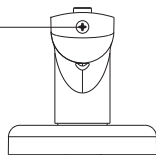
Free Passage Mode

Reset key

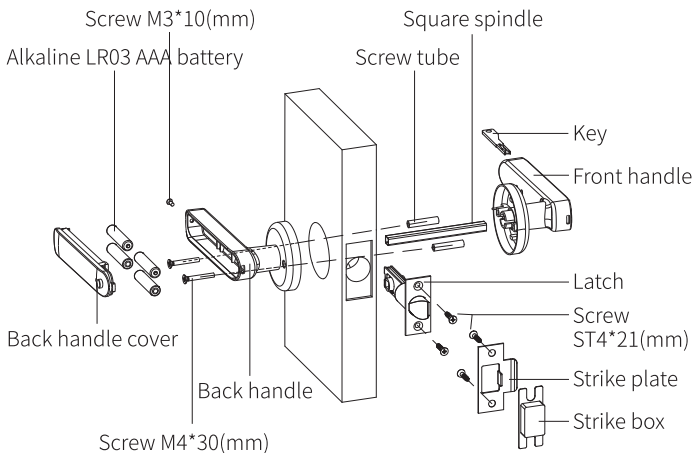


Mechanical Lock Hole

Rear cover plate screw holes

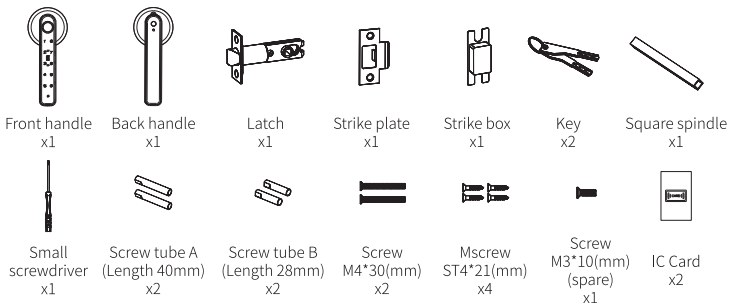


DOOR LOCK INSTALLATION DIAGRAM



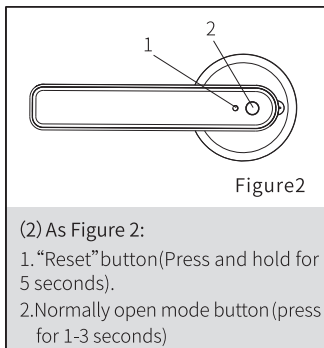
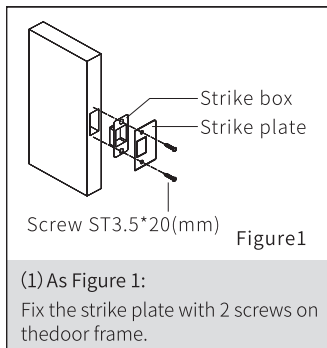
- Tips** ⚠️ (1) Install the spindle into the latch, and get the cables through the middle of spindle.
- (2) Fix the rear fixing plate, front handle with two screws on the door.

Attachment



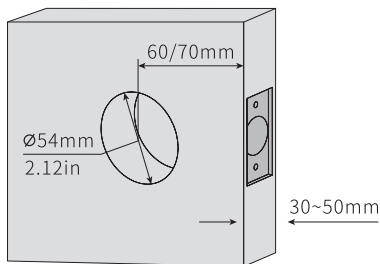
- Tips** ⚠️ Open the product package. Check that the following accessories are included.

MEASURING DOOR DIMENSIONS



Measure the Door Size

Make sure door thickness is 30mm-50mm, door hole diameter is $\Phi 54\text{mm}$, measure backset size is 60/70mm with the deadbolt.



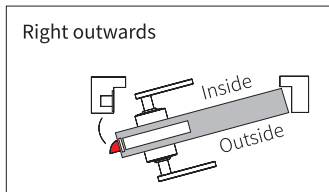
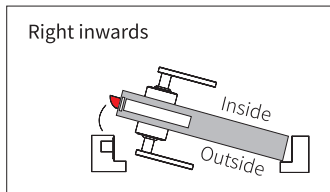
Tips ⚠️ (1) Available door thickness 30~50mm. If the door is over this range. Please contact us for more information.

(2) For 30-40mm door thickness, please use 28mm stud / 41-50mm door thickness, please use 40mm stud.

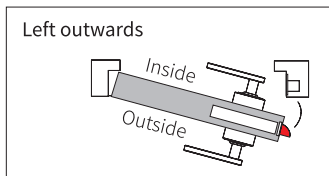
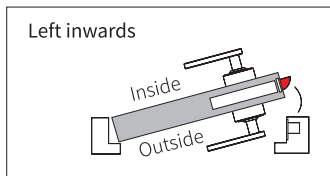
DOOR OPENING DIRECTION

1、 Door Opening Direction

(1) Right handle opening

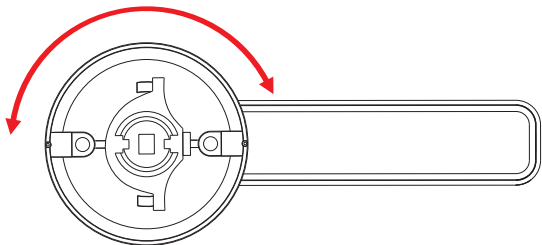


(2) Left handle opening



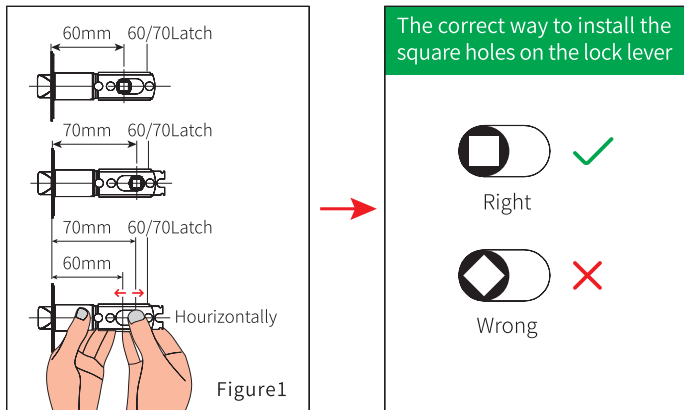
(3) Open the door with your left or right hand.

According to the direction of the door opening, As shown in the figure below: replace and install it (This product Left/RightUniversal).

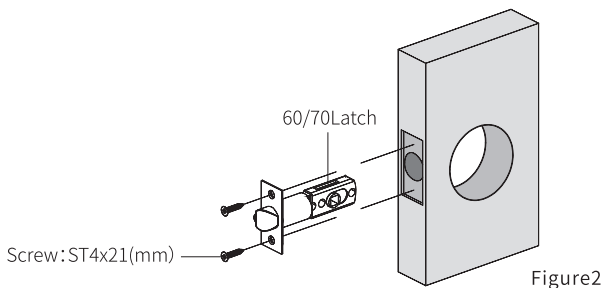


2. Installation

Please follow the below steps to install the lock

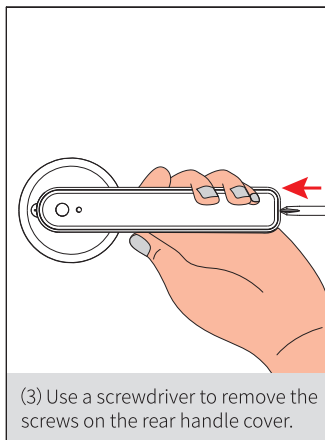
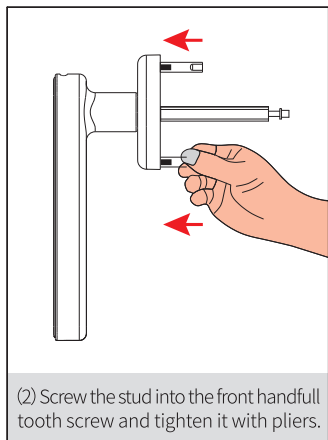
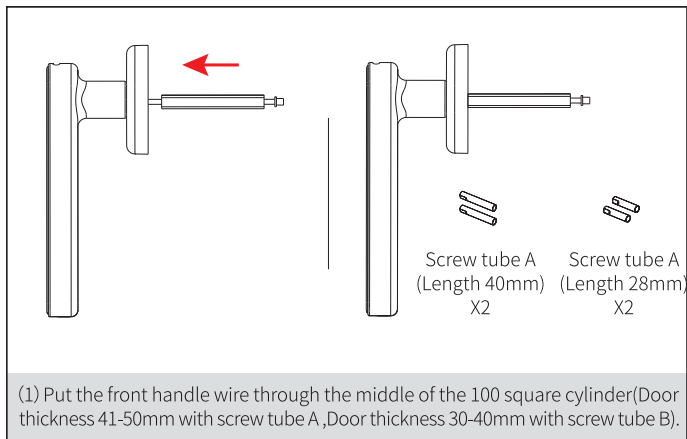


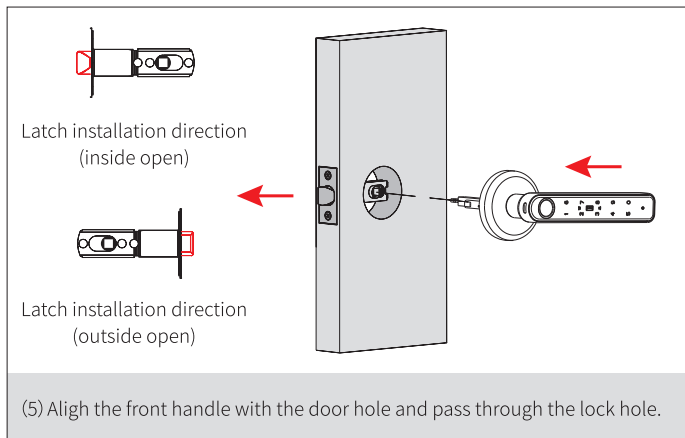
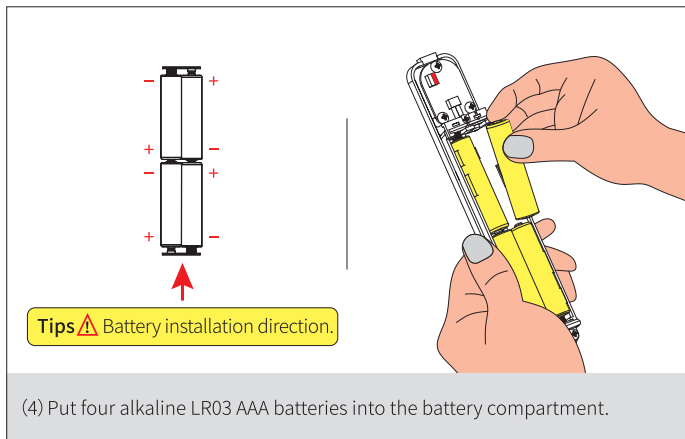
(1) As Figure 1: Adjust the back distance of the lock body as required(60~70mm). When adjusting the back distance, hold the square hole on the lock lever with your hand and push it to the edge of the lock lever, front and rear the hole must be horizontal.

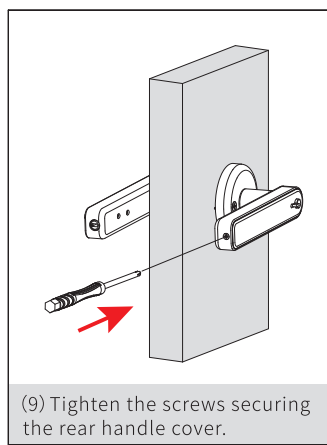
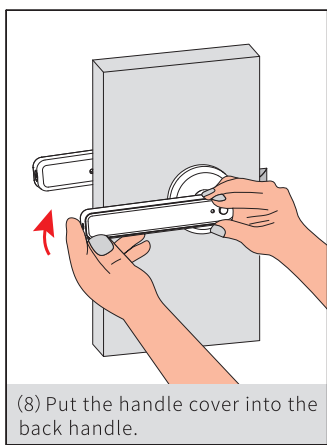
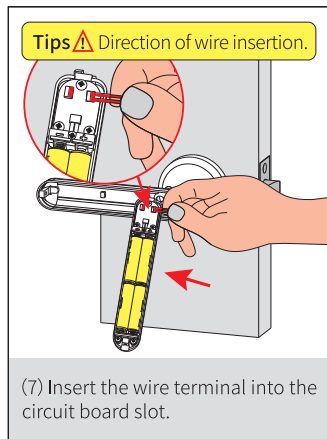
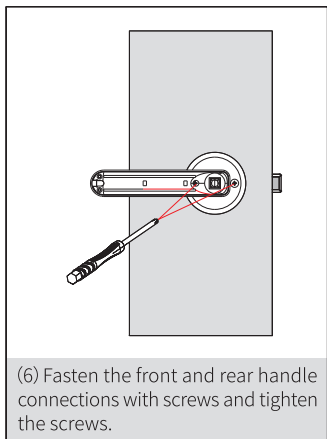


(2) As Figure 2: Fix the latch with 2 screws.

DOOR LOCK INSTALLATION TUTORIAL







TIPS AND PARAMETERS

Check Points After Installatio

- (1) The smart lock is horizontal with the door.
- (2) The latch bolt must works smoothly and flexibly.
- (3) Please make sure the cable will not be pressed.
- (4) Fix the handle with two screws, and check if it works fine.
- (5) Please choose a good quality Lr03 alkaline battery, and ensure that all 4 batteries are new, and cover the battery cover.

Tips

- (1) This lock is equipped with mechanical keys for manual unlocking. Remove mechanical keys from the package and keep them in a safe place and always have access to them.
- (2) Please replace the batteries as soon as you heard the low voltage alarm, Don't mix old and new batteries or different battery types.
- (3) This lock is not designed to be exposed to direct sunlight or rain. It is not water proof IP rated.
- (4) Keep your fingers clean and dry when using this lock.
- (5) When using the mobile phone Bluetooth App, keep a limited distance from the door lock within 5-10 meters.

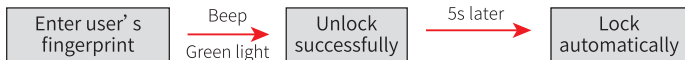
Parameters

| | |
|---------------------------------|---|
| Unlocking Methods | Fingerprint/passcode/Bluetooth/IC Card/Mechanical Key |
| Direction of Door Opening | Left/Right(Universal) |
| Power Supply | 4*LR03 AAA Batteries/External USB Power Supply(for Emergency) |
| Number of Users | 100 sets each of fingerprints, passwords and IC Cards |
| The number of virtual passwords | ≤26 |
| Emergency power supply | 5V (DC) |
| Low voltage alarm | 4.8V±0.2V(When the battery is low,the red light prompts five times) |
| Operating temperature | -25°C-65°C |

HOW TO UNLOCK & LOCK

1、Via App (See P.14)

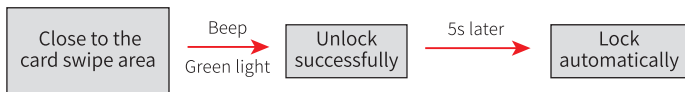
2、Fingerprint



3、Passcode



4、IC Card



5、Mechanical Keys

Use the spare key to rotate 90 degrees and press down on the door handle to unlock.

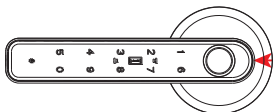
6、Automatic Lock

After unlocking for 5S,the device will auto lock.

Tips

- (1) When the battery is low, the indicator will blink red light. The rest power could only be used for about 30 times(Unable to operate the device on the App) .
- (2) When the battery is out of power, you can unlock the door with key, or supply the lock with power through the TypeC-USB port and use fingerprint / password / IC Card to unlock it.

7. Emergency Supply



While low battery, use your power bank plug here for emergency power supply (Can not be charged).

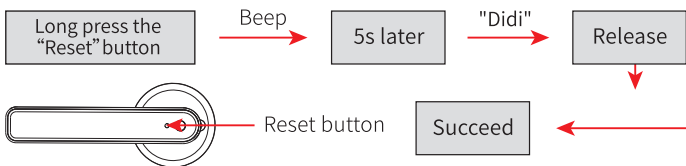
Tips

- (1) Leave at least one key outside the door in case of emergency.
- (2) When the battery is low, the indicator light will flash red 5 times and the remaining power can only be used about 100 times (unable to operate the device on the app).
- (3) When the battery is dead, you can unlock the lock with a mechanical key, or you can power the lock through the 5V Type-C USB port and unlock it with a fingerprint, passcode or card.
- (4) Use alkaline batteries to prevent damage caused by battery leakage, and remove the batteries if they are not used for a long time.

HOW TO DELETE USERS (FACTORY RESET)

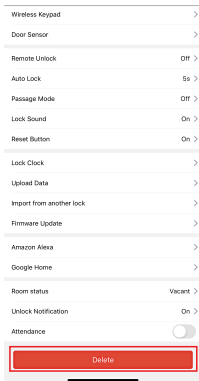
When lock is reset to factory defaults all user (fingerprints/ paddcode/ IC cards) are deleted and all programming features are reset to original default settings.

Method 1:



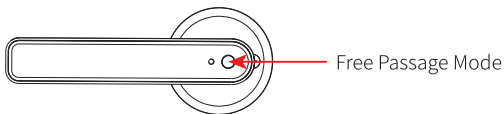
Method 2:

Factory reset and unbind via App (See P.17).



"NORMALLY OPEN MODE" SETTING (DEFAULT: AUTO-LOCK)

Method 1:



Tips

- (1) Switching from "Free Passage Mode" to "automatic locking mode" and vice versa.
- (2) Or any valid user can unlock the door lock and it will switch to "Auto Lock Mode".

APP OPERATION INSTRUCTIONS

TT LOCK App Operation Instruction

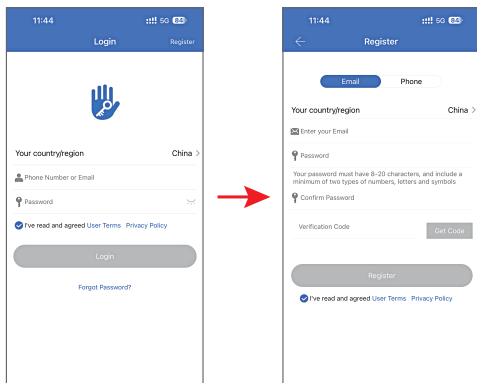
"TT LOCK App" is an TT LOCK device management App provided by all locks to terminal consumers. Through "TT LOCK App", you can easily configure and control the intelligent products you buy, configure your favorite scenes and automation programs, share your intelligent devices with family and friends, and enjoy the intelligent fun of the whole house.

App access: search for "pass lock" in the app market or "Apple Mall" or scan the QR code below to download APP.

This document takes the TT LOCK App as an example to explain the function of App door lock panel in detail.



1. App registration and login

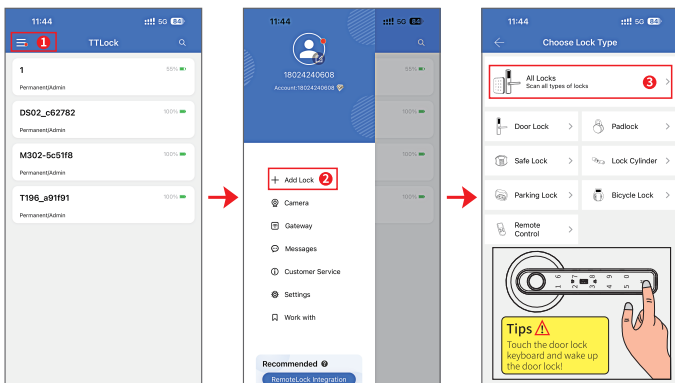


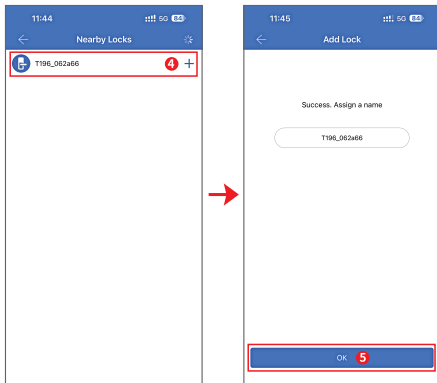
App registration: select "register" for accounts without APP. You can register by mobile phone number or mailbox.

After the registration is successful, enter the account number and password to log in.

2. Add Bluetooth door lock

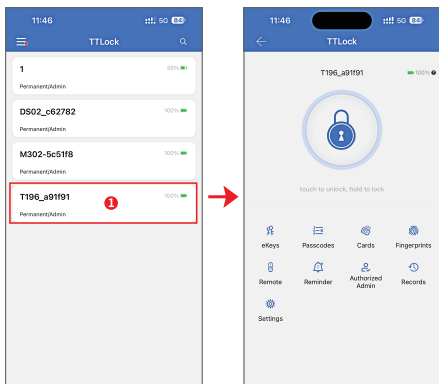
(Bluetooth must be turned on for mobile phone)





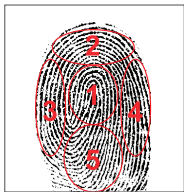
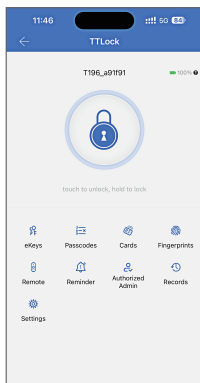
1. Click the "list" icon in the upper left corner of the APP home page, select "+ add locks", click "all locks", and then touch any numeric keypad of the door lock to wake up the door lock. After App finds the door lock device, add it and rename the door lock.
2. Waiting for the device to be added, the door lock emits "Didi" twice, indicating that the addition is successful.

3. App door lock panel home page



1. Click the equipment list to enter the door lock home page.
2. Click on the door lock icon to unlock the phone, and press the button for a long time to lock the phone.
3. Please turn on Bluetooth when using it, and make sure that the application can access Bluetooth on the phone. Please keep the distance between the phone and the door lock at an effective distance of 5-10 meters.

4. Key management

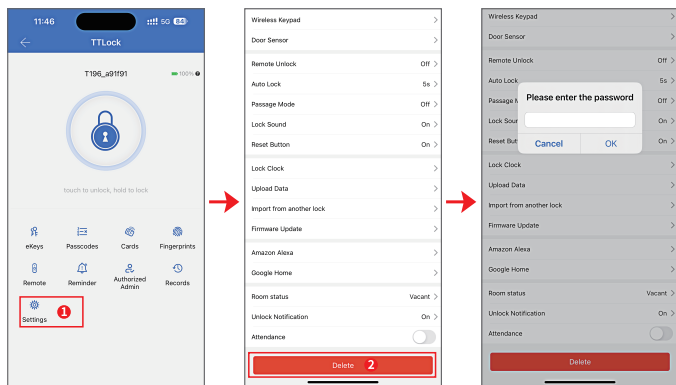


Tips ⚠️ As shown in the picture, when entering fingerprints to ensure that the 5 fingerprint areas are completely entered, the recognition flexibility will be increased by more than 99.9%!

- (1) The belly of the finger is used to make the entry, not the fingertip.
- (2) The same fingerprint needs to be scanned from multiple angles.
- (3) Multiple fingerprints can be scanned for the same user.
- (4) Please keep your finger clean, not too dry or too wet.

1. Select the key information you need to enter on the home page of the door lock and enter it according to the prompt.

5. Restore factory settings



1. Select "Settings" on the door lock home page, click "Delete", and enter the account password to restore the factory settings. At the same time, all data on the door lock will be erased.
2. After pressing the setting key in the small hole of the handle for 5 seconds, the door lock sends out a long "drip" sound, forcing the factory to resume the setting successfully. All opening methods on the door lock will be removed, the door lock will return to the default state when it left the factory, and other users can re-add the door lock through APP.

6、Technical parameters

| Serial Number | Work and Energy | Internal Capacity | Detailed Description |
|---------------|-----------------------------|---|--|
| 1 | Unlocking mode | Fingerprints, passwords, cards. TT LOCK App, keys | |
| 2 | Number of users | 300 groups | 300 groups of fingerprints, passwords and cards (including administrators) |
| 3 | Low voltage alarm | $4.8V \pm 0.2V$ | When the voltage is lower than 4.8V, the red light is displayed when the lock is opened. It will flash for 5 times, please replace the battery in time. |
| 4 | Static current | $>80\mu A$ | |
| 5 | Dynamic current | $>250mA$ | |
| 6 | Power supply voltage | $6V \pm 0.3V$ | Four No. 7 dry batteries (please choose high quality alkaline 1.5V electricity.(pool) to prevent battery leakage, please replace the battery within one year |
| 7 | Application of power supply | 5VDC | USB tyPe-C connection (emergency use when the battery is dead.Power supply to unlock) |
| 8 | Operating temperature | $-25^{\circ}C \sim 65^{\circ}C$ | |
| 9 | Working humidity | 20%-90%RH | |



CE FC

Model No.: TT190/TT196.

Date: 2024-05-25.

Version number: V1.0.

Origin: China. Zhongshan, Guangdong