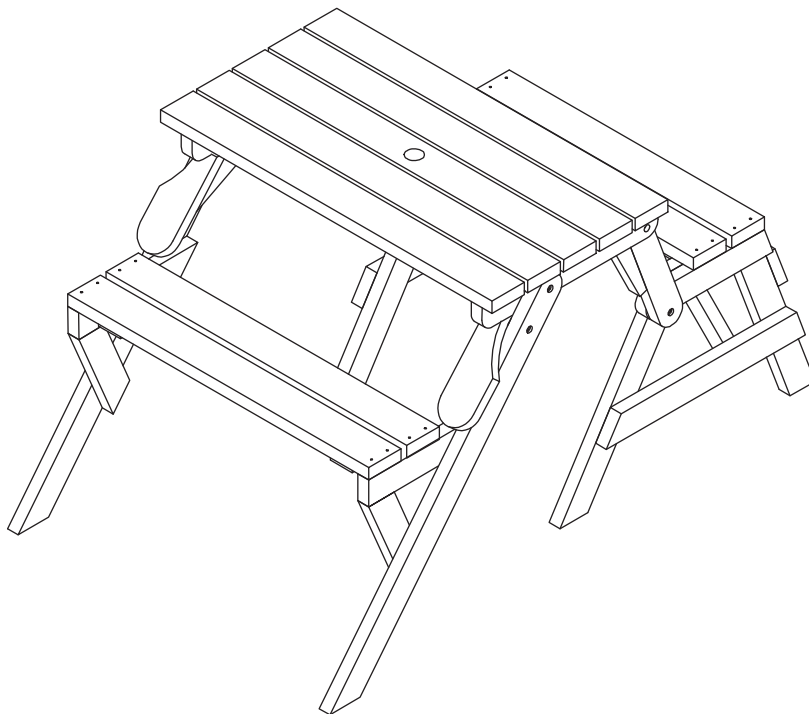


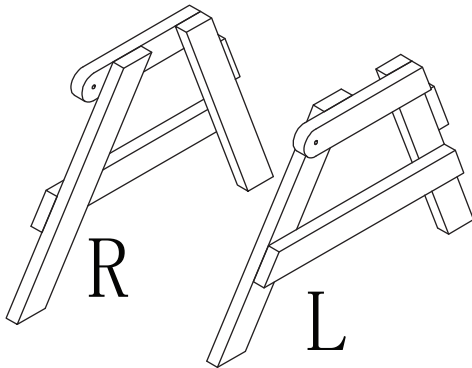
CARE INSTRUCTIONS

Thank you for choosing northbeam[™] INTERCHANGEABLE PICNIC TABLE/GARDEN BENCH. With a little care and maintenance, the northbeam[™] INTERCHANGEABLE PICNIC TABLE /GARDEN BENCH will provide you with comfort and enjoyment for many years to come!

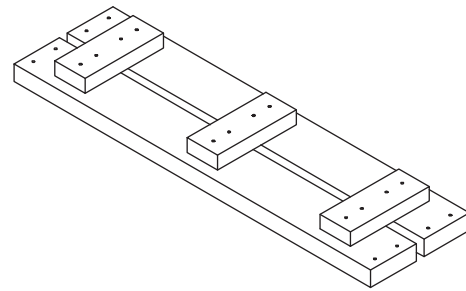
- To clean panels, use clean water on a damp cloth.
- When assembling northbeam[™] INTERCHANGEABLE PICNIC TABLE/GARDEN BENCH, please handle all the panels and/or hardware with care to avoid any possibilities of damages and/or injuries.
- Cover during harsh weather to keep it from weathering.
- It is highly recommended that you treat the northbeam[™] INTERCHANGEABLE PICNIC TABLE/GARDEN BENCH with a weatherproof coating of stain once a year, to increase life expectancy and maintain the look.



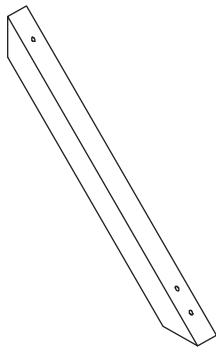
NOTE: Please read all instructions carefully before starting assembly. Also, we recommend that the unit is fully assembled on a level surface. Two people are recommended to assemble this product. DO NOT over torque screws and bolts.



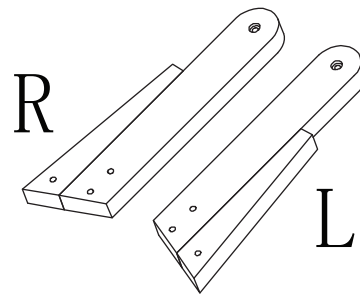
1 SHORT BENCH LEG X 2PCS



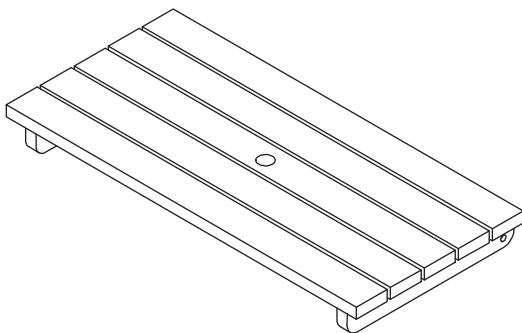
2 SHORT BENCH SEAT X 1PC



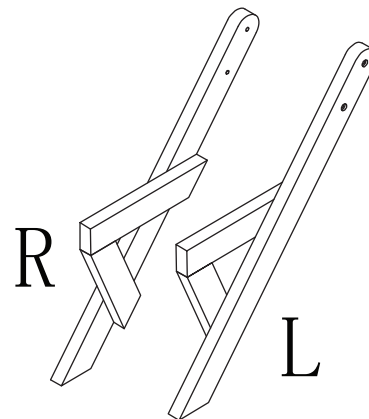
3 SHORT BENCH SUPPORT X 2PCS



4 TABLE TOP SUPPORT ARM X 2PCS

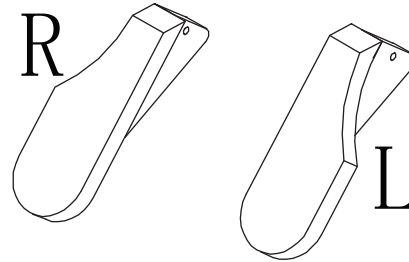
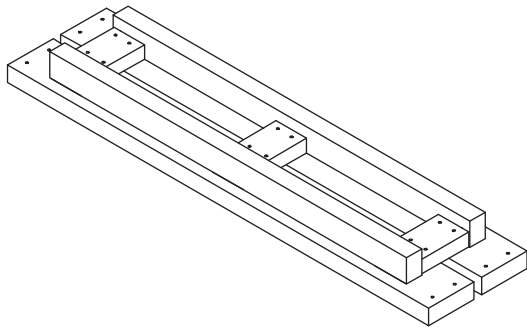


5 TABLE TOP X 1PC



6 LONG BENCH LEG X 2PCS

NOTE: Please read all instructions carefully before starting assembly. Also, we recommend that the unit is fully assembled on a level surface. Two people are recommended to assemble this product. DO NOT over torque screws and bolts.



7 LONG BENCH SEAT

X 1PC

8 GARDEN BENCH ARMREST

X 2PCS

A  6X50 **6PCS**

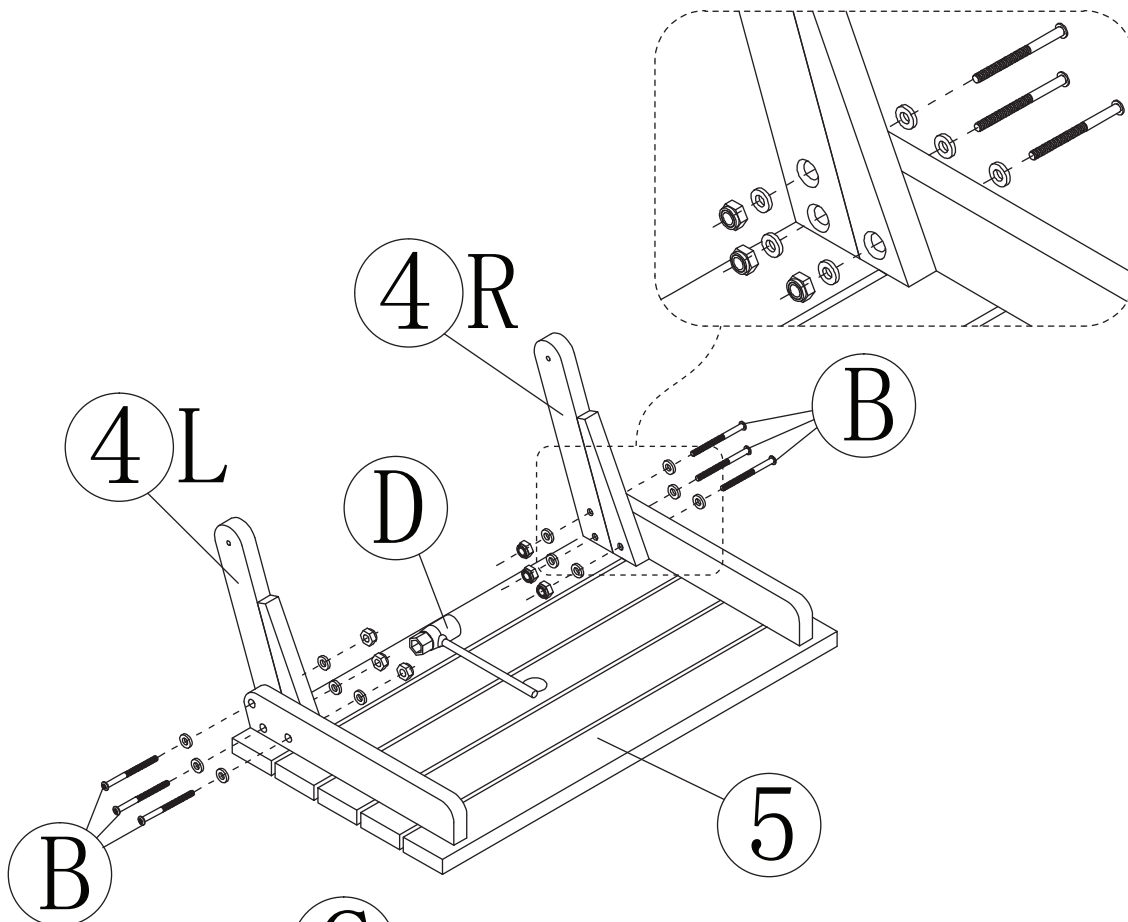
B  6X50 **6PCS**

C  3.5X50 **22PCS**

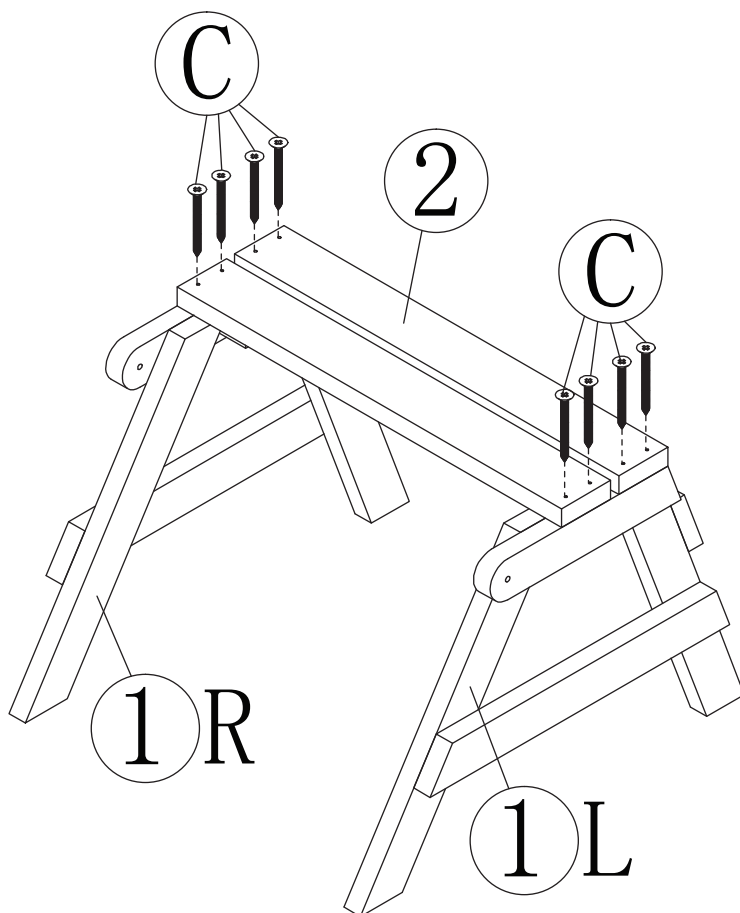
D  WRENCH **1PC**

NOTE: Please read all instructions carefully before starting assembly. Also, we recommend that the unit is fully assembled on a level surface. Two people are recommended to assemble this product. DO NOT over torque screws and bolts.

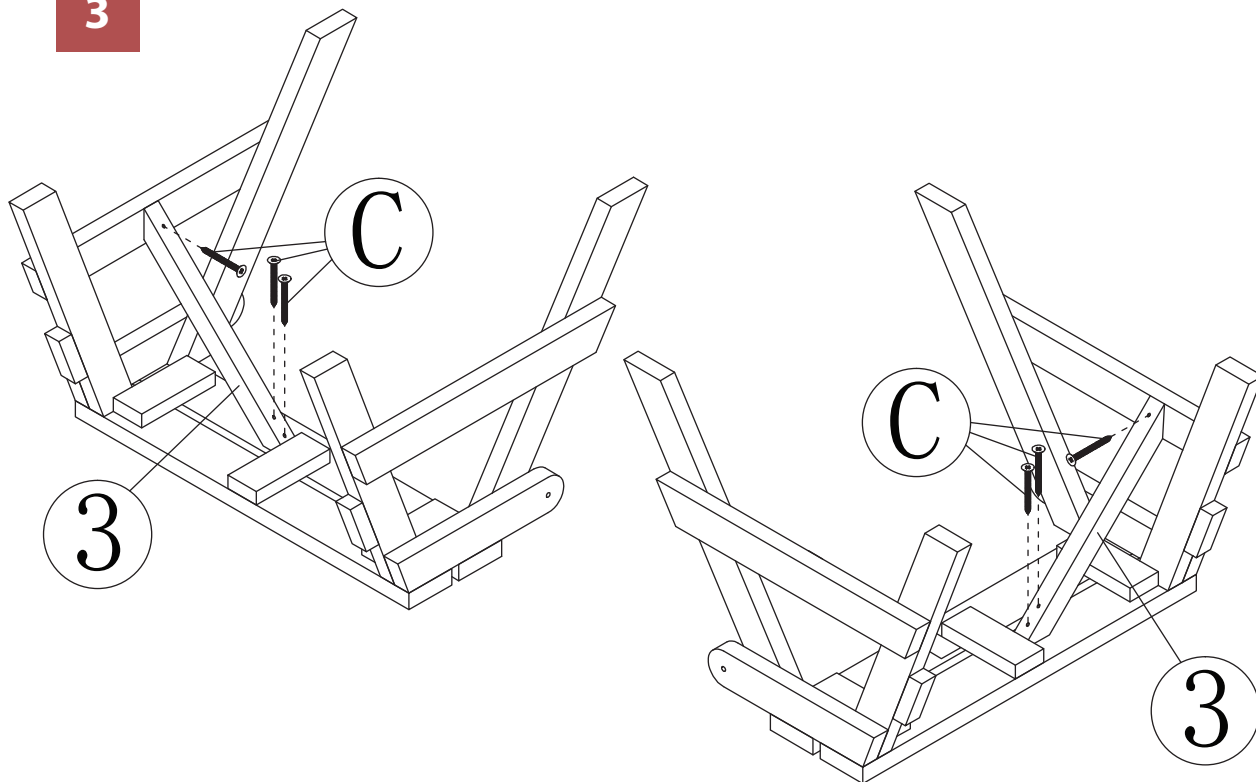
1



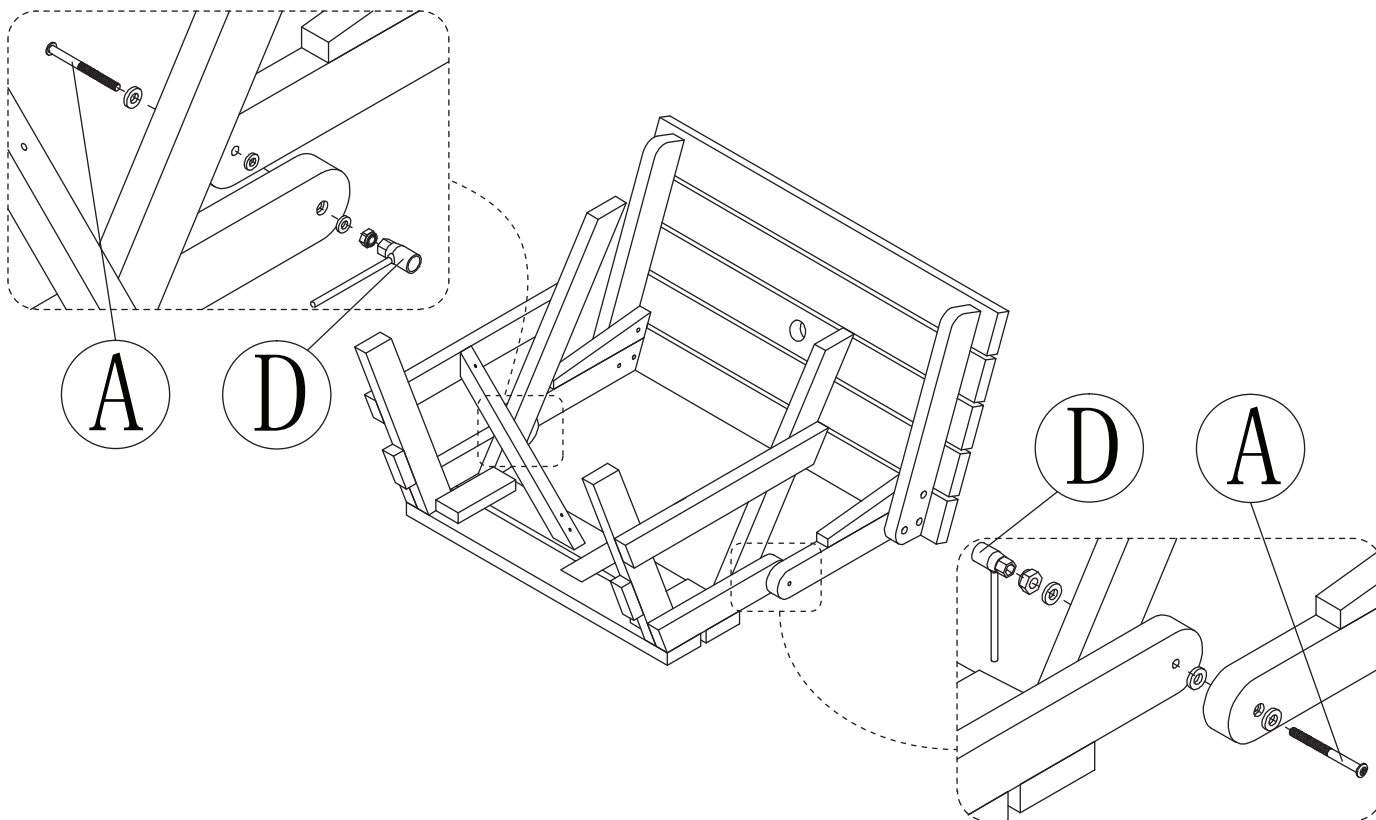
2



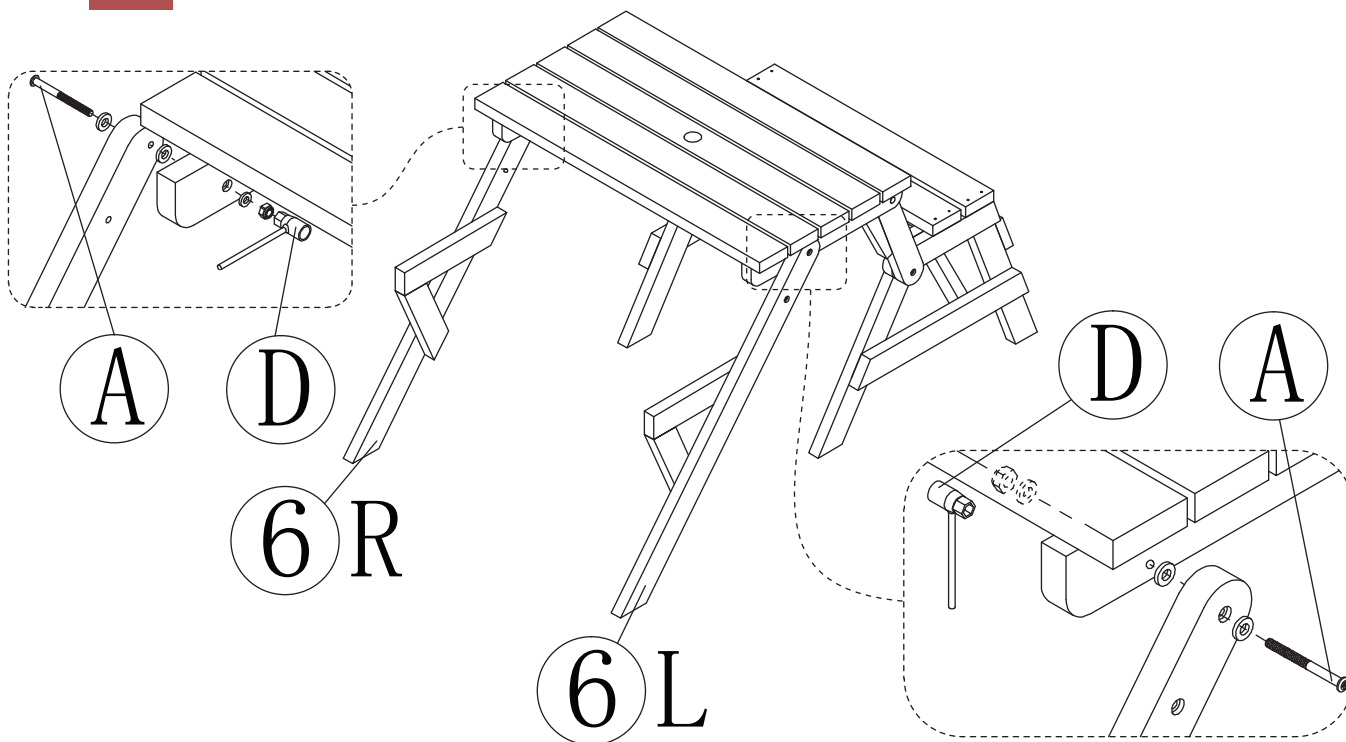
3



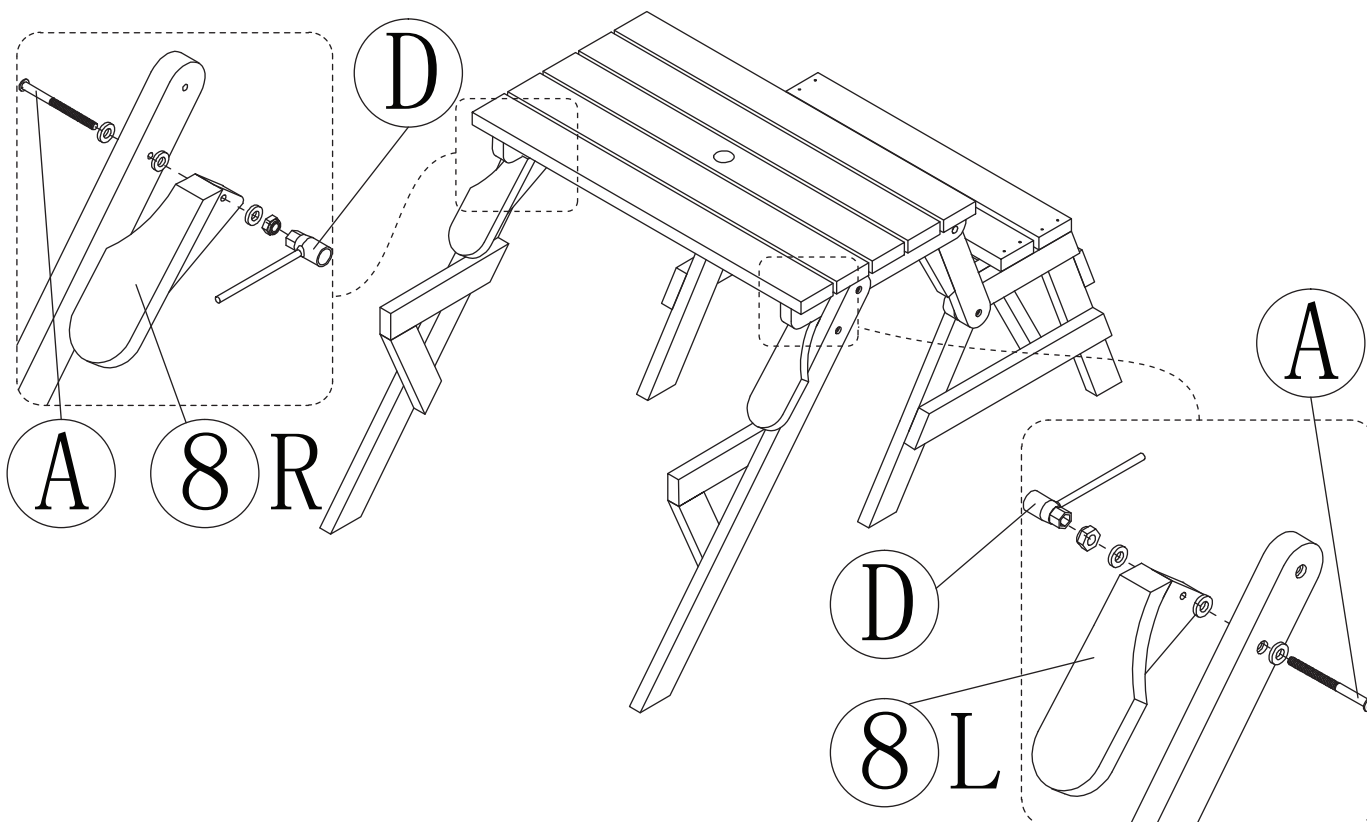
4



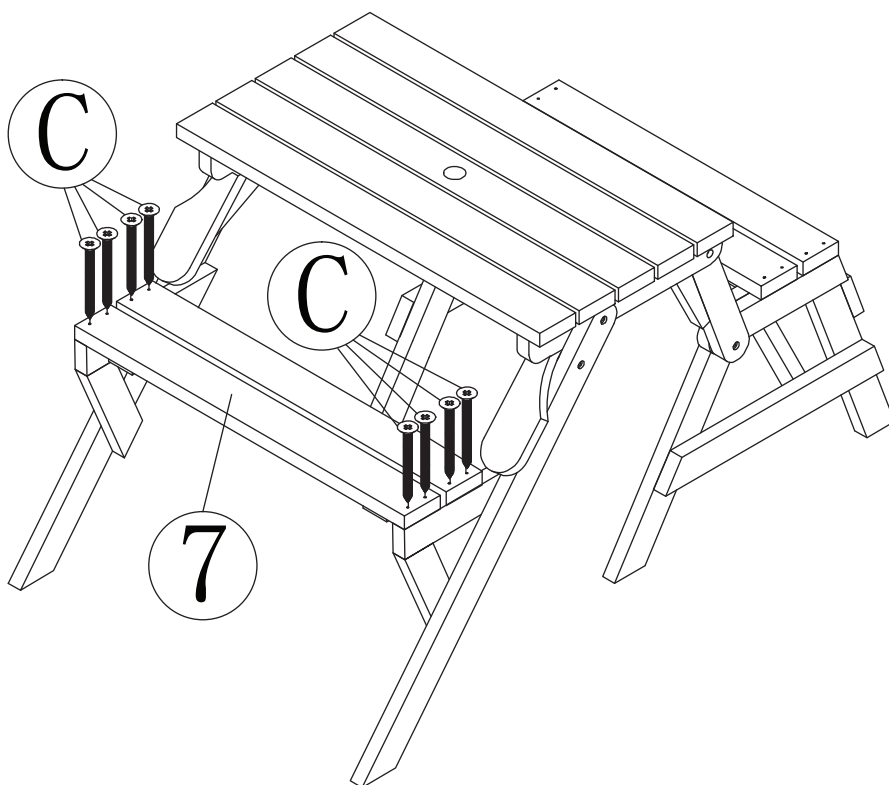
5



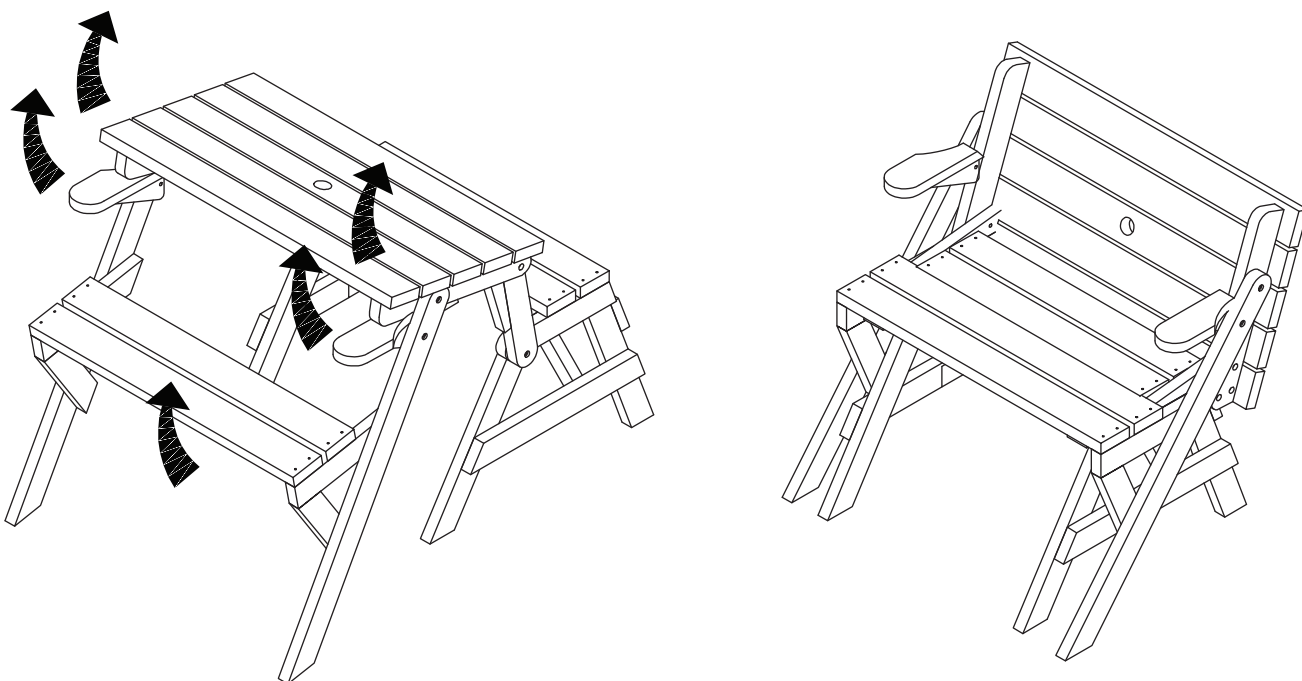
6



7



8



Please check contents before assembly. If any items are missing or damaged, do not take the unit back to the store. Call (775) 629-5029 or email: service@merryproducts.com for customer service and we will save you time by correcting any problems directly for you.

NOTE: Please read all instructions carefully before starting assembly. Also, we recommend that the unit is fully assembled on a level surface. Two people are recommended to assemble this product. DO NOT over torque screws and bolts.