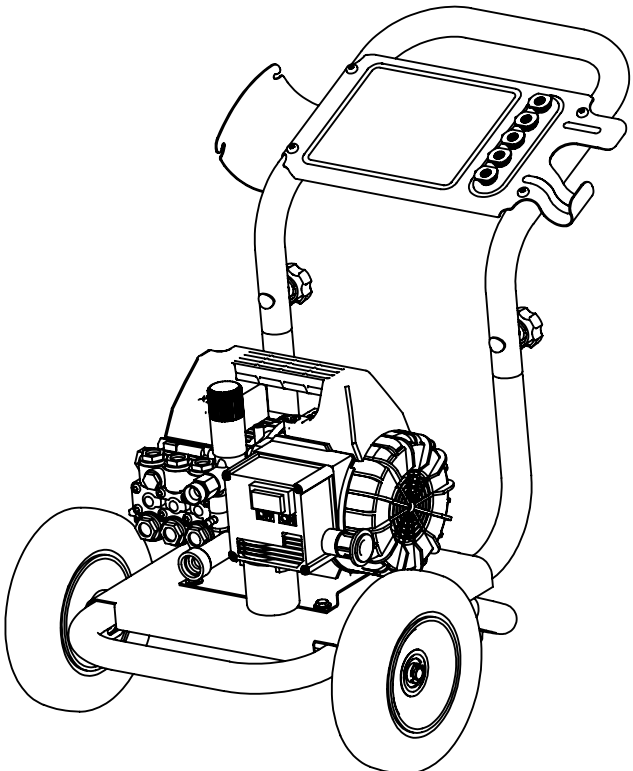
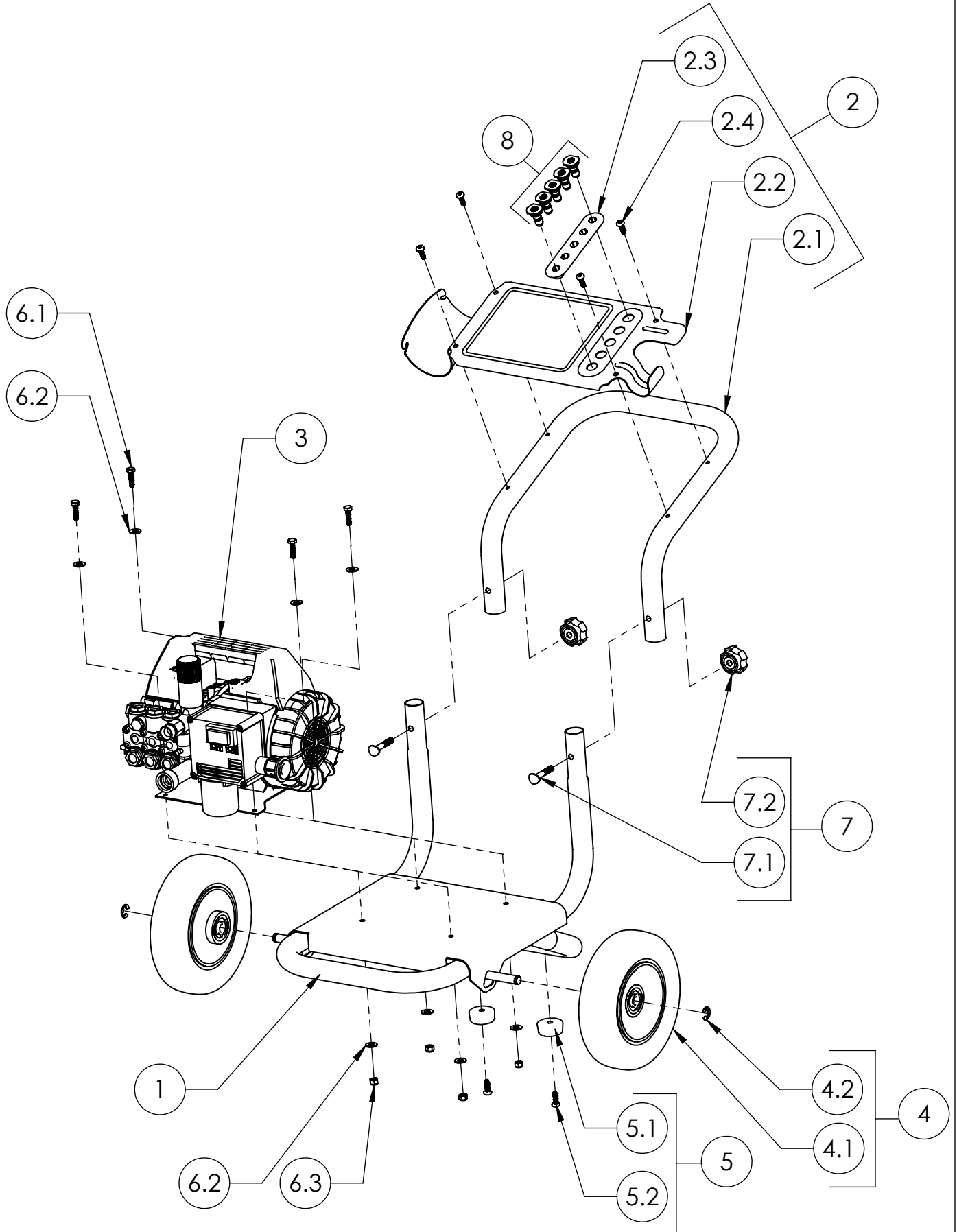


ITEM	PART NO	DESCRIPTION	QTY.
1	7105589	FRAME, SVC ASSY F/BLACK W/LABELS	1
2	7105839	HANDLE, REAR WITH DASHBOARD	1
2.1	7104806	HANDLE, REAR FLAT BLACK	1
2.2	7104813	PLATE, DASHBOARD, YELLOW	1
2.3	7103161	HOLDER, RUBBER, NOZZLES	1
2.4		SCREW, 1/4-20 TORX PANHEAD	4
3	7102287	MOTOR/PUMP 1000PSI @2.1GPM	1
4	7106054	WHEEL, SERVICE KIT	2
4.1	7104085	WHEEL, FOAM FILLED	1
4.2		CLIP, E-TYPE	1
5	7103292	HARDWARE KIT, FOOT	2
5.1	7102424	FOOT, RUBBER	1
5.2		SCREW, 1/4-20	1
6	7105841	HARDWARE KIT, MOTOR/PUMP MOUNT	1
6.1		BOLT 1/4-20	4
6.2		WASHER 1/4	8
6.3		NUT, NYLOCK 1/4	4
7	7104570	HARDWARE KIT, HANDLE MOUNTING	2
7.1		BOLT, SADDLE	2
7.2		NUT, HAND TIGHT	2
8	7101683	NOZZLE SET, 5 PC. 4.0	1
9	7104847	GUN, 3000PSI M22 (M) INLET, M22(F) OUTLET	1
10	7103550	LANCE, 3100PSI, 16" 1/4QC	1
11	7103797	HOSE, 3000PSI, 9/32 X 25FT	1
12	7102207	SOAP HOSE AND FILTER KIT	1
13	7102045	TOOL, NOZZLE CLEANING TOOL	1
14	7105624	MANUAL, OPERATOR 1200E SPECIFIC	1
15	7105604	BOX, SHIPPING DXPW1200E	1

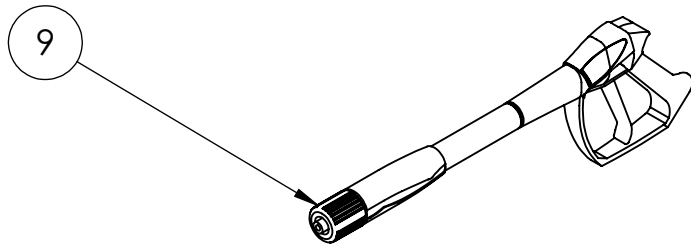
†
†
†
†
†
†
†



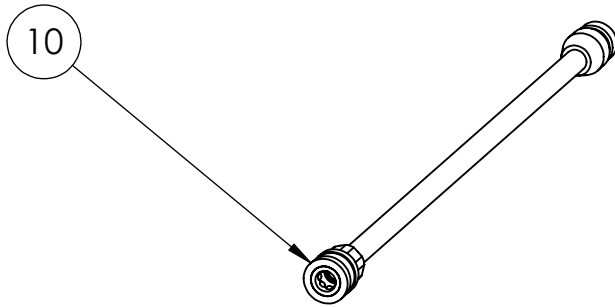
FNA-GROUP 1265 INDUSTRIAL STREET, DECATUR, AR 72722		
TITLE: DXPW1200E		
DRAWN: MAV 9/28/2012 CHECKED: M.G. 10/16/2012 ENG APPR.: S.W. 10/16/2012 MFG APPR.: - Q.A. APPR.: JCP 10/16/2012 SERVICE APPR.: D.H. 10/03/2012	PROPRIETARY AND CONFIDENTIAL THE INFORMATION CONTAINED IN THIS DRAWING IS THE SOLE PROPERTY OF FNA-GROUP. ANY REPRODUCTION IN PART OR AS A WHOLE WITHOUT THE WRITTEN PERMISSION OF FNA-GROUP IS PROHIBITED.	
SIZE: A SCALE: N/A	DWG. NO.: 60607-S ECN#: DC12-0122	REV.: A SHEET 1 OF 5



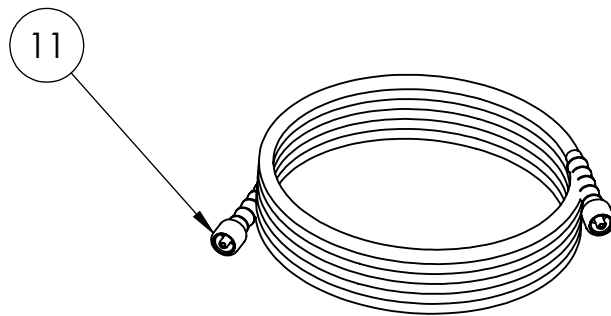
SIZE	DWG. NO.	REV.
A	60607-S	A
SCALE: N/A	ECN# DC12-0122	SHEET 2 OF 5



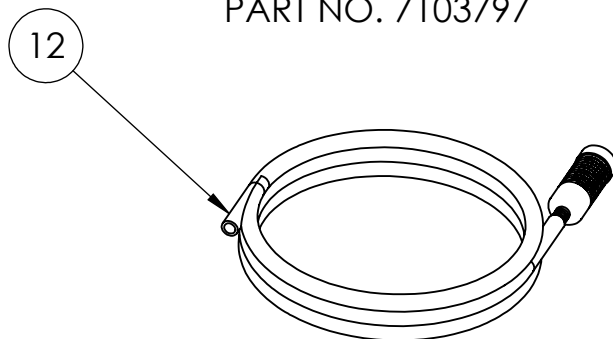
GUN, 3000PSI M22(M) INLET, M22(F) OUTLET
PART NO. 7104847



LANCE, 16" 1/4 QC, M22(M)
PART NO. 7103550



HOSE 3000PSI, 9/32 X 25FT, M22
PART NO. 7103797



SOAP HOSE AND FILTER KIT
PART NO. 7102207

SIZE A	DWG. NO. 60607-S	REV. A
SCALE: N/A	ECN#	DC12-0122
SHEET 3 OF 5		