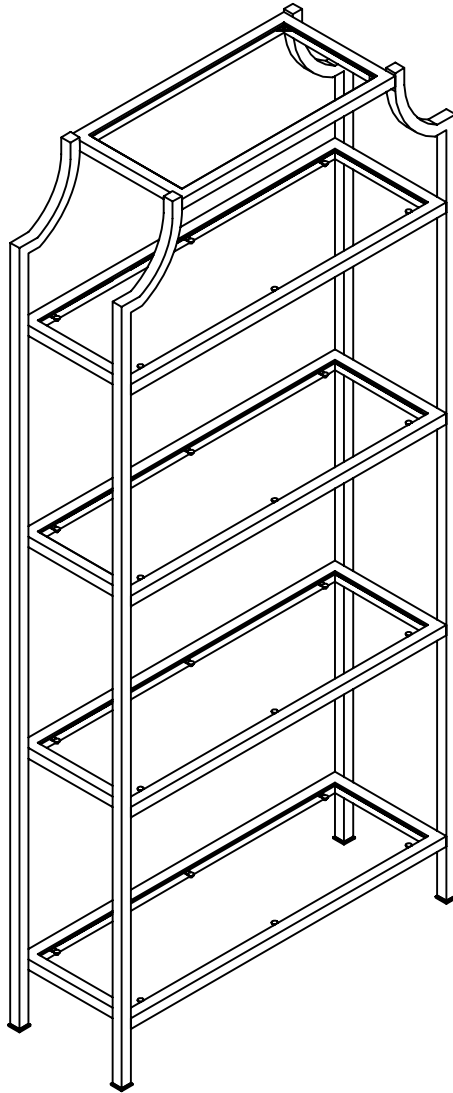
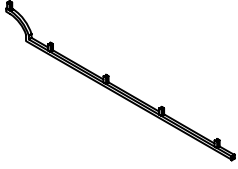
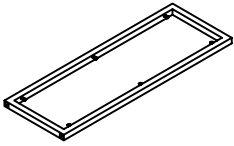
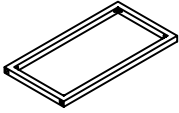
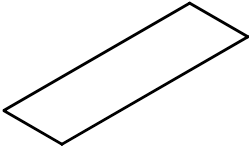
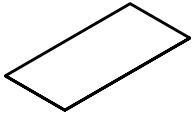




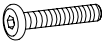


Glass Shelving Unit
CF6101



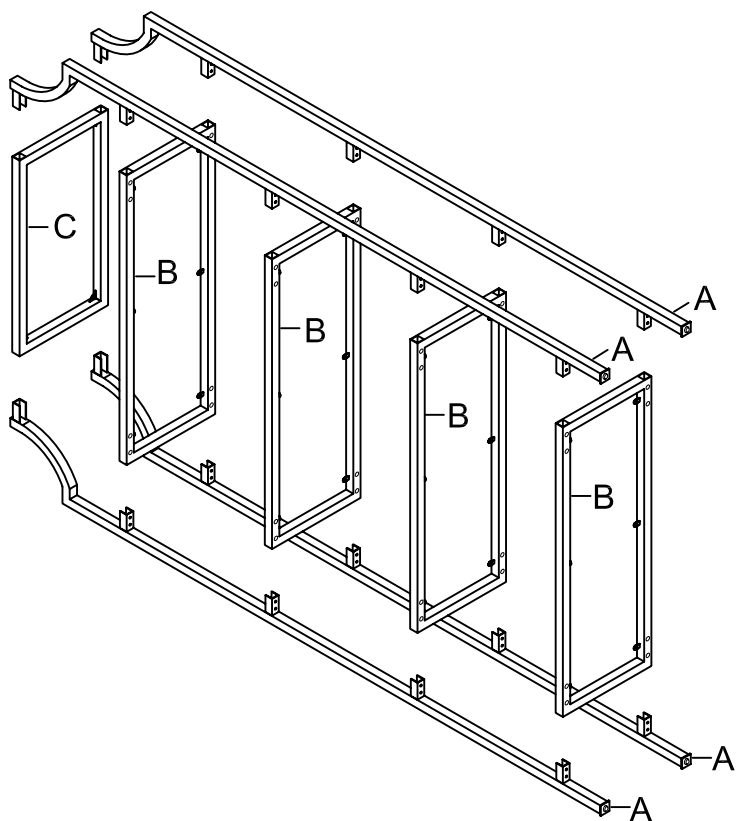
PART LIST

<p>A</p> 	<p>B</p> 	<p>C</p> 	<p>D</p> 	<p>E</p> 
<p>Leg 4 pcs</p>	<p>Shelf Frame 4 pcs</p>	<p>Top Shelf Frame 1 pc</p>	<p>Glass Shelf 4 pcs</p>	<p>Top Glass Shelf 1 pc</p>

HARDWARE LIST

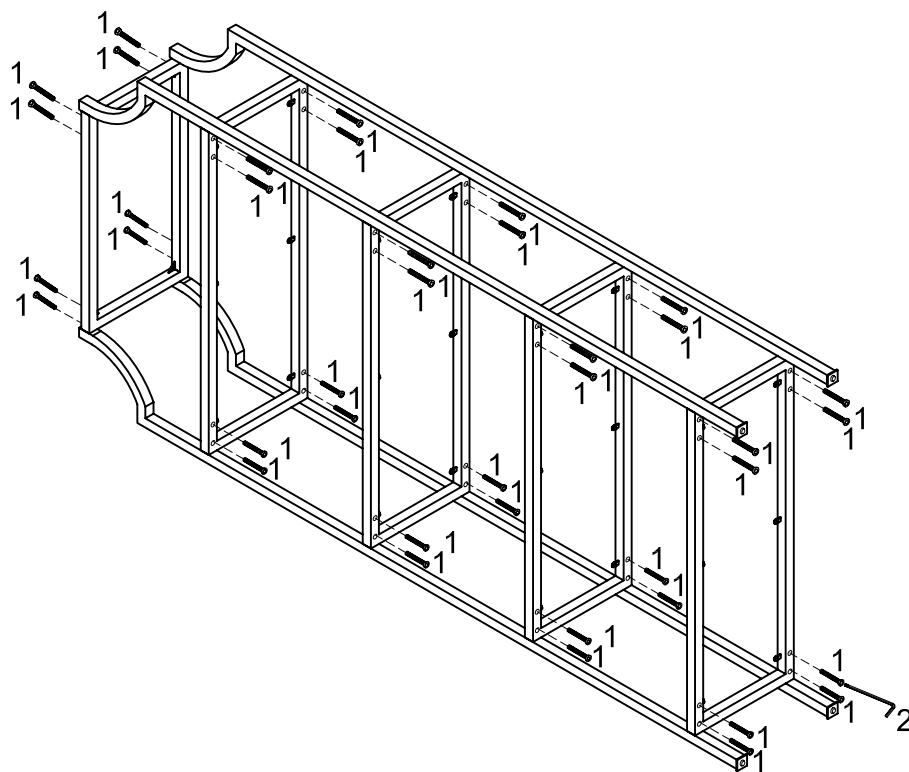
<p>1</p>  <p>1/2"xØM6xD10</p>	<p>2</p> 	<p>3</p> 
<p>Bolt 42 pcs (Extra 2)</p>	<p>Allen Wrench 1 pc</p>	<p>Safety Strap Kit 1 set</p>

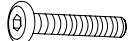
Step 1. Lay 2 legs(part#A) down on a flat surface. Insert top shelf frame(part#C) and all shelf frames(part#B) into brackets of the legs(part#A). Attach remaining 2 legs(part#A) by inserting brackets into top shelf frame(part#C) and shelf frames(part#B).



Step 2. Attach top shelf frame(part#C) and shelf frames(part#B) to the legs(part#A) by using bolts (part#1) and allen wrench(part#2). Bolts(part#1) will be inserted from the opposite direction for top shelf frame(part#C) only.

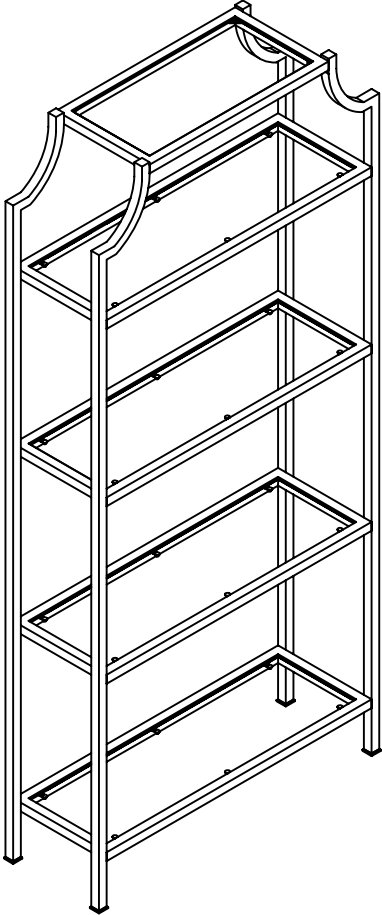
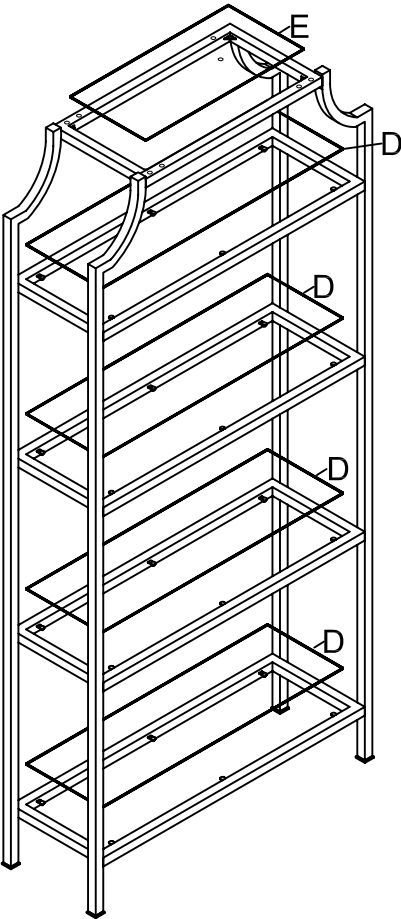
Note: Please do not fully tighten bolts until all of them are in place.




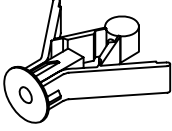
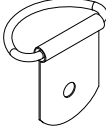

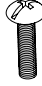

#1  x 40

#2  x 1

Step 3. Carefully turn unit upright. Install glass shelves(part#D) and top glass shelf(part#E) into the frame as shown below.



Step 4.

3	A	B	C	D	E
					
SAFETY STRAP KIT 1SET	WALL ANCHOR 1PC	HOOK 2PCS	D8*1-1/2" SCREW 1PC	D10*1/2" BOLT 1PC	SAFETY WALL STRAP 1PC

SAFETY WALL STRAP INSTALLATION

Note: It is highly recommended to install this safety strap kit to prevent tipping, damage and/or injury.

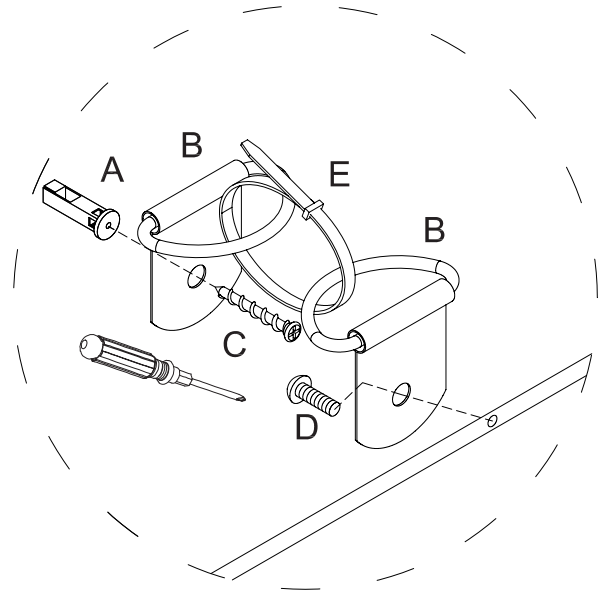
1) Insert bolt(D) through hook(B) and using a philips screwdriver, attach it to the predrilled hole in the top shelf frame(part#C) of the frame.

2) Drill a 11/32" hole in the wall where this unit will be secured. The drilled hole will be at the same height as the hole in the top shelf frame(part#C) where the hook(B) was attached. Tap wall anchor (A) into the drilled hole.

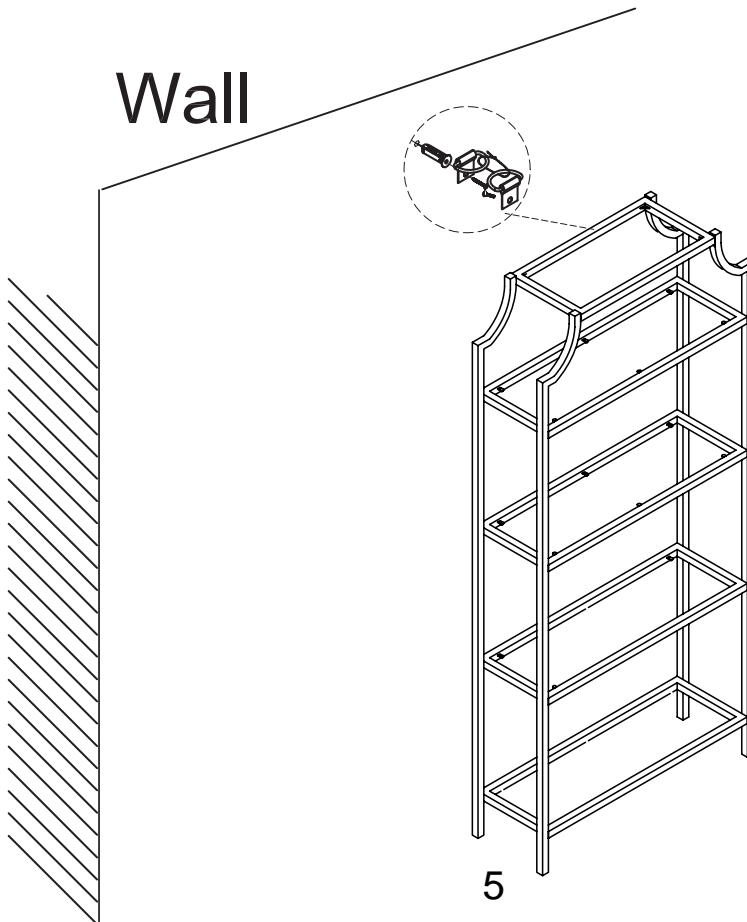
3) Insert screw(C) through hook(B) into the wall anchor(A) using a philips screwdriver.

4) Insert safety wall strap(E) through both hooks(B) and tighten to secure.

Note: This item is not intended for clothing storage use.



Wall



WARNING	
	<p>WARNING</p> <p>Children have died from furniture tipover. To reduce the risk of furniture tipover:</p> <ul style="list-style-type: none"> • ALWAYS install tipover restraint provided. • NEVER put a TV on this product. • NEVER allow children to stand, climb or hang on drawers, doors, or shelves. • NEVER open more than one drawer at a time. • Place heaviest items in the lowest drawers. <p><i>This is a permanent label. Do not remove!</i></p>
	