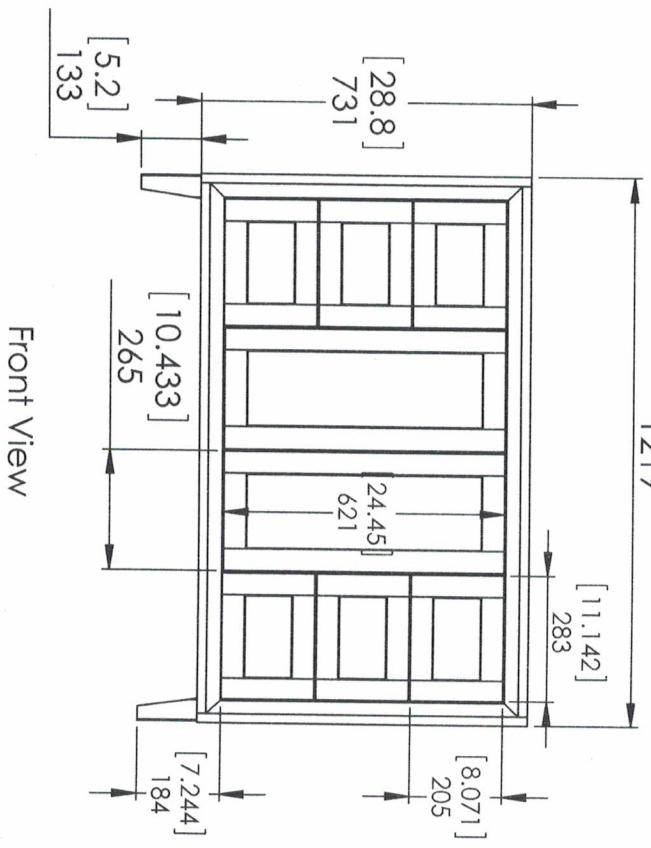
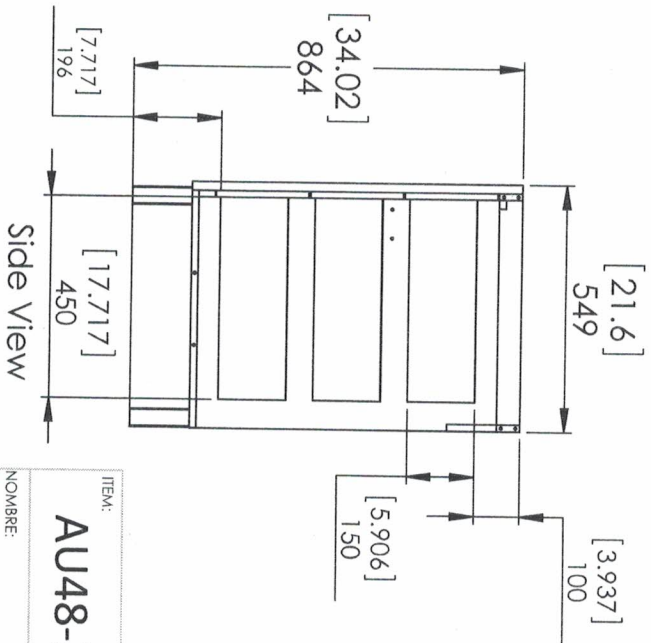


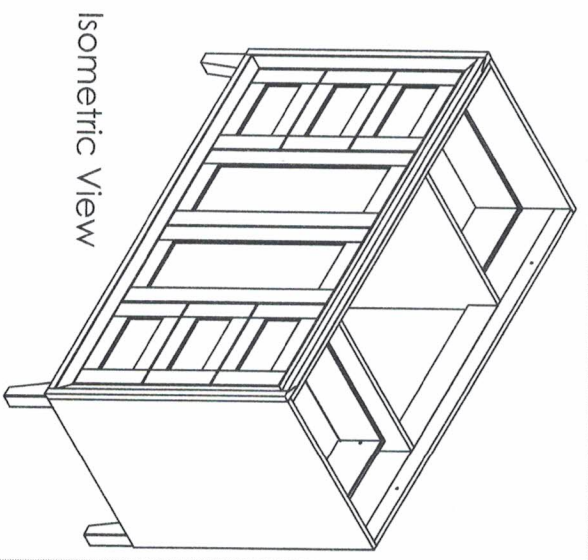
Top View



Front View



Side View



Isometric View



ITEM: **AU48-BL/GP** REV: **A**

NOMBRE: **Austell Vanity 48in**

MATERIAL:

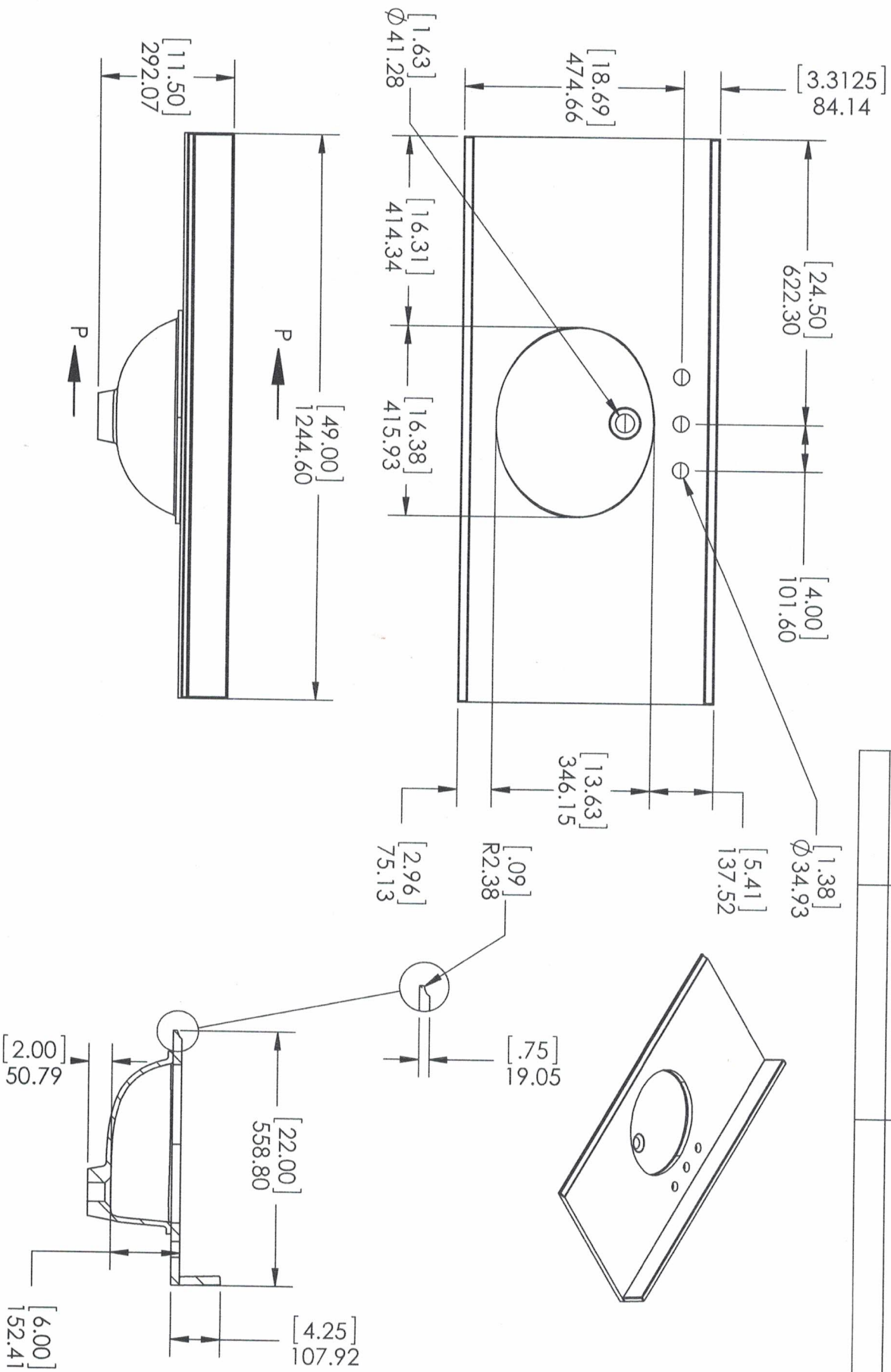
| | | |
|-----|-----|----------|
| DWR | R2G | 10/11/16 |
| REV | R&D | 10/11/16 |
| APP | ING | 10/11/16 |

SCALE: 1:20

MODEL:

Austell Vanity 48 in

| Rev # | Approved by | Change |
|-------|-------------|----------|
| 0 | R. Rubio | Released |
| | | |
| | | |



PROPRIETARY AND CONFIDENTIAL

THE INFORMATION CONTAINED IN THIS DRAWING IS THE SOLE PROPERTY OF WOODCRAFTERS. ANY REPRODUCTION IN PART OR AS A WHOLE WITHOUT THE WRITTEN PERMISSION OF WOODCRAFTERS IS PROHIBITED.

| DRAWN | NAME | DATE |
|--------------|----------|----------|
| R. Rubio | R. Rubio | 08/22/16 |
| CHECKED | | |
| R. Rubio | R. Rubio | 08/22/16 |
| ENG. APPROV. | | |
| R. Rubio | R. Rubio | 08/22/16 |
| MFC. APPROV. | | |
| C. Lead | C. Lead | 08/22/16 |

Wood Crafters.

SHEET DWG. NO. A Vico Stone Effect Oval 49-22

SHEET 1 OF 3

REV: 0