

decora plus™ Antimicrobial Treated Devices



Antimicrobial Treated Decora Plus switch and Decora wallplate are made with antimicrobial additives to reduce the growth of harmful bacteria on their surfaces. Antimicrobial treated devices are certified by NSF International to meet sanitation requirements for use in food handling and processing environments.



New frameless design eliminates area most prone to dirt and grime buildup, contributing to a cleaner look

Wallplate Features

Stainless Steel wallplate protected with antimicrobial polyurethane powder coating

Mounting screws protected with antimicrobial polyurethane powder coating

Available in 1-gang and 2-gang configurations

Powder coating resists fingerprints and has been tested to ISO 7784.2 for durability

Common Applications

- Healthcare Facilities
- Educational Institutions
- Hospitality Facilities
- Commercial Kitchens
- Nurseries
- Bathrooms



*Switch and wallplate sold separately

Switch Features

- 20 Amp, 120/277 Volt
- Single pole and 3-Way configurations available
- Rocker material embedded with silver ion antimicrobial additive



Ordering Information

| Switches | | |
|----------|-------------|-----------|
| Color | Single Pole | 3-Way |
| White | A5621-2W | A5623-2W |
| Ivory | A5621-2I | A5623-2I |
| Red | A5621-2R | A5623-2R |
| Gray | A5621-2GY | A5623-2GY |

| Wallplates | |
|-----------------------------------|-----------|
| Description | Cat. No. |
| 1-Gang, Stainless Steel | 84401-A40 |
| 2-Gang, Stainless Steel | 84409-A40 |
| 1-Gang EMERGENCY, Stainless Steel | 84401-E4A |

Antimicrobial Treated Devices from Leviton are manufactured by incorporating silver ions (Ag+) as the antimicrobial agent in the product material. This material has been tested to show a consistent [3 log (>99.9%)] microbial reduction rate against a broad range of bacteria pursuant to the JIS Z 2801:2000 test protocol.

Specifications

Switches

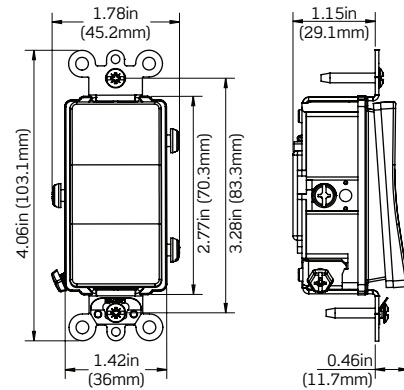
| Catalog Number | Single Pole (A5621) & 3-Way (A5623) |
|---------------------------------------|---|
| Electrical Specifications | |
| Amperage | 20A |
| Voltage | 120/277V AC |
| Dielectric Voltage | Withstands 1500V for 1 minute |
| Overload UL 20 | 100 cycles of OL at 4.8 times rated current |
| Temperature Rise | Maximum 30 °C rise |
| Endurance | 50,000 cycles minimum |
| AC Horsepower Ratings | 1 HP @ 120V, 2 HP @ 240V-277V |
| Environmental Specifications | |
| Flammability | UL 94 HB Flammability Rating |
| Operating Temperature | -40 °C to 65 °C |
| Storage Temperature | -40 °C to 65 °C |
| Material Specifications | |
| Rocker Material | Antimicrobial Urea |
| Cam Material | Thermoplastic |
| Body Material | Thermoplastic Polyester |
| Strap Material | .050" Thick Galvanized Steel |
| Contacts | Silver Alloy |
| Terminal Screws | Brass 8-32 |
| Grounding Screw | Steel 8-32 |
| Ground Clip | Brass |
| Mechanical Specifications | |
| Terminal Accom | #14-#10 AWG back wired; #14-12 AWG side wired |
| Torque Range | 12-14 inch pounds |
| Terminal ID | Brass-Hot Black-Hot White-Neutral Green-Gnd |
| Product ID | Stamped on Strap |
| Standards & Certifications | |
| NEMA | WD-1 & WD-6 |
| NSF | 169 - Special Purpose Food Equipment and Devices |
| UL Standard | UL 20 |
| CSA C22.2 No 111 | File # 152105 |
| NOM | NOM-ANCE |
| JIS Z 2801:2000 | Test for Antimicrobial Activity and Efficacy |
| ISO 22196 | Measurement of Antibacterial Activity on Plastics and Other Non-Porous Surfaces |
| Warranty | |
| Product Warranty | 10-Year Limited |

Wallplates

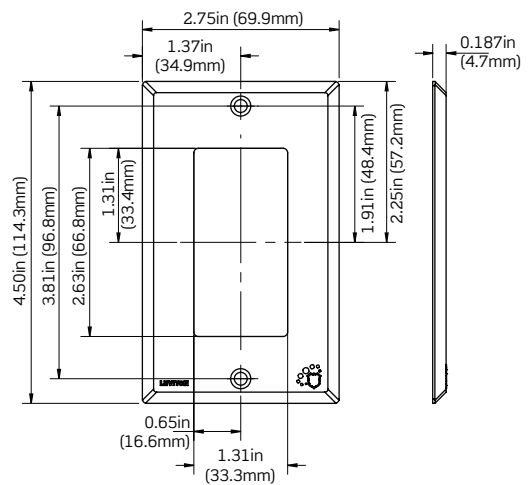
| Catalog Number | 1-Gang (84401) and 2-Gang (84409) |
|---------------------------------------|---|
| Material Specifications | |
| Material | Stainless Steel coated with Antimicrobial Polyurethane Powder Coating |
| Standards & Certifications | |
| NSF | 169 - Special Purpose Food Equipment and Devices |
| UL Standard | UL 514D |
| CSA | CSA C22.2 No. 42.1-13 |
| JIS Z 2801:2000 | Test for Antimicrobial Activity and Efficacy |
| ISO 22196 | Measurement of Antibacterial Activity on Plastics and Other Non-Porous Surfaces |
| Warranty | |
| Product Warranty | 10-Year Limited |

Dimensions

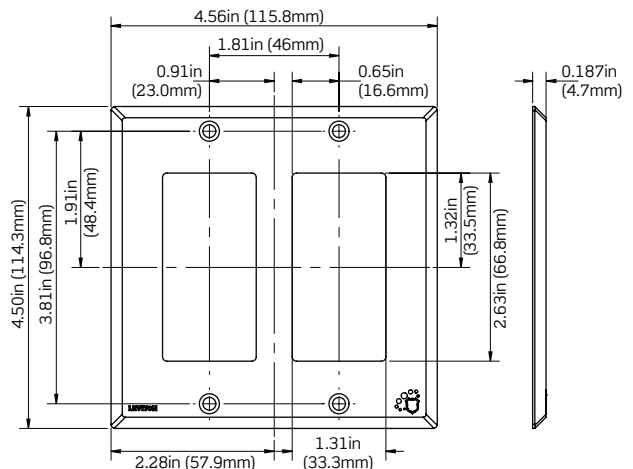
Front View, Measurements Typical Single Pole & 3-Way Toggles



Front View & Side View, 1-Gang Wallplate



Front View & Side View, 2-Gang Wallplate



Visit our Website at:

www.leviton.com/antimicrobial

email: antimicrobial@leviton.com

Q-962

062215

Leviton Manufacturing Co., Inc.

201 N Service Rd, Melville, NY 11747

Telephone: 1-800-323-8920 • FAX: 1-800-832-9538

Tech Line (8:30AM-7:30PM E.S.T. Monday-Friday): 1-800-824-3005

© 2015 Leviton Manufacturing Co., Inc. All rights reserved.

