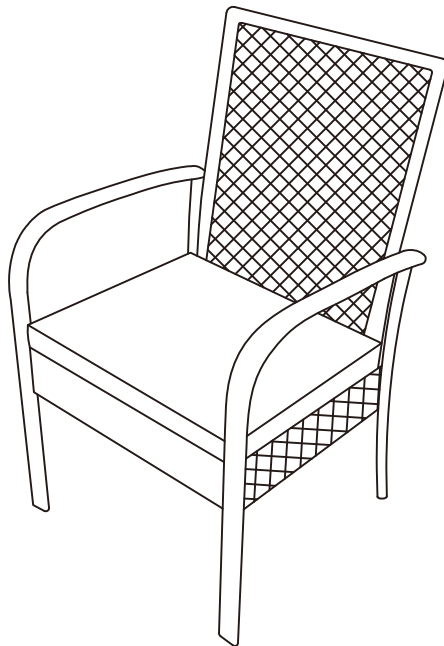
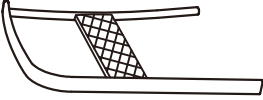
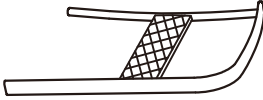
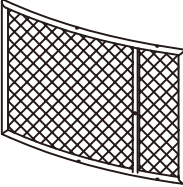






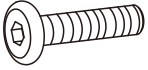

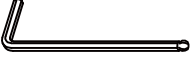
Outdoor Wicker Dining Chair
CO7177



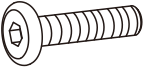

PART LIST

A 	B 	C 	D 	E 
Left Arm Panel 1 PC	Right Arm Panel 1 PC	Back Panel 1 PC	Seat Panel 1 PC	Seat Cushion 1 PC

HARDWARE LIST

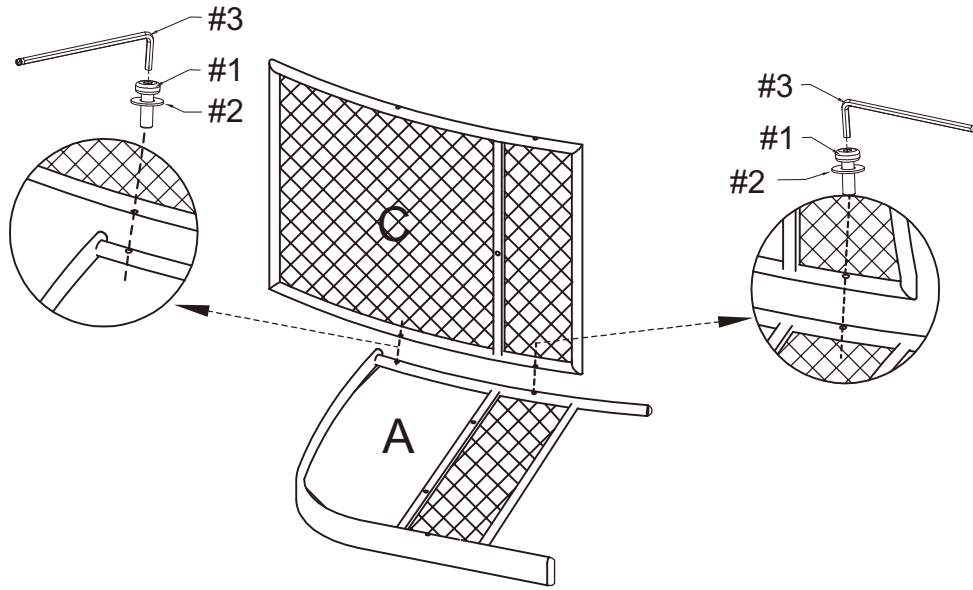
#1  M6*35mm	#2  M6mm	#3  M6mm
Bolt 11 PCS	Washer 11 PCS	Allen Wrench 1 PC

EXTRA HARDWARE LIST

#1  M6*35mm	#2  M6mm
Bolt 1 PC	Washer 1 PC

Step 1. Lay left arm panel (part A) down on a soft flat surface, such as carpet, as shown below. Attach back panel (part C) to left arm panel (part A) using bolts (part #1), washers (part #2) and allen wrench (part #3).

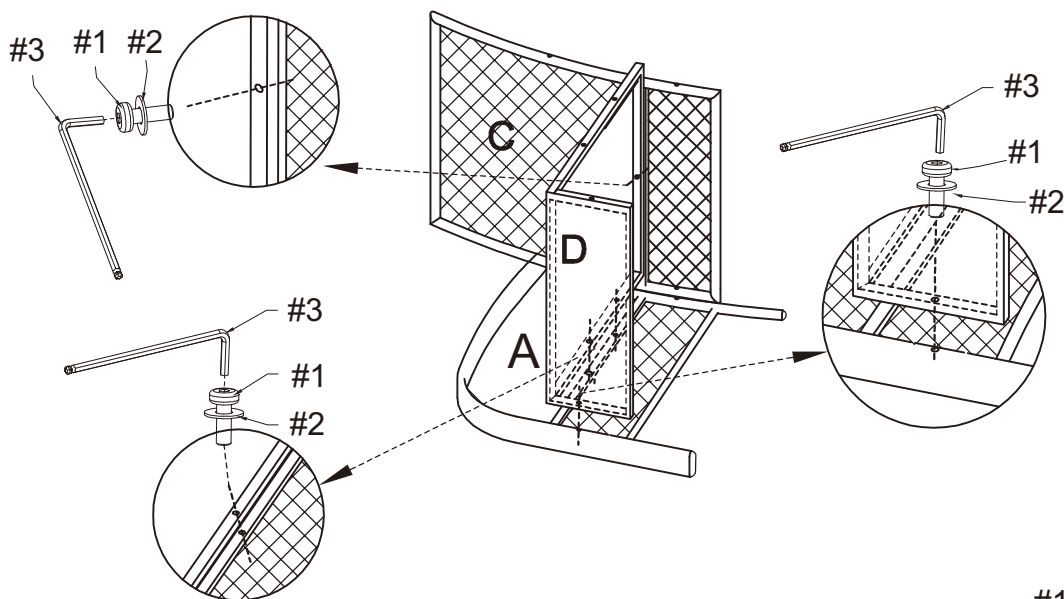
NOTE: Please do not fully tighten bolts until unit is fully assembled.



- | | | |
|----|---|----|
| #1 |  | x2 |
| #2 |  | x2 |
| #3 |  | x1 |

Step 2. Attach seat panel (part D) to left arm panel (part A) and back panel (part C) using bolts (part #1), washers (part #2) and allen wrench (part #3).

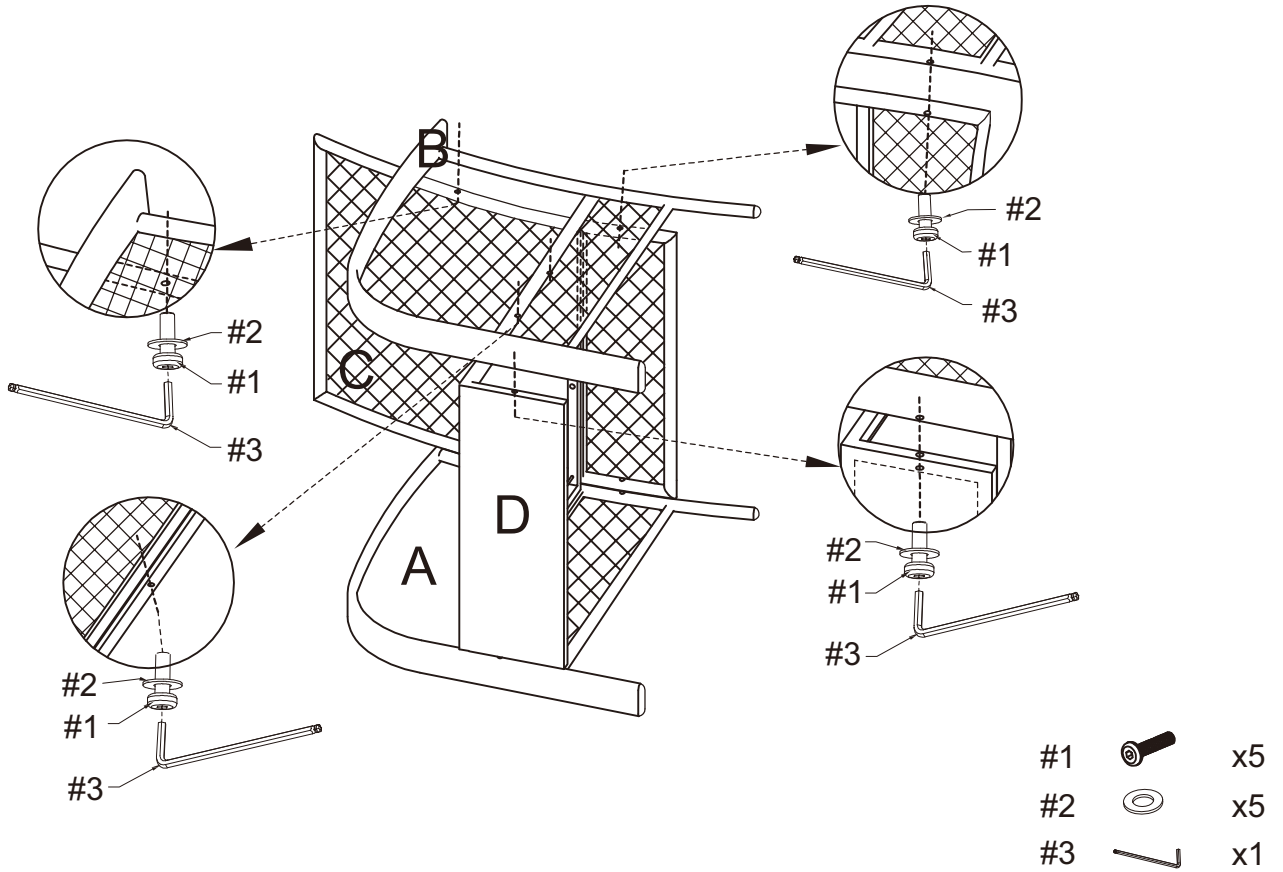
NOTE: Please do not fully tighten bolts until unit is fully assembled.



- | | | |
|----|---|----|
| #1 |  | x4 |
| #2 |  | x4 |
| #3 |  | x1 |

Step 3. Attach right arm panel (part B) to back panel (part C) and seat panel (part D) using bolts (part #1), washers (part #2) and allen wrench (part #3).

NOTE: Please fully tighten all bolts at this time.



Step 4. Carefully turn the chair upright and place seat cushion (part E) on the chair.

