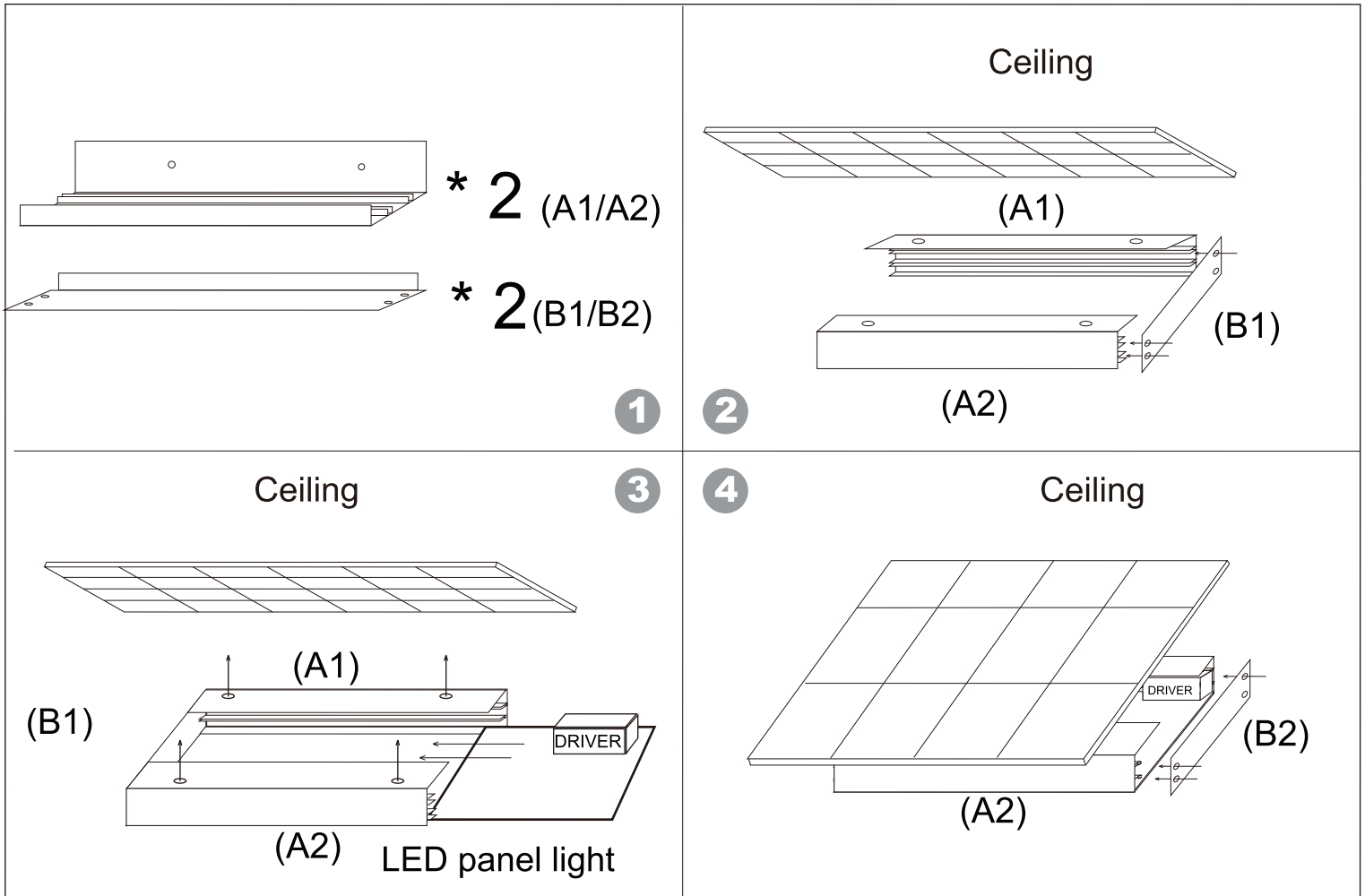
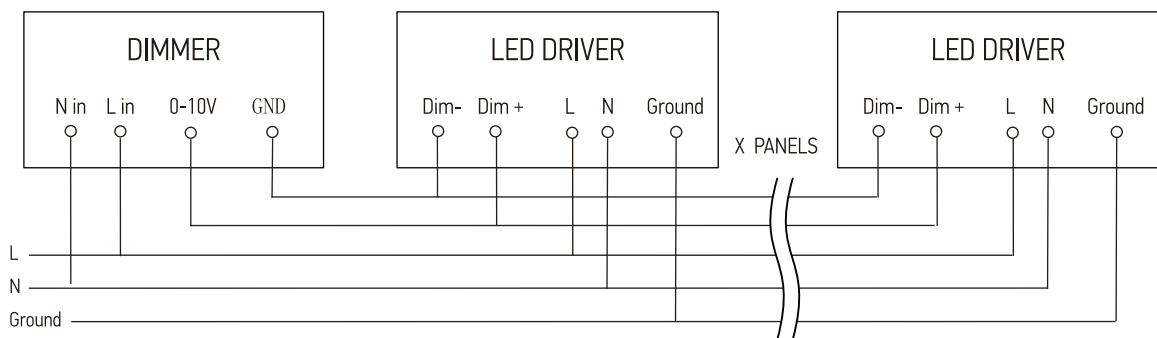


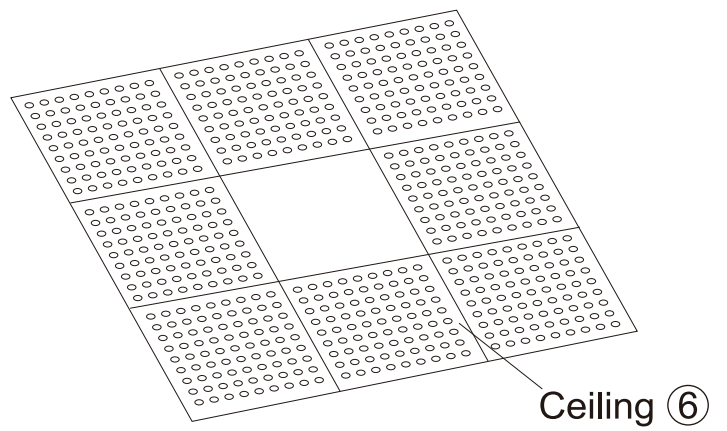
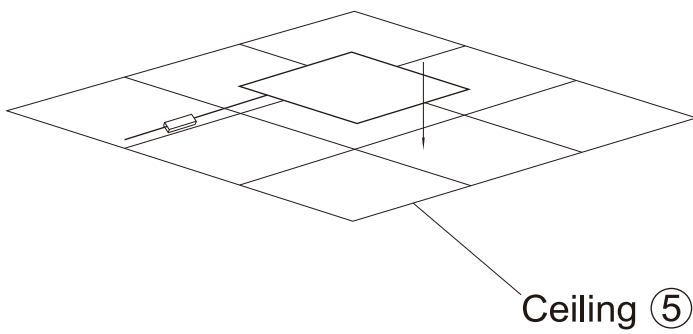
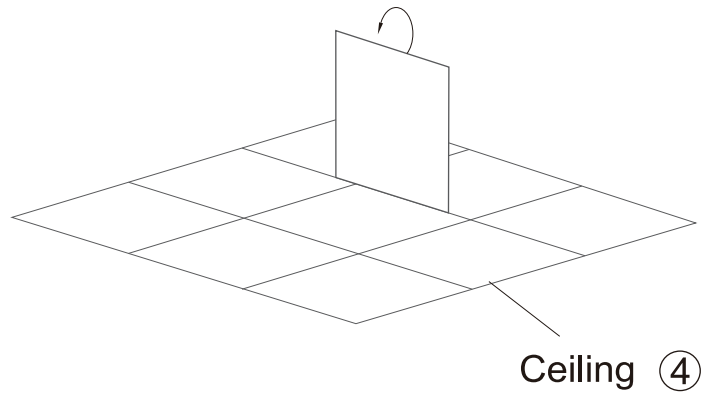
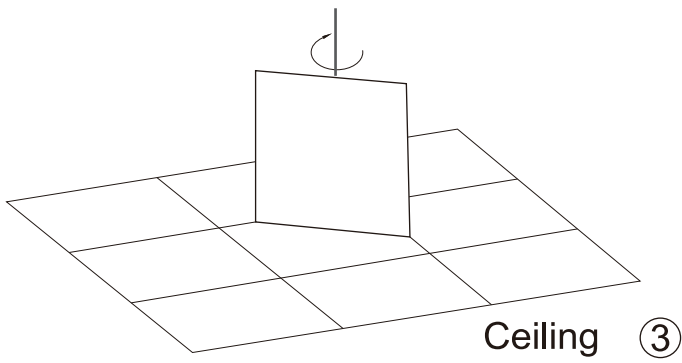
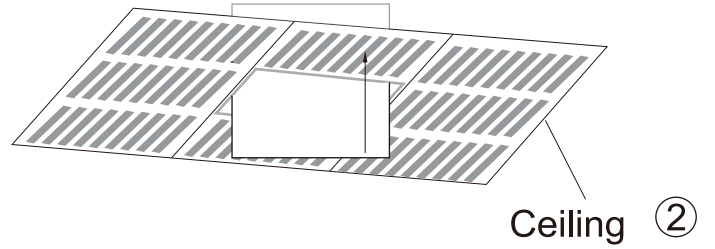
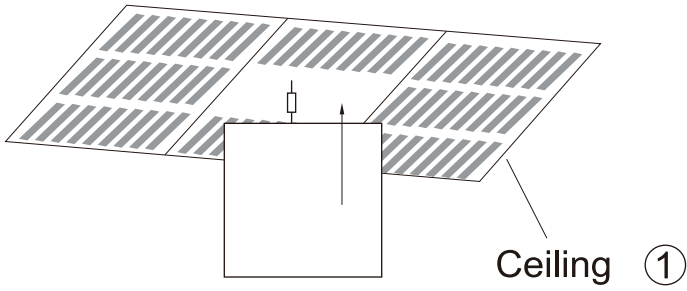
Surface Mount



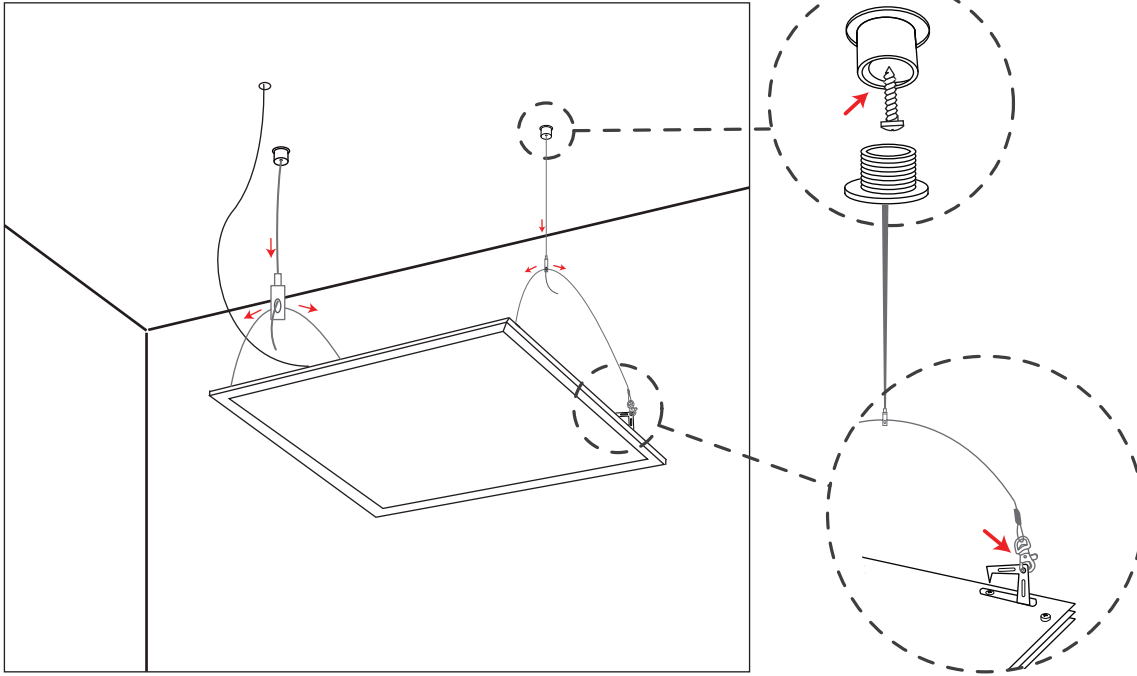
Electrical Schematic Diagram



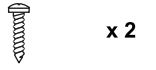
Recessed Mount



Suspension Mount



Accessories Set



x 2

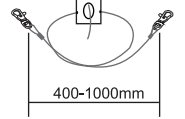


x 2



x 2

600-1000mm



400-1000mm