

TOOLS REQUIRED

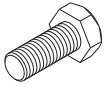


Safety goggles

HARDWARE INCLUDED



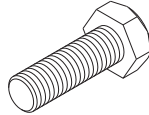
NOTE: Hardware not shown to actual size.



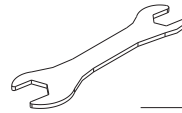
AA



BB



CC



DD

Part	Description	Quantity
AA	Bolt M6 x 15L	4
BB	Washer	16
CC	Bolt M8 x 20L	16
DD	10MM/13MM Wrench	1

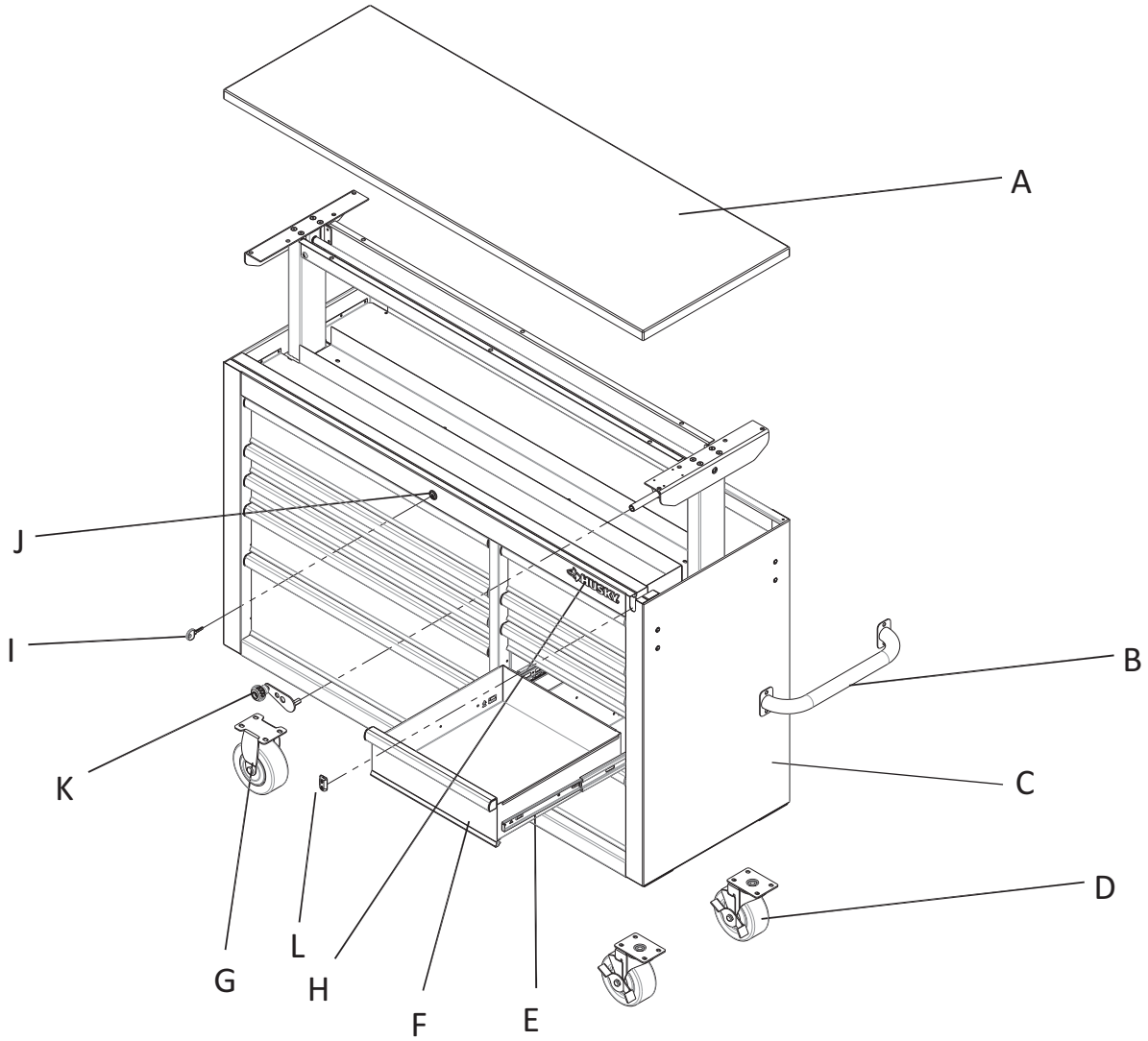
SPECIFICATIONS

Maximum capacity (drawer)	75 lbs
Maximum capacity (bottom deep drawers)	100 lbs
Maximum capacity (elevating wood top)	300 lbs
Maximum capacity (total unit)	1,000 lbs



NOTE: Begin product assembly close to the final intended location of your mobile workbench. This product is heavy and may be difficult to move after assembly.


PACKAGE CONTENTS

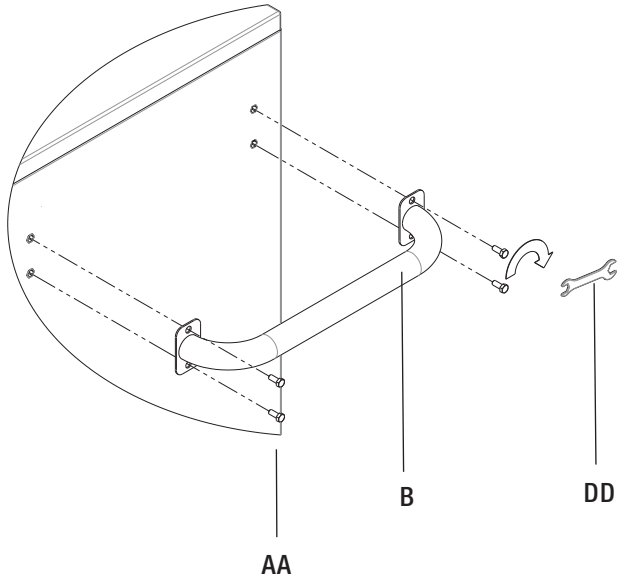


Part	Description	Quantity
A	Wood top	1
B	Side handle	1
C	Rolling cabinet	1
D	Swivel caster with brake	2
E	Drawer slide 75 lbs (pair)	12
F	Drawer	10
G	Rigid caster	2
H	Husky badge	1
I	Key (set)	1
J	Lock	1
K	Crank handle	1
L	Crank cap	1


1 Attaching the side handle

- Attach the side handle (B) to the cabinet using four bolts (AA).
 - Tighten all bolts with the 10 mm wrench (DD).
- Do not over tighten the bolts to avoid damage to the finish.

 **NOTE:** The holes in the cabinet are tapped and do not require nuts.

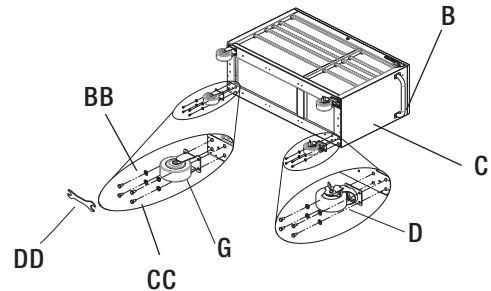


2 Installing the casters

 **Warning:** Two or more people may be required for this step due to the weight of the workbench.

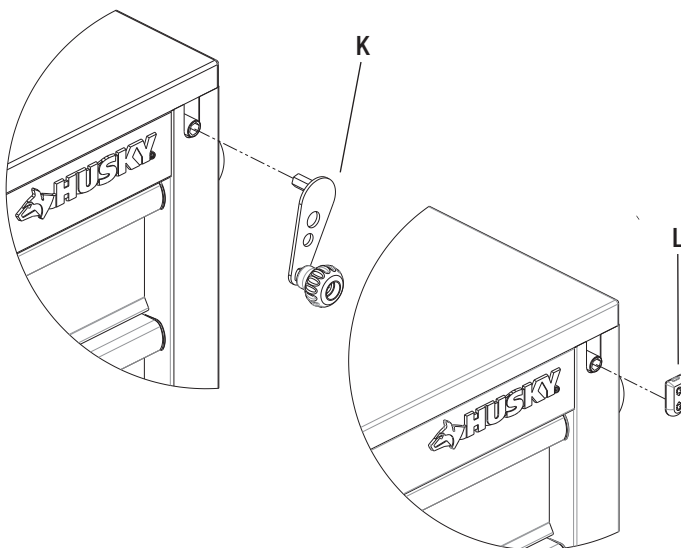
 **CAUTION:** Do not over tighten the screws.


- Ensure all cabinet drawers are securely locked into place using the key (I) and lock (J) on the rolling cabinet (C).
- Lay the rolling cabinet (C) on its back on top of the packaging material to protect the finish.
- Mount the two swivel casters with brake (D) to the rolling cabinet (C) using four bolts (CC) and washers (BB) per caster. The swivel casters with brake (D) should be installed on the same side as the side handle (B).
- Mount the two rigid casters (G) to the rolling cabinet (C) using four bolts (CC) and washers (BB) per caster.
- Tighten all bolts with a 13 mm wrench (DD).
- Return the rolling cabinet (C) to its upright position.



3 Installing the crank handle or crank cap

- Install the crank handle (K) or crank cap (L) into the shaft next to the Husky badge.



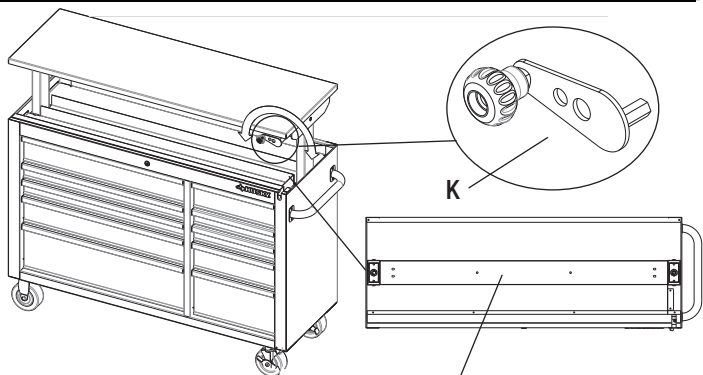
 **NOTE:** Store the crank handle (K) or crank cap (L) in one of the drawers when not in use.

1 Adjusting the height of the wood top work surface

- Insert the crank handle (K) into the shaft near the Husky badge and align it in the hole until it is engaged.
- To raise the work surface, turn the crank handle counterclockwise to the desired height (38 in.-48 in.)
- To lower the work surface, turn the crank handle clockwise until it reaches the desired height or rests back on top of the rolling cabinet.
- When fully lowered, remove the crank handle and place the crank cap back over the shaft.
- To avoid damage, do not keep turning the crank handle once it has rested on top of the cabinet.



NOTE: Some minor squeaking is normal when operating the crank.



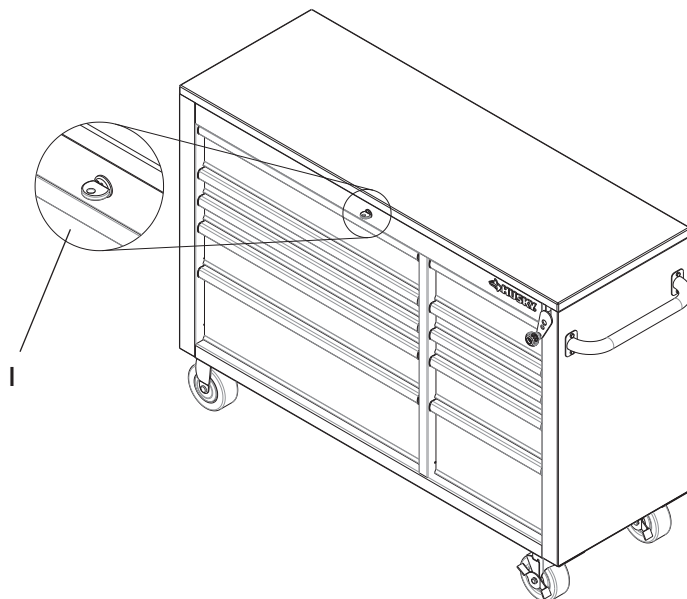
WARNING: There is no storage in the center tray. Use front and back trays only for storage.

2 Locking and unlocking the unit



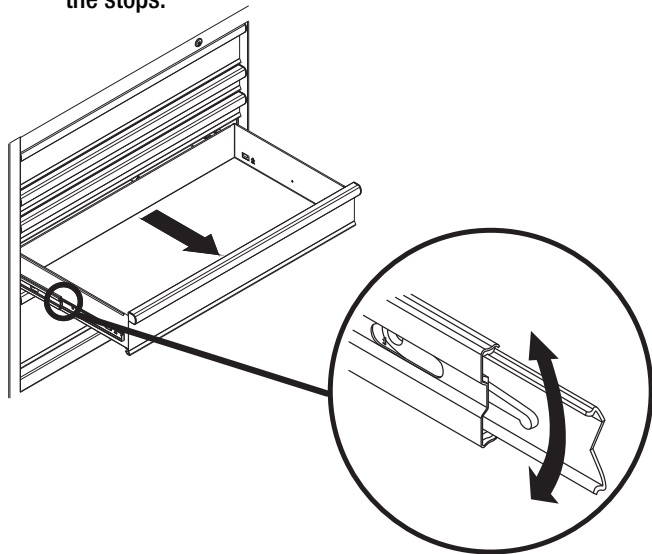
IMPORTANT: The drawers must be fully closed before locking / unlocking the unit.

- To lock the unit, insert the key (I) into the lock (J) and turn it one quarter turn counterclockwise. Then remove the key.
- To unlock the unit, insert the key (I) into the lock (J) and turn it one quarter turn clockwise. Then remove the key.



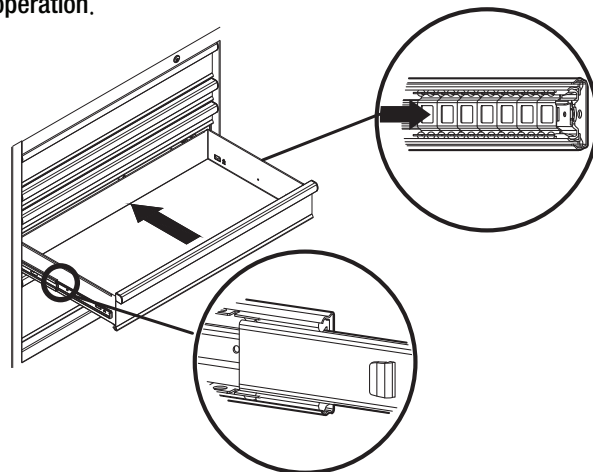
3 Removing the drawers

- Fully extend and empty the drawer.
- On the slide, lift up the plastic release lever on one side and push down the plastic release lever on the other side. Gently pull the drawer out so the slides can ride over the stops.



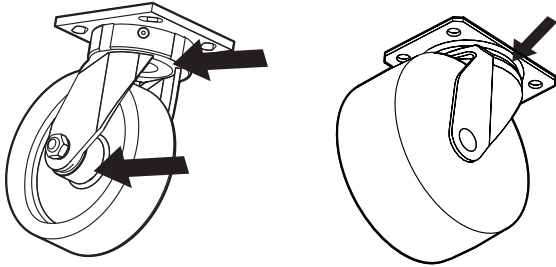
4 Installing the drawers

- Pull the slides and slide carrier out until fully extended.
- Hold the slide on the cabinet while aligning it with the slide on the drawer.
- Slightly insert one side and repeat for the other side.
- Slowly push the drawer until it is fully closed to engage the slide.
- Open the drawer and close it to verify proper operation.



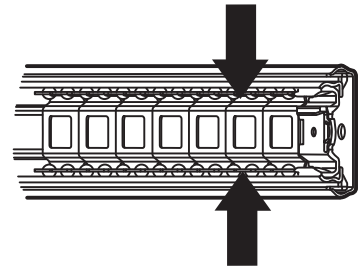
1 Maintaining the casters

- Grease the casters annually using high quality bearing grease.



2 Maintaining the drawers

- Periodically clean the drawer trim and inside the drawers with a mild detergent and water.
- Remove grease and oil with a standard, nonflammable cleaning fluid.
- The use of drawer liners is recommended to protect the finish inside the drawers and make the drawers easier to clean. Drawer liners can be purchased at The Home Depot.
- Lubricate the slides semi-annually with grease or equivalent.



Care and Cleaning

- This steel product has been coated with industrial powder coating for a durable finish. To help protect this finish, do not allow harsh chemicals such as oil or grease to remain on the powder coating surface. Use a glass cleaner (Windex® or equivalent product) to clean and maintain all powder coated surfaces.
- The wood top is made of Parawood (also called Rubberwood) which has a polyurethane coating to help protect it from moisture. It can be cleaned with most household cleaners, such as Windex® .
- The crank gears and shafts are lubricated at the factory and sealed inside the unit. They do not require normal lubrication maintenance. Some squeaking is normal when operating the crank.