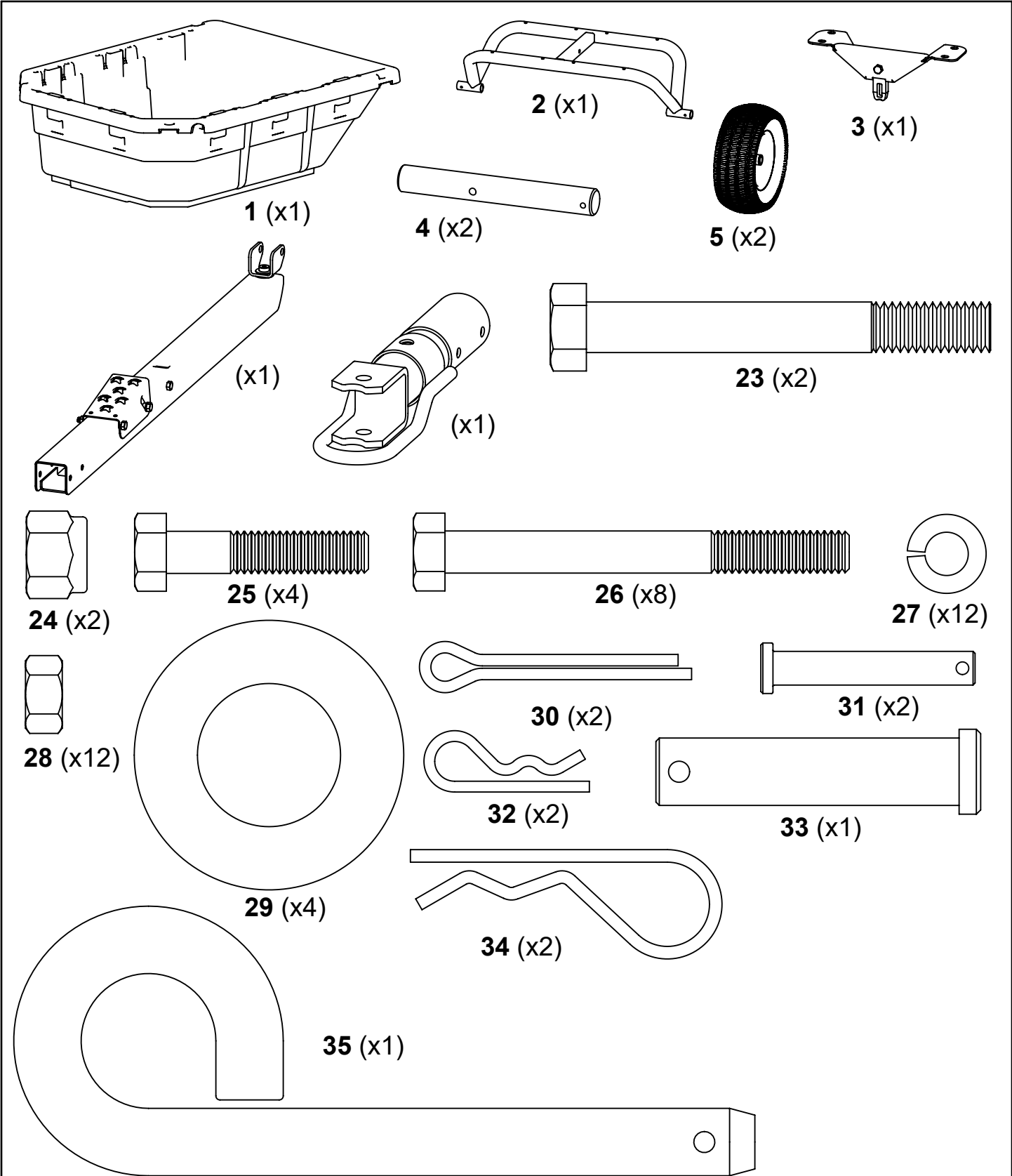


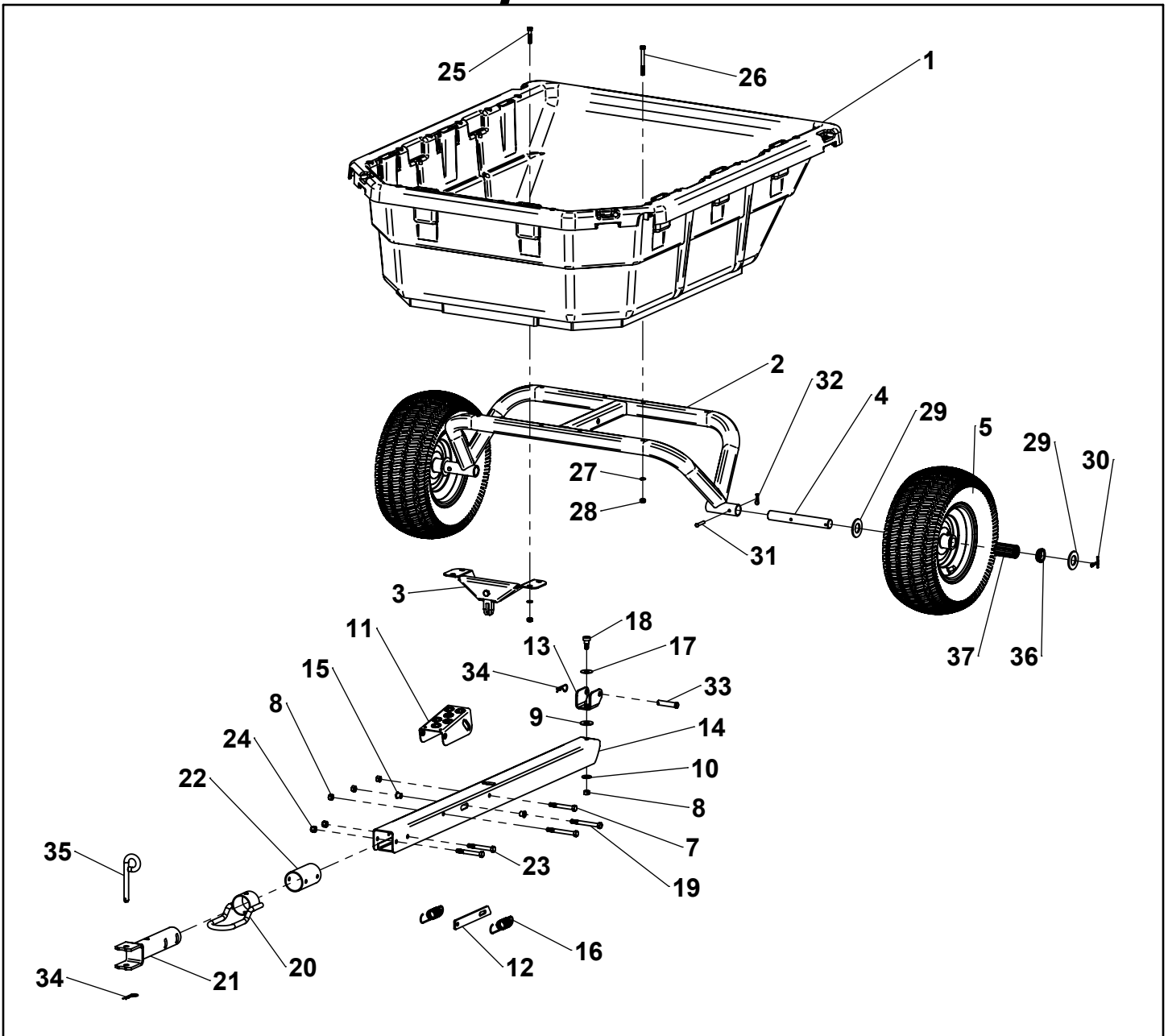
Carton Contents



TOOLS REQUIRED FOR ASSEMBLY:

- 1/2" Wrench and Socket
- 9/16" Wrench and Socket
- Needle-Nose Pliers
- Grease Gun

Repair Parts



ITEM	PART NO	DESCRIPTION	QTY	ITEM	PART NO	DESCRIPTION	QTY
1	311161	POLY BODY	1	20	6000536-B2	KEEPER WELDMENT	1
2	6000320-B2	UNDERCARRIAGE	1	21	6000534-B2	HYBRID HITCH	1
3	6000311-B2	FRONT SUPPORT ASSEMBLY	1	22	6000379	HITCH BUSHING	1
4	6000367	STUB AXLE	2	23		3/8"-16 X 3" HEX BOLT	2
5	6000301	WHEEL (BEARING/BUSHINGS INC.)	2	24		NYLOCK NUT, 3/8"-16	2
7		3/8"-16 X 3" HEX BOLT	1	25		5/16"-18 X 1-1/2" HEX BOLT	4
8		NYLOCK NUT, 3/8"-16	4	26		5/16"-18 X 3" HEX BOLT	8
9		WASHER, 1/2" FLAT	1	27		5/16" SPLIT LOCKWASHER	12
10		WASHER, 3/8" FLAT	1	28		HEX NUT, 5/16"-18	12
11		FOOT PEDAL	1	29	KIT 6000462	WASHER, 1" SAE	4
12	KIT 6000323-BG	LATCH	1	30		COTTER PIN, 3/16" X 1-1/2"	2
13		CLEVIS, SWIVEL	1	31		CLEVIS PIN, 1/4" X 1-1/2"	2
14		DRAWBAR, WELDED	1	32		HAIRPIN COTTER, 1-3/16"	2
15		3/8" FLANGED BUSHING	2	33		CLEVIS PIN, 1/2" X 2"	1
16		SPRING, LATCH	2	34		HAIRPIN COTTER, 2-5/16"	2
17		SPRING WASHER, 1/2"	1	35		HITCH PIN	1
18		SHOULDER BOLT, 1/2"	1	36	KIT 6000818	1" BEARING RETAINER	4
19		3/8"-16 X 3-1/2" HEX BOLT	2	37		1" ROLLER BEARING	2