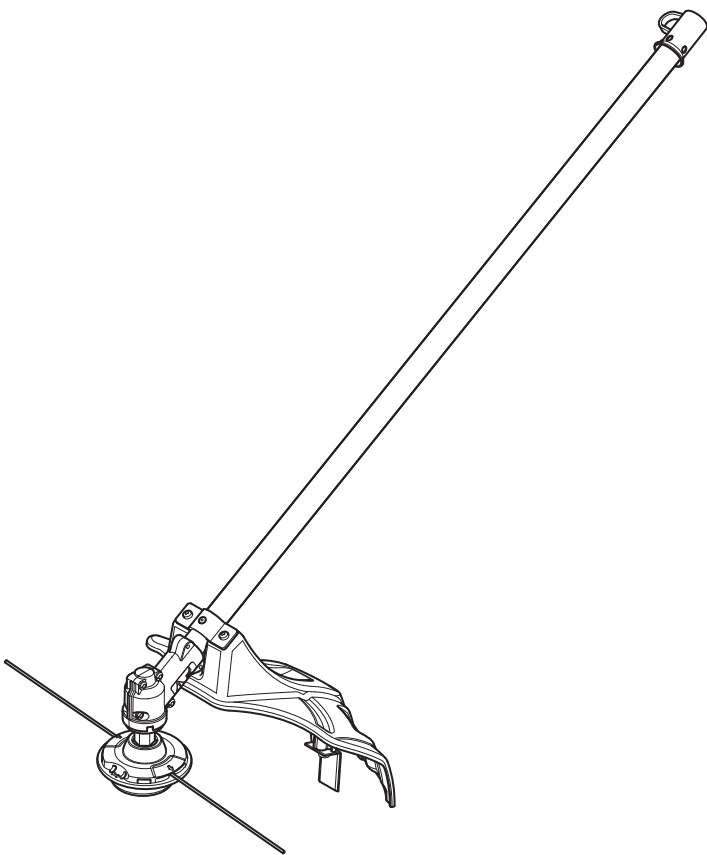


# Operator's Manual

## Straight-Shaft Extended-Reach Trimmer Attachment

### TABLE OF CONTENTS

Service .....	1
Safety .....	2
Know Your Unit .....	5
Specifications .....	5
Assembly .....	6
Operation .....	8
Maintenance .....	9
Cleaning and Storage .....	10
Warranty .....	12



## SAVE THESE INSTRUCTIONS

### SERVICE

**DO NOT RETURN THIS UNIT TO THE RETAILER. PROOF OF PURCHASE WILL BE REQUIRED FOR WARRANTY SERVICE.**

For assistance regarding the assembly, controls, operation or maintenance of the unit, please call the Customer Support Department at **1-800-800-7310** in the United States or **1-800-668-1238** in Canada. Additional information about the unit can be found on our website: **www.mtdproducts.com** (U.S.) or **www.mtdproducts.ca** (Canada).

For service, please call the Customer Support Department to obtain a list of authorized service dealers near you. Service on this unit, both within and after the warranty period, should only be performed by an authorized and approved service dealer. When servicing, use only identical replacement parts.

All information, illustrations, and specifications in this manual are based on the latest product information available at the time of printing. We reserve the right to make changes at any time without notice.

Copyright© 2013 MTD SOUTHWEST INC, All Rights Reserved.

**IMPORTANT: Read this manual thoroughly before using this product. Follow all instructions.**

## SAFETY

The purpose of safety symbols is to attract your attention to possible dangers. The safety symbols, and their explanations, deserve your careful attention and understanding. The safety warnings do not by themselves eliminate any danger. The instructions or warnings they give are not substitutes for proper accident prevention measures.

SYMBOL	MEANING
--------	---------

	<b>DANGER:</b> Signals an EXTREME hazard. Failure to obey a safety <b>DANGER</b> signal <b>WILL</b> result in serious injury or death to yourself or to others.
--	--

	<b>WARNING:</b> Signals a SERIOUS hazard. Failure to obey a safety <b>WARNING</b> signal <b>CAN</b> result in serious injury to yourself or to others.
--	---


	<b>CAUTION:</b> Signals a MODERATE hazard. Failure to obey a safety <b>CAUTION</b> signal <b>MAY</b> result in property damage or injury to yourself or to others.
--	---

**NOTE:** Advises you of information or instructions vital to the operation or maintenance of the equipment.

**Read the operator's manual and follow all warnings and safety instructions. Failure to do so can result in serious injury to the operator and/or bystanders.**

## • IMPORTANT SAFETY INSTRUCTIONS •

### READ ALL INSTRUCTIONS BEFORE OPERATING

	<b>WARNING:</b> When using the unit, all safety rules must be followed. Please read these instructions before operating the unit in order to ensure the safety of the operator and any bystanders. Please keep these instructions for later use.
--	--

- Carefully read and understand the operator's manual of the unit that powers this attachment.
- Read the instructions carefully. Be familiar with the controls and proper use of the unit.
- Do not operate this unit when tired, ill or under the influence of alcohol, drugs or medication.
- Children must not operate the unit. Teens must be accompanied and guided by an adult.
- All guards and safety attachments must be installed properly before operating the unit.
- Inspect the unit before use. Replace damaged parts. Check for fuel leaks. Make sure all fasteners are in place and secure. Replace parts that are cracked, chipped, or damaged in any way. Do not operate the unit with loose or damaged parts.
- Carefully inspect the area before starting the unit. Remove all debris and hard or sharp objects such as glass, wire, etc.
- Only use the trimming line described in the *Specifications* section of this manual. Never use metal-reinforced line, wire, chain or rope. These can break off and become dangerous projectiles.
- Be aware of the risk of injury to the head, hands and feet.
- Clear the area of children, bystanders and pets; keep them outside a 50-foot (15 m) radius, at a minimum. Even then, they are still at risk from thrown objects. Encourage bystanders to wear eye protection. If you are approached, stop the unit immediately.

### SAFETY WARNINGS FOR GAS UNITS

	<b>WARNING:</b> Gasoline is highly flammable and its vapors can explode if ignited. Take the following precautions:
---	---

- Store fuel only in containers specifically designed and approved for the storage of such materials.
- Always stop the engine and allow it to cool before filling the tank. Never remove the fuel tank cap or add fuel when the engine is hot. Always loosen the fuel tank cap slowly to relieve any pressure in the tank before fueling.
- Always mix and add fuel in a clean, well-ventilated outdoor area where there are no sparks or flames. **DO NOT** smoke.
- Never operate the unit without the fuel cap securely in place.
- Avoid creating a source of ignition for spilled fuel. Wipe up any spilled fuel from the unit immediately, before starting the unit. Move the unit at least 30 ft. (9.1 m) from the fueling source and site before starting the engine. **DO NOT** smoke.
- Never start or run the unit inside a closed room or building. Breathing exhaust fumes can kill. Operate this unit only in a well-ventilated outdoor area.

## SAFETY WARNINGS FOR ELECTRIC UNITS



**WARNING:** To reduce the risk of electrical shock, use only extension cords approved for outdoor use, such as an extension cord of cord type SW-A, SOW-A, STW-A, STOW-A, SJW-A, SJOW-A, SJTW-W or SJTOW-A. Extension cords are available from your local retailer. Use only round-jacketed extension cords approved for outdoor use.

- **CORD SETS:** Make sure your cord set is in good condition. When using a cord set, be sure to use a cord that is heavy enough to carry the current that your unit will draw. An undersized cord set will cause a drop in line voltage resulting in loss of power and overheating. See the operator's manual for the unit that will power this attachment for the recommended cord size.
- Inspect all extension cords and the unit power connection periodically. Look closely for deterioration, cuts or cracks in the insulation. Also inspect the connections for damage. Replace the cords if any defects or damage appear.
- Prevent disconnection of the power head from the extension cord during operation by using a plug-receptacle retaining strap, connector, or by making a knot (Fig. A).
- Avoid dangerous environments. Never operate your unit in damp or wet conditions. Moisture is a shock hazard.
- Do not use the unit in the rain. Do not use in or around water.
- Do not handle the plug or unit with wet hands or standing on any wet surfaces.
- Do not leave the unit plugged in when not in use, changing attachments or while being serviced.

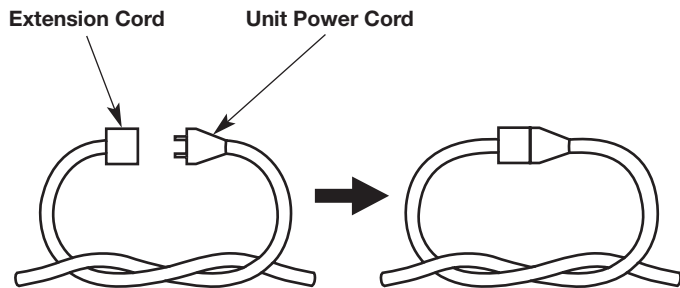


Fig. A

## WHILE OPERATING

- Wear safety glasses or goggles that meet current ANSI / ISEA Z87.1 standards and are marked as such. Wear ear/hearing protection when operating this unit. Wear a face or dust mask if the operation is dusty.
- Wear heavy long pants, boots, gloves and a long sleeve shirt. Do not wear loose clothing, jewelry, short pants, sandals or go barefoot. Secure hair above shoulder level.
- The cutting head shield must always be in place while operating the unit. Do not operate the unit without both trimming lines extended and the proper line installed. Do not extend the trimming line beyond the length of the shield.
- Adjust the handle to provide the best grip, if applicable.
- Make sure the attachment is not in contact with anything before starting the unit.
- Use the unit only in daylight or good artificial light.
- Use the right tool. Only use this tool for its intended purpose.
- Always hold the unit with both hands when operating. Keep a firm grip on both handles or grips.

- Do not overreach. Always keep proper footing and balance. Take extra care when working on stairs, steep slopes or inclines. To avoid serious injury, do not operate the unit while on a ladder or a roof.
- Keep hands, face, and feet away from all moving parts. Do not touch or try to stop moving parts.
- Do not operate the unit faster than the speed needed to do the job. Do not run the unit at high speed when not in use.
- Do not force the unit. It will do a better, safer job when used at the intended rate.
- Always stop the unit when operation is delayed or when walking from one location to another.
- If you strike or become entangled with a foreign object, stop the unit immediately and check for damage. Do not operate before repairing damage. Do not operate the unit with loose or damaged parts.
- Use only original equipment manufacturer (OEM) replacement parts and accessories for this unit. These are available from your authorized service dealer. Use of any other parts or accessories could lead to serious injury to the user, or damage to the unit, and void the warranty.
- Keep the unit clean. Carefully remove vegetation and other debris that could block moving parts.
- If the unit starts to vibrate abnormally, stop the unit immediately. Inspect the unit for the cause of the vibration. Vibration is generally an indicator of trouble.

## OTHER SAFETY WARNINGS




- Maintain the unit with care.
- All service, other than the maintenance procedures described in this manual, should be performed by an authorized service dealer.
- Never remove, modify or make inoperative any safety device furnished with the unit.
- Before inspecting, maintaining, cleaning, storing, transporting or replacing any parts on the unit:
  1. Stop the unit.
  2. Make sure all moving parts have stopped.
  3. Allow the unit to cool.
  4. For gas-powered units, disconnect the spark plug wire. For electric-powered units, disconnect the unit from the power source.
- Secure the unit while transporting.
- Never store the unit with fuel in the tank, inside a building where fumes may reach an open flame (pilot lights, etc.) or sparks (switches, electrical motors, etc.).
- Store the unit in a dry place, secured or at a height to prevent unauthorized use or damage. Keep the unit out of the reach of children.
- Never douse or squirt the unit with water or any other liquid. Keep handles dry, clean and free from debris. Clean the unit after each use. Refer to *Cleaning and Storage*. Do not use solvents or strong detergents.
- Keep these instructions. Refer to them often and use them to instruct other users. If you loan this unit to others, also loan them these instructions.

## SAVE THESE INSTRUCTIONS




• SAFETY & INTERNATIONAL SYMBOLS •

This operator's manual describes safety and international symbols and pictographs that may appear on this product. Read the operator's manual for complete safety, assembly, operating and maintenance and repair information.

**SYMBOL    MEANING**

	<ul style="list-style-type: none"> <li>• <b>SAFETY ALERT SYMBOL</b> Indicates danger, warning or caution. May be used in conjunction with other symbols or pictographs.</li> </ul>
	<ul style="list-style-type: none"> <li>• <b>READ OPERATOR'S MANUAL</b> <b>WARNING:</b> Read the operator's manual(s) and follow all warnings and safety instructions. Failure to do so can result in serious injury to the operator and/or bystanders.</li> </ul>
	<ul style="list-style-type: none"> <li>• <b>WEAR EYE AND HEARING PROTECTION</b> <b>WARNING:</b> Thrown objects and loud noise can cause severe eye injury and hearing loss. Wear eye protection meeting current ANSI / ISEA Z87.1 standards and ear protection when operating this unit. Use a full face shield when needed.</li> </ul>

**SYMBOL    MEANING**

	<ul style="list-style-type: none"> <li>• <b>THROWN OBJECTS AND ROTATING CUTTER CAN CAUSE SEVERE INJURY</b> <b>WARNING:</b> Small objects can be propelled at high speed, causing injury. Keep away from the rotating rotor.</li> </ul>
	<ul style="list-style-type: none"> <li>• <b>KEEP BYSTANDERS AWAY</b> <b>WARNING:</b> Keep all bystanders, especially children and pets, at least 50 feet (15 m) from the operating area.</li> </ul>
	<ul style="list-style-type: none"> <li>• <b>SHARP BLADE</b> <b>WARNING:</b> Sharp blade on trimmer attachment shield. To prevent serious injury, do not touch the line cutting blade.</li> </ul>

# KNOW YOUR UNIT

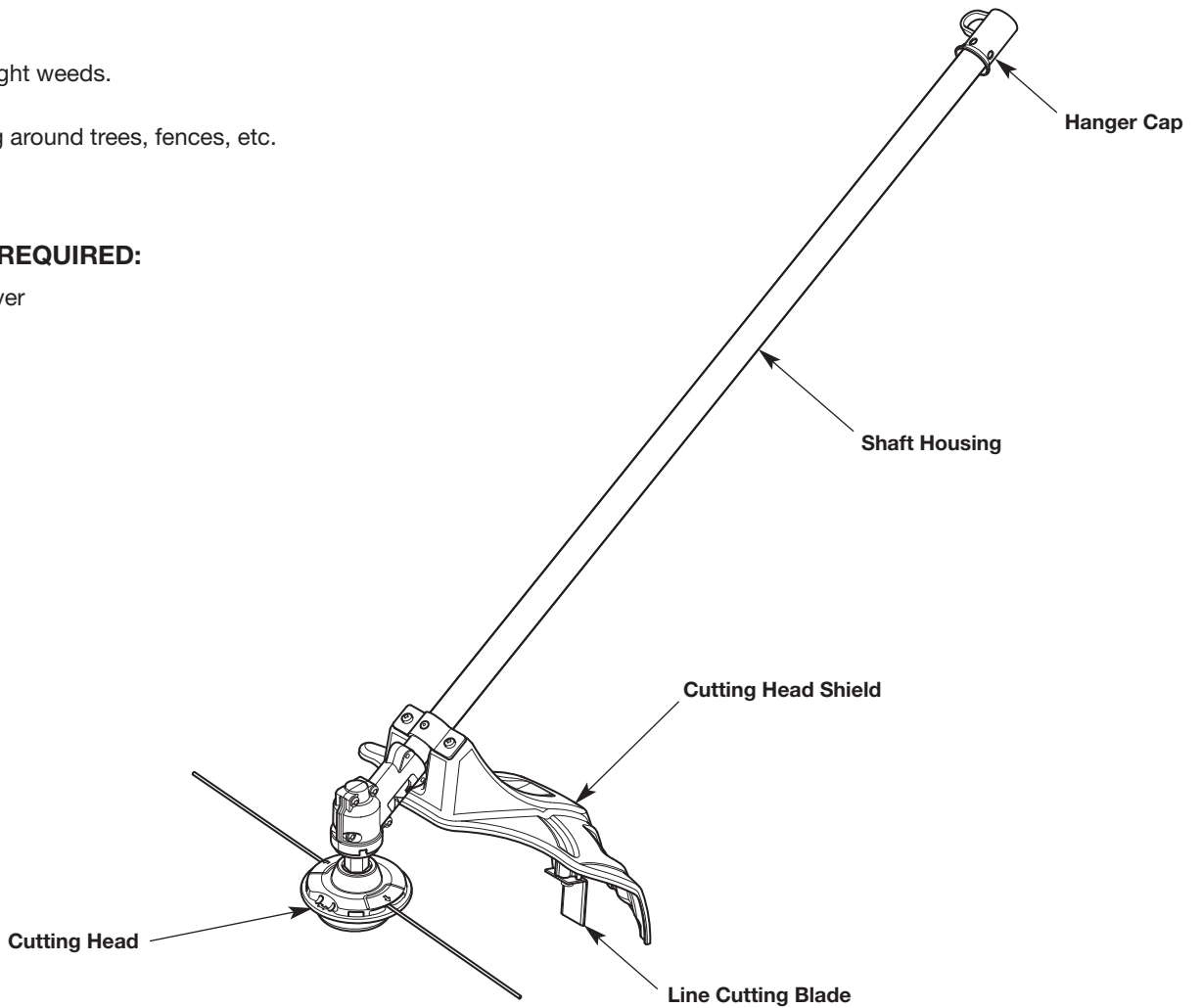
## APPLICATIONS

As a trimmer:

- Cutting grass and light weeds.
- Edging
- Decorative trimming around trees, fences, etc.

## ASSEMBLY TOOLS REQUIRED:

- #2 Phillips screwdriver



## SPECIFICATIONS\*

Approximate Unit Weight (attachment only)	3 - 4 lbs. (1.4 - 1.8 kg)
Trimmer Mechanism	Fixed-line cutting head
Trimming Line Diameter	0.105 in. (2.67 mm) pre-cut twist line
Cutting Path Diameter	16 in. (40.64 cm)

\* All specifications are based on the latest product information available at the time of printing. We reserve the right to make changes at any time without notice.

## ASSEMBLY

### INSTALLING THE CUTTING HEAD SHIELD



**WARNING:** To prevent serious personal injury, never operate the unit without the cutting head shield in place.

1. Place the cutting head shield onto the mount bracket. Align the holes in the cutting head shield with the holes in the mount bracket. (Fig. 1)
2. Screw the 2 screws through the mount bracket and into the cutting head shield until finger tight.
3. Using a #2 Phillips screwdriver, tighten the screws until the cutting head shield is firmly in place. Tighten the screws equally. The gap between the mount bracket and the cutting head shield should be the same on each side.

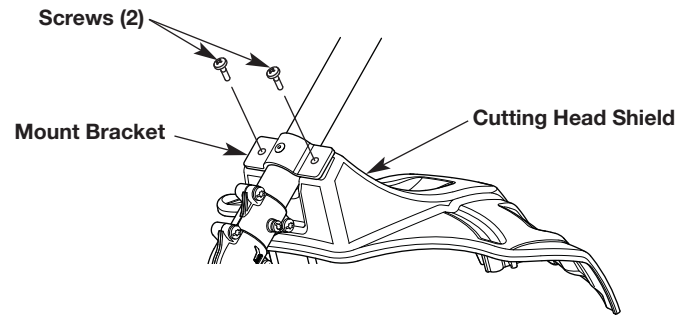


Fig. 1

**WARNING:** Before using any attachment, read and understand the manual that came with the attachment. Follow all safety information contained within.

**WARNING:** To avoid serious personal injury and damage to the unit, shut the unit off before removing or installing an attachment.

## OPERATING THE COUPLER

The coupler enables the use of various optional attachments.

### Installing the Attachment

1. Remove the hanger cap from the attachment. Keep the hanger cap for use when storing the attachment. If present, remove the gray spacer from the coupler.
2. Set the unit on a flat, level surface.
3. Turn the knob counterclockwise to loosen the coupler (Fig. 3).
4. Align the release button with the guide recess (Fig. 4).
5. Push the attachment straight into the coupler until the release button snaps firmly into the primary hole (Fig. 4).
6. Turn the knob clockwise to tighten the coupler (Fig. 3).

**NOTE:** Do not tighten the nut (Fig. 4).

**CAUTION:** Before operating the unit, make sure the release button is fully snapped into the primary hole and the knob is securely tightened.

**CAUTION:** The release button should be snapped into the primary hole only. Using the wrong hole could lead to personal injury or damage to the unit.

### Removing the Attachment

1. Set the unit on a flat, level surface.
2. Turn the knob counterclockwise to loosen the coupler (Fig. 3).
3. Press and hold the release button (Fig. 4).
4. Pull the attachment straight out of the coupler (Fig. 2).

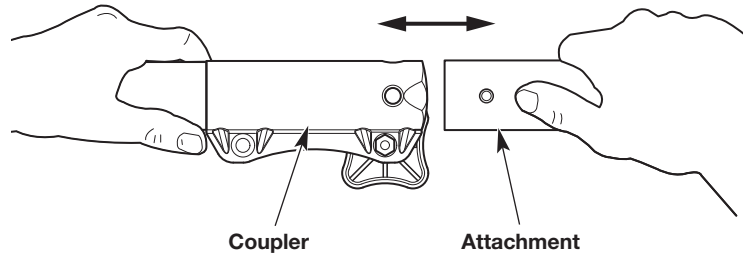


Fig. 2

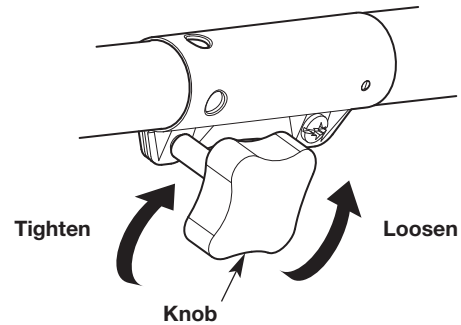


Fig. 3

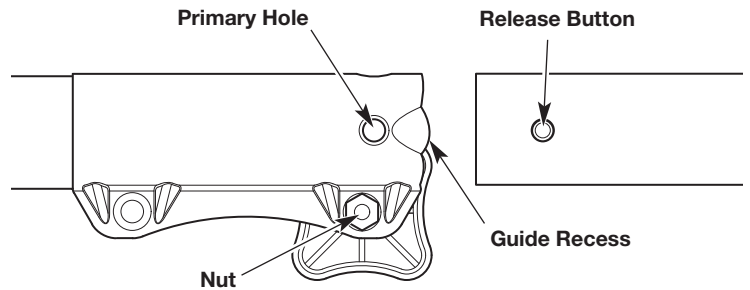


Fig. 4

## OPERATION

### HOLDING THE UNIT



**WARNING:** Always wear eye, hearing, hand, foot and body protection to reduce the risk of injury when operating this unit.

- Stand in the operating position (Fig. 5). Stand up straight. Do not bend over.
- Keep feet apart and firmly planted.
- Hold the shaft grip with the right hand. Keep the right arm slightly bent.
- Hold the handle with the left hand. Keep the left arm straight.
- Hold the unit at waist level.
- Position the cutting head a few inches above the ground.



Fig. 5

### TIPS FOR BEST RESULTS

- To direct clippings away from the operator, tilt the cutting head slightly down to the right; cut from left to right whenever possible.
- Do not trim wet grass or weeds.

**NOTE:** Some line breakage will occur from:

- Entanglement with foreign matter
- Normal line fatigue
- Attempting to cut thick vegetation
- Forcing the line into objects such as walls or fence posts

### DECORATIVE TRIMMING

When trimming around trees, posts, fences, etc., rotate the whole unit so that the cutting head is at a 30° angle to the ground (Fig. 6).

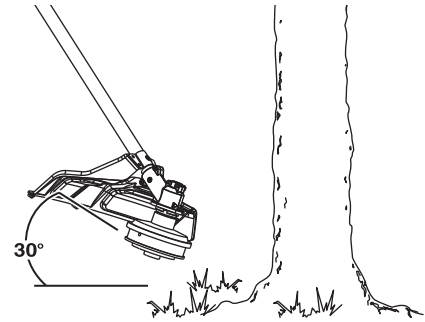


Fig. 6



## MAINTENANCE



**WARNING:** To prevent serious injury, never perform maintenance or repairs while the unit is running. Always allow the unit to cool before servicing or repairing the unit. For gas-powered units, disconnect the spark plug wire to prevent the unit from starting accidentally. For electric-powered units, disconnect the unit from the power source to prevent the unit from starting accidentally.

**NOTE:** Some maintenance procedures may require special tools or skills. If you are unsure about these procedures, take the unit to an MTD authorized service dealer.

### REPLACING THE TRIMMING LINE

Only use the trimming line described in the *Specifications* section. Other types of trimming line may cause the unit to overheat or fail.



**WARNING:** Never use metal-reinforced line, wire, chain or rope. These can break off and become dangerous projectiles.

1. Remove the old line from the cutting head.
2. Use a clean cloth to clean the surface of the cutting head.
3. Insert the ends of the line through the circular holes in the side of the cutting head (Fig. 7). Push the line through the holes until both ends protrude from the positioning tunnels (Fig. 8).
4. Pull the ends of the line until the line is tight against the cutting head. Make sure the ends of the line are of equal length (Fig. 9). If one end is longer than the other, push the longer end back through the cutting head partway and pull the shorter end out. If necessary, repeat this process until both ends are of equal length.
5. Press the exposed trimming line between the circular holes until it lies flat against the cutting head (Fig. 9).

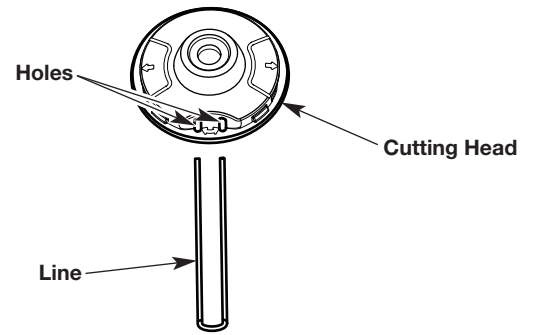


Fig. 7

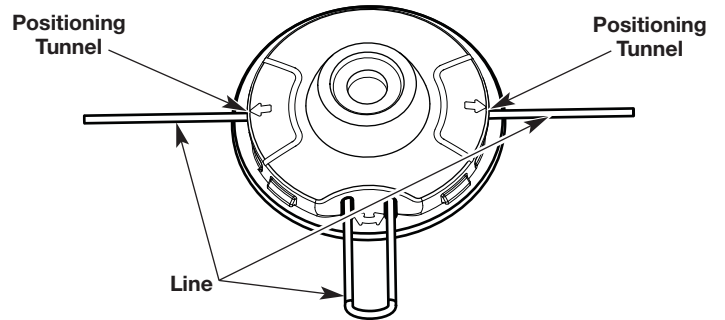


Fig. 8

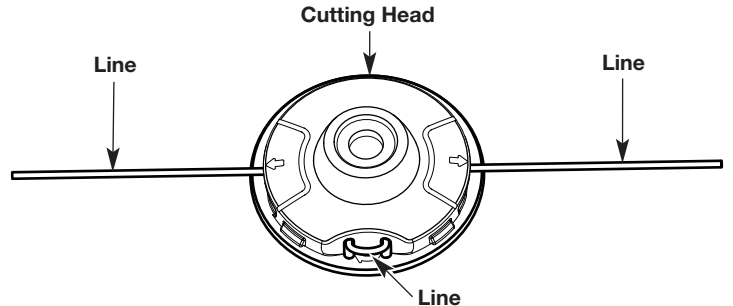


Fig. 9

## CLEANING AND STORAGE

### CLEANING



**WARNING:** To avoid serious personal injury, always stop the unit and allow it to cool before cleaning or maintaining the unit.



**WARNING:** Do not use strong detergents. Household cleaners that contain aromatic oils such as pine and lemon, and solvents such as kerosene, can damage plastic.

Use a small brush or clean, dry cloth to clean the outside of the unit.

### STORAGE

- Never store a fueled unit where fumes may reach an open flame or spark.
- Allow the unit to cool.
- Thoroughly clean the unit and inspect it for any loose or damaged parts. Replace damaged parts and tighten loose screws, nuts or bolts.
- Lock up the unit to prevent unauthorized use or damage.
- Store the unit indoors, in a dry, well-ventilated area.
- Store the unit out of the reach of children.
- To suspend the attachment from a hook, install the hanger cap onto the attachment. Make sure the release button is securely locked into one of the holes on the hanger cap.



## MANUFACTURER'S LIMITED WARRANTY FOR:

The limited warranty set forth below is given by MTD LLC (MTD) with respect to new merchandise purchased and used in the United States, its possessions and territories.

MTD warrants this product against defects in material and workmanship for a period of two (2) years commencing on the date of original purchase and will, at its option, repair or replace, free of charge, any part found to be defective in material or workmanship. This limited warranty shall only apply if this product has been operated and maintained in accordance with the Operator's Manual furnished with the product, and has not been subject to misuse, abuse, commercial use, neglect, accident, improper maintenance, alteration, vandalism, theft, fire, water or damage because of other peril or natural disaster. Damage resulting from the installation or use of any accessory or attachment not approved by MTD for use with the product(s) covered by this manual will void your warranty as to any resulting damage. This warranty is limited to ninety (90) days from the date of original retail purchase for any MTD product that is used for rental or commercial purposes, or any other income-producing purpose.

**HOW TO OBTAIN SERVICE:** Warranty service is available, WITH PROOF OF PURCHASE THROUGH YOUR LOCAL AUTHORIZED SERVICE DEALER. To locate the dealer in your area, visit our website at [www.mtdproducts.com](http://www.mtdproducts.com) or [www.mtdproducts.ca](http://www.mtdproducts.ca), check for a listing in the Yellow Pages, call **1-800-800-7310** or **1-800-668-1238** in Canada, or write to P.O. Box 361131, Cleveland, OH 44136-0019. No product returned directly to the factory will be accepted unless prior written permission has been extended by the Customer Service Department of MTD.

### **This limited warranty does not provide coverage in the following cases:**

- A. Tune-ups - Spark Plugs, Carburetor Adjustments, Filters
- B. Wear items - Bump Knobs, Outer Spools, Cutting Line, Inner Reels, Starter Pulley, Starter Ropes, Drive Belts, Saw Chains, Guide Bars, Cultivator Tines, Blades.
- C. MTD does not extend any warranty for products sold or exported outside of the United States of America, its possessions and territories, except those sold through MTD's authorized channels of export distribution.

MTD reserves the right to change or improve the design of any MTD Product without assuming any obligation to modify any product previously manufactured.

**No implied warranty, including any implied warranty of merchantability or fitness for a particular purpose, applies after the applicable period of express written warranty above as to the parts as identified. No other express warranty or guaranty, whether written or oral, except as mentioned above, given by any person or entity, including a dealer or retailer, with respect to any product shall bind MTD. During the period of the Warranty, the exclusive remedy is repair or replacement of the product as set forth above.** (Some states do not allow limitations on how long an implied warranty lasts, so the above limitation may not apply to you.)

**The provisions as set forth in this Warranty provide the sole and exclusive remedy arising from the sales. MTD shall not be liable for incidental or consequential loss or damages including, without limitation, expenses incurred for substitute or replacement lawn care services, for transportation or for related expenses, or for rental expenses to temporarily replace a warranted product.** (Some states do not allow limitations on how long an implied warranty lasts, so the above limitation may not apply to you.)

In no event shall recovery of any kind be greater than the amount of the purchase price of the product sold. Alteration of the safety features of the product shall void this Warranty. You assume the risk and liability for loss, damage, or injury to you and your property and/or to others and their property arising out of the use or misuse or inability to use the product.

This limited warranty shall not extend to anyone other than the original purchaser, original lessee or the person for whom it was purchased as a gift.

**How State Law Relates to this Warranty:** This warranty gives you specific legal rights, and you may also have other rights which vary from state to state.

To locate your nearest service dealer, dial **1-800-800-7310** in the United States or **1-800-668-1238** in Canada.

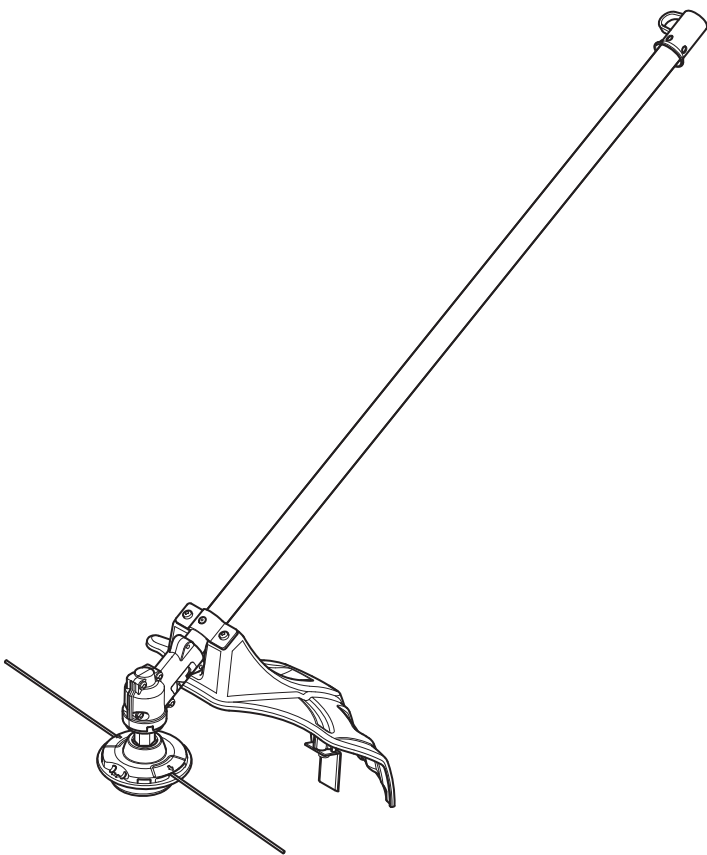
## MTD LLC

P.O. Box 361131

Cleveland, OH 44136-0019

# Manuel de l'opérateur

## Accessoire d'arbre droit à portée rallongée de taille-bordure



### TABLE DES MATIÈRES

Service technique .....	13
Sécurité .....	14
Apprenez à connaître votre appareil .....	17
Caractéristiques .....	17
Assemblage .....	18
Utilisation .....	19
Entretien .....	20
Nettoyage et entreposage .....	21
Garantie .....	22

## CONSERVEZ CES INSTRUCTIONS

### SERVICE

**NE RAMENEZ PAS CET APPAREIL CHEZ LE REVENDEUR. UNE PREUVE D'ACHAT SERA EXIGÉE POUR AVOIR RECOURS À LA GARANTIE.**

Pour obtenir de l'aide concernant l'assemblage, les commandes, l'utilisation ou l'entretien de cet appareil, veuillez contacter le service à la clientèle au **1-800-800-7310** (États-Unis) ou au **1-800-668-1238** (Canada). Pour obtenir des informations supplémentaires sur cet appareil, visitez le site Internet : **www.mtdproducts.com** (É.-U.) ou **www.mtdproducts.ca** (Canada).

Pour profiter du service technique, veuillez appeler le service à la clientèle pour obtenir une liste des centres de réparation agréés les plus proches. Les réparations de cet appareil doivent être confiées uniquement à un centre de réparation agréé, à la fois pendant et après la période de garantie. Lors d'une réparation, utilisez uniquement des pièces de rechange identiques.

Toutes les informations, illustrations et spécifications contenues dans ce manuel tiennent compte des dernières informations techniques disponibles au moment de mettre sous presse. Nous nous réservons le droit d'y apporter des modifications à tout moment, sans préavis.  
Copyright © 2013 MTD SOUTHWEST INC., Tous droits réservés.

**IMPORTANT : Lisez attentivement ce manuel avant d'utiliser ce produit. Respectez toutes les instructions.**

L'objectif de ces symboles de sécurité est d'attirer votre attention sur des dangers potentiels. Ces symboles de sécurité et leurs explications méritent que vous les lisiez attentivement et les compreniez bien. À eux seuls, les avertissements de sécurité n'éliminent aucun danger. Les consignes ou avertissements de sécurité ne remplacent pas les mesures appropriées de prévention des accidents.

Lisez le manuel de l'utilisateur et suivez toutes les consignes de sécurité et de prévention. Tout manquement peut entraîner des blessures graves pour l'utilisateur et/ou pour les personnes à proximité.

## SIGNIFICATION DES SYMBOLES

	<b>DANGER</b> : Signale un risque EXTRÊME. Le non-respect d'une consigne d'un signal de <b>DANGER</b> <b>ENTRAÎNERA</b> des blessures graves voire mortelles pour vous-même ou pour les autres.
	<b>AVERTISSEMENT</b> : Signale un risque GRAVE. Le non-respect d'une consigne d'un signal d' <b>AVERTISSEMENT</b> de sécurité <b>PEUT</b> entraîner des blessures graves pour vous-même ou pour les autres.
	<b>ATTENTION</b> : Signale un risque MOYEN. Le non-respect d'une consigne d'un signal d' <b>ATTENTION</b> <b>POURRAIT</b> entraîner des dommages matériels ou des blessures graves pour vous-même ou pour les autres.

**REMARQUE** : Vous donne des informations ou des instructions capitales pour l'utilisation ou l'entretien de l'équipement.

## • CONSIGNES DE SÉCURITÉ IMPORTANTES •

### LISEZ TOUTES LES INSTRUCTIONS AVANT L'UTILISATION

	<b>AVERTISSEMENT</b> : Lors de l'utilisation de l'appareil, respectez toutes les consignes de sécurité. Veuillez lire ces consignes avant d'utiliser l'appareil afin de garantir votre sécurité et celle des personnes à proximité. Conservez-les pour vous y référer ultérieurement.
--	---

- Lisez la notice attentivement et assurez-vous de bien comprendre le fonctionnement de l'appareil qui alimente cet accessoire.
- Lisez attentivement les instructions. Familiarisez-vous avec les commandes et la marche à suivre pour une bonne utilisation de l'appareil.
- N'utilisez pas cet appareil lorsque vous êtes fatigué, malade, ou sous l'influence de l'alcool, de drogues, ou de médicaments.
- Les enfants ne peuvent pas utiliser cet appareil. Les adolescents doivent être accompagnés et guidés par un adulte.
- Toutes les protections et tous les dispositifs de sécurité doivent être installés correctement avant l'utilisation de l'appareil.
- Inspectez l'appareil avant utilisation. Remplacez les pièces endommagées. Assurez-vous qu'il n'y a pas de fuites de carburant. Assurez-vous que toutes les attaches sont en place et solidement fixées. Remplacez les pièces fissurées, ébréchées ou endommagées. N'utilisez pas l'appareil avec des pièces endommagées ou desserrées.
- Inspectez attentivement la zone d'utilisation avant de démarrer cet appareil. Retirez tous les débris et objets durs ou tranchants tels que du verre, des câbles, etc.
- Utilisez uniquement le fil de coupe décrit dans la section *Caractéristiques* de ce manuel. N'utilisez jamais de fils, de câbles, de chaînes ou de cordons à renfort métallique. Ils peuvent se casser et se transformer en projectiles dangereux.
- Soyez conscient des risques de blessure à la tête, aux mains et aux pieds.
- Faites quitter la zone d'utilisation aux enfants, aux personnes à proximité et aux animaux familiers de la zone d'utilisation; au minimum, faites les reculer de 15 m (50 pieds). Il existe néanmoins un risque de projectile pour les personnes à proximité. Encouragez les personnes à proximité à porter des lunettes de sécurité. Si quelqu'un s'approche de vous, arrêtez l'appareil immédiatement.

## AVERTISSEMENTS DE SÉCURITÉ POUR LES APPAREILS À ESSENCE



**AVERTISSEMENT :** L'essence est extrêmement inflammable et ses vapeurs peuvent exploser si on y met le feu. Veuillez prendre les précautions suivantes:

- Stockez uniquement le carburant dans des conteneurs prévus spécifiquement à cet effet et homologués pour le stockage de telles substances.
- Coupez toujours le moteur et laissez-le refroidir avant de remplir le réservoir. Ne retirez jamais le bouchon du réservoir de carburant et ne remplissez jamais ce dernier lorsque le moteur est chaud. Dévissez lentement le bouchon du réservoir de carburant afin de réduire la pression dans le réservoir avant de le remplir.
- Mélangez et ajoutez toujours le carburant en extérieur, dans une zone propre, bien aérée et dépourvue de toute source d'étincelles ou de flammes. NE fumez PAS.
- Ne démarrez jamais l'appareil sans avoir bien revissé le bouchon du réservoir de carburant.
- Évitez tout ce qui pourrait enflammer le carburant renversé. Tout carburant qui s'est échappé de l'appareil doit être immédiatement essuyé, avant de démarrer l'appareil. Éloignez l'appareil d'au moins 9,1 m (30 pieds) de la source et du site de ravitaillement en carburant avant de démarrer le moteur. NE fumez PAS.
- L'appareil ne doit pas être démarré ou utilisé à l'intérieur d'un espace ou d'un bâtiment clos. Inhaler les fumées du pot d'échappement peut provoquer la mort. Utilisez cet appareil uniquement en extérieur, dans une zone bien aérée.

## AVERTISSEMENTS DE SÉCURITÉ CONCERNANT LES UNITÉS ÉLECTRIQUES



**AVERTISSEMENT :** Pour réduire le risque de décharge électrique, utilisez uniquement des rallonges approuvées pour une utilisation à l'extérieur, comme une rallonge de type SW-A, SOW-A, STW-A, STOW-A, SJW-A, SJOW-A, SJTW-W ou SJTOW-A. Les rallonges sont disponibles auprès de votre revendeur local. Utilisez uniquement des rallonges à gaine ronde approuvées pour une utilisation à l'extérieur.

- **ENSEMBLES DE CORDON :** Assurez-vous que votre cordon est en bon état. Lorsque vous utilisez un cordon, assurez-vous d'utiliser un cordon dont la capacité est suffisante pour supporter le courant de fonctionnement de l'unité. Un cordon à la capacité insuffisante causerait une baisse de tension entraînant une perte de puissance et une surchauffe. Consultez le manuel d'utilisation de l'unité qui alimentera cet accessoire pour connaître les tailles de cordon recommandées.
- Inspectez périodiquement toutes les rallonges et la connexion d'alimentation de l'unité. Observez attentivement toute détérioration, coupure ou fissure de l'isolation. Vérifiez également les connexions pour voir si elles présentent des dommages. Remplacez les cordons si vous y trouvez des défauts ou des dommages.
- Évitez de débrancher la partie moteur de la rallonge en cours de fonctionnement en utilisant une sangle de retenue pour prise, un connecteur ou en faisant un nœud (Fig. A).
- Évitez les environnements dangereux. Ne faites jamais fonctionner votre appareil dans un environnement humide ou mouillé. L'humidité constitue un risque d'électrocution.
- N'utilisez pas l'appareil sous la pluie. N'utilisez pas dans l'eau ou à proximité de l'eau.
- Ne manipulez pas la prise ou l'appareil avec les mains mouillées ou en vous tenant sur des surfaces mouillées.

- Ne laissez pas l'appareil branché lorsqu'il n'est pas utilisé, lorsque vous changez les accessoires ou durant son entretien.

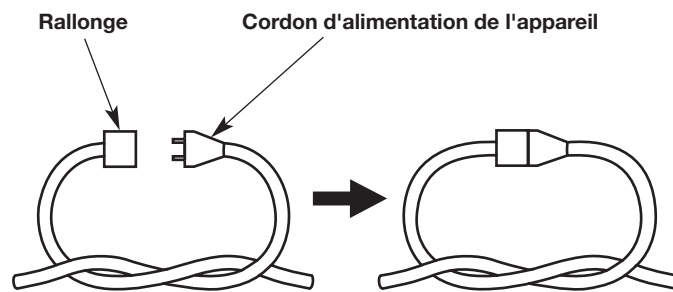


Fig. A

## PENDANT L'UTILISATION

- Portez des lunettes de sécurité conformes aux normes ANSI / ISEA Z87.1 en vigueur, lesquelles doivent être indiquées sur les lunettes mêmes. Portez une protection auditive lorsque vous utilisez cet appareil. Portez un masque de protection pour le visage ou anti-poussière si vous travaillez dans un endroit poussiéreux.
- Portez un pantalon long et épais, des bottes, des gants et une chemise à manches longues. Ne portez pas de vêtements amples, de bijoux, de pantalons courts, de sandales et ne marchez pas les pieds nus. Relevez les cheveux au-dessus des épaules.
- Le carter de la tête de coupe doit toujours être en place pendant l'utilisation de l'appareil. N'utilisez pas l'appareil sans que les deux fils de coupe soient tendus et que le fil correct soit installé. Ne tirez pas le fil de coupe au-delà du carter de protection.
- Ajustez la poignée pour procurer une meilleure prise, le cas échéant.
- Assurez-vous que l'accessoire n'est pas en contact avec tout autre élément avant de démarrer l'appareil.
- Utilisez l'appareil uniquement à la lumière du jour ou sous un éclairage artificiel satisfaisant.
- Utilisez le bon outil. N'employez cet outil que pour l'usage pour lequel il a été prévu.
- Tenez toujours l'appareil à deux mains lorsque vous l'utilisez. Tenez fermement les deux poignées ou prises.
- N'essayez pas d'atteindre des espaces trop éloignés. Assurez-vous de toujours garder une position stable et un bon équilibre. Redoublez de prudence lorsque vous travaillez dans des escaliers, des pentes ou des rampes abruptes. Pour éviter les blessures graves, n'utilisez pas l'appareil lorsque vous vous trouvez sur une échelle ou un toit.
- Gardez les mains, le visage et les pieds éloignés des parties en mouvement. Ne touchez pas et n'essayez pas d'arrêter l'une quelconque des parties mobiles.
- Ne faites pas tourner l'appareil à une vitesse supérieure à celle qui est nécessaire pour effectuer le travail. Ne faites pas tourner l'appareil à haut régime lorsque vous ne l'utilisez pas.
- Ne forcez pas l'appareil. L'appareil sera plus efficace et plus sûr si vous l'utilisez à la vitesse pour laquelle il a été conçu.
- Arrêtez toujours l'appareil lorsque l'utilisation est interrompue ou lorsque vous vous déplacez d'un endroit à l'autre.
- Si l'appareil heurte ou s'emmêle avec un objet, arrêtez l'appareil immédiatement et vérifiez qu'il n'a pas été endommagé. N'utilisez pas l'appareil avant d'avoir réparé les dommages. N'utilisez pas l'appareil avec des pièces endommagées ou desserrées.

- Utilisez uniquement les pièces de rechange et accessoires du fabricant d'origine pour cet appareil. Vous pouvez vous les procurer auprès de votre concessionnaire agréé. L'utilisation de pièces ou d'accessoires autres pourrait entraîner des blessures graves pour l'utilisateur ou endommager l'appareil et annuler votre garantie.
- L'appareil doit rester propre. Retirez avec précaution la végétation et autres débris qui pourraient bloquer les pièces mobiles.
- Si l'appareil commence à vibrer de façon anormale, arrêtez-le immédiatement. Examinez l'appareil pour trouver la cause de la vibration. Une vibration indique généralement un problème.
- Avant une inspection, un entretien, un nettoyage, un entreposage, un transport ou le remplacement d'une pièce de l'appareil :
  1. Arrêtez l'appareil.
  2. Assurez-vous que toutes les pièces mobiles se sont arrêtées.
  3. Laissez l'appareil refroidir.
  4. Pour les appareils alimentés à l'essence, débranchez le fil de la bougie. Pour les appareils fonctionnant à l'électricité, débranchez la source d'alimentation de l'appareil.
- Assurez-vous que l'appareil est sécurisé pour les transports.
- Quand le réservoir contient du carburant, ne rangez jamais l'appareil à l'intérieur d'un bâtiment où des vapeurs d'essence pourraient atteindre une flamme nue (veilleuses, etc.) ou des étincelles (interrupteurs, moteurs électriques, etc.).
- Rangez l'appareil dans un endroit sec et sûr ou en hauteur pour éviter une utilisation non autorisée ou des dommages. Gardez toujours l'appareil hors de portée des enfants.
- Ne mouillez pas ou n'éclaboussez pas l'appareil avec de l'eau ou tout autre liquide. Les poignées doivent rester sèches, propres et dépourvues de tout dépôt. Nettoyez l'appareil après chaque utilisation. Consultez la section *Nettoyage et entreposage*. N'utilisez pas de solvants ou de puissants détergents.
- Conservez ces instructions. Consultez-les souvent et utilisez-les pour former d'autres utilisateurs. Si vous prêtez cet appareil à d'autres personnes, remettez-leur également ces instructions.

## AUTRES AVERTISSEMENTS DE SÉCURITÉ

- Entretenez soigneusement l'appareil.
- Toutes les réparations, autres que les procédures de maintenance décrites dans ce manuel, doivent être effectuées par un centre de réparations agréé.
- Ne retirez, modifiez ou rendez jamais inopérant tout dispositif de sécurité fourni avec l'appareil.

# CONSERVEZ CES INSTRUCTIONS

## • SYMBOLES INTERNATIONAUX ET DE SÉCURITÉ •

Ce manuel de l'utilisateur décrit les symboles et pictogrammes de sécurité internationaux qui peuvent apparaître sur cet appareil. Lisez ce manuel d'utilisation pour une information complète sur la sécurité, l'assemblage, l'utilisation, l'entretien et les réparations.

### SIGNIFICATION DES SYMBOLES

	<ul style="list-style-type: none"> <li>• <b>SYMBOLE D'ALERTE DE SÉCURITÉ</b> Indique un danger, un avertissement ou une mise en garde. Peut être utilisé de concert avec d'autres symboles ou pictogrammes.</li> </ul>
	<ul style="list-style-type: none"> <li>• <b>LISEZ LE MANUEL DE L'UTILISATEUR</b> <b>AVERTISSEMENT :</b> Lisez le(s) manuel(s) de l'utilisateur et suivez toutes les consignes de sécurité et de prévention. Tout manquement peut entraîner des blessures graves pour l'utilisateur et/ou pour les personnes à proximité.</li> </ul>
	<ul style="list-style-type: none"> <li>• <b>PORTEZ UNE PROTECTION OCULAIRE ET AUDITIVE</b> <b>AVERTISSEMENT :</b> Les objets projetés et le bruit peuvent entraîner des lésions oculaires graves et des pertes auditives. Portez toujours des lunettes de sécurité conformes aux normes ANSI / ISEA Z87.1 en vigueur et des protections auditives lorsque vous utilisez cet appareil. Protégez-vous le visage avec un masque intégral au besoin.</li> </ul>

### SIGNIFICATION DES SYMBOLES

	<ul style="list-style-type: none"> <li>• <b>LES OBJETS PROJETÉS ET LA TÊTE ROTATIVE PEUVENT PROVOQUER DES BLESSURES GRAVES</b> <b>AVERTISSEMENT :</b> De petits objets peuvent être propulsés à grande vitesse et entraîner des blessures. Tenez-les à l'écart du rotor en mouvement.</li> </ul>
	<ul style="list-style-type: none"> <li>• <b>ÉLOIGNEZ LES PERSONNES SE TROUVANT À PROXIMITÉ</b> <b>AVERTISSEMENT :</b> Faites reculer les personnes se trouvant à proximité, en particulier les enfants et les animaux domestiques, d'au moins 15 m (50 pieds) de la zone de travail.</li> </ul>
	<ul style="list-style-type: none"> <li>• <b>LAME TRCHANANTE</b> <b>AVERTISSEMENT :</b> lame tranchante sur le carter de protection de l'accessoire de coupe. Pour éviter toute blessure grave, ne touchez pas la lame du coupe-fil.</li> </ul>



## FAMILIARISEZ-VOUS AVEC VOTRE APPAREIL

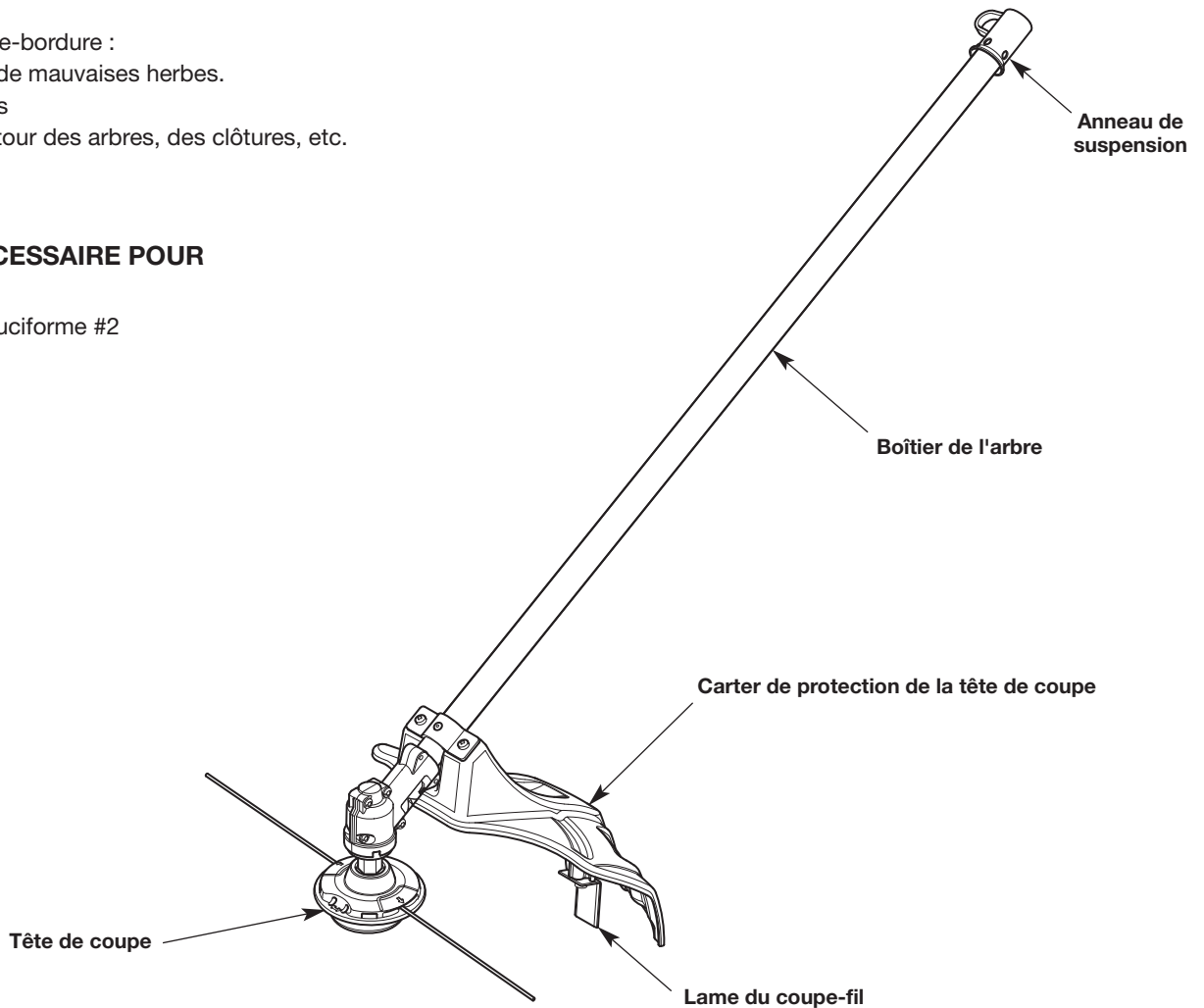
### APPLICATIONS

Utilisation comme taille-bordure :

- Coupe d'herbe et de mauvaises herbes.
- Coupe de bordures
- aille décorative autour des arbres, des clôtures, etc.

### AUCUN OUTIL NÉCESSAIRE POUR L'ASSEMBLAGE :

- Tournevis à tête cruciforme #2



## SPÉCIFICATIONS\*

Poids approximatif de l'appareil (accessoire uniquement) . . . . .	1,4 - 1,8 kg (3 - 4 livres)
Mécanisme de coupe . . . . .	Tête de coupe à fils fixes
Diamètre de la ligne de coupe . . . . .	Fil torsadé précoupé de 2,67 mm (0,105 po)
Diamètre de la trajectoire de coupe . . . . .	40,64 cm (16 po.)

\* L'ensemble des spécifications est basé sur les toutes dernières informations disponibles sur le produit à l'impression de ce manuel. Nous nous réservons le droit d'apporter des modifications à tout moment sans avis préalable.

## INSTALLATION DU CARTER DE PROTECTION DE LA TÊTE DE COUPE



**AVERTISSEMENT :** pour éviter toute blessure grave, n'utilisez jamais cet appareil quand le carter de protection de la tête de coupe n'est pas en place.

1. Placez le carter de protection de la tête de coupe sur le support de fixation. Alignez les trous présents dans le carter de protection de la tête de coupe avec ceux du support de fixation. (Fig. 1)
2. Serrez manuellement les 2 vis, en les passant à travers le support de fixation et le carter de protection.
3. À l'aide d'un tournevis à tête cruciforme #2, serrez les vis jusqu'à ce que la tête de coupe soit correctement en place. Serrez les vis uniformément. L'espace entre le support de fixation et le carter de protection doit être identique des deux côtés.

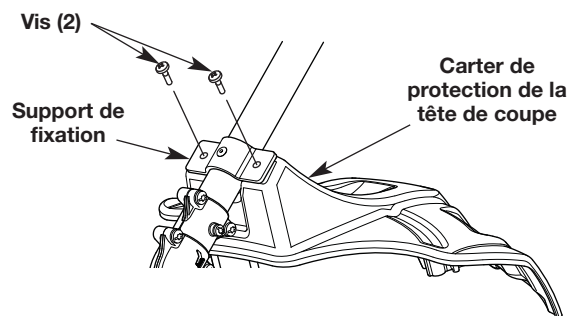


Fig. 1



**AVERTISSEMENT :** Avant d'utiliser tout accessoire, veuillez lire et comprendre le manuel accompagnant l'accessoire. Suivez toutes les consignes de sécurité qui y figurent.



**AVERTISSEMENT :** Afin d'éviter de graves blessures et d'endommager l'appareil, coupez le moteur avant de retirer ou d'installer un accessoire.

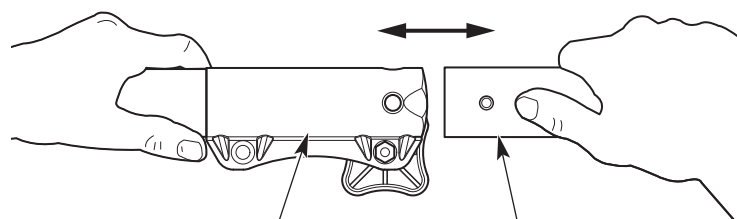


Fig. 2

## UTILISATION DU COUPLEUR

Le coupleur permet l'utilisation de divers accessoires en option.

### Installer l'accessoire

1. Enlevez l'anneau de suspension de l'accessoire. Conservez l'anneau de suspension pour une utilisation lors du rangement de l'accessoire. Le cas échéant, enlevez l'entretoise grise du coupleur.
2. Réglez l'appareil sur une surface plane.
3. Tournez le bouton dans le sens contraire des aiguilles d'une montre pour desserrer le coupleur (Fig. 3).
4. Alignez le bouton de déclenchement avec la rainure de guidage (Fig. 4).
5. Poussez l'accessoire directement dans le coupleur jusqu'à ce que le bouton de déverrouillage s'enclenche fermement dans l'orifice principal (Fig. 4).
6. Tournez le bouton dans le sens contraire des aiguilles d'une montre pour serrer le coupleur (Fig. 3).

**REMARQUE :** Ne pas serrer l'écrou (Fig. 4).



**ATTENTION :** Avant d'utiliser l'appareil, assurez-vous que le bouton-ressort est complètement enclenché dans le trou principal et que le bouton est bien serré.



**ATTENTION :** Le bouton-ressort doit être enclenché uniquement dans le trou principal. Les enclencher dans le mauvais trou pourrait causer des blessures personnelles ou endommager l'appareil.

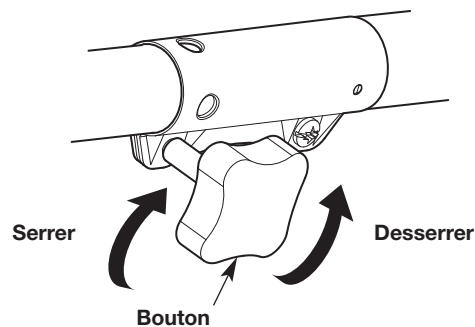


Fig. 3

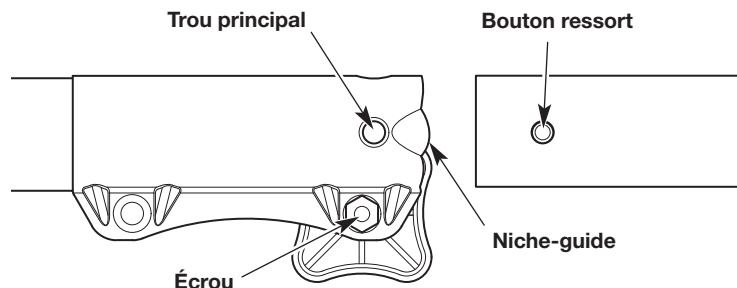


Fig. 4

### Retirer l'accessoire

1. Réglez l'appareil sur une surface plane.
2. Tournez le bouton dans le sens contraire des aiguilles d'une montre pour desserrer le coupleur (Fig. 3).
3. Appuyez et maintenez enfoncé le bouton de déclenchement (Fig. 4).
4. Retirez l'accessoire du coupleur (Fig. 2).

## TENUE DE L'APPAREIL



**AVERTISSEMENT** : portez toujours une protection pour les yeux, les oreilles, les mains, les pieds et le corps afin de limiter les risques de blessure pendant l'utilisation de cet appareil.

- Placez-vous en position d'utilisation (Fig. 5). Tenez-vous bien droit. Ne vous penchez pas.
- Gardez les pieds écartés et fermement posés sur le sol.
- Tenez la poignée d'arbre avec la main droite. Le bras droit doit rester légèrement plié.
- Tenez la poignée avec la main gauche. Le bras gauche doit rester tendu.
- Tenez l'appareil au niveau de votre taille.
- Placez la tête de coupe à quelques centimètres au-dessus du sol.



Fig. 5

## CONSEILS POUR UN RÉSULTAT OPTIMAL

- Pour diriger les accumulations à l'écart de l'opérateur, inclinez la tête de coupe légèrement vers la droite et, lorsque cela est possible, coupez de gauche à droite.
- Ne coupez pas de l'herbe ou des mauvaises herbes mouillées.

**REMARQUE** : le fil peut parfois se casser à cause de :

- Une matière étrangère qui s'enroule dans l'appareil
- Une usure normale du fil
- La coupe d'une végétation épaisse
- Le forçage du fil contre des objets comme des murs ou des poteaux de clôture

## COUPE DE BORDURE DÉCORATIVE

Quand vous taillez autour des arbres, des poteaux, des clôtures, etc., faites tourner complètement l'appareil afin que la tête de coupe soit à un angle de 30° par rapport au sol (Fig. 6).

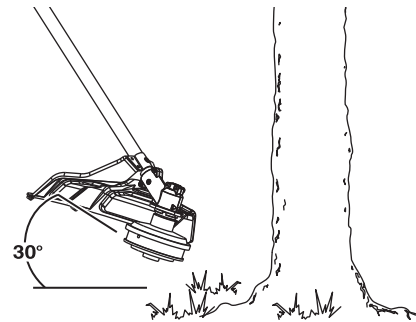


Fig. 6



**AVERTISSEMENT :** Afin d'éviter les blessures graves, n'effectuez jamais de réparation ou n'entretenez jamais l'appareil lorsqu'il est en fonctionnement. Laissez toujours l'appareil refroidir avant de le réparer. Pour les appareils alimentés à l'essence, débranchez le fil de la bougie pour empêcher qu'il ne démarre accidentellement. Pour les appareils électriques, débranchez l'appareil de la source d'alimentation pour l'empêcher de démarrer accidentellement.

**REMARQUE :** certaines procédures d'entretien peuvent nécessiter des compétences ou des outils particuliers. Si vous avez des doutes concernant ces procédures, amenez l'appareil chez un revendeur agréé de MTD.

## REPLACEMENT DU FIL DE COUPE

Utilisez uniquement le fil de coupe décrit dans la section *Caractéristiques*. D'autres types de fil de coupe peuvent provoquer la surchauffe de l'appareil ou sa défaillance.



**AVERTISSEMENT :** n'utilisez jamais de fils, de câbles, de chaînes ou de cordons à renfort métallique. Ils peuvent se casser et se transformer en projectiles dangereux.

1. Enlever l'ancien fil de la tête de coupe.
2. Utiliser un chiffon propre pour nettoyer la surface de la tête de coupe.
3. Insérer les extrémités du fil à travers les orifices circulaires du côté de la tête de coupe (Fig. 7). Pousser le fil dans les orifices jusqu'à ce que les deux extrémités fassent saillie des tunnels de positionnement (Fig. 8).
4. Tirer sur les extrémités du fil jusqu'à ce qu'il soit bien serré contre la tête de coupe. S'assurer les extrémités du fil soient de longueur égale (Fig. 9). Si une extrémité est plus longue que l'autre, pousser l'extrémité arrière à mi-course à travers la tête de coupe et tirer sur la partie courte. Si nécessaire, répéter cette opération jusqu'à ce que les deux extrémités soient de longueur égale.
5. Appuyer sur le fil de coupe exposé entre les orifices circulaires jusqu'à ce qu'il repose à plat contre la tête de coupe (Fig. 9).

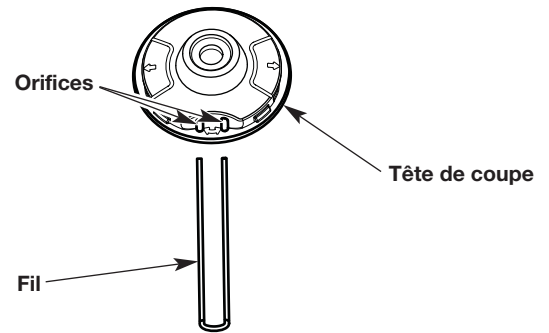


Fig. 7

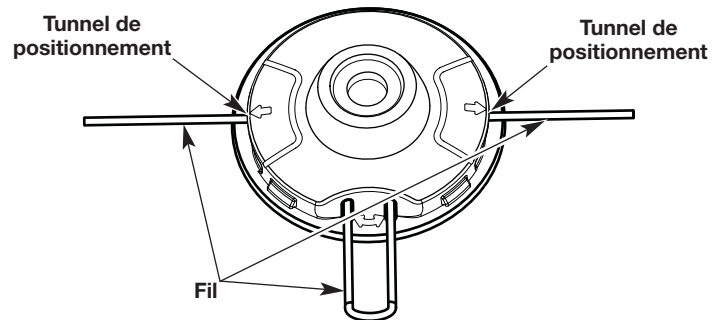


Fig. 8

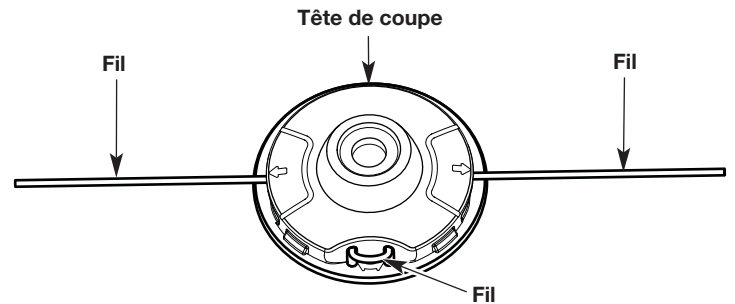


Fig. 9

## NETTOYAGE ET ENTREPOSAGE

### NETTOYAGE



**AVERTISSEMENT** : Afin d'éviter des blessures graves, arrêtez toujours l'appareil et laissez-le refroidir avant tout nettoyage ou entretien.



**AVERTISSEMENT** : N'utilisez pas de détergents agressifs. Des produits d'entretien ménagers contenant des huiles aromatiques, telles que le pin ou le citron, et des solvants tels que le kérosène, peuvent endommager le plastique.

Utilisez une petite brosse ou un chiffon propre et sec pour nettoyer l'extérieur de l'appareil.

### ENTREPOSAGE

- N'entrez jamais un appareil à moteur à essence là où les vapeurs peuvent entrer en contact avec une source de flammes ou d'étincelles.
- Laissez l'appareil refroidir.
- Nettoyez soigneusement l'appareil et inspectez-le méticuleusement pour vérifier s'il n'y a pas de pièces détachées ou endommagées. Remplacez les pièces endommagées et serrez les vis, écrous et boulons.
- Rangez l'appareil sous clef pour éviter tout usage non autorisé et pour éviter qu'il soit endommagé.
- Rangez l'appareil à l'intérieur, dans un endroit sec et bien aéré.
- Entrez l'appareil hors de la portée des enfants.
- Pour suspendre l'accessoire à un crochet, installez l'anneau de suspension sur l'accessoire. Assurez-vous que le bouton de déclenchement est bien verrouillé dans l'un des orifices sur l'anneau de suspension.

## GARANTIE LIMITÉE DU FABRICANT POUR :

La garantie limitée énoncée ci-après est accordée par MTD LLC (« MTD ») et s'applique aux produits neufs achetés et utilisés aux États-Unis, ses possessions et territoires.

MTD garantit ce produit contre tout défaut de pièces et de main d'œuvre pendant une période de deux (2) ans à compter de la date d'achat initiale et s'engage à titre gratuit à réparer ou à remplacer, à sa discrétion, toute pièce présentant un défaut de pièces et de main d'œuvre. Cette garantie limitée s'applique uniquement si le produit a été utilisé et entretenu conformément aux instructions du manuel de l'opérateur livré avec le produit, et qu'il n'a pas fait l'objet d'une utilisation inadéquate, abusive, commerciale ou négligente, d'un accident, d'un entretien inapproprié, d'une modification, d'un acte de vandalisme, d'un vol, d'un incendie, d'une inondation ou d'un dommage découlant d'une catastrophe naturelle ou autre. Tout dommage découlant de l'installation ou de l'utilisation d'une pièce ou d'un accessoire non approuvé par MTD avec le(s) produit(s) couvert(s) dans le présent manuel annulera la garantie quant aux dommages qui en résulteraient. La présente garantie est limitée à quatre-vingt-dix (90) jours à compter de la date d'achat initiale d'un produit MTD utilisé à des fins locatives ou commerciales, ou toute utilisation produisant des revenus.

**OBTENTION DU SERVICE DE GARANTIE :** le service de garantie est disponible SUR PRÉSENTATION D'UNE PREUVE D'ACHAT AUPRES DE VOTRE CENTRE DE RÉPARATION LOCAL AGREE. Pour trouver le revendeur le plus proche, visitez notre site Internet sur [www.mtdproducts.com](http://www.mtdproducts.com) ou [www.mtdproducts.ca](http://www.mtdproducts.ca), consultez les pages jaunes, téléphonez au **1-800-800-7310** ou **1-800-668-1238** au Canada, ou adressez un courrier à P.O. Box 361131, Cleveland, OH 44136-0019. Aucun produit retourné directement à l'usine ne sera accepté si le service à la clientèle de MTD n'a pas accordé une autorisation préalable et écrite au client.

### **Cette garantie limitée ne s'applique pas dans les cas suivants :**

- A. Mises au point : bougies, réglages du carburateur, filtres
- B. Éléments d'usure : boutons de butée, bobines extérieures, fil de coupe, moulinets, poulie du démarreur, câbles de démarreur, courroies d'entraînement, chaînes de scie, barres de guidage, couteaux de cultivateur, lames.
- C. MTD n'accorde aucune garantie pour les produits vendus ou exportés des États-Unis d'Amérique, ses possessions et territoires, à l'exception des produits vendus par le biais du réseau agréé de distribution à l'exportation de MTD.

MTD se réserve le droit de modifier ou d'améliorer la conception de ses produits sans pour autant assumer l'obligation de modifier tout produit de fabrication plus ancienne.

**Aucune garantie implicite, y compris toute garantie de qualité marchande ou d'adéquation à un usage particulier, n'est valable après la période applicable de la garantie expresse et écrite ci-dessus concernant les pièces qui sont identifiées. Aucune autre garantie expresse, écrite ou orale, à l'exception de celle mentionnée ci-dessus, accordée par toute personne ou entité, y compris un revendeur ou un distributeur, concernant tout produit ne peut engager MTD. Pendant la période de garantie, l'unique recours est la réparation ou le remplacement du produit dans les conditions énoncées ci-dessus.** (Certains états n'autorisent pas la limitation de la durée d'une garantie implicite ; de ce fait, les limitations ci-dessus peuvent ne pas vous concerner.)

**Les dispositions énoncées dans la présente garantie constituent le recours unique et exclusif inhérent à la vente. MTD ne sera pas tenu responsable des pertes ou dommages accessoires ou indirects, y compris sans aucune limite, les dépenses découlant de l'utilisation de services de remplacement ou de substitution pour l'entretien de votre pelouse, du transport ou des dépenses associées, ou de la location permettant le remplacement temporaire d'un produit garanti.** (Certains états n'autorisent pas la limitation de la durée d'une garantie implicite ; de ce fait, les limitations ci-dessus peuvent ne pas vous concerner.)

Aucun recouvrement de quelque nature qu'il soit ne pourra dépasser le prix d'achat du produit vendu. Toute modification des dispositifs de sécurité du produit annulera cette garantie. Vous assumez le risque et la responsabilité résultant d'une perte, d'un dommage ou d'un préjudice que vous et vos biens et /ou que d'autres personnes et leurs biens pourront encourir du fait de l'utilisation normale ou abusive ou de l'incapacité à utiliser ce produit.

Cette garantie limitée ne doit en aucun cas inclure toute personne autre que l'acheteur d'origine, le preneur initial ou la personne à laquelle le produit a été offert.

**Rapport de cette garantie avec les lois de chaque état :** la présente garantie vous confère certains droits juridiques spécifiques, et vous pouvez bénéficier d'autres droits qui varient d'un état à l'autre.

Pour trouver le centre de réparation le plus proche, composez le **1-800-800-7310** aux États-Unis ou le **1-800-668-1238** au Canada.

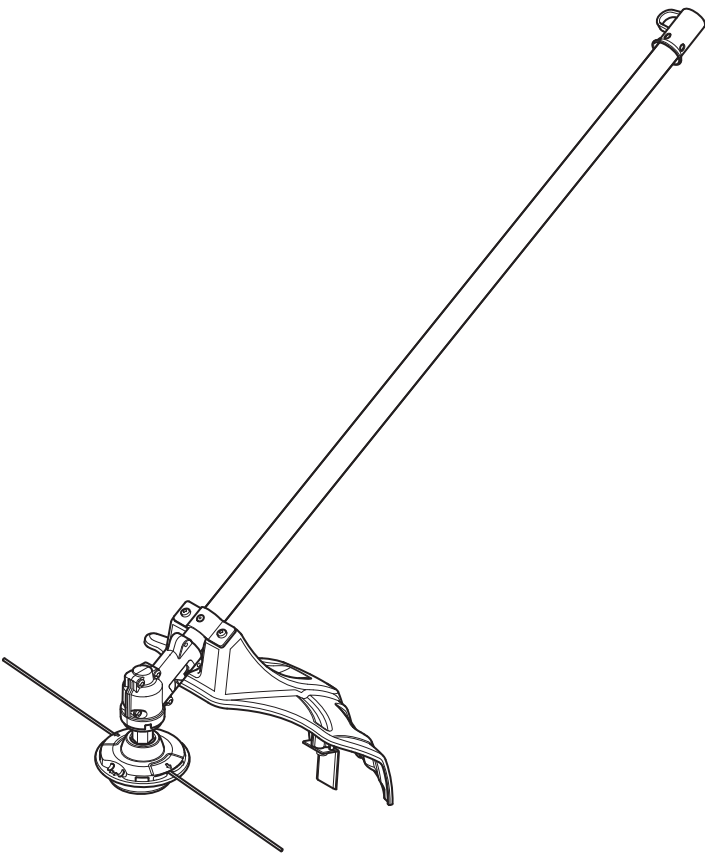
**MTD LLC**

P.O. Box 361131

Cleveland, OH 44136-0019

# Manual del Operador

## Accesorio de recorte de gran alcance con eje recto



### TABLA DE CONTENIDO

Reparación y mantenimiento	.23
Seguridad	.24
Conozca su unidad	.27
Especificaciones	.27
Montaje	.28
Funcionamiento	.29
Mantenimiento	.30
Limpieza y almacenamiento	.31
Garantía	.32

## CONSERVE ESTAS INSTRUCCIONES

### SERVICIO

**NO DEVUELVA ESTA UNIDAD AL DISTRIBUIDOR. SE EXIGIRÁ COMPROBANTE DE COMPRA PARA LAS REPARACIONES Y EL MANTENIMIENTO QUE CUBRE LA GARANTÍA.**

Por ayuda en relación con el montaje, los controles, el funcionamiento o el mantenimiento de la unidad, llame al Departamento de Asistencia al Cliente al **1-800-800-7310** en los Estados Unidos o al **1-800-668-1238** en Canadá. Se puede encontrar información adicional sobre la unidad en nuestro sitio web: **www.mtdproducts.com** (EE. UU.) o **www.mtdproducts.ca** (Canadá).

Por reparaciones y mantenimiento, llame al Departamento de Asistencia al Cliente a fin de obtener la lista de distribuidores de servicio autorizados de su zona. La reparación y el mantenimiento de la presente unidad, tanto dentro del período de la garantía como después de él, sólo debe realizarlos un distribuidor de servicio autorizado y aprobado. Cuando le dé servicio use únicamente piezas de reemplazo idénticas.

Toda la información, las ilustraciones y las especificaciones contenidas en este manual se basan en la información más reciente disponible en el momento de impresión del manual. Nos reservamos el derecho de hacer cambios en cualquier momento sin aviso previo. Copyright © 2013 MTD SOUTHWEST INC. Todos los derechos reservados.

**IMPORTANTE:** Lea este manual por completo antes de utilizar este producto. Siga todas las instrucciones.

## SEGURIDAD

El propósito de los símbolos de seguridad es llamar la atención sobre posibles peligros. Los símbolos de seguridad y sus explicaciones merecen toda su atención y comprensión. Las advertencias de seguridad no eliminan de por sí ningún peligro. Las instrucciones o advertencias que dan no sustituyen las medidas adecuadas de prevención de accidentes.

**Lea el manual del operador y siga todas las advertencias e instrucciones de seguridad. No hacerlo puede ocasionar lesiones graves al operador y/o a las personas presentes.**

### SÍMBOLO SIGNIFICADO

	<b>PELIGRO:</b> Indica un peligro EXTREMO. El no obedecer una señal de seguridad de <b>PELIGRO</b> <b>TRAERÁ COMO CONSECUENCIA</b> que usted u otras personas puedan sufrir lesiones graves o la muerte.
	<b>ADVERTENCIA:</b> Indica un peligro GRAVE. El no obedecer una señal de <b>ADVERTENCIA</b> de seguridad <b>PUEDE</b> conducir a que usted u otras personas sufran graves lesiones.
	<b>PRECAUCIÓN:</b> Indica un peligro MODERADO. El no obedecer una señal de <b>PRECAUCIÓN</b> de seguridad <b>PUEDE</b> conducir a daños a la propiedad o a que usted u otras personas se lesionen.

**NOTA:** Indica información o instrucciones de vital importancia para la operación o el mantenimiento del equipo.

## • INSTRUCCIONES DE SEGURIDAD IMPORTANTES •

### LEA TODAS LAS INSTRUCCIONES ANTES DE OPERAR LA UNIDAD

	<b>ADVERTENCIA:</b> Al usar la unidad deben seguirse todas las normas de seguridad. Lea estas instrucciones antes de operar la unidad a fin de garantizar la seguridad del operador y de cualquier otra persona presente. Guarde estas instrucciones para poder usarlas más adelante.
--	---

- Lea cuidadosamente y entienda el manual del operador de la unidad que impulsa a este acople.
- Lea detenidamente las instrucciones. Familiarícese con los controles y el uso adecuado de la unidad.
- No opere esta unidad si está cansado, enfermo o bajo los efectos del alcohol, drogas o medicamentos.
- Los niños no deben operar la unidad. Los adolescentes deben estar acompañados y supervisados por un adulto.
- Todos los accesorios de protección y seguridad deben estar instalados adecuadamente antes de comenzar a operar la unidad.
- Inspeccione la unidad antes de utilizarla. Reemplace las piezas dañadas. Verifique que no haya fugas de combustible. Asegúrese de que todos los sujetadores estén en su sitio y asegurados. Cambie las piezas rajadas, melladas o dañadas de cualquier forma. No opere la unidad si hay piezas flojas o dañadas.

- Inspeccione cuidadosamente el área antes de encender la unidad. Elimine todos los escombros y los objetos duros o filosos tales como cristales, alambres, etc.
- Use únicamente el hilo de recorte que se describe en la sección *Especificaciones* de este manual. Nunca use un hilo, un cable, una cadena o una cuerda de metal reforzados. Podrían separarse y convertirse en proyectiles peligrosos.
- Tenga en cuenta el riesgo de lesiones a la cabeza, las manos y los pies.
- Aleje a los niños, personas presentes y animales domésticos del área; manténgalos fuera de un radio de 50 pies (15 m) como mínimo. Aún así es posible que se arriesguen a ser golpeados por los objetos lanzados. Sugiera a los presentes usar protección para los ojos. Si alguien se le acerca, pare la unidad inmediatamente.



## ADVERTENCIAS DE SEGURIDAD PARA UNIDADES DE GASOLINA



**ADVERTENCIA:** La gasolina es sumamente inflamable y, de prenderse, sus vapores pueden hacer explosión. Tome las siguientes precauciones:

- Almacene el combustible solo en los recipientes diseñados y aprobados específicamente para estos materiales.
- Pare siempre el motor y deje que se enfríe antes de llenar el tanque. Nunca quite la tapa del tanque de combustible ni eche combustible cuando el motor esté caliente. Antes de llenar el tanque, siempre afloje la tapa lentamente para disipar la presión del mismo.
- Mezcle o eche siempre el combustible en un área exterior bien ventilada y limpia, donde no haya chispas ni llamas. NO fume.
- No opere nunca la unidad si la tapa del combustible no está bien asegurada en su lugar.
- Evite el peligro de incendio debido a combustible derramado. Limpie de inmediato todo combustible derramado de la unidad antes de encenderla. Antes de arrancar el motor, aleje la unidad a una distancia de 30 pies (9.1 m) como mínimo del lugar de abasto de combustible. NO fume.
- No arranque ni use nunca la unidad dentro de una habitación o edificio cerrados. Inhalar los gases de escape puede ser fatal. Opere esta unidad solamente en un área exterior bien ventilada.

## ADVERTENCIAS DE SEGURIDAD PARA LAS UNIDADES ELÉCTRICAS



**ADVERTENCIA:** Para reducir el riesgo de descarga eléctrica, use sólo cables de extensión aprobados para uso en exteriores, como un cable de extensión con cable tipo SW-A, SOW-A, STW-A, STOW-A, SJW-A, SJOW-A, SJTW-W o SJTOW-A. Puede adquirir cables de extensión en su distribuidor local. Use sólo cables de extensión de camisa cilíndrica aprobados para su uso al exterior.

- **JUEGOS DE CABLES:** Verifique que su juego de cable esté en buenas condiciones. Cuando use un juego de cables, verifique que el cable que usa es lo suficientemente grueso para conducir la corriente que consumirá la unidad. Un juego de cables de menor calibre puede causar una caída de voltaje en la línea y ocasionar la pérdida de energía y recalentamiento. Vea el manual del operador de la unidad que le dará electricidad a este accesorio para saber la medida recomendada para el cable.
- Inspeccione todos los cables de extensión y la conexión eléctrica de la unidad con frecuencia. Observe en detalle si existe deterioro, cortes o grietas en el aislamiento. Inspeccione también si existen daños en las conexiones. Cambie los cables si encuentra algún defecto o daño.
- Evite que el cabezal motorizado se desconecte del cable de extensión durante la operación usando una correa de sujeción en el receptáculo o enchufe, un conector, o hágale un nudo (Fig. A).
- Evite los ambientes peligrosos. No opere nunca su unidad en ambientes húmedos ni mojados. La humedad representa un peligro de descarga eléctrica.
- No use la unidad bajo la lluvia. No la use dentro del agua ni alrededor de ella.
- No toque el enchufe ni la unidad con las manos mojadas ni parado sobre superficies mojadas.
- Do not leave the unit plugged when not in use. No deje la unidad enchufada cuando no se utilice, esté cambiando los accesorios o mientras se le está dando mantenimiento.

Cable de extensión Cable de alimentación de la unidad

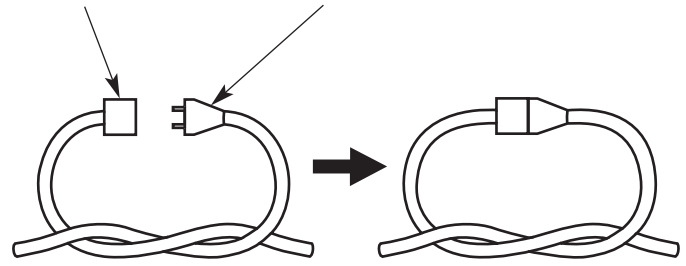


Fig. A

## AL OPERAR LA UNIDAD

- Use gafas o lentes de seguridad que cumplan con las normas actuales ANSI / ISEA Z87.1 y estén marcados como tales. Use siempre protección para los oídos al operar esta unidad. Si la operación levanta polvo, lleve puesta una máscara facial o contra el polvo.
- Use pantalones largos y gruesos, botas, guantes y camisa de mangas largas. No use ropa holgada, alhajas, pantalones cortos, sandalias ni ande descalzo. Asegure su cabello por encima del nivel de los hombros.
- El protector del cabezal de corte siempre debe estar colocado mientras se opera la unidad. No utilice la unidad si no están extendidos ambos hilos de recorte y si no está instalado el hilo adecuado. No extienda el hilo de recorte más allá de la longitud del protector.
- Ajuste la manija para que brinde el mejor agarre, si corresponde.
- Antes de arrancar la unidad, asegúrese de que la cuchilla no haga contacto con ningún objeto.
- Use la unidad únicamente a la luz del día o con buena luz artificial.
- Use la herramienta correcta. Use esta herramienta solamente con el propósito previsto.
- Sostenga siempre la unidad con ambas manos al operarla. Agarre firmemente ambos mangos o empuñaduras.
- No intente alcanzar demasiado lejos. Mantenga siempre una posición y equilibrio adecuados. Tenga cuidado al trabajar sobre escalinatas, cuevas empinadas o pendientes. Para evitar lesiones graves, no haga funcionar la unidad desde una escalera de mano o un techo.
- Mantenga las manos, la cara y los pies lejos de todas las partes móviles. No toque o trate de detener las piezas móviles.
- No opere la unidad a una velocidad mayor a la necesaria para la tarea. No haga funcionar la unidad a alta velocidad cuando no está en uso.
- No fuerce el equipo. El mismo trabajará mejor y con mayor seguridad si lo utiliza a la velocidad para la que ha sido diseñado.
- Pare siempre la unidad cuando posponga el trabajo o mientras camine entre diferentes zonas de corte.
- Si golpea o se enreda con un objeto extraño, pare de inmediato la unidad y verifique si hay algún daño. No ponga a funcionar el equipo sin reparar el daño. No opere la unidad si hay piezas flojas o dañadas.
- Use únicamente para esta unidad las piezas de repuesto y accesorios del fabricante original. Estas se encuentran disponibles en su distribuidor de servicio autorizado. El uso de cualquier pieza o accesorio no autorizado podría causar lesiones graves al usuario o daños a la unidad y anular la garantía.
- Mantenga limpia la unidad. Quite con cuidado cualquier resto de vegetación u otros residuos que puedan bloquear las piezas móviles.
- Si la unidad comienza a vibrar anormalmente, deténgala de inmediato. Inspeccione la unidad para encontrar la causa de la vibración. Generalmente, la vibración es un indicador de problemas.

## OTRAS ADVERTENCIAS DE SEGURIDAD

- El mantenimiento de la unidad debe ser minucioso.
- Todas las tareas de reparación, con excepción de los procedimientos de mantenimiento que se describen en este manual, deben ser realizados por un distribuidor de servicio autorizado.
- Nunca extraiga, modifique o deje inoperativo ningún dispositivo de seguridad que venga con la unidad.
- Antes de inspeccionar, limpiar, guardar o transportar la unidad, o de hacer tareas de reparación o mantenimiento o reemplazar alguna de sus piezas:
  1. Detenga la unidad.
  2. Asegúrese de que se hayan detenido todas las piezas móviles.
  3. Deje que la unidad se enfríe.
  4. Para las unidades que funcionan con gasolina, desconecte el cable de la bujía. Para las unidades que funcionan con electricidad, desconecte la unidad de la alimentación eléctrica.
- Sujete la unidad durante el transporte.
- Nunca almacene la unidad con combustible en el depósito, en el interior de una construcción donde las emanaciones puedan alcanzar una llama abierta (luces piloto, etc.) o chispas (interruptores, motores eléctricos, etc.).
- Almacene la unidad en un lugar seco, asegurada o a una altura que evite que se la use sin autorización o se la dañe. Mantenga la unidad lejos del alcance de los niños.
- Nunca rocíe ni arroje chorros de agua ni de ningún otro líquido a la unidad. Mantenga las manijas secas, limpias y sin residuos. Limpie la unidad luego de cada uso. Consulte *Limpieza y almacenamiento*. No utilice solventes o detergentes fuertes.
- Guarde estas instrucciones. Consúltelas con frecuencia y úselas para capacitar a otros usuarios. Si le presta esta unidad a otras personas, también debe prestarles estas instrucciones.

# GUARDE ESTAS INSTRUCCIONES

## • SÍMBOLOS INTERNACIONALES Y DE SEGURIDAD •

Este manual del operador describe símbolos y pictografías internacionales y de seguridad que posiblemente aparezcan en este producto. Lea el manual del operador para informarse bien sobre la seguridad, ensamblaje, operación, mantenimiento y reparación.

### SÍMBOLO SIGNIFICADO

	<ul style="list-style-type: none"> <li>• <b>SÍMBOLO DE ALERTA DE SEGURIDAD</b> Indica peligro, advertencia o precaución. Puede utilizarse junto a otros símbolos o pictografías.</li> </ul>
	<ul style="list-style-type: none"> <li>• <b>LEA EL MANUAL DEL OPERADOR</b> <b>ADVERTENCIA:</b> Lea el o los manuales del operador y siga todas las advertencias e instrucciones de seguridad. No hacerlo puede ocasionar lesiones graves al operador y/o a las personas presentes.</li> </ul>
	<ul style="list-style-type: none"> <li>• <b>USE PROTECCIÓN PARA LOS OJOS Y OÍDOS</b> <b>ADVERTENCIA:</b> Los objetos lanzados y el ruido fuerte pueden ocasionar lesiones graves a los ojos y pérdida de la audición. Al operar esta unidad, use protección para los ojos que cumpla con las normas ANSI / ISEA Z87.1 y protección para los oídos. De ser necesario, use un protector facial completo.</li> </ul>

### SÍMBOLO SIGNIFICADO

	<ul style="list-style-type: none"> <li>• <b>LOS OBJETOS QUE SON ARROJADOS POR EL AIRE Y EL CORTADOR GIRATORIO PUEDEN PROVOCAR LESIONES GRAVES</b> <b>ADVERTENCIA:</b> Los objetos pequeños pueden ser lanzados a gran velocidad y ocasionar lesiones. Manténgase alejado del rotor giratorio.</li> </ul>
	<ul style="list-style-type: none"> <li>• <b>MANTENGA ALEJADOS A LOS PRESENTES</b> <b>ADVERTENCIA:</b> Mantenga a todos los presentes, especialmente a los niños y animales domésticos, a una distancia de al menos 50 pies (15 m).</li> </ul>
	<ul style="list-style-type: none"> <li>• <b>CUCHILLA AFILADA</b> <b>ADVERTENCIA:</b> Hay una cuchilla afilada en el protector del accesorio de recorte. A fin de evitar lesiones graves, no toque la cuchilla de corte del hilo.</li> </ul>

## CONOZCA SU UNIDAD

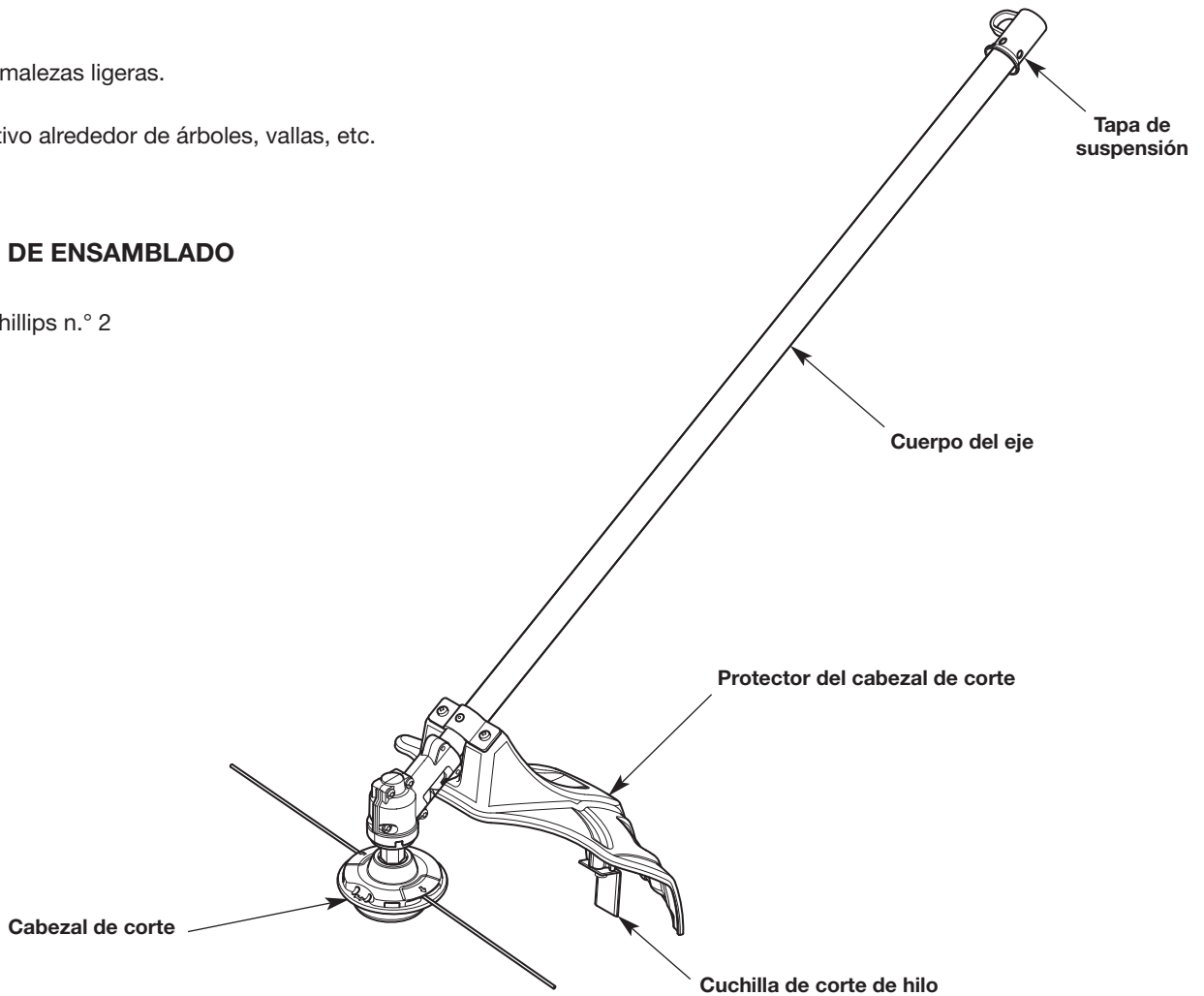
### USOS

Como recortadora:

- Corta hierbas y malezas ligeras.
- Bordeado
- Recorte decorativo alrededor de árboles, vallas, etc.

### HERRAMIENTAS DE ENSAMBLADO REQUERIDAS:

- Destornillador Phillips n.º 2



## ESPECIFICACIONES\*

Peso aproximado de la unidad (sólo el accesorio) . . . . .	3 - 4 libras (1.4 - 1.8 kg)
Mecanismo de corte . . . . .	Cabezal de corte de hilo fijo
Diámetro de la línea de corte . . . . .	Línea de giro precortada de 0.105 in. (2.67 mm)
Diámetro de la senda de corte . . . . .	16 pulgadas (40.64 cm)

\* Todas las especificaciones se basan en la información del producto más reciente disponible en el momento de la impresión. Nos reservamos el derecho de hacer cambios en cualquier momento, sin previo aviso.

## INSTALACIÓN DEL PROTECTOR DEL CABEZAL DE CORTE DE CORTE

**ADVERTENCIA:** A fin de evitar que se produzcan lesiones personales graves, no opere nunca la unidad sin el protector del cabezal de corte en su lugar.

1. Ubique el protector del cabezal de corte sobre el soporte de montaje. Se deben alinear los orificios del protector del cabezal de corte con los orificios del soporte de montaje. (Fig. 1)
2. Enrosque los 2 tornillos a través del soporte de montaje y dentro del protector del cabezal de corte hasta que queden ajustados manualmente.
3. Con un destornillador Phillips n.º 2, ajuste los tornillos hasta que el protector del cabezal de corte quede firmemente en su lugar. Apriete los tornillos de manera uniforme. La separación que hay entre el soporte de montaje y el protector del cabezal de corte debe ser la misma a ambos lados.

**ADVERTENCIA:** Antes de utilizar algún accesorio, lea y comprenda el manual adjunto. Siga todas las instrucciones de seguridad que contengan.

**ADVERTENCIA:** Para evitar lesiones personales graves y daños a la unidad, apague la unidad antes de quitar o instalar cualquier accesorio.

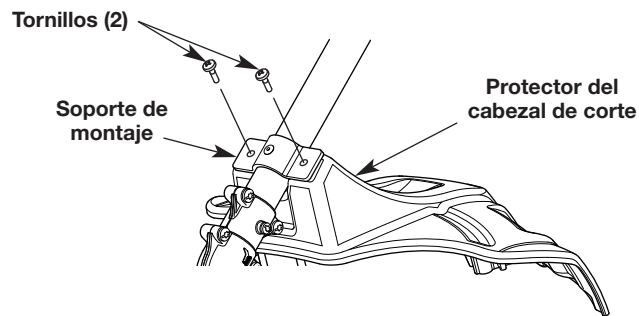


Fig. 1

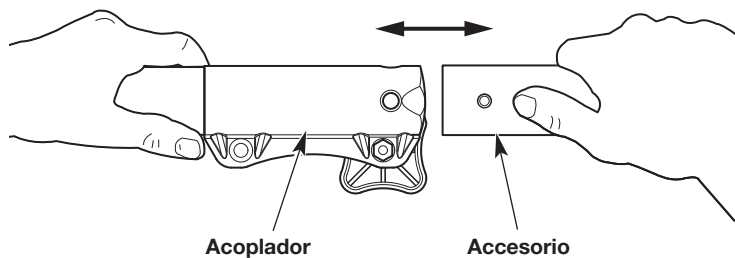


Fig. 2

## CÓMO OPERAR EL ACOPLADOR

El acoplador permite usar accesorios opcionales.

### Instalación del accesorio

1. Quite la tapa de suspensión del accesorio. Guarde la tapa de suspensión para utilizarla al almacenar el accesorio. De estar presente, extraiga el espaciador gris del acoplador.
2. Coloque la unidad en una superficie plana y nivelada.
3. Gire la perilla en el sentido contrario a las agujas del reloj para aflojar el acoplador (Fig. 3).
4. Alinee el botón de liberación con el embutimiento de la guía (Fig. 4).
5. Presione el accesorio directamente dentro del acoplador hasta que el botón de liberación encaje a presión firmemente del orificio principal (Fig. 4).
6. Gire la perilla en el sentido de las agujas del reloj para apretar el acoplador (Fig. 3).

**NOTA:** No ajuste demasiado la tuerca (Fig. 4).

**PRECAUCIÓN:** Antes de operar esta unidad, cerciúrese de que el botón de desconexión esté completamente encajado en el agujero principal y de que la perilla esté firmemente apretada.

**PRECAUCIÓN:** El botón de desconexión debe estar encajado solamente en el orificio principal. Usar un orificio incorrecto podría ocasionar lesiones personales o daños a la unidad.

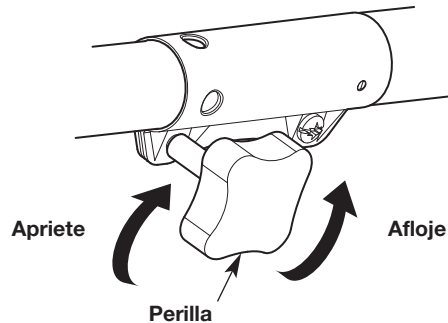


Fig. 3

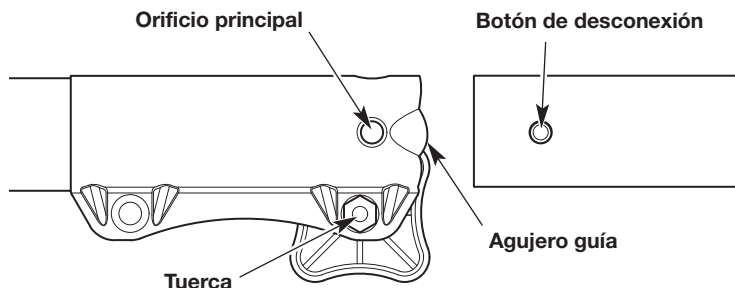


Fig. 4

### Cómo quitar el accesorio

1. Coloque la unidad en una superficie plana y nivelada.
2. Gire la perilla en el sentido contrario a las agujas del reloj para aflojar el acoplador (Fig. 3).
3. Oprima y mantenga apretado el botón de liberación (Fig. 4).
4. Tire del accesorio directamente hacia fuera del acoplador (Fig. 2).

## CÓMO SOSTENER LA UNIDAD



**ADVERTENCIA:** Utilice siempre protección ocular, auditiva, de manos, pies y corporal para reducir el riesgo de sufrir lesiones durante la operación de esta unidad.

- Párese en la posición de arranque (Fig. 5). Párese derecho. No se incline sobre el aparato.
- Mantenga los pies alejados y apoyados firmemente sobre el suelo.
- Sujete la empuñadura del eje con la mano derecha. Mantenga el brazo derecho ligeramente doblado.
- Sostenga la manija con la mano izquierda. Mantenga el brazo izquierdo bien derecho.
- Mantenga la unidad al nivel de la cintura.
- Coloque el cabezal de corte a algunas pulgadas del suelo.



Fig. 5

## CONSEJOS PARA OBTENER LOS MEJORES RESULTADOS

- Para alejar los recortes del operador, incline levemente el cabezal de corte hacia abajo a la derecha, corte de izquierda a derecha siempre que sea posible.
- No recorte césped o malezas que estén húmedos.

**NOTA:** El hilo puede romperse:

- Si se enreda con objetos extraños
- Por la fatiga normal del hilo
- Si se intenta cortar plantas gruesas
- Si se empuja el hilo contra objetos como paredes o cercas

## RECORTE DECORATIVO

Cuando recorte alrededor de árboles, postes, vallas, etc., rote toda la unidad de manera que el cabezal de corte quede en un ángulo de 30° en relación con el suelo (Fig. 6).

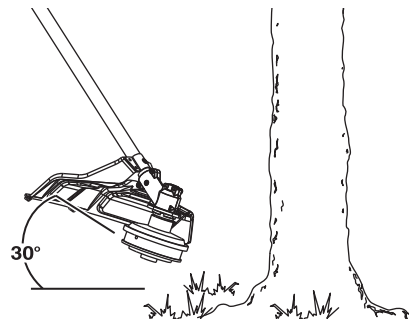


Fig. 6



**ADVERTENCIA:** Para evitar lesiones graves, no haga nunca ningún mantenimiento ni reparación con la unidad funcionando. Siempre deje que la unidad se enfríe antes de darle mantenimiento o repararla. Para las unidades que funcionan con gasolina, desconecte el cable de la bujía para prevenir que la unidad se encienda por accidente. Para las unidades que funcionan con electricidad, desconecte la unidad de la alimentación eléctrica para prevenir que la unidad se encienda por accidente.

**NOTA:** Algunos procedimientos de mantenimiento pueden requerir herramientas o habilidades especiales. Si no está seguro acerca de estos procedimientos, lleve la unidad a un distribuidor de servicio autorizado de MTD.

## REEMPLAZO DEL HILO DE RECORTE

Use únicamente el hilo de recorte que se describe en la sección *Especificaciones*. Otros tipos de hilo de recorte pueden causar el recalentamiento o la falla de la unidad.



**ADVERTENCIA:** Nunca use un hilo, un cable, una cadena o una cuerda de metal reforzados. Podrían separarse y convertirse en proyectiles peligrosos.

1. Retire el hilo viejo del cabezal de corte.
2. Use una tela limpia para limpiar la superficie del cabezal de corte.
3. Inserte los extremos del hilo a través de los orificios circulares que están al costado del cabezal de corte (Fig. 7). Empuje el hilo a través de los orificios hasta que ambos extremos sobresalgan de los conductos de posicionamiento (Fig. 8).
4. Tire de los extremos del hilo hasta que quede tenso contra el cabezal de corte. Asegúrese de que los extremos del hilo sean de igual longitud (Fig. 9). Si un extremo es más largo que el otro, empuje el extremo más largo nuevamente a través del cabezal de corte parcialmente y tire del extremo más corto hacia afuera. De ser necesario, repita el proceso hasta que ambos extremos sean de igual longitud.
5. Presione el hilo de recorte expuesto entre los orificios circulares hasta que se extienda de plano contra el cabezal de corte (Fig. 9).

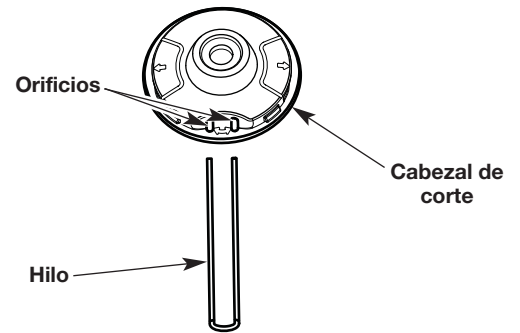


Fig. 7

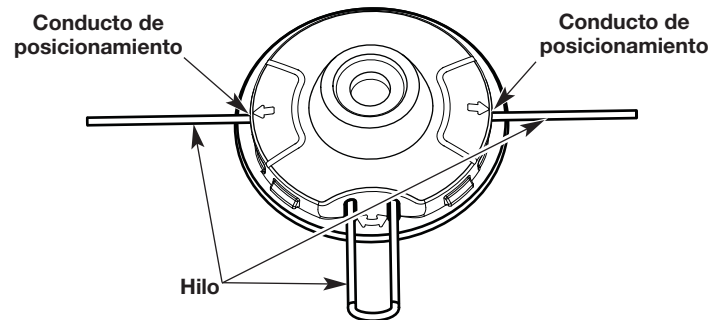


Fig. 8

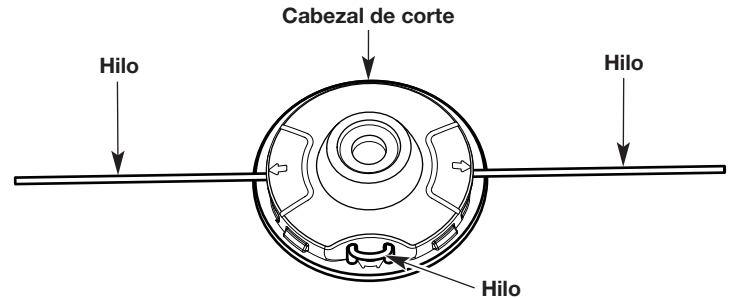


Fig. 9

## LIMPIEZA Y ALMACENAMIENTO

### LIMPIEZA



**ADVERTENCIA:** Para evitar lesiones personales graves, apague siempre la unidad y deje que se enfríe antes de limpiarla o darle mantenimiento.



**ADVERTENCIA:** No utilice detergentes fuertes. Los limpiadores caseros que contienen aceites esenciales, por ejemplo, de pino y limón, y los solventes como el queroseno, pueden dañar el plástico.

Use un cepillo pequeño o un paño limpio y seco para limpiar la unidad por fuera.

### ALMACENAMIENTO

- No guarde nunca la unidad con combustible en el tanque en un lugar en el que los gases puedan ponerse en contacto con una llama expuesta o chispas.
- Deje que la unidad se enfríe.
- Limpie bien la unidad y compruebe que no haya piezas sueltas o dañadas. Reemplace las piezas dañadas y ajuste los tornillos, tuercas o pernos sueltos.
- Guarde la unidad bajo llave para evitar su uso no autorizado o daño.
- Almacene la unidad en un espacio cerrado, en un lugar seco y bien ventilado.
- Guarde la unidad fuera del alcance de los niños.
- Para suspender el accesorio de un gancho, instale la tapa de suspensión sobre el accesorio. Asegúrese de que el botón de liberación esté firmemente trabado dentro de uno de los orificios de la tapa de suspensión.

## GARANTÍA LIMITADA DEL FABRICANTE PARA:

La garantía limitada que se extiende a continuación es otorgada por la empresa MTD LLC (MTD) y cubre mercaderías nuevas compradas y utilizadas en los Estados Unidos, sus posesiones y territorios.

MTD garantiza este producto por defectos materiales y de fabricación por un período de dos (2) años a partir de la fecha de la compra original y reparará o cambiará sin cargo cuando lo considere pertinente todas las piezas con defectos materiales o de fabricación. Esta garantía limitada sólo se aplicará si el producto ha sido operado y mantenido de acuerdo con las instrucciones del Manual del Operador que se proporciona con el producto y no ha sido sujeto a uso inapropiado, abuso, uso comercial, abandono, accidente, mantenimiento incorrecto, alteración, vandalismo, robo, incendio, inundación o algún daño debido a otro peligro o desastre natural. El daño resultante por la instalación o el uso de accesorios o uniones no aprobados por MTD para su uso con el(los) producto(s) incluido(s) en este manual anulará la garantía en lo que respecta a esos daños. La presente garantía se limita a noventa (90) días a partir de la fecha de la compra minorista original por cualquier producto MTD que se utiliza para fines comerciales o de alquiler, o para cualquier otro objetivo lucrativo.

**CÓMO SOLICITAR Y OBTENER SERVICIO TÉCNICO:** El servicio de la garantía está disponible, CON PRUEBA DE COMPRA A TRAVÉS DEL DISTRIBUIDOR LOCAL AUTORIZADO PARA EL MANTENIMIENTO. Para ubicar a un distribuidor en su área, visite nuestro sitio web en [www.mtdproducts.com](http://www.mtdproducts.com) o [www.mtdproducts.ca](http://www.mtdproducts.ca), consulte un listado en las Páginas Amarillas, llame al **1-800-800-7310** o al **1-800-668-1238** en Canadá, o escriba a P.O. Box 361131, Cleveland, OH 44136-0019. No se aceptará ningún producto que sea enviado directamente a la fábrica sin que haya una previa autorización por escrito emitida por el Departamento de Asistencia al Cliente de MTD.

### Esta garantía limitada no suministra cobertura en los siguientes casos:

- A. Puestas a punto – Bujías, ajustes al carburador, filtros
- B. Artículos de desgaste – Perillas de impacto, bobinas exteriores, hilo de corte, carretes interiores, polea de arranque, cuerdas de arranque, correas de transmisión, motosierras, barras de guía, dientes de la cultivadora, cuchillas.
- C. MTD no extiende ninguna garantía para los productos vendidos o exportados fuera de los Estados Unidos de América, sus posesiones y territorios, excepto para aquellos vendidos a través de los canales autorizados de distribución de exportaciones de MTD.

MTD se reserva el derecho a cambiar o mejorar el diseño de cualquier Producto MTD sin asumir ningún tipo de obligación de modificar ningún producto fabricado previamente.

**No se otorgan garantías implícitas, incluidas las garantías implícitas de comerciabilidad o de adecuación para un propósito determinado, después del período de garantía escrita expresa aplicable anteriormente mencionado para las piezas identificadas. MTD no se verá comprometido por ninguna otra garantía expresa, oral o escrita sobre un producto, excepto la mencionada anteriormente, extendida por personas físicas o personas jurídicas, incluidos los distribuidores o los minoristas. Durante el plazo de la garantía el único recurso es la reparación o el reemplazo del producto como se indicó anteriormente.** (Algunos estados no permiten las limitaciones a la duración de las garantías implícitas por lo que la limitación antes mencionada puede no serle de aplicación.)

**Las disposiciones incluidas en esta garantía proveen el recurso único y exclusivo que surge de las ventas. MTD no será responsable por pérdidas o daños incidentales o directos, incluyendo sin límites los gastos incurridos para los servicios de cuidado del pasto de reemplazo o cambio, los gastos de transporte o los gastos relacionados, o los gastos de alquiler para reemplazar de manera transitoria un producto bajo garantía.** (Algunos estados no permiten las limitaciones a la duración de las garantías implícitas por lo que la limitación antes mencionada puede no serle de aplicación.)

En ningún caso se obtendrá una compensación mayor al monto del precio de compra del producto adquirido. La alteración de las características de seguridad del producto anulará esta garantía. Usted asume el riesgo y la responsabilidad por las pérdidas, daños o lesiones que sufra Usted y sus bienes y / o otras personas y sus bienes como consecuencia del uso, del uso incorrecto o de la imposibilidad de uso de este producto.

Esta garantía limitada alcanza solamente al comprador original, al arrendatario original o a la persona que recibió el producto de regalo.

**Relación de la ley estadual con esta garantía:** Esta garantía le otorga derechos legales específicos, pero usted podría gozar de otros derechos que varían en cada estado.

Para ubicar su distribuidor de servicio más cercano, marque **1-800-800-7310** en los Estados Unidos o **1-800-668-1238** en Canadá.

## MTD LLC

P.O. Box 361131

Cleveland, OH 44136-0019