

INSTALLATION

Product Overview

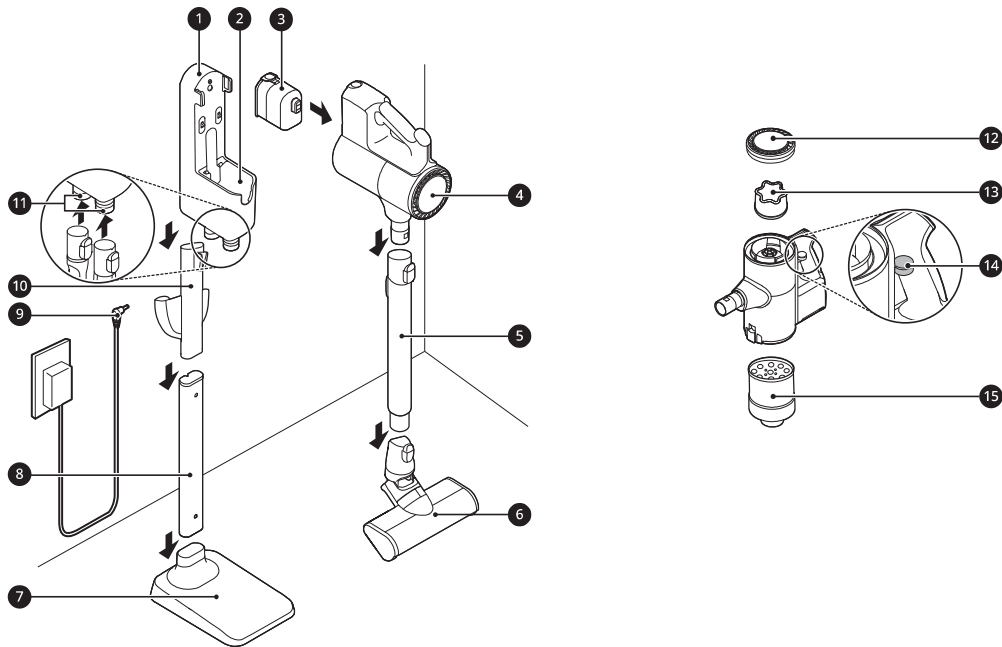
The images in this guide may be different from the actual components and accessories, which are subject to change by the manufacturer without prior notice for product improvement purposes.

NOTE

- For your safety and for extended product life, use only authorized components. The manufacturer is not responsible for product malfunction, property damage or bodily injury caused by the use of separately purchased unauthorized components, parts, or non-LG products.
- The floor stand dock and floor stand pipe are not installed in wall-mount installation.

Front View

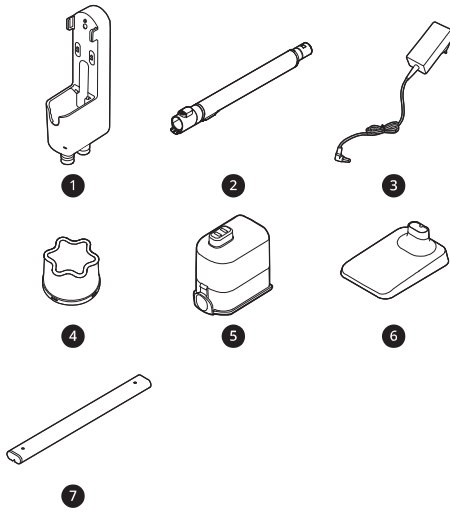
† This feature is only available on some models.



- | | |
|--|-----------------------------|
| ① Charging Station | ⑩ Detachable Nozzle Storage |
| ② Auxiliary Charging Station | ⑪ Tool Holders |
| ③ Battery (Dual Battery [†]) | ⑫ Exhaust Filter |
| ④ Product Body | ⑬ Pre-filter |
| ⑤ Extension Pipe | ⑭ Kompressor Lever |
| ⑥ Nozzle | ⑮ Cyclonic Mesh Filter |
| ⑦ Floor Stand Dock | |
| ⑧ Floor Stand Pipe | |
| ⑨ Adapter | |

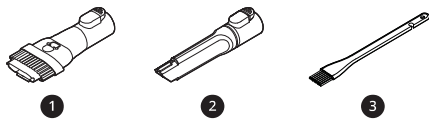
Accessories

Included Accessories



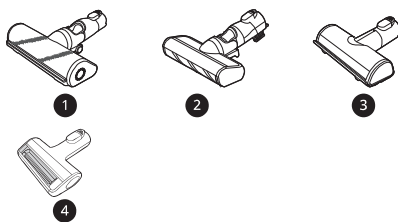
- 1 Charging Station
- 2 Extension Pipe
- 3 Adapter
- 4 Pre-filter
- 5 Battery (Dual Battery[†])
- 6 Floor Stand Dock[†]
- 7 Floor Stand Pipe[†]

Basic Accessories



- 1 Combination Tool
- 2 Crevice Tool
- 3 Cleaning Brush

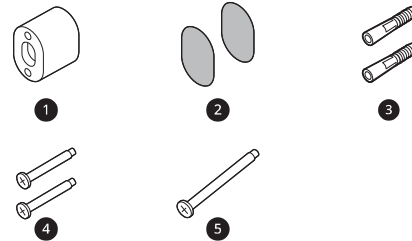
Nozzles



- 1 Universal Nozzle[†]

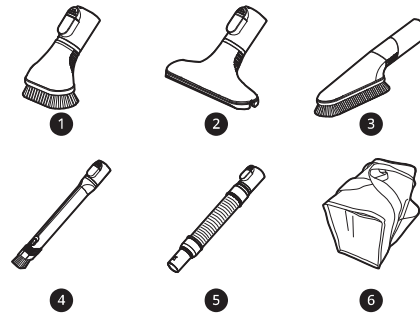
- 2 Slim Hard Floor Nozzle[†]
- 3 Bedding Nozzle[†]
- 4 Pet Nozzle[†]

Installation Kit



- 1 Wall Anchoring Block[†]
- 2 Double-Sided Tape[†]
- 3 Drywall Anchor[†]
- 4 Wall Anchoring Screw[†]
- 5 Stand Anchoring Screw[†]

Tools and Accessory Bag

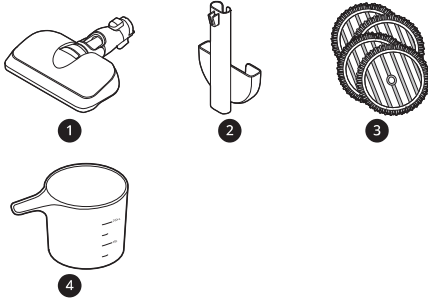


- 1 Hard Dirt Tool[†]
- 2 Mattress Tool[†]
- 3 Multi-angle Tool[†]
- 4 Flexible Crevice Tool[†]
- 5 Flexible Hose Extension[†]
- 6 Accessory Bag[†]

- 1 Universal Nozzle[†]

12 INSTALLATION

Mop Kit



❶ Mop Nozzle[†]

- ❷ Detachable Nozzle and Mop Pads Storage[†]
- ❸ Mop Pads for General Cleaning[†]
- ❹ Water Tank Filler[†]

[†] This accessory is only available on some models.

NOTE

- The mop pads, batteries, exhaust filter and the pre-filter will eventually need to be replaced. Contact an LG Electronics customer service center.

Specifications

Appliance

Model	A9*****	
Dimensions (Width X Depth X Height)	10.2 in X 10.6 in X 44.1 in 260 mm X 270 mm x 1120 mm	
Weight	Approximately 5.67 lb (2.57 kg)	
Power Consumption	370 W in Turbo Mode (Maximum 590 W) 120 W in Power Mode 68 W in Normal Mode	
Battery Run Time (Using two battery)	Using with the Nozzle[†] Up to 12 minutes in Turbo Mode Up to 40 minutes in Power Mode Up to 80 minutes in Normal Mode	Using with the Tool Up to 14 minutes in Turbo Mode Up to 60 minutes in Power Mode Up to 120 minutes in Normal Mode
Battery Run Time (Using one battery)	Using with the Nozzle[†] Up to 6 minutes in Turbo Mode Up to 20 minutes in Power Mode Up to 40 minutes in Normal Mode	Using with the Tool Up to 7 minutes in Turbo Mode Up to 30 minutes in Power Mode Up to 60 minutes in Normal Mode

- Dimensions are given for the assembled product body, extension pipe and nozzle.
- Battery run time is the result of using a fully charged battery according to the LG Electronics test standard. Results may be different depending on actual use environment and period of use.
- Recommended maximum run time when using the mop nozzle is 80 minutes. Otherwise, the motor may overheat.

[†] The Nozzle contains the direct drive motor that rotates the nozzle cleaning head directly.

Charger Adaptor

Model	ADC-30FSA-30 29430EPCU
Input	100 V - 240 V~, 50/60 Hz, 0.8 A
Output	DC 29.4 V, 1.0 A

Installing the Charging Station

⚠ WARNING

- To prevent tipping, self-standing mode installations should be anchored to the wall using the provided stand anchoring screw, anchoring block and double-sided tape.

⚠ CAUTION

- Do not allow children or pets to hang onto the charging station. They could be injured or cause damage to the appliance.
- Take care not to drop the product parts while unpacking them to avoid appliance damage or personal injury.
- Do not use double-sided tape to attach the charging station to wallpaper. The weight of the charging station and the product body could damage the paper.
- Use the stand anchoring screw on concrete or solid walls. If the appliance is not anchored securely and falls, it could result in damage to property or the product.

NOTE

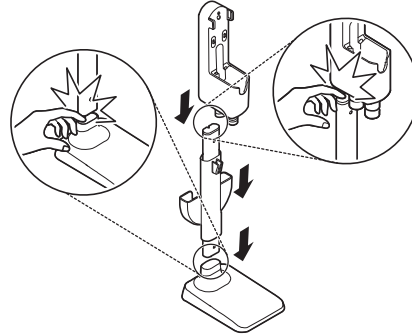
- Once assembled, the floor stand dock and the floor stand pipe cannot be disassembled.
- The cost of a service call to install or reinstall the charging station is not covered under the warranty.

Self-Standing Installation

Follow the steps below to install the charging station on a hard and level floor.

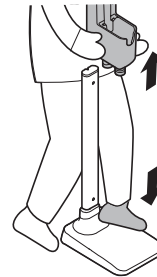
⚠ CAUTION

- Keep fingers away from pinch points when assembling the appliance or the charging station.

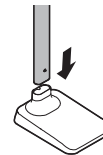


NOTE

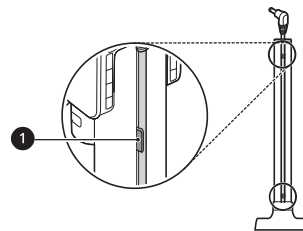
- The charging station can be removed as needed. To remove it, hold the floor stand dock steady and pull up on the charging station.



- 1 Place the floor stand dock on a hard and level floor and assemble the floor stand pipe.

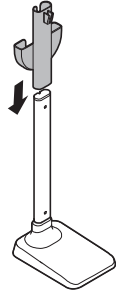


- 2 Clip the power cord tidily into the cord keeper ❶ on the back of the floor stand pipe.

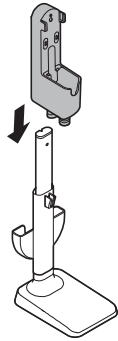


14 INSTALLATION

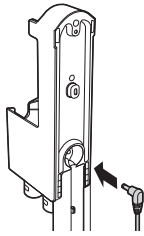
- 3** Slide the detachable nozzle storage onto the floor stand pipe.
- Make sure not to pinch or tangle the power cord behind the mop pads storage.



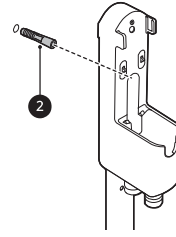
- 4** Assemble the charging station onto the top of the floor stand pipe.



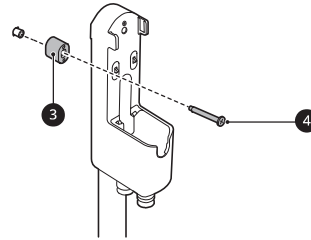
- 5** Connect the power adapter to the port on the back of the charging station.



- 6** Drill a hole in the wall and insert the drywall anchor **2** if needed.
- Before drilling, make sure that there are no pipes or electrical wires inside the wall at the desired location.
 - For drywall anchor: use 1/4" (6.5 mm) drill bit
 - For concrete or wall stud: use 1/8" (3 mm) drill bit
 - If screwing into drywall, use the drywall anchor.



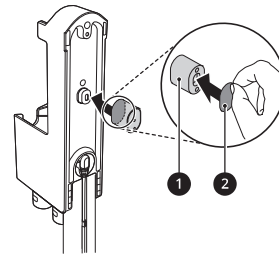
- 7** Align the wall anchoring block **3** of the charging station, and fix the charging station to the wall by tightening the anchoring screw **4** all the way.



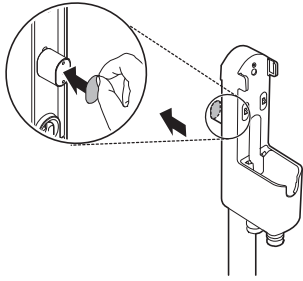
- 8** Plug the power cord into the power outlet.

Using Double-Sided Tape to Secure the Appliance

- 1** Use the double-sided tape **1** to attach the wall anchoring block **2** to the charging station.
- Remove the center section of double-sided tape before attaching it to the wall anchoring block.



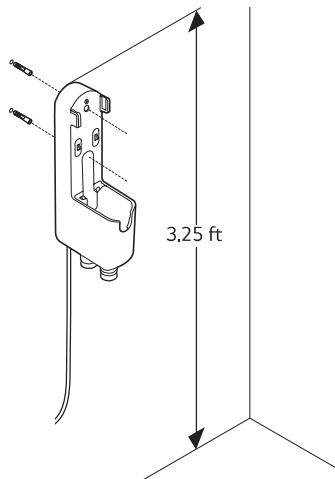
- 2** Attach the second piece of double-sided tape to the other side of the wall anchoring block to secure it to the wall.
- Do not use double-sided tape on wallpaper.



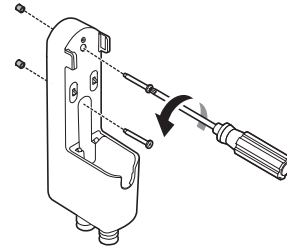
Wall-Mounted Installation

For wall-mounted installations, the charging station must be attached securely to the wall using the provided (short) wall anchoring screws.

- The detachable nozzle storage cannot be attached to the charging station in a wall-mounted installation.
- 1** Connect the power adapter to the port on the back of the charging station.
 - 2** Drill 2 holes and insert the drywall anchors (if needed) at least 3.25 ft (1 m) from the floor and near enough to easily reach a power outlet.
 - Before drilling, make sure that there are no pipes or electrical wires inside the wall at the desired location.
 - For drywall anchor: use 1/4" (6.5 mm) drill bit
 - For concrete or wall stud: use 1/8" (3 mm) drill bit
 - If screwing into drywall, use the drywall anchors.



- 3** Attach the charging station to the wall with the wall anchoring screws.

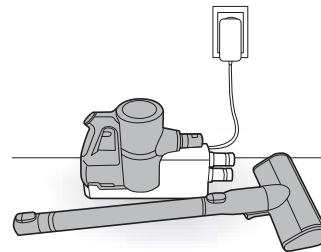


- 4** Plug the power cord into the power outlet.

Compact Installation

For safety and convenience, install the charging station using the self-standing or wall-mounted installation methods. If you choose not to install the charging station, place it on a level floor for charging or storage.

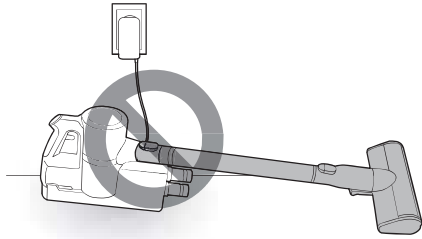
- 1** Connect the power adapter to the port on the back of the charging station.
- 2** Place the charging station on a hard and level floor.
- 3** Separate the extension pipe and nozzle from the product body before charging or storing the appliance.



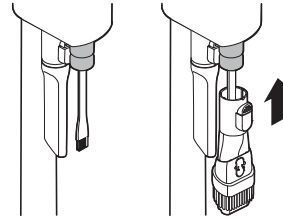
- 4** Plug the power cord into the power outlet.

⚠ CAUTION

- Leaving the appliance on a level floor for a long time with the extension pipe and nozzle attached may damage the appliance.



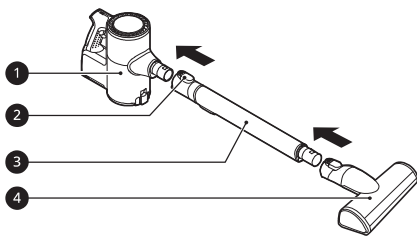
- Slide the cleaning brush up into the tool holder.
- Slide the combination tool over the cleaning brush and onto the tool holder.
- To remove a tool, press the release button at the front of the tool.



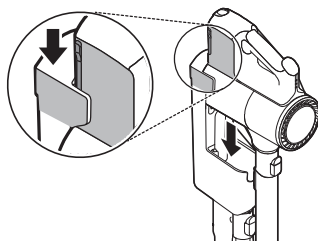
Assembling the Appliance

Follow these steps to safely assemble the appliance.

- 1 Firmly attach the extension pipe ③, nozzle ④, or tool onto the product body ①.
 - To detach the extension pipe, press the extension pipe release button ②.



- 2 Put the product body on the charging station.
 - See **Charging the Battery** for instructions on installing and charging the battery.



Storing in the Accessory Bag

If the accessory bag is included in the model you purchased, you can store the tool in the accessory bag.

⚠ CAUTION

- Do not store the product body or battery in the accessory bag. If the appliance or battery are damaged, it could cause an explosion or fire.
- Do not throw or drop the accessory bag containing accessories. It may damage the appliance or cause personal injury.

NOTE

- Do not use the accessory bag for purposes other than for storage of nozzles or tools.

Storing the Accessories

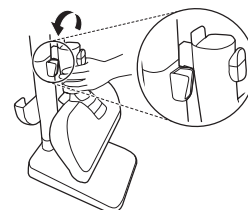
Storing the Tools

Store the frequently used tools such as the combination tool, crevice tool and cleaning brush at the bottom of the charging station.

Storing the Nozzles

When a nozzle is not in use, store it in the convenient detachable nozzle storage so you can easily find it.

- The nozzle storage cradle is compatible with the Universal Nozzle or Slim Hard Floor Nozzle.



Storing the Mop Pads

Up to 2 mop pads can be stored in the detachable mop pads storage.

- Make sure that the mop pads are completely dry before storing them to prevent unpleasant odors.

