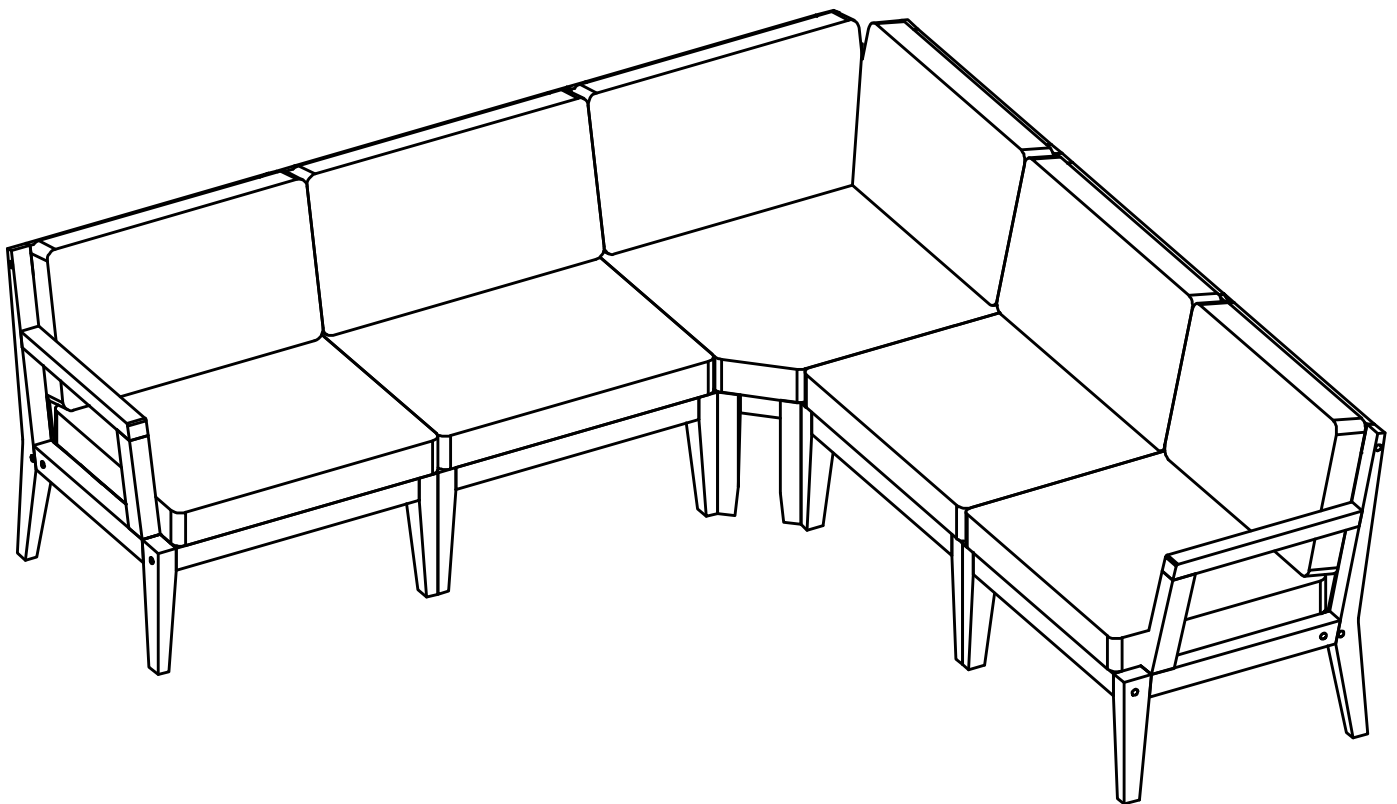


## USE AND CARE GUIDE

---

### 5PC BERMUDA DISTRESSED GREY SECTIONAL SET, INDIGO



Questions, problems, missing parts? Before returning to the store  
call Home Decorators Collection Customer Service  
8 a.m.–7 p.m., EST, Monday–Friday, 9 a.m.–6 p.m., EST, Saturday

1-800-998-7021

[HOMEDEPOT.COM/HOMEDECORATORS](http://HOMEDEPOT.COM/HOMEDECORATORS)

---

*THANK YOU*

*We appreciate the trust and confidence you have placed in Home Decorators Collection through the purchase of this [5PC BERMUDA DISTRESSED GREY SECTIONAL SET]. We strive to continually create quality products designed to enhance your home. Visit us online to see our full line of products available for your home improvement needs. Thank you for choosing Home Decorators Collection!*


# Table of Contents


<b>Table of Contents</b> .....	2	<b>Installation</b> .....	5
<b>Safety Information</b> .....	2	Armchair .....	5
<b>Warranty</b> .....	2	Armless Chair.....	6
<b>ONE YEAR LIMITED WARRANTY</b> .....	2	Corner Chair .....	7
What is Covered.....	2	Full Set .....	8
What is Not Covered.....	2	Full Set .....	9
<b>Pre-installation</b> .....	3	<b>Maintenance</b> .....	10
Tools required.....	3	<b>Care and Cleaning</b> .....	10
Hardware Included.....	3	<b>Troubleshooting</b> .....	10
Package Contents.....	4		


# Safety Information

## Important Safety Instructions

1. Read and save these instructions.
2. Follow recommended weight ratings
3. Sectional should be on a level surface and kept away from extreme heat and strong oxidizing agents. Never use petroleum or oil based products such as solvents or harsh cleaners to clean the material.
4. All set screws must be checked and re-tightened where necessary before installation.

 **DANGER:** Please keep children out of the assembly area during assembly.

 **WARNING:** Do not stand on the chairs. Do not sit on the armrests.

 **CAUTION:** Use the chairs on flat ground only.

**NOTICE:** Please read all instructions carefully before starting assembly.  
Also, we recommend that the unit is fully assembled on a level surface.  
Two people are recommended to assemble this product.  
DO NOT over torque screws and bolts.

# Warranty

## ONE YEAR LIMITED WARRANTY

### WHAT IS COVERED

This set is warranted to the original purchase to be free from defects in material or workmanship for a period of one year from the date of original retail purchase. The word “defects” is defined as imperfection that impairs the use of the product. Defects resulting from misuse, abuse or customer negligence will void this warranty.

### WHAT IS NOT COVERED

This Warranty does not cover commercial use, hardware, act of nature, fire, freezing and abusive use. This warranty does not cover defects due to alteration of accident. This warranty does not cover scratching, scuffing or other cosmetic damage that may result from normal use of the product. If the product is defective within the term of this warranty, Merry Products, Inc. will repair or replace defective parts at no cost to the purchaser. Shipping charges are not covered and are the responsibility of the purchaser.

Contact the Customer Service Team at 1-800-998-7021 or visit [www.HomeDepot.com/HomeDecorators](http://www.HomeDepot.com/HomeDecorators)

# Pre-installation

## TOOLS REQUIRED



Safety goggles

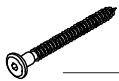


Phillips screwdriver

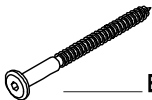
## HARDWARE INCLUDED



NOTE: Hardware not shown to actual size.



A



B

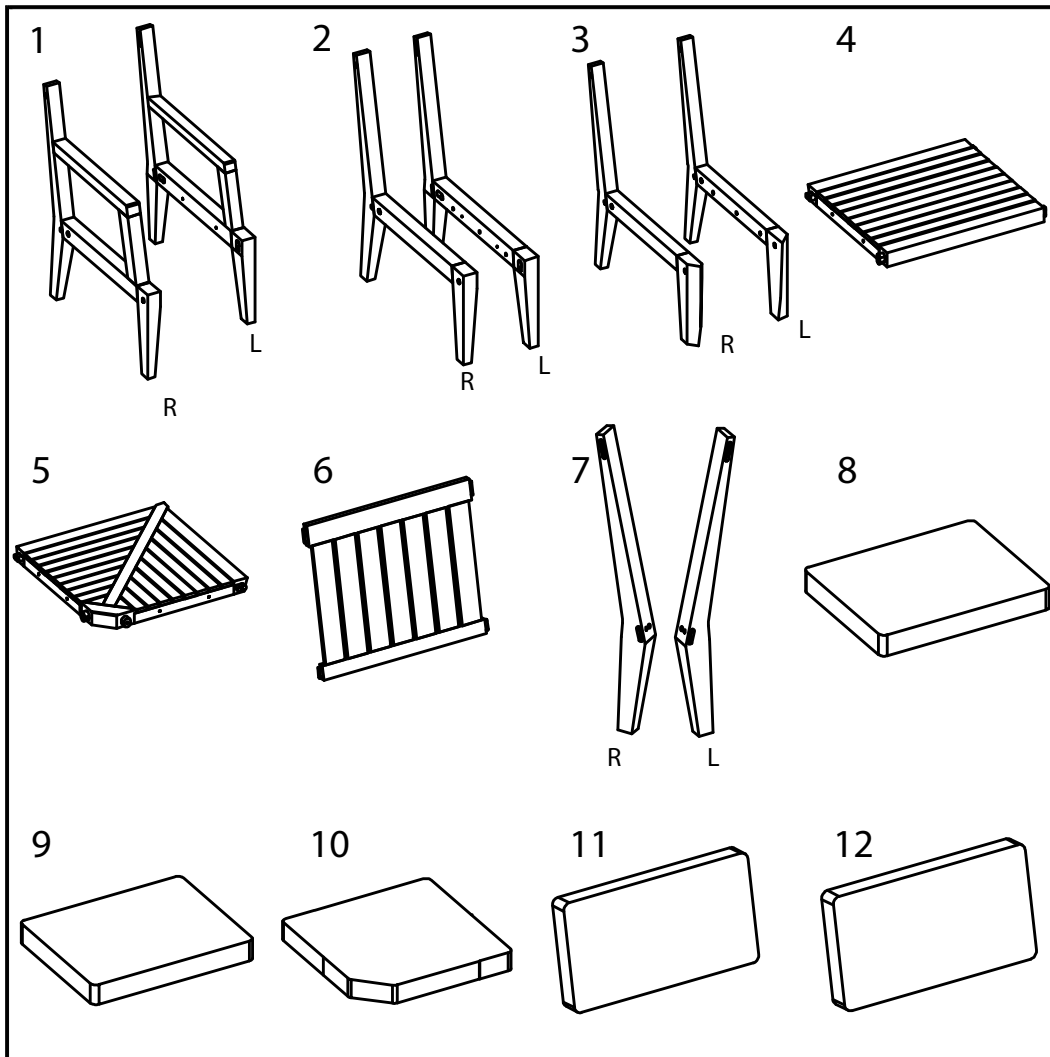


C

Part	Description	Quantity
A	SCREW 6x70x13	20
B	SCREW 7x80x15	46
C	ALLEN KEY M4	1

# Pre-installation (continued)

## PACKAGE CONTENTS

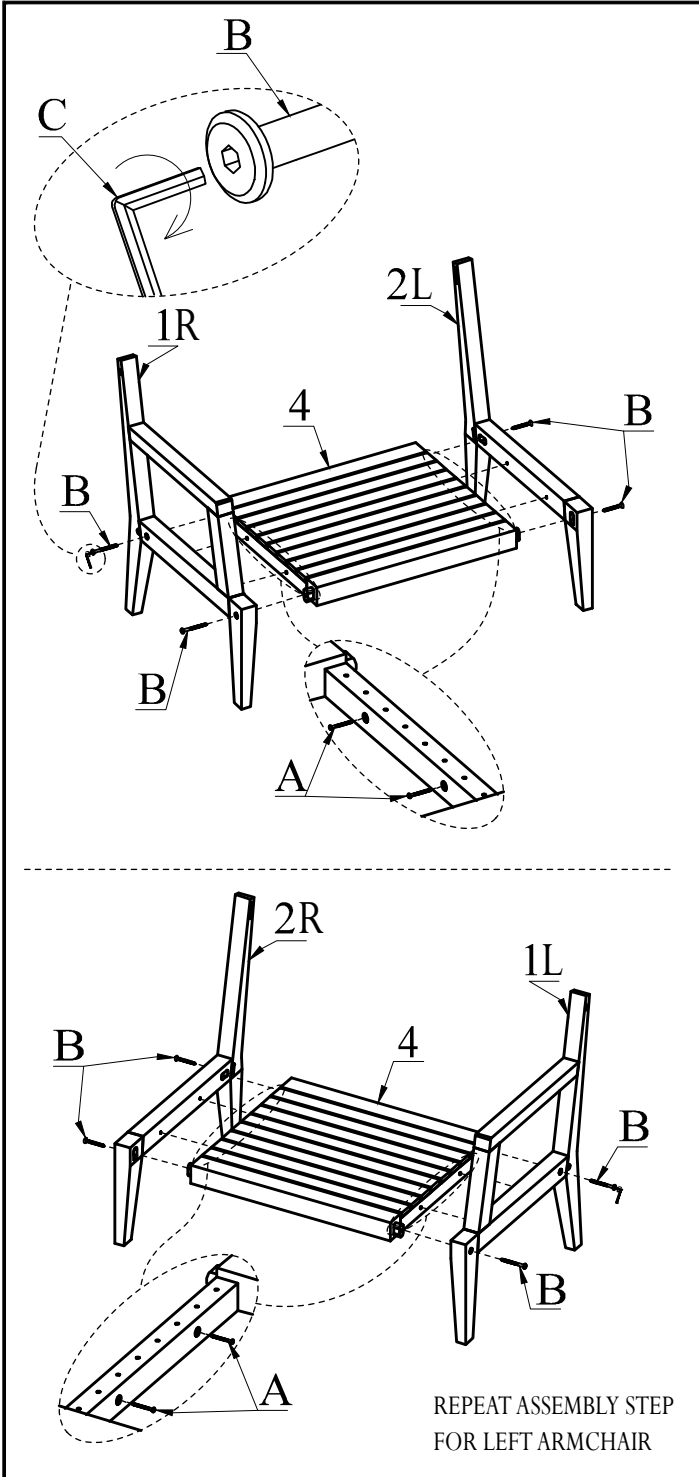


Part	Product Name	Quantity
1	Legs 1 L+R	1
2	Legs 2 L+R	3
3	Legs 3 L+R	1
4	Seat 1	4
5	Seat 2	1
6	Back	6
7	Legs L+R	1
8	Cushion 1	2
9	Cushion 2	2
10	Cushion 3	1
11	Cushion 4	2
12	Cushion 5	4

# Installation – Armchair

## 1 (Armchair) Attaching the sides.

- Using hardware B+C and A+C, attach sides 1R+2L to part 4.
- Turn hardware C (Allen Key) clockwise to tighten screws (B+A).



## 2 (Armchair) Attaching the back.

- Using hardware B+C, attach back 6 to parts 1R+2L.
- Turn hardware C (Allen Key) clockwise to tighten screws (B).

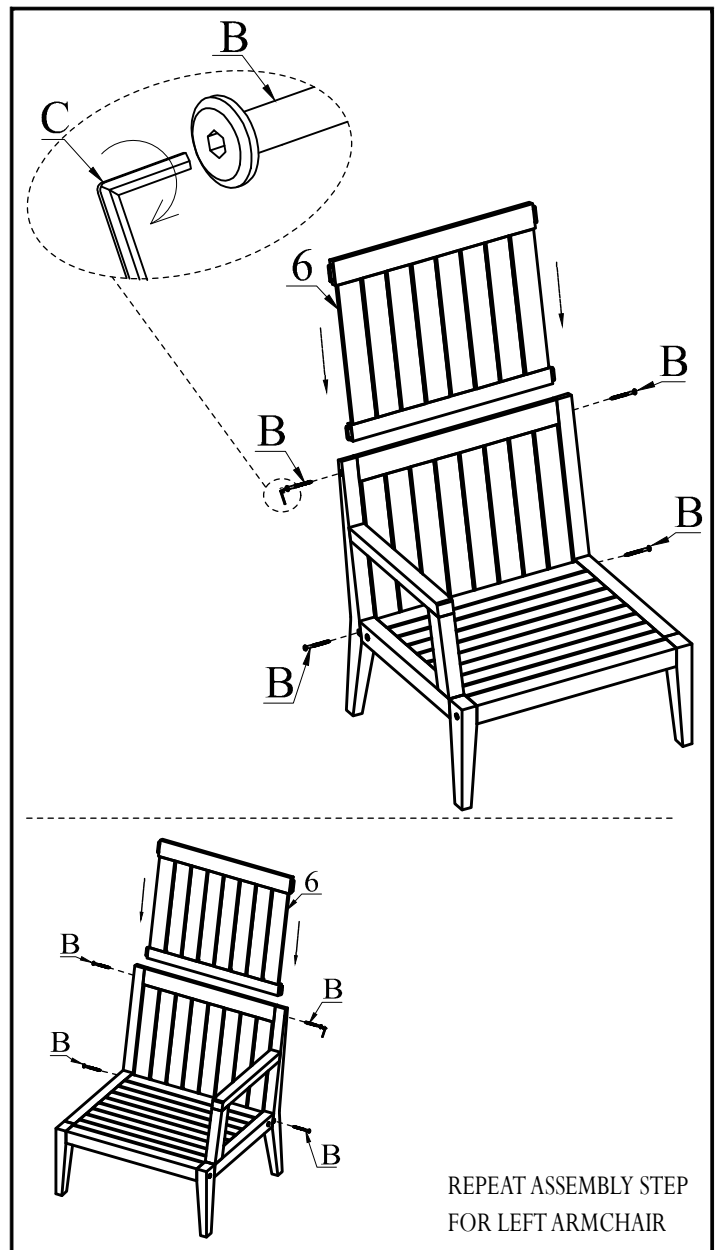


**CAUTION:** Please read all instructions carefully before starting assembly.

Also, we recommend that the unit is fully assembled on a level surface.

Two people are recommended to assemble this product.

DO NOT over torque screws and bolts.



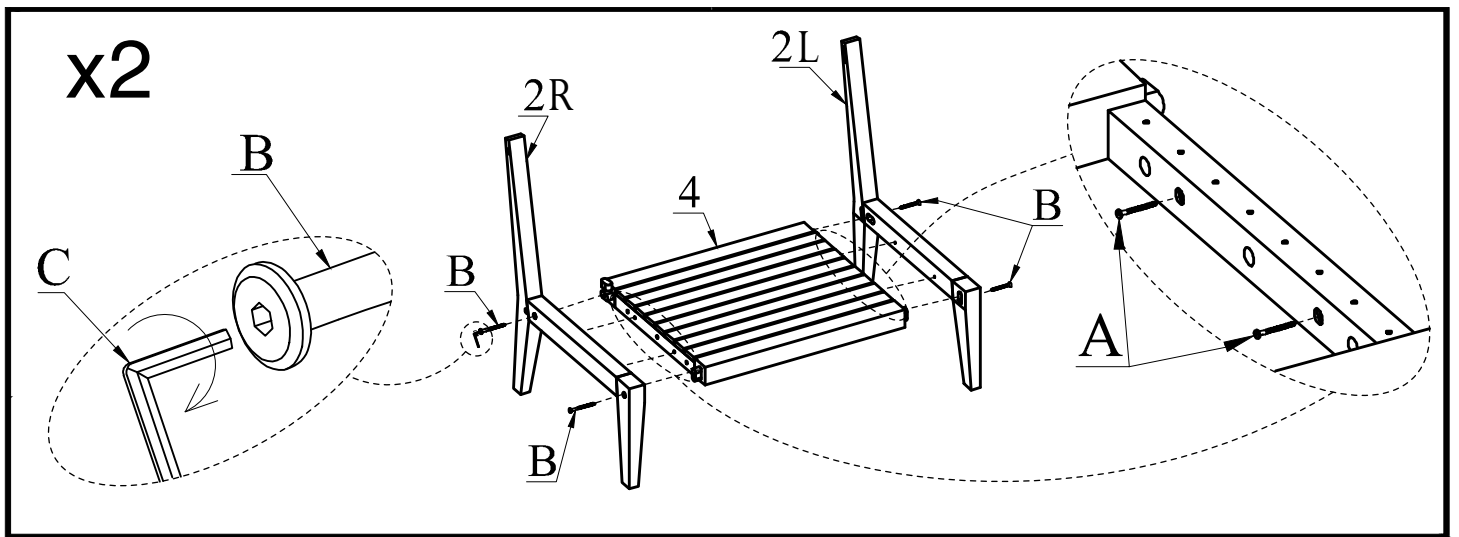
# Installation (continued) – Armless Chair

## 3 (Armless chair) Attaching the sides.

- Using hardware B+C and A+C, attach parts 2R+2L to part 4
- Turn hardware C (Allen Key) clockwise to tighten screws (B+A).

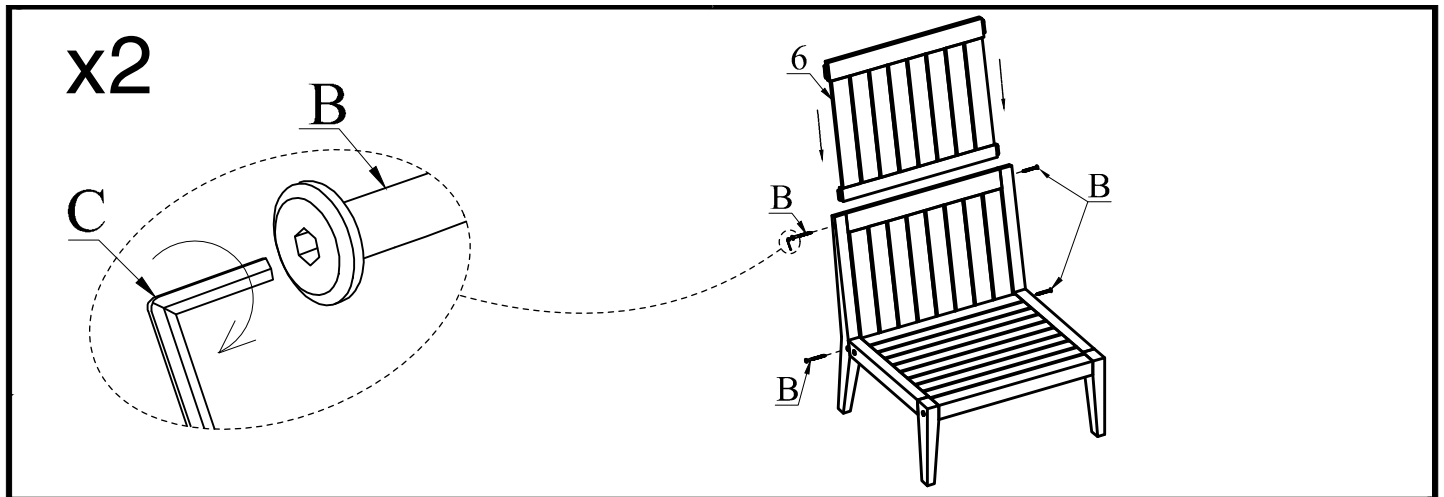


**CAUTION:** Please read all instructions carefully before starting assembly.  
Also, we recommend that the unit is fully assembled on a level surface.  
Two people are recommended to assemble this product.  
DO NOT over torque screws and bolts.



## 4 (Armless chair) Attaching the back.

- Using hardware B+C, attach part 6 to parts 2R+2L.
- Turn hardware C (Allen Key) clockwise to tighten screws (B).



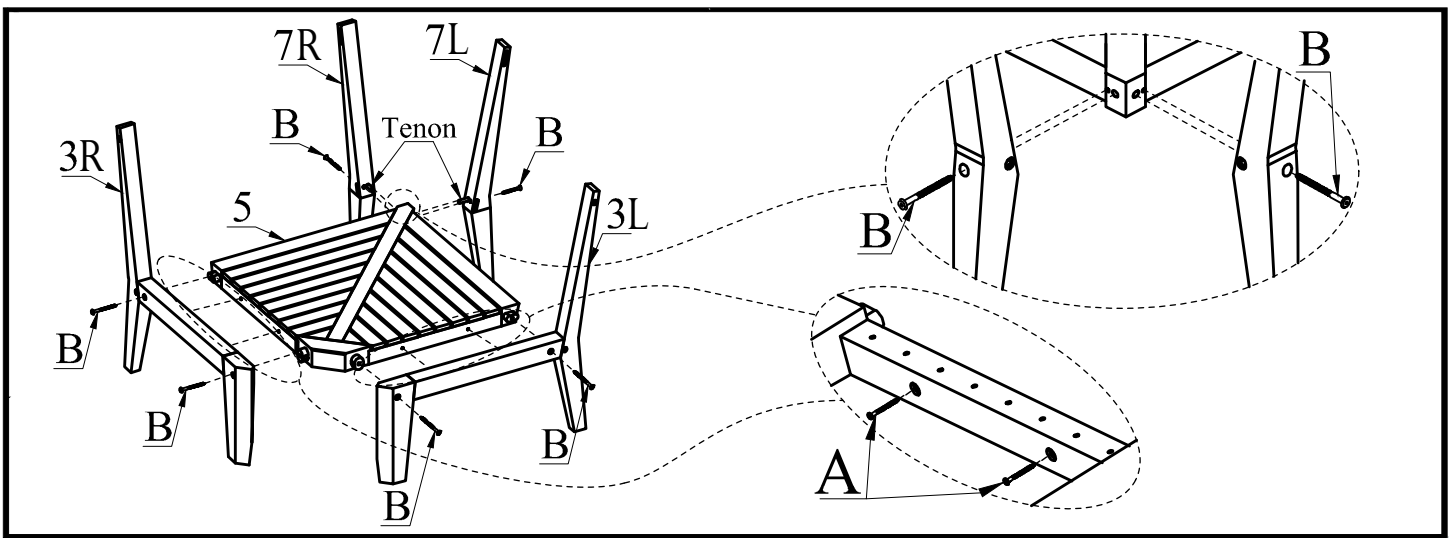
# Installation (continued) – Corner Chair

## 5 (Corner Chair) Attaching the sides.

- Using hardware B+C and A+C, attach parts 3R+7R & 3L+7L to part 5.
- Turn hardware C (Allen Key) clockwise to tighten screws (B+A).

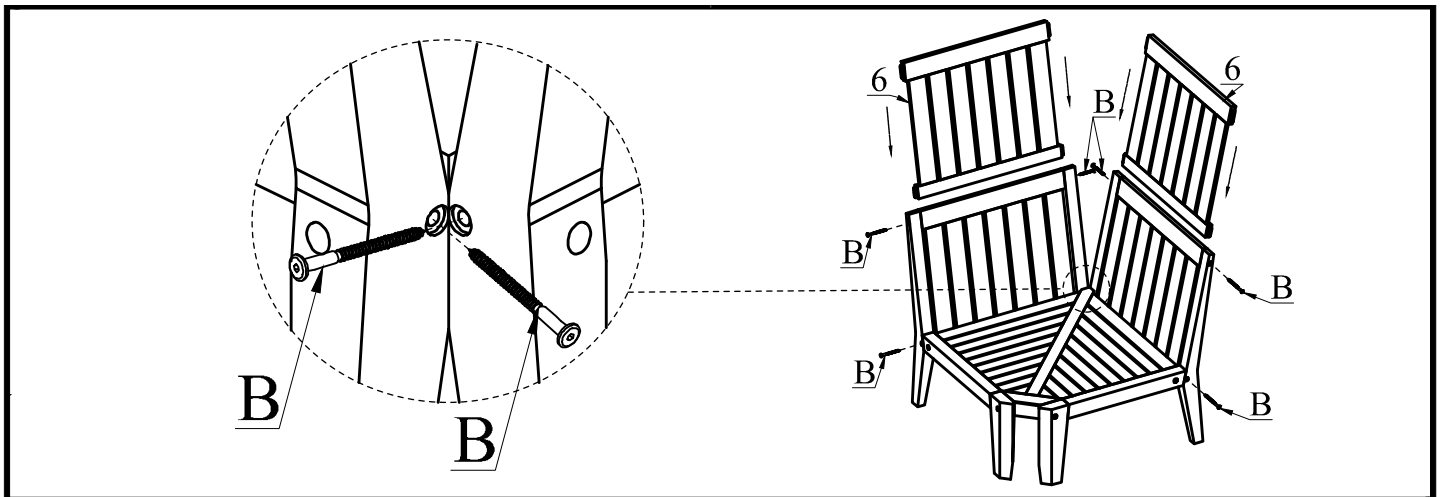


**CAUTION:** Please read all instructions carefully before starting assembly.  
Also, we recommend that the unit is fully assembled on a level surface.  
Two people are recommended to assemble this product.  
DO NOT over torque screws and bolts.



## 6 (Corner Chair) Attaching the backs.

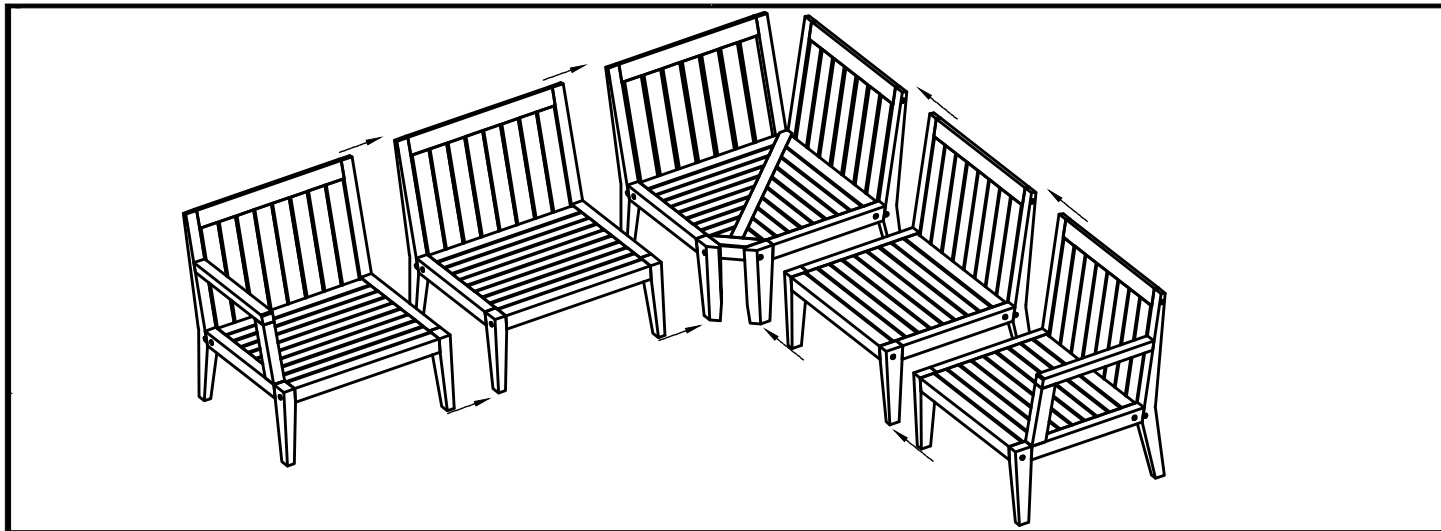
- Using hardware B+C, attach part 6 to parts 3R+7R & 3L+7L.
- Turn hardware C (Allen Key) clockwise to tighten screws (B).



## Installation (continued) – Full Set

### 7 Assembling the set.

- Slide chairs together as shown below.

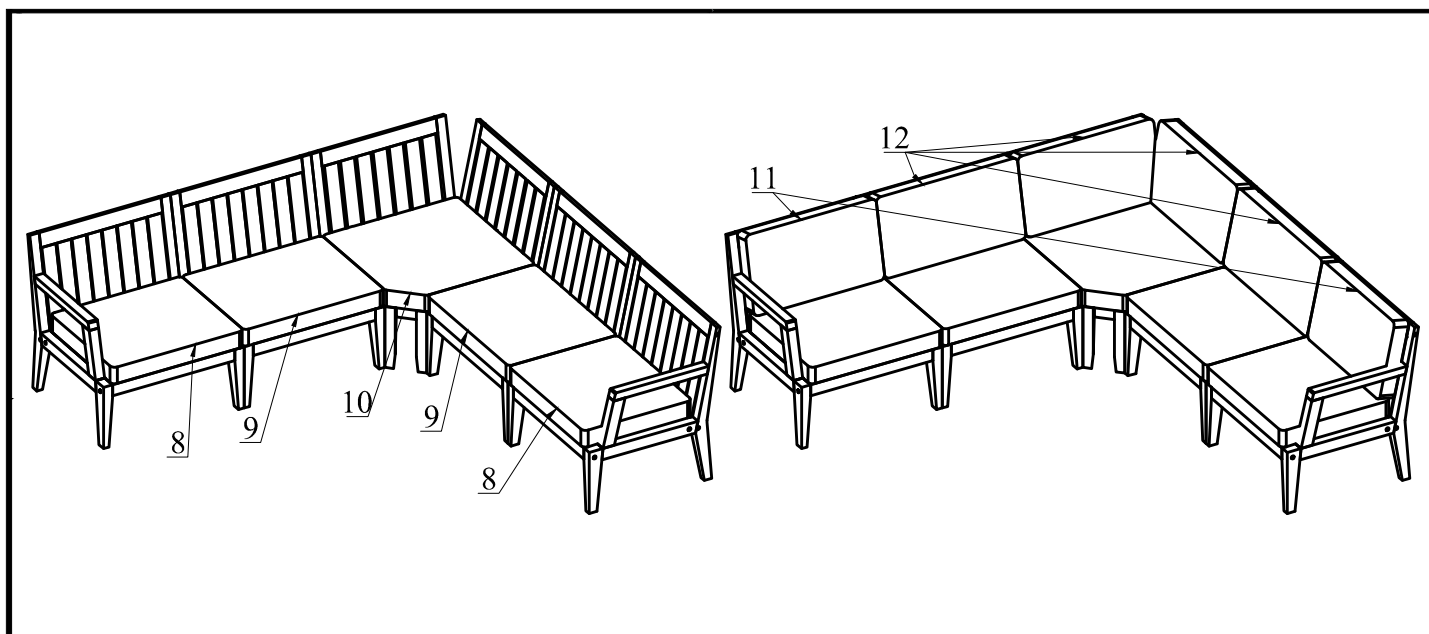


### 8 Attaching the cushions.

- Place cushions 8, 9, 10 onto the corresponding chairs
- Place cushions 11+12 onto the backs of the corresponding chairs.



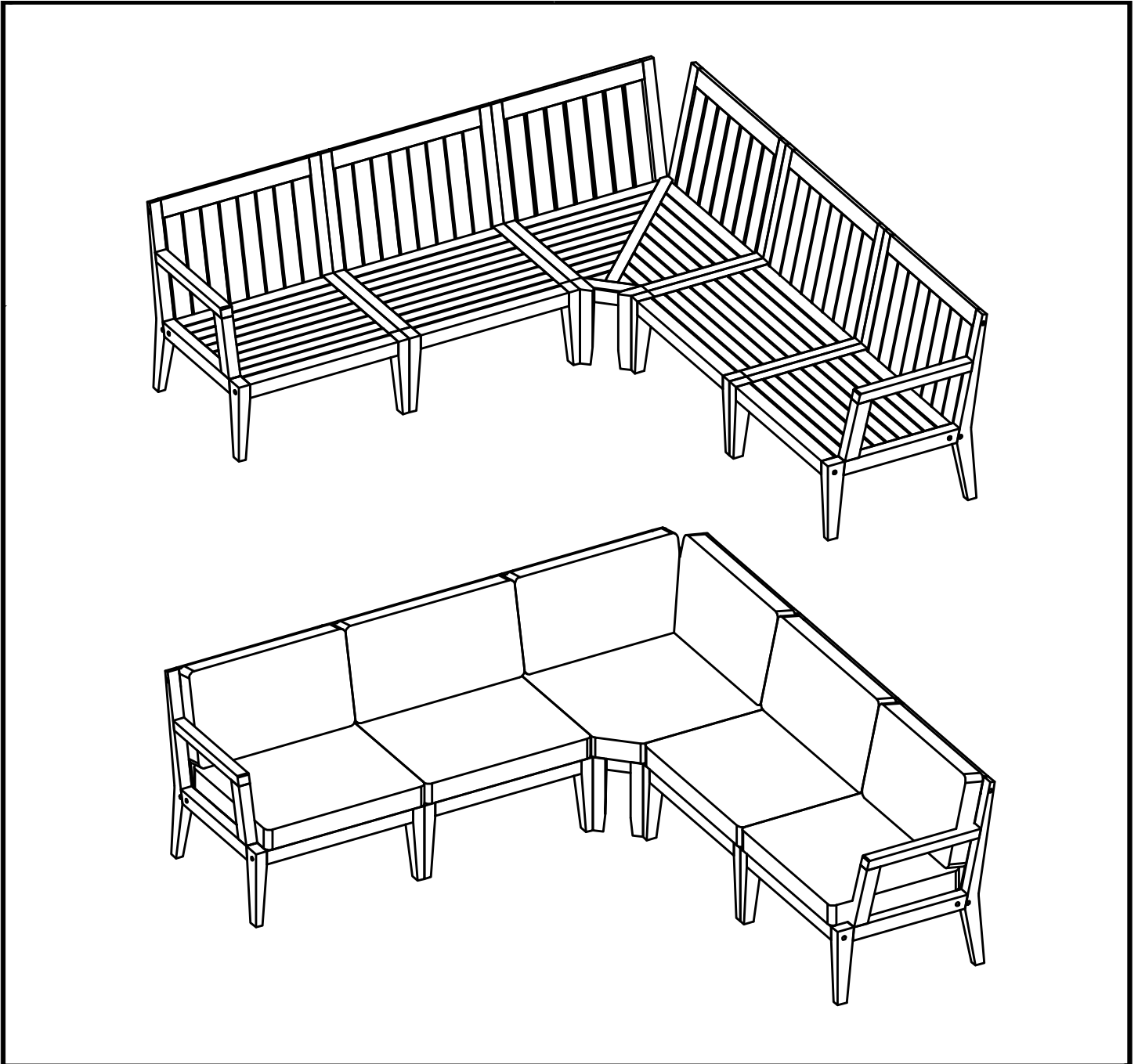
**NOTE:** Attach seat cushions before attaching the back cushions.





## Installation (continued) – Full Set

### 9 Ready to Use



## Maintenance

- Cover furniture during harsh weather to keep it from weathering.
- The Home Decorators Bermuda Collection has been conditioned for outdoor use. To maintain the beauty and life expectancy of the bench, it is highly recommended that you treat the bench with a weather proof coating once a year.

## Care and Cleaning

- When assembling The Home Decorators Bermuda Collection, please handle all panels and/or hardware with care to avoid any possibilities of damages and/or injuries.
- Rinse any panels with water to clean.
- Keep small parts and pieces away from children until fully assembled.
- Please check for any loose screws and tighten them before you use.
- We recommend that the unit is fully assembled on a level surface.
- Two people are recommended to assemble this product.

## Troubleshooting

Problem	Solution
Screws are misaligned with holes.	<ul style="list-style-type: none"><li>□ Wait until the end to fully tighten all of the screws.</li><li>□ Only partially tighten the screws as you assemble the different parts.</li></ul>
Backrest doesn't fit between chair sides.	<ul style="list-style-type: none"><li>□ Make sure screws are only partially tightened in the sides.</li><li>□ Gently spread the tops of each side assembly to slide in the backrest.</li></ul>
Chairs do not sit flat.	<ul style="list-style-type: none"><li>□ We recommend that the unit is fully assembled on a level surface.</li><li>□ Assembling the chairs on uneven ground may cause them to become misaligned/wobbly.</li></ul>

# HOME DECORATORS COLLECTION

Questions, problems, missing parts? Before returning to the store,  
call Home Decorators Collection Customer Service  
8 a.m. – 7 p.m., EST, Monday – Friday, 9 a.m. – 6 p.m., EST, Saturday

1-800-998-7021

[HOMEDEPOT.COM/HOMEDECORATORS](http://HOMEDEPOT.COM/HOMEDECORATORS)

Retain this manual for future use.