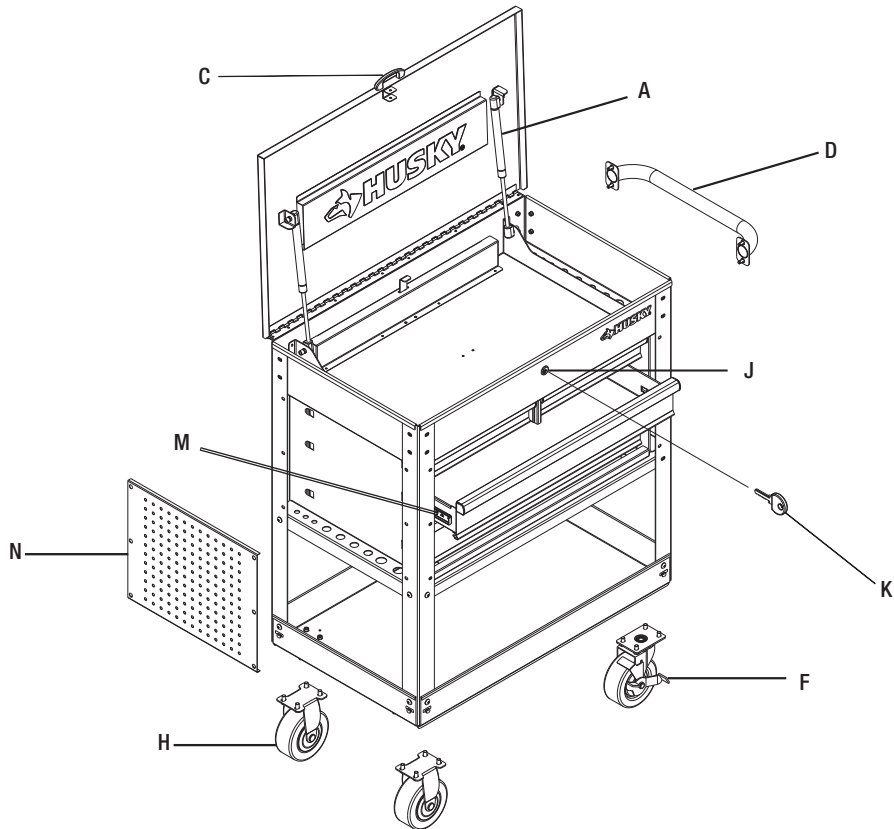


Service Parts



Part	Item No.	Description	Quantity
A	K0509029	Gas lift	2
C	K1811002	Lid handle	1
D	D6TC040012	Side handle	1
F	K03220265	Swivel caster with brake	2
H	K03220263	Rigid caster	2
J	K06120022	Lock	1
K	K06120021	Keys (set)	1
M	K0261001	Drawer slide (pair)	4
N	B4B080UC33E1814A	Pegboard	1