

Sku # 1001-288-349
Model # D6TC09002



USE AND CARE GUIDE

HUSKY 52 IN. PEGBOARD BACK WALL

Questions, problems, missing parts?

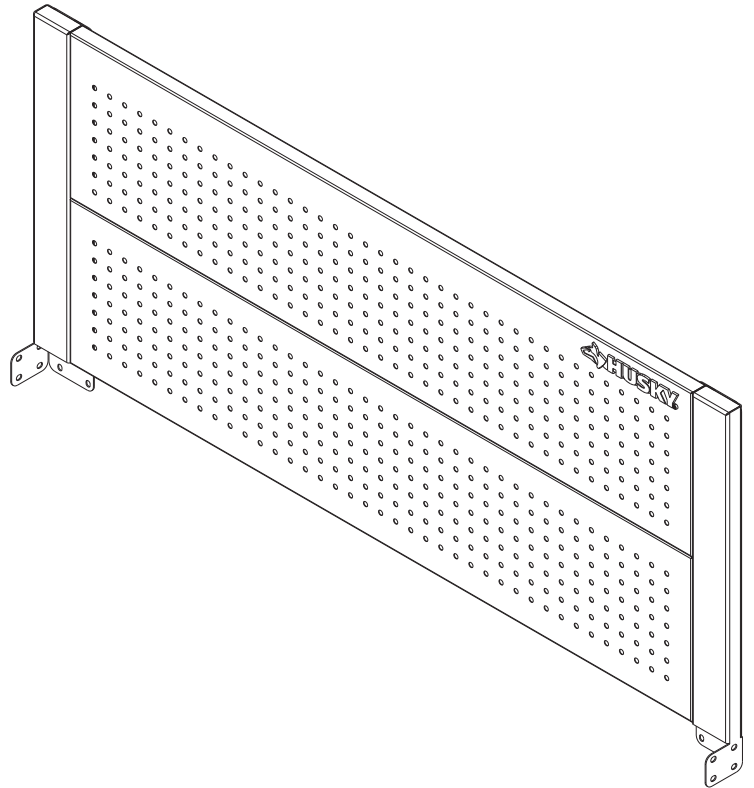
Before returning to the store, call

Husky Customer Service

8 a.m. - 7 p.m., EST, Monday-Friday, 9 a.m. - 6 p.m., EST, Saturday

1-888-43-HUSKY

HUSKYTOOLS.COM



THANK YOU

We appreciate the trust and confidence you have placed in Husky through the purchase of this pegboard. We strive to continually create quality products designed to enhance your home. Visit us online to see our full line of products available for your home improvement needs. Thank you for choosing Husky!

Table of Contents

Table of Contents	2	Assembly	6-9
Safety Information.....	2	Operation	9
Warranty	3	Care and Cleaning	9
Pre-Assembly.....	4	Service Parts	10
Tools Required	4		
Hardware Included	4		
Specifications.....	4		
Package Contents	5		

Safety Information

1. This pegboard has three different assembly methods. It can be installed directly on a wall (Assembly Method C) or on a variety of Husky 52" Mobile Workbenches. Be sure to match your model number to the Assembly Method A or B.
2. Do not alter this product in any manner.
3. Do not let children approach the product.



DANGER: Do not stand on this product. You may fall or cause the product to tip.



WARNING: When assembled to a workbench, keep the unit on a level surface. The unit may become unstable and tip if stored or moved on an uneven surface.



CAUTION: Do not exceed the maximum weight loading capacity. See Specifications on page 4.



CAUTION: Only transport this product when empty. Properly secure when transporting.

Warranty

The manufacturer warrants the product to be free from defects in materials and workmanship for a period of three (3) years from date of purchase. This warranty applies only to the original consumer and only to products used in normal use and service. If this product is found to be defective, the manufacturer's only obligation, and your exclusive remedy, is the repair or replacement of the product at the manufacturer's discretion, provided that the product has not been damaged through misuse, abuse, accident, modifications, alteration neglect or mishandling. This warranty shall not apply to any product that is found to have been improperly installed, set-up, or used in any way not in accordance with the instructions supplied with the product. This warranty shall not apply to a failure of the product as a result of an accident, misuse, abuse, negligence, alteration, faulty installation, or any other failure not relating to faulty material or workmanship. This warranty shall not apply to the finish on any portion of the products such as surface and/or weathering, as this is considered normal wear and tear.

The manufacturer does not warrant and specifically disclaims any warranty, whether express or implied, of fitness for a particular purpose, other than the warranty contained herein. The manufacturer specifically disclaims any liability and shall not be liable for any consequential or incidental loss or damage, including but not limited to any labor/expense costs involved in the replacement or repair of said product.

Contact the Customer Service Team at 1-888-43-HUSKY or visit www.huskytools.com.

Pre-assembly

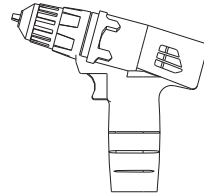
TOOLS REQUIRED



Safety goggles



Phillips screwdriver



Power drill



10 mm. socket



1/8 in. drill bit

Only needed for Assembly B

HARDWARE INCLUDED



NOTE: Hardware not shown to actual size.

Only needed for Assembly B



AA



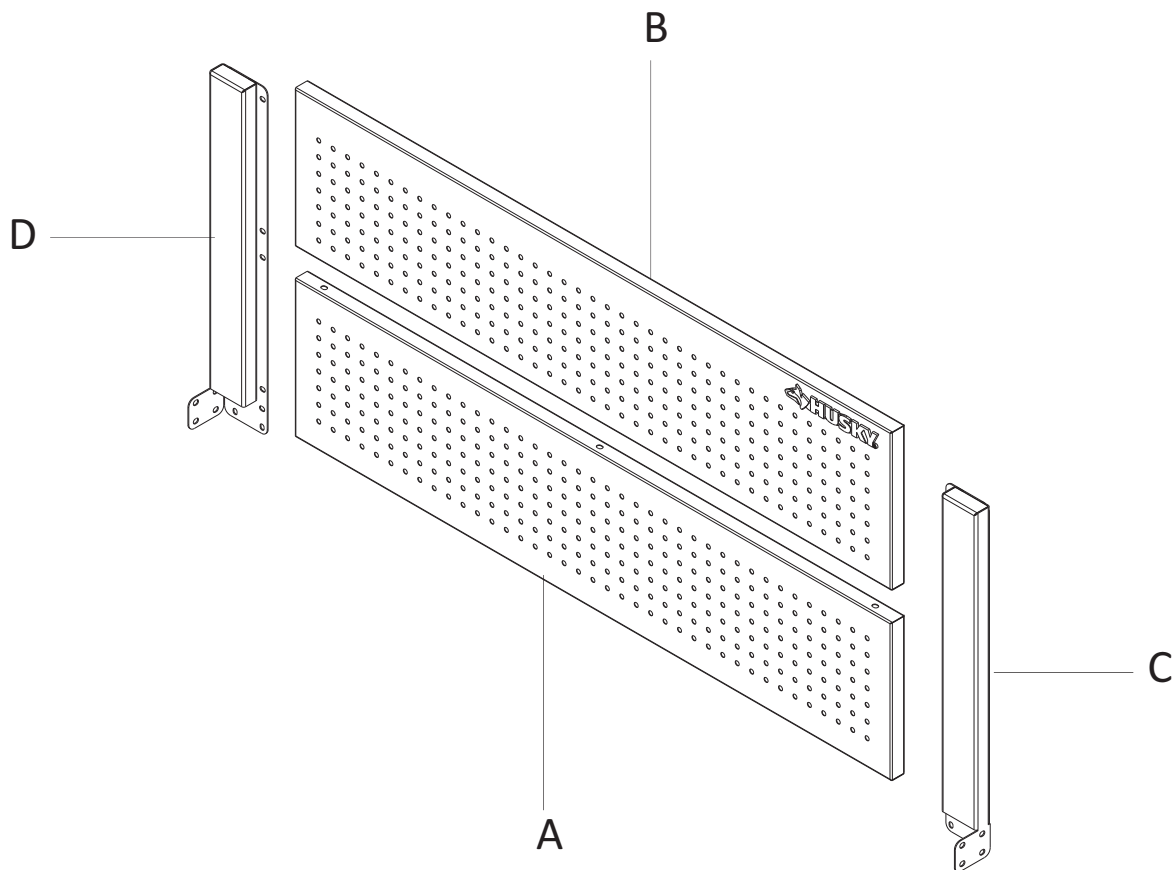
BB

Part	Description	Quantity
AA	Screw M6 x 12L	19
BB	Self-drilling Screws 1/4 in. X 3/4 in. L (Only needed for assembly B)	16

SPECIFICATIONS

Maximum capacity	100 lbs
------------------	---------

PACKAGE CONTENTS



Part	Description	Quantity
A	Bottom Pegboard Panel	1
B	Top Pegboard Panel	1
C	Right Support Post	1
D	Left Support Post	1

Assembly

A. Mounting the pegboard back wall to the Husky 52 in. 10-Dr Mobile Workbench Model#HOTC5210B1AD, SKU#1001-075-943 Model#75809AHR, SKU#1001-081-787 Model#HTBX105F, SKU#1001-257-215

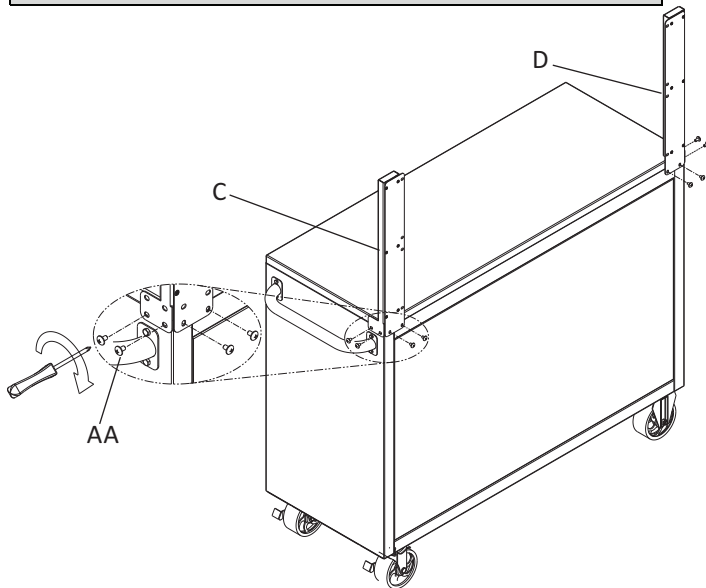


WARNING: Use special care to not over-tighten any of the screws to avoid damage to the pegboard or mobile workbench.

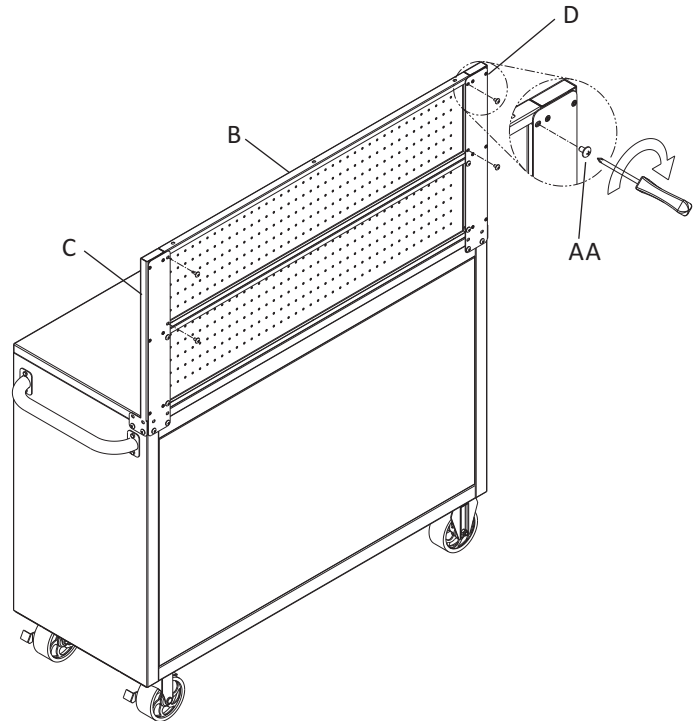
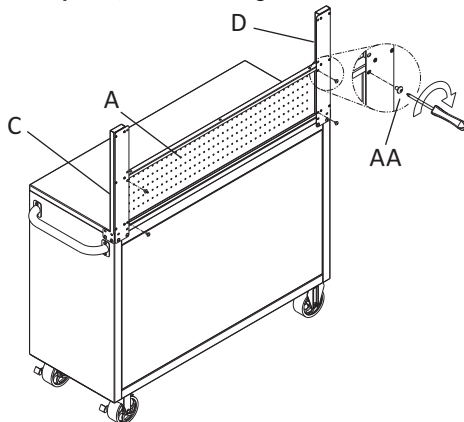
1. Place the right support post (C) on the back side of the mobile workbench. Ensure the support post lines up with the four bottom holes and secure the post using the four M6 screws (AA). Secure the post, but do not tighten the screws at this time so that the support post has some movement.
2. Repeat step 1 for the left support post (D).



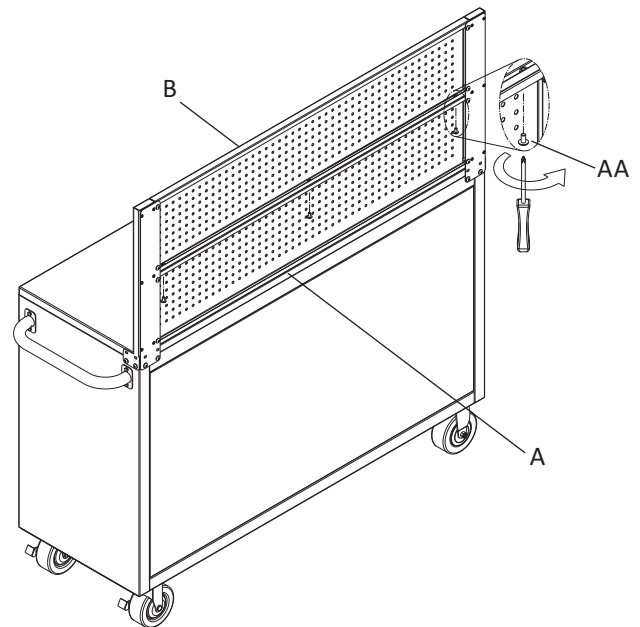
NOTE: If the workbench comes with pre-installed threads on each corner, it is not necessary to install the self-drilling screws (BB) into the four top holes of each post. If the mobile workbench does not have pre-installed threads on each corner, please refer to Assembly B.



5. Attach the bottom pegboard panel (A) to the right support post (C) and left support post (D) using four M6 screws (AA). Secure the pegboard to the posts, but do not tighten at this time.
6. Attach the top pegboard panel (B) to the right support post (C) and left support post (D) using four M6 screws (AA). Secure the pegboard to the posts, but do not tighten at this time.



7. Ensure the front pegboard panels are flush. Using a Phillips-head screwdriver, tighten the three M6 screws (AA) to connect the bottom panel (A) and top panel (B) together.



8. Carefully, tighten the eight M6 screws (AA) to secure the support posts (C) and (D) to the mobile workbench. Do not over-tighten the screws to avoid damage to the mobile workbench.
9. Ensure the pegboard panel is flush and square, then carefully tighten the eight M6 screws (AA) to secure the pegboard panels to both support posts.

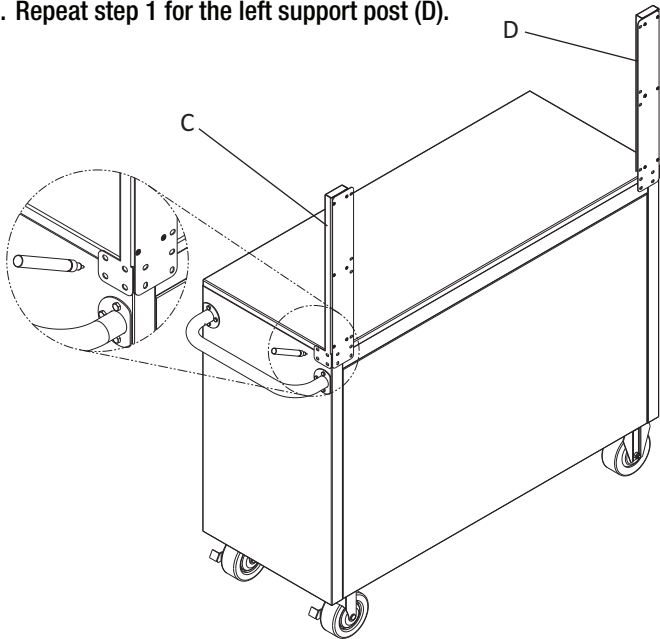
Assembly (continued)

B. Mounting the pegboard back wall to the Husky 52 in. 11-Dr Mobile Workbench Model#HOTC5211B1QBD, SKU#1000-031-149

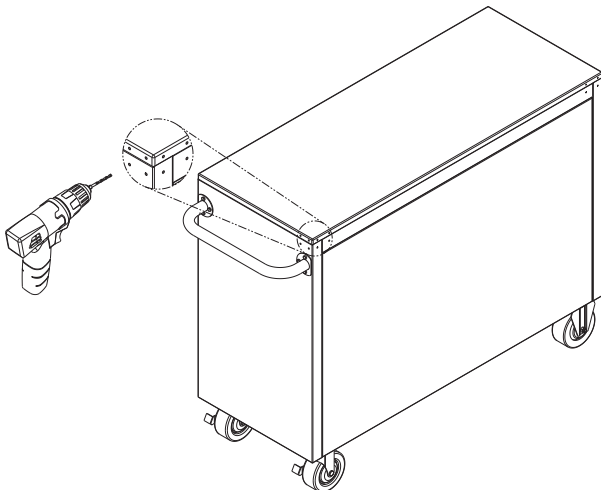


WARNING: Use special care to not over-tighten any of the screws to avoid damage to the pegboard or mobile workbench. Attaching this product to your mobile workbench requires drilling holes into the mobile workbench. Use special care not to damage the wood top or mobile workbench.

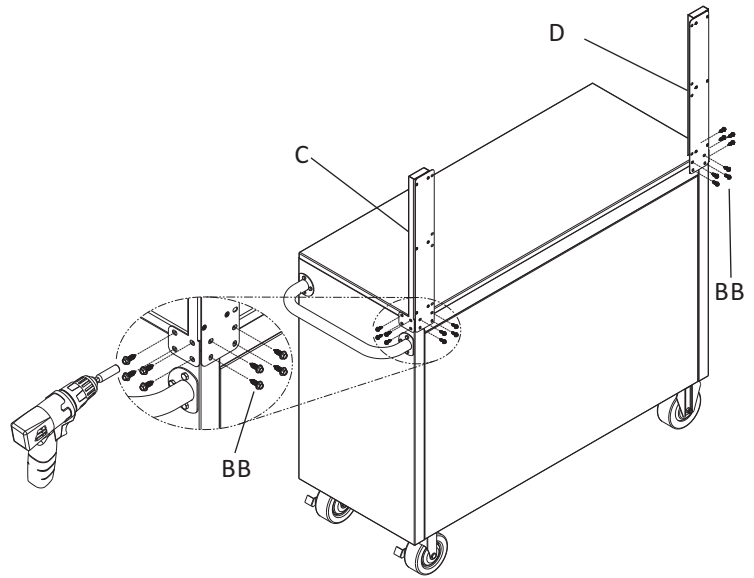
1. Place the right support post (C) on the back of the mobile workbench. Ensure the support post is flush and level. Use a marker to mark the eight holes in the bottom plate which connect the post to the mobile workbench. Remove the support post (C).
2. Repeat step 1 for the left support post (D).



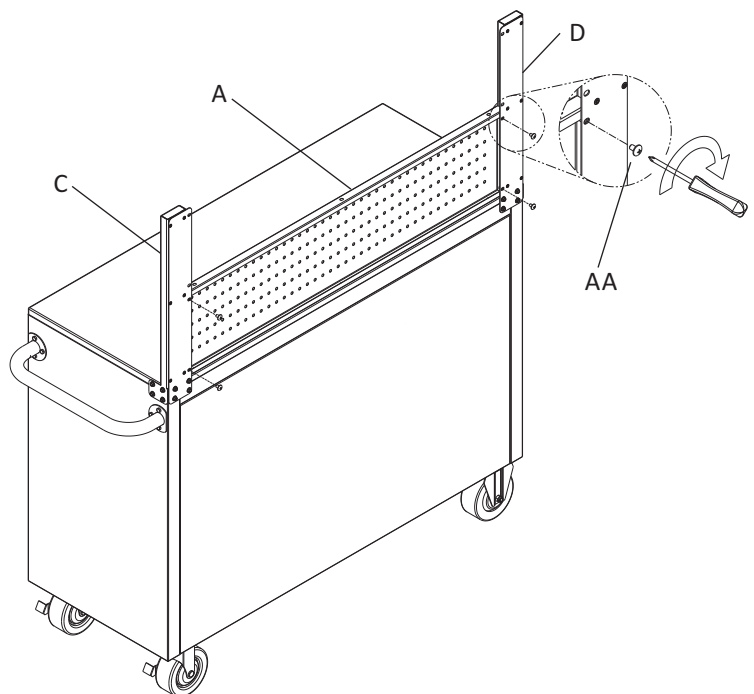
3. Using a power drill and 1/8 in. drill bit, drill the eight marked holes into the sides of the wood top and metal corners of the workbench. Ensure you drill on a level plane and only 3/4 in. deep into the wood top and metal sides to avoid damage to the mobile workbench.
4. Repeat step 3 to drill the holes for the other support post (D).



5. Attach the right support post (C) to the back of the mobile workbench using eight self-drilling screws (BB) and a 10 mm socket. Secure the post, but do not tighten the screws at this time so that the support post has some movement.
6. Repeat step 5 to attach the left support post (D).

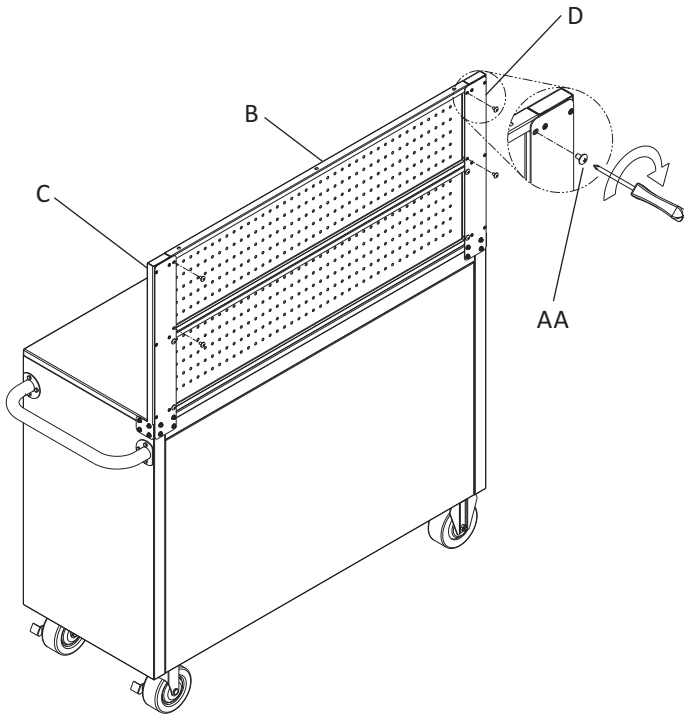


7. Attach the bottom pegboard panel (A) to the right support post (C) and left support post (D) using four M6 screws (AA). Secure the pegboard to the post, but do not tighten at this time.

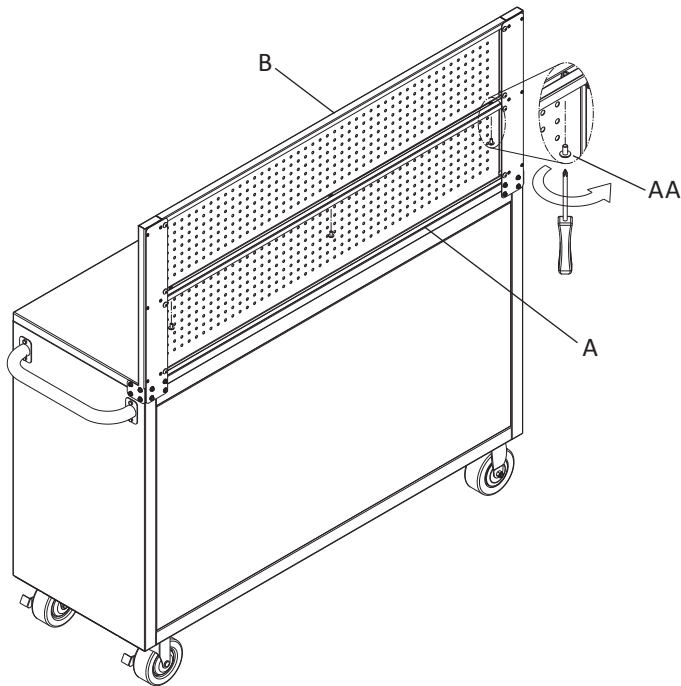


Assembly (continued)

8. Attach the top pegboard panel (B) to the right support post (C) and left support post (D) using four M6 screws (AA). Secure the pegboard to the post, but do not tighten at this time.



9. Ensure the front pegboard panels are flush. Using a Phillips-head screwdriver, tighten the three M6 screws (AA) to connect the bottom panel (A) and top panel (B) together.



10. Carefully, tighten the sixteen self-drilling screws (BB) to secure the support posts (C) and (D) to the mobile workbench. Do not over-tighten the screws to avoid damage to the mobile workbench's wood top and steel corners.
11. Ensure the pegboard panel is flush and square, then carefully tighten the eight M6 screws (AA) to secure the pegboard panels to both support posts.

Assembly (continued)

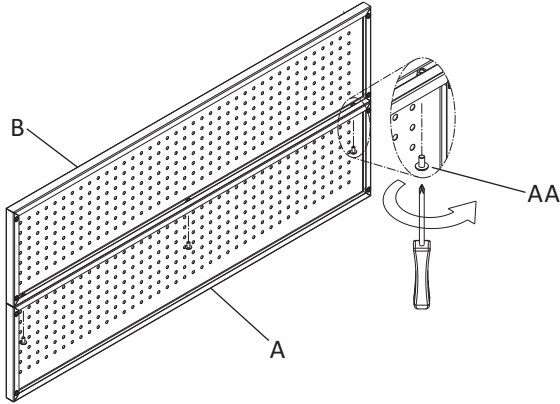
Operation

C. Mounting the Pegboard Panels directly to a wall



NOTE: Hardware is not included to secure pegboard panels to a wall.

1. On a flat level surface, align the long sides of the top panel (B) and bottom panel (A) together and using a Phillips-head screwdriver, tighten the three M6 screws (AA) to connect the panels together.

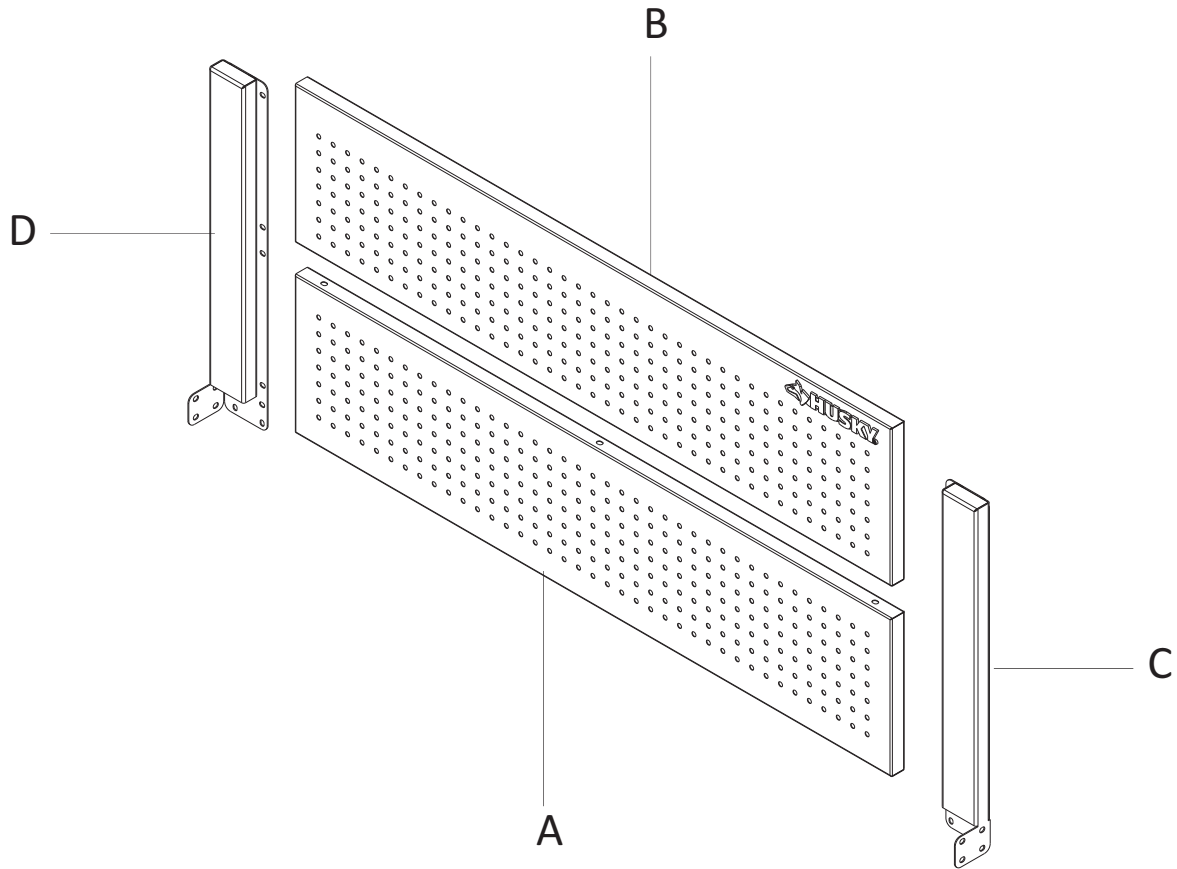


2. Locate the studs inside the wall where you wish to place the pegboard and mark them.
3. Place the attached pegboard panels on the wall in the desired location and locate the peg holes over the marked studs on the wall. Ensure the pegboard is level, then using a minimum 2.5 in. long screw and 1/2 in. washer, secure the pegboard panels into wall studs in all four corners at minimum.

The peg holes will accommodate all standard size 1/8 in. and 1/4 in. peg hooks.

Care and Cleaning

- This steel product has been coated with industrial powder coating for a durable finish. To help protect this finish, do not allow harsh chemicals such as oil or grease to remain on the powder coating surface. Use a glass cleaner (Windex® or equivalent product) to clean and maintain all powder coated surfaces.



Part	Part#	Description	Quantity
A	B4B080TC52E3735A	Bottom Pegboard Panel	1
B	B4B080TC52E3736A	Top Pegboard Panel	1
C	B4C150TC46E3733A	Right Support Post	1
D	B4C150TC46E3732A	Left Support Post	1



Questions, problems, missing parts? Before returning to the store, call
Husky Customer Service
8 a.m.-7 p.m., EST, Monday-Friday, 9 a.m. - 6 p.m. EST Saturday

1-888-43-HUSKY

HUSKYTOOLS.COM

Retain this manual for future use.