

# INSTALLATION INSTRUCTIONS

## Passage™ Shower Bases

MODELS: A8011T-RHO, A8011T-LHO

*American  
Standard*

Visit <http://www.americanstandard-us.com/passage-collection> for coordinating products.

*Thank you for selecting American Standard...the benchmark of fine quality for over 140 years. To ensure that your installation proceeds smoothly--please read these instructions carefully before you begin.*

Local building codes vary by location. Observe all local plumbing and building codes.

### TOOLS & MATERIALS REQUIRED

#### TOOLS:

- Level
- Pencil
- Square
- Tape Measure
- Pipe Wrench
- Slip Joint Pliers
- Screw Driver
- Standard Woodworking Tools
- Personal Safety Equipment
- Caulking Gun

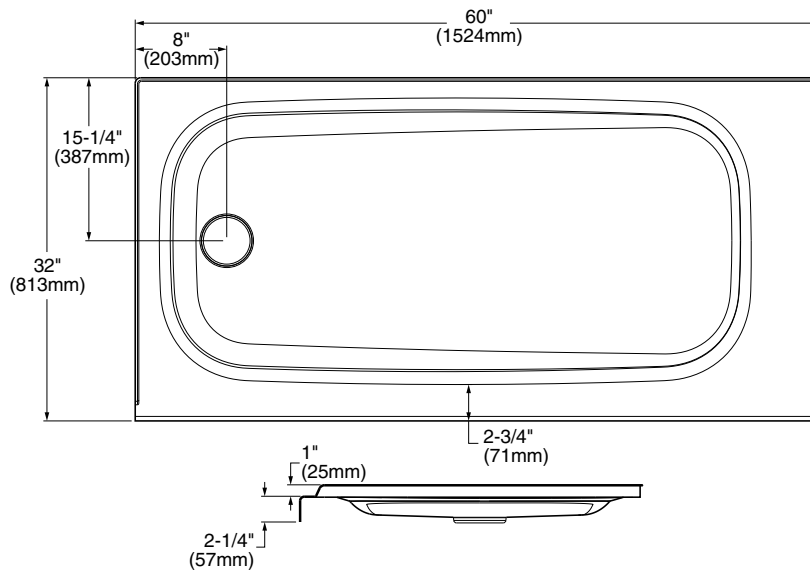
#### MATERIALS:

- Silicone Sealant
- Drop Cloth
- Mortar Mix or Grout

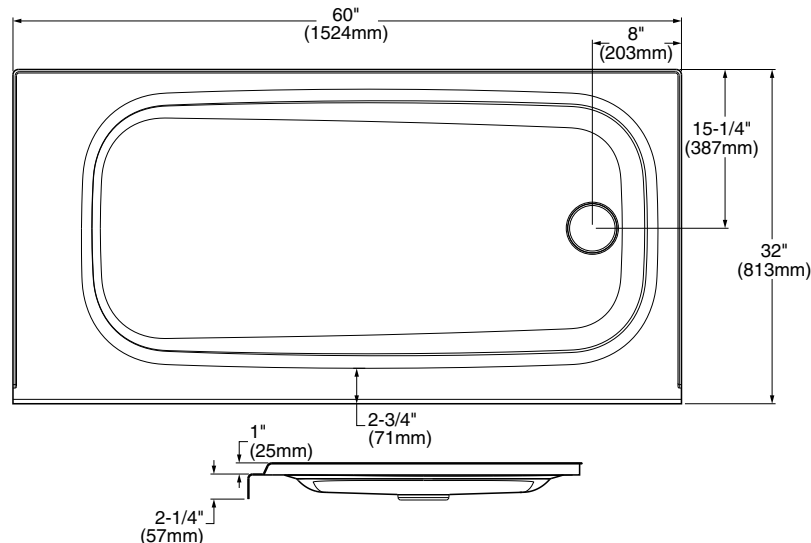
**NOTE: Read instructions completely before proceeding with installation.**

The opening dimensions should be at least 1/8" (3mm) larger than dimensions shown.  
For the best fit, the opening measurements should be verified against the actual shower base received.

**A8011T-LHO**



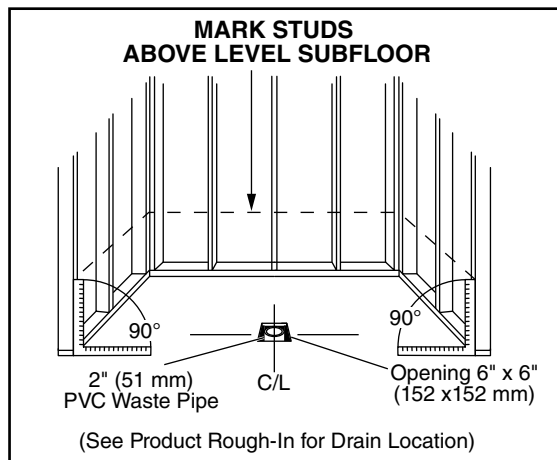
**A8011T-RHO**



SAVE FOR FUTURE USE

**1**

Ensure that the floor and stud walls are square and plumb on a level floor as shown in **Figure A**. Provide a 5" x 5" (127 x127 mm) opening in the floor for the drain and refer to the product rough-in for actual drain location. Draw a line 3-1/4" (82 mm) above the level subfloor on the wall studs at each side of the opening.

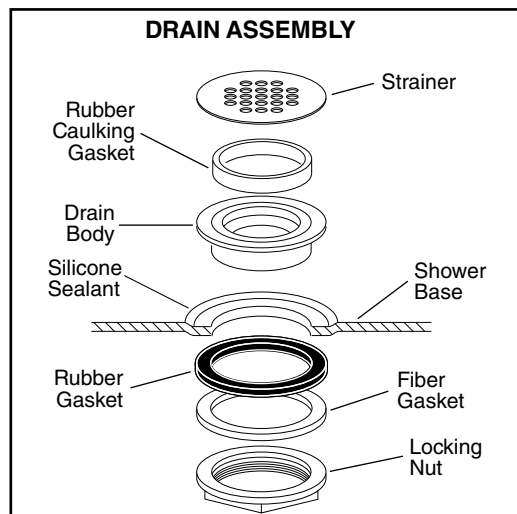


**FIGURE A**

**2**

All of the shower bases require purchasing a round shower strainer type drain for use with a standard 2" (51 mm) plastic schedule 40 waste pipe. **Figure B** shows the typical drain assembly. Before installing drain into the shower base, remove strainer. (**Fig B**) This will be installed after shower base is in its final position. Cut the waste pipe height so that the drain body will fit snug in the shower base. Apply silicone sealant between the drain body and shower base.

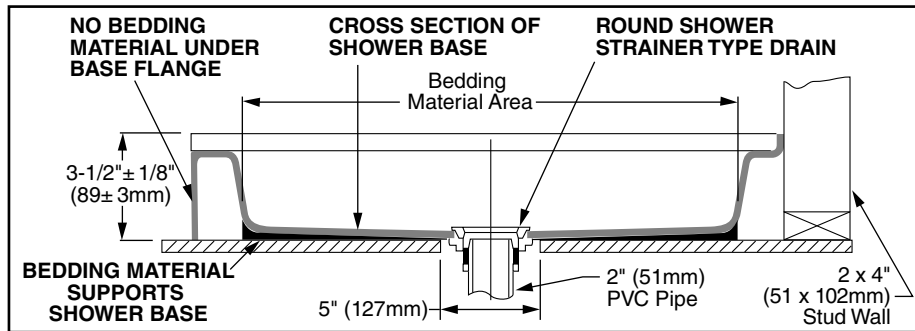
**NOTE:** Drain not included and must be purchased separately.



**FIGURE B**

**3** Mix a non-shrinking bedding material such as mortar and apply enough bedding material to support the entire bottom of the shower base.

**Concrete is NOT recommended. The shower base is NOT to be supported by the base flange.**

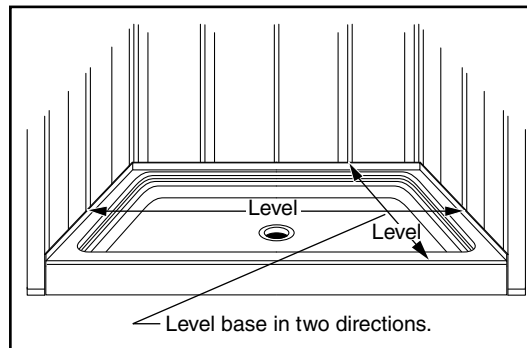


**FIGURE C**

**4** After the bedding material has been poured and before it sets, lower the shower base into position with the drain assembly sliding over the waste pipe (Fig. C). It will be necessary to "rock" the shower base until the top of the tile flange aligns with the lines drawn on the stud walls from Step 1. Make sure the apron is contacting the rough floor along the entire length of the shower base and ensure that the base is level in two directions as shown in Figure D.

**Note:** Allow the bedding material to completely harden before applying weight to the bottom of the shower base.

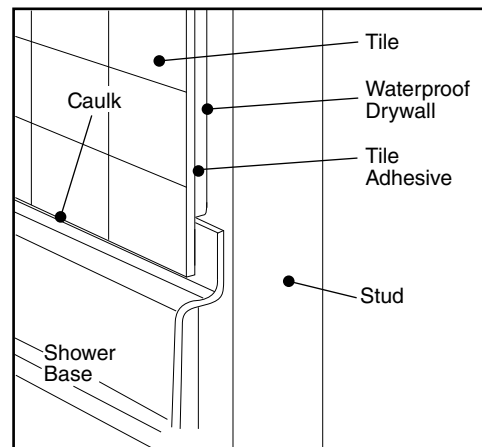
Place strainer back into place and conduct a water test of drain and plumbing to ensure there are no leaks.



**FIGURE D**

**5** Tape over the strainer to protect the finish and prevent construction debris from entering the drain.

Finish installation as shown in Figure E.



**FIGURE E**

## POST INSTALLATION CLEAN-UP

Remove all construction debris. Tile grout can be removed with a wooden popsicle stick or tongue depressor. Do not use wire brushes or any other metal implement on bath surface.

Post installation clean-up generally can be completed using warm water and liquid dishwashing detergent. Stubborn dirt or stains may be removed using granular Spic and Span® mixed with water.

Painter's naphtha can be used to remove excess adhesives and/or wet oil-base paint.

## AFTERCARE and CLEANING

**⚠ WARNING:**Cleaning products with labels that say "not suitable for use with acrylic" **SHOULD NOT BE USED**. Read all labels carefully.

- Excessively hot water may cause surface damage.
- **HARSH CHEMICALS SHOULD NEVER BE USED ON SHOWER BASE SURFACE.** Clean after use with a mild liquid household detergent cleaner. Do not use Lestoil, Lysol Disinfectant (spray or concentrate), or Lysol Basin, Tub and Tile Cleaner, Windex, Mr. Clean, Dow Disinfectant Bathroom Cleaner, or cleaning products in aerosol cans.
- Do not use wire brushes, knives or sharp objects to remove stains, cigarette tar deposits, or other surface blemishes.
- Abrasive cleaners or powders must not be used, since they will dull the surface. If the glossy surface loses its sheen, dulled areas or light scratches can be restored by rubbing with a white "automotive type" polishing compound and waxing with a "liquid wax."
- **Do not wax areas where you walk or stand.**
- Do not allow nail polish remover, acetone, dry cleaning fluid, paint remover or other solvents to come into contact with the surface.
- Clean the surrounding surface immediately after using caustic drain cleaners.
- Burning cigarettes will damage the surface.
- Should damage to the fixture occur, repairs can be made quickly and easily. Your distributor or builder can provide details.

## AS America, Inc. Limited Lifetime Warranty for Shower Bases

AS America, Inc. ("American Standard") warrants to the original consumer purchaser that it will, at its option, repair or replace this shower base – American Standard, in its sole judgment, to be defective under normal residential use and maintenance so long as it is owned by the original consumer purchaser.

To activate this limited warranty, the purchaser must go online to our website at [www.americanstandard-us.com/warranty](http://www.americanstandard-us.com/warranty) to register their shower base within thirty (30) days of purchase.

In no event will American Standard be liable for the cost of repair or replacement of any installation materials including but not limited to tile, marble, etc.

This limited warranty does not apply to Commercial Installations. The warranty for Commercial Installations is three (3) years.

This limited warranty DOES NOT COVER the following:

1. Defect or damages arising from shipping, installation, alterations, accidents, abuse, misuse, lack of proper maintenance and cleaning as directed in the Installation Instruction Manual and use of other than genuine American Standard replacement parts, in all cases whether caused by a plumbing contractor, service company, the owner or any other person.
2. Deterioration through normal wear and tear and the expense of normal maintenance.
3. Commercial application.
4. Options and accessories. American Standard's limited warranty on these items is one year for parts only and excludes labor. This one year limited warranty covers accessories manufactured by American Standard (e.g. aprons, drains, grab bars, heaters, trim kits) against defects of material or workmanship. Warranty coverage begins on the date the accessory was originally purchased by the owner.
5. Shipping cost for returning products for repairs or replacement under the limited warranty and labor or other cost incurred in connection with product removal or installation under this limited warranty.
6. ANY LIABILITY FOR CONSEQUENTIAL OR INCIDENTAL DAMAGES, ALL OF WHICH ARE HEREBY EXPRESSLY DISCLAIMED, OR THE EXTENSION BEYOND THE DURATION OF THIS LIMITED WARRANTY OF ANY IMPLIED WARRANTIES, INCLUDING THOSE OF MERCHANTABILITY OR FITNESS FOR AN INTENDED PURPOSE. (Some jurisdictions do not allow limitations on how long an implied warranty lasts, or the exclusion or limitation of incidental or consequential damages, so these limitations and exclusions may not apply to you.)
7. Responsibility for compliance with local code requirements. (Since local code requirements vary greatly, distributors, retailers, dealers, installation contractors and users of plumbing products should determine whether there are any code restrictions on the installation or use of a specific product.)

This limited warranty gives you specific legal rights. You may have other statutory rights that vary from state to state or from province to province, in which case this warranty does not affect such statutory rights.

For service under this warranty, it is suggested that a claim be made through the contractor or dealer from or through whom the product was purchased, or that a service request (including a description of the product model and of the defect) be sent to the following address:

### In the United States:

American Standard Brands  
1 Centennial Ave  
Piscataway, New Jersey 08854  
Attention: Director of Consumer Affairs

For residents of the United States, warranty information may also be obtained by calling the following toll free number: (800) 442-1902  
[www.americanstandard.com](http://www.americanstandard.com)

### In Canada:

LIXIL Canada Inc.  
5900 Avebury Rd.  
Mississauga, Ontario  
Canada L5R 3M3

Toll Free: (800) 387-0369  
[www.americanstandard.ca](http://www.americanstandard.ca)

### In Mexico:

American Standard B&K Mexico  
S. de R.L. de C.V.  
Via Morelos #330  
Col. Santa Clara  
Ecatepec 55540 Edo. Mexico

Toll Free: 01-800-839-1200  
[www.americanstandard.com.mx](http://www.americanstandard.com.mx)

# INSTALLATION INSTRUCTIONS

*American Standard*

## PASSAGE™ 60" x 72" FRAMELESS SHOWER DOOR MODEL: AM801703400 SERIES

Thank you for selecting American Standard – the benchmark of fine quality for over 100 years. To ensure this product is installed properly, please read these instructions carefully before you begin. Certain installations may require professional help. Also be sure your installation conforms to local codes.

Visit <http://www.americanstandard-us.com/passage-collection> for coordinating products.

Visit [https://youtu.be/GXpYwYBU\\_2c](https://youtu.be/GXpYwYBU_2c) for step by step video instructions.

### INSTALLATION PREPARATION

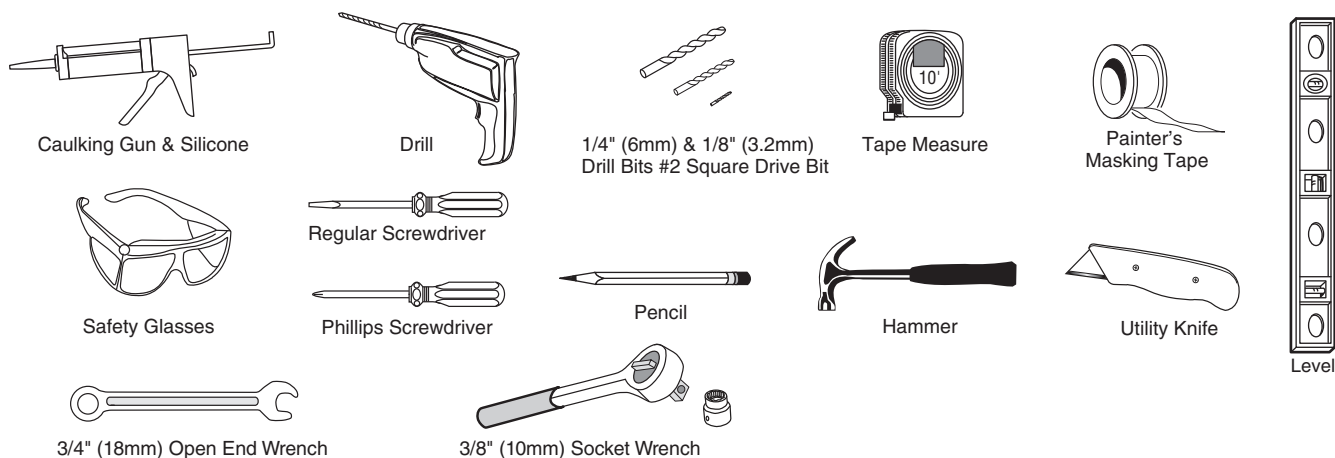
- Please unpack carefully and identify all parts needed for installation by using the Box Contents page as a reference. Inspect the product and report any damages or missing parts immediately to customer care by calling 800-442-1902. Follow the prompts for consumer/shower doors.
- These Passage shower doors were developed to be installed with the Passage shower base and Passage shower walls. If you are using a different base and walls, you may need additional hardware and tools to complete the installation.
- The Passage shower door dimensions are nominal and meant for a standard 60" (1524mm) alcove. Alcove sizes may vary based on stud and wall material thickness. Please double check your measurements prior to starting your install.
- Handle the glass panels carefully and protect the edges. Unequal pressure applied during installation can cause cracking or breakage, and the sharp corners on the glass panels can cause damage to the wall or floor materials.
- Ensure adequate wall support is provided to area where shower door is to be installed.
- Shower base and wall material must be installed prior to the door installation.
- Wear protective equipment during installation to avoid injury.
- Please keep these instructions for after care and customer service details.

S  
A  
V  
E  
F  
O  
R  
F  
U  
T  
U  
R  
E  
U  
S  
E

**⚠ WARNING: Product is heavy and REQUIRES TWO PEOPLE for installation.**

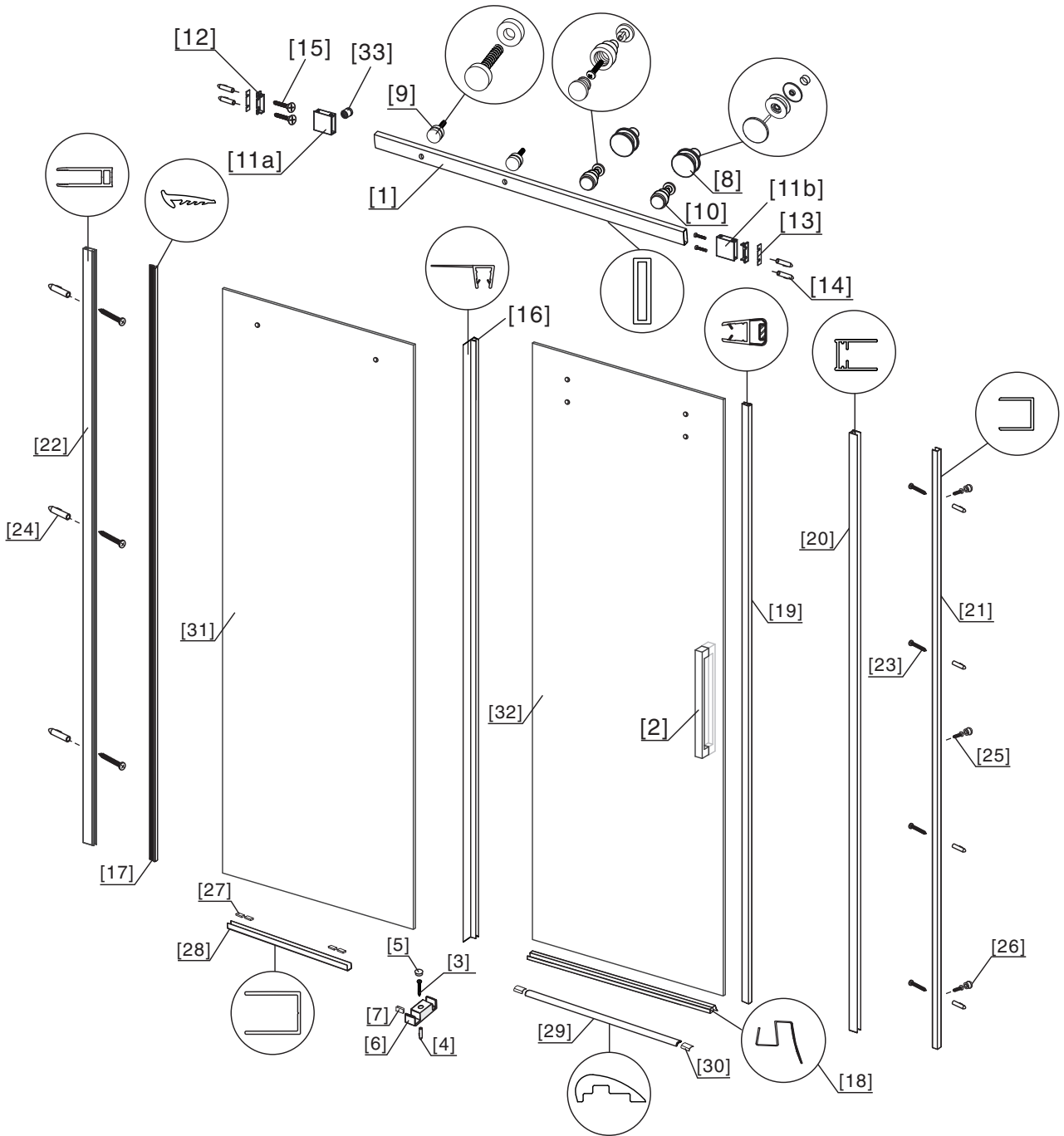
**⚠ WARNING: TEMPERED GLASS CANNOT BE DRILLED, CUT OR MODIFIED.**

### REQUIRED TOOLS AND MATERIALS



BOX CONTENTS		
[1] 1x Horizontal Rail	➔	
1 Installation Instructions	➔	
[2] 1x Door Handle	➔	
[3] 1x Pan Head Screw M4x35 [4] 1x Wall Anchor [5] 1x Screw Cover Cap [6] 1x Bottom Guide [7] 1x Shim	➔	
[8] 2x Rollers	➔	
[9] 2x Fixed Panel Fasteners [10] 2x Door Panel Guards	➔	
[11] 2x Wall Connectors [12] 2x Connector Base Mounts [13] 2x Cushions [14] 4x Wall Anchors [15] 4x Flat Head Screws M5x35 [33] 1x Limit Block	➔	
[16] 1x Side Gasket [17] 1x Water Deflector [18] 1x Bottom Door Gasket [19] 1x Magnetic Seal	➔	
[20] 1x Post [21] 1x Sliding Wall Post [22] 1x Fixed Wall Post	➔	
[23] 7x Screws M4x35 [24] 7x Wall Anchors	➔	
[25] 3x Screws M4x10 [26] 3x Screw Cover Caps	➔	
[27] 4x Channel Shims [28] 1x U Channel	➔	
[29] 1x Aluminum Seal [30] 2x Connectors	➔	
[31] 1x Fixed Panel	➔	
[32] 1x Sliding Door Panel	➔	

# ASSEMBLY DRAWING

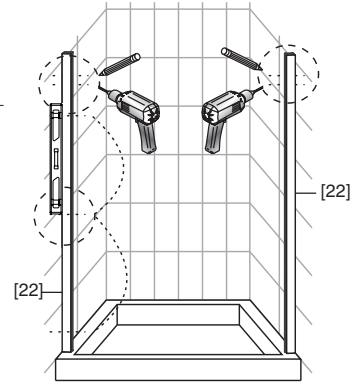


- |                              |                               |                            |
|------------------------------|-------------------------------|----------------------------|
| [1] 1x Horizontal Rail       | [12] 2x Connector Base Mounts | [23] 7x Screws M4x35       |
| [2] 1x Door Handle           | [13] 2x Cushions              | [24] 7x Wall Anchors       |
| [3] 1x Screws M4x35          | [14] 4x Wall Anchors          | [25] 3x Screws M4x10       |
| [4] 1x Wall Anchor           | [15] 4x Screws M5x35          | [26] 3x Screw Cover Caps   |
| [5] 1x Screw Cover Cap       | [16] 1x Side Gasket           | [27] 4x Channel Shims      |
| [6] 1x Bottom Guide          | [17] 1x Water Deflector       | [28] 1x U Channel          |
| [7] 1x Shim                  | [18] 1x Bottom Door Gasket    | [29] 1x Aluminum Seal      |
| [8] 2x Rollers               | [19] 1x Magnetic Seal         | [30] 2x Connectors         |
| [9] 2x Fixed Panel Fasteners | [20] 1x Post                  | [31] 1x Fixed Panel        |
| [10] 2x Door Panel Guards    | [21] 1x Sliding Wall Post     | [32] 1x Sliding Door Panel |
| [11] 2x Wall Connectors      | [22] 1x Fixed Wall Post       | [33] 1x Limit Block        |

# 1

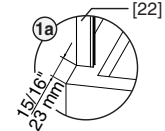
In Step 1, we will cover attaching the connector base mounts and the wall posts for the stationary glass door panel.

This will require parts 11, 12, 13, 14, 15, 21, 22, 23 and 24.



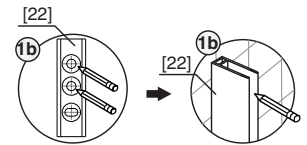
**NOTE:** The Passage Shower Door can be installed with the fixed door panel on the left or right hand side. The illustrations below show the door assembled with the handle on the right side of the shower. If the door is to be assembled so that the handle is on the left side, the instructions and procedures will need to be reversed in those areas.

**1a.** Using the fixed wall post as a guide, determine approximate location of connector by measuring 15/16" (23mm) from the edge of the shower base [22]. Orient the wall post facing out. Ensure the fixed wall post is plumb.



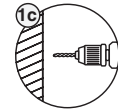
**1b.** Mark top 2 hole locations in the Fixed Wall Post [22] onto shower wall, then remove post and set aside.

**NOTE:** The 2 top holes in the Fixed Wall Post [22] are used for marking where to drill holes as a template for Connector Base Mounts [12] on both left and right sides of shower, not for mounting screws.



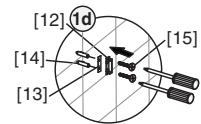
**1c.** Drill a 1/4" (6mm) pilot hole (if using Wall Anchors [14]) at each of the 2 marked locations.

**NOTE:** Depending on wall surface material, other forms of attachment or hardware sizes may be necessary.



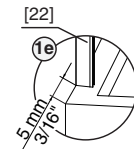
**1d.**

- Insert Wall Anchors [14] into pilot holes of wall.
- Remove Connector Base Mounts [12] from Wall Connectors [11 a & b]
- Place a clear plastic Cushion [13] between the Base Mount [12] and shower wall, keeping the finished, chrome plated edge of Base Mount [12] facing inside shower. Screw into place using 2 M5x35 Flathead Screws [15].
- Repeat steps 1a-1d for mounting Connector Base Mount on opposite side of shower, keeping the finished chrome plated edge of base facing outside of shower.

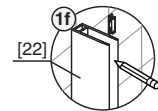


**NOTE:** Refer to Assembly Drawing on page 3 for part recognition. 11a chrome plated parts face inside the shower and 11b chrome plated parts face out.

**1e.** Once both Connector Base Mounts [12] are secured to the wall, place Fixed Wall Post [22] on side of shower that will hold the Fixed Glass Panel [31] and mark approximately 3/16" (5mm) from threshold edge of shower base and plumb.

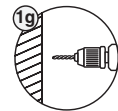


**1f.** Mark 3 holes along the length not previously used in the Fixed Wall Post [22] pre-drilled with slight oval (Ref. 1b) onto the shower wall.

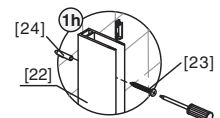


**1g.** Drill 1/4" (6mm) pilot hole (if using Wall Anchors [14]) at each marked location.

**NOTE:** Depending on wall surface material, other forms of attachment or hardware sizes may be necessary.



**1h.** Insert Wall Anchors [14] into pilot holes. Place Fixed Post [22] into position and secure to wall using 3 M4 x 35mm [23] head screws.





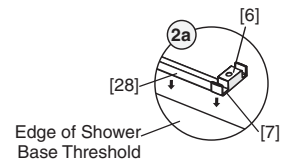
## 2

### In Step 2, we will cover installing the floor U Channel and Bottom Guide.

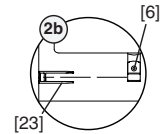
This will require parts 3, 4, 5, 6, 7, 21, 23, 28, 31 and 32.

**2a.** Place U Channel [28] and Bottom Guide [6] on the Fixed Wall Post [21] side on the edge of the shower base threshold.

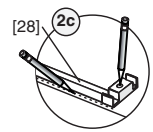
**NOTE:** The smaller side of the Bottom Guide is meant to hold the Fixed Panel [31] (with the rubber Shim [7]), while the larger side is meant to hold the sliding Door Panel [32] (without rubber Shim [7]).



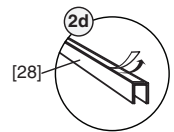
**2b.** Align U Channel [28] and Bottom Guide [6] with center of Fixed Wall Post [21] keeping the same distance from the showers threshold edge.



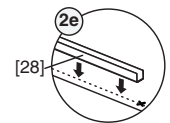
**2c.** Mark a line on the outside of the U Channel, also marking center mounting hole of Bottom Guide on shower threshold.



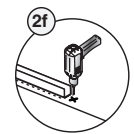
**2d.** Remove protective paper from adhesive tape on bottom of U Channel [28].



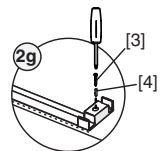
**2e.** Place U Channel back onto threshold at marked line and press down to hold securely in place.



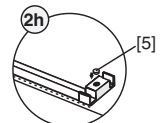
**2f.** Drill pilot hole for the center mounting hole for the Bottom Guide using 1/4" (6mm) drill bit.



**2g.** Apply clear silicone sealant to wall anchor, then insert Wall Anchor [4] into pilot hole and fasten Bottom Guide [6] using M4x35 [3] Pan Head Screw.



**2h.** Cover screw hole in Bottom Guide using Screw Cover Cap [5].

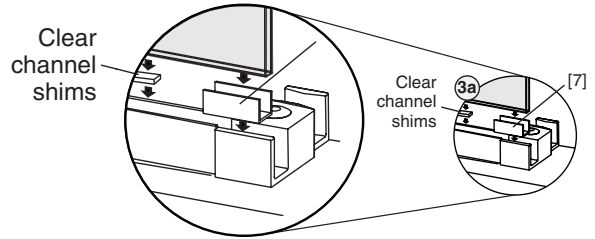


**3** In Step 3, we will cover the assembly and installation of the fixed door panel.  
This will require parts 6, 7, 17, 21, 22, 23, 24, 27, 28 and 31.

**NOTE:** Product is heavy and **REQUIRES TWO PEOPLE** for installation.

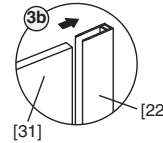
**3a.** Ensure clear Shim [7] is in groove on Bottom Guide [6] for Fixed Panel side.

**NOTE:** Place a minimum of 2 clear channel shims in bottom of U channel.

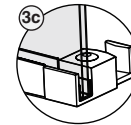


**3b.** Carefully place Fixed Panel [31] fully into U Channel [28] and Fixed Wall Post [22].

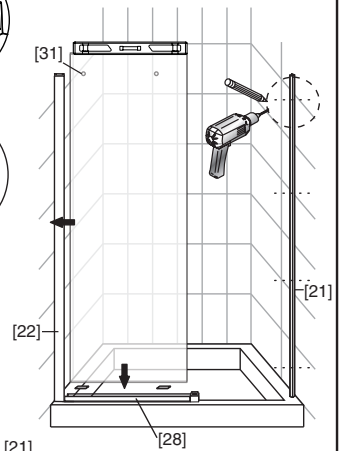
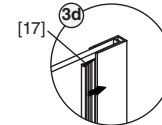
**NOTE:** Identify the fixed door panel by the 2 holes at the top of the glass panel. Refer to Assembly drawing [31].



**3c.** Check that Fixed Panel is fully and securely in place and panel is at far end (close to flush) on groove of Bottom Guide.

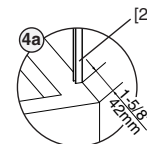


**3d.** Once panel is leveled and in place, insert Water Deflector [17] on inside shower between Fixed Panel [31] and Fixed Wall Post [22].

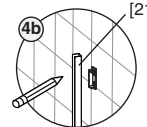


**4** In Step 4, we will cover the installation of the sliding door post.  
This will require parts 21, 23 and 24.

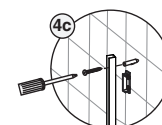
**4a.** To install Sliding Wall Post [21] place on opposite side of shower entrance wall and mark approximately 1-5/8" (42mm) from threshold edge of shower base. Remove wall post and set aside.



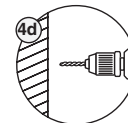
**4b.** Ensure Sliding Wall Post is plumb, then mark all 4 screw hole locations.



**4c.** Drill pilot hole at each marked location using a 1/4" (6mm) drill bit (if using Wall Anchors [24]).



**4d.** Insert Wall Anchors [24], place Wall Post into position and screw using M4x35 [23].



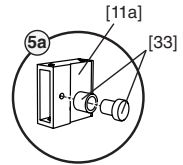
# 5

## In Step 5, we will cover the installation of the horizontal rails and wall connectors.

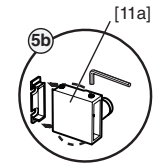
This will require parts 1, 9, 11a, 12, 31 and 33.

**5a.** Screw Limit Block [33] to Wall Connector [11a].

**NOTE:** Wall Connector [11a] has a threaded hole on one side to accommodate the Limit Block.

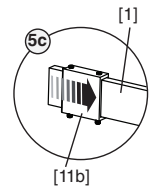


**5b.** Attach Wall Connector with Limit Block to Connector Base Mount [12] on the Fixed Panel [31] side of shower and tighten 2 allen screws using supplied hex allen key.

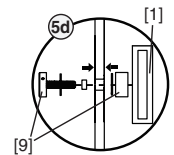


**5c.**

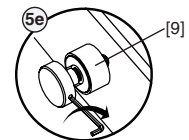
- Slide second Wall Connector [11b] onto end of Horizontal Rail [1] (opposite 2 threaded holes) keeping chrome plated edge with American Standard logo facing outside shower. Loosely tighten allen screws.
- Insert opposite end of Horizontal Rail [1] (end with 2 threaded holes facing Fixed Panel) into Wall Connector [11a].
- Align threaded holes in Rail with holes in glass of Fixed Panel [31].
- Then slide opposite Wall Connector [11b] onto Connector Base Mount on other side of shower and loosely tighten allen screws of Wall Connector [11b] to hold in place.



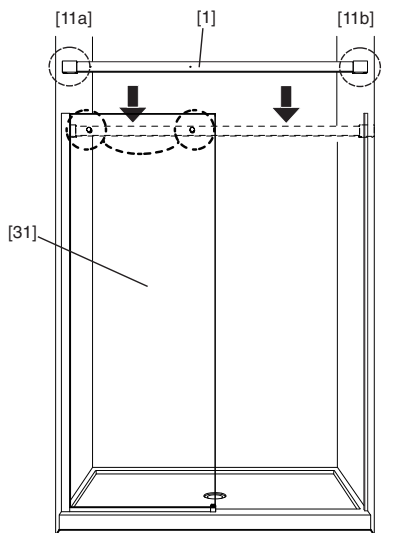
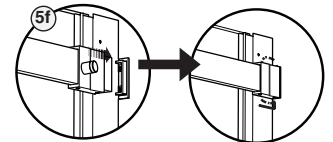
**5d.** Insert threaded end of Fixed Panel Fastener [9] through glass hole of Fixed Panel [31] from outside of shower, keeping plastic bushing in center of glass. Place other end of Fastener on opposite side of glass Panel and into the threaded end of Fastener, ensuring clear washers contact both sides of glass. Then turn Fixed Panel Fastener into one of the threaded holes of the Horizontal Rail [1]. Repeat for second Fastener and tighten until both Fasteners securely hold onto glass Panel and Horizontal Rail.



**5e.** Tighten Fixed Panel Fastener in place using hex allen key as a handle.



**5f.** Slide second Wall Connector [11b] onto Connector Base Mount [12] and tighten allen screws to securely hold in place.

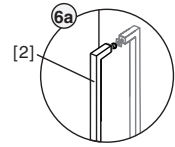


# 6

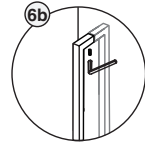
## In Step 6, we will cover assembling the rollers and sliding glass panel door.

This will require parts 2, 8, 18 and 32.

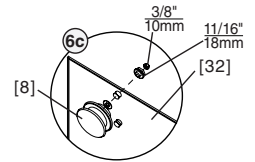
**6a.** Separate door handles [2] by removing brass connector with threaded stem from handles. Place the round bushing and clear square gasket over the threaded stem and onto the Sliding Door Panel [32] keeping clear washers between the glass panel. Then place the other handle over brass connector.



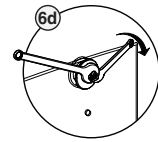
**6b.** Tighten allen screws to secure Door Handle in place.



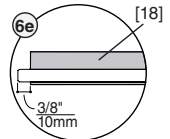
**6c.** Remove 10mm metal nut and 18mm plastic retainer from Roller [8] and carefully place threaded end into hole of outside facing Sliding Door Panel [32] keeping clear plastic washer between roller and glass panel. From inside shower side of panel, place 18mm plastic retainer into threads of Roller and into hole of glass Panel. Turn to tighten.



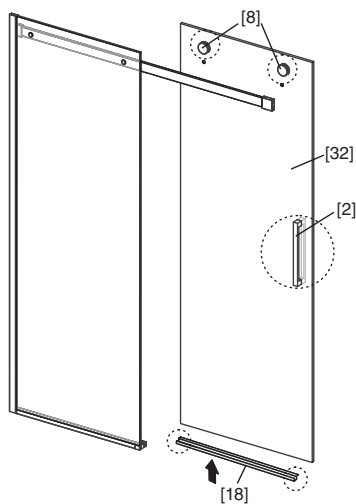
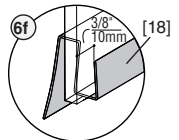
**6d.** Attach metal nut and tighten using 10mm socket and 18mm open end wrench for plastic retainer. **Repeat steps 6c and 6d on opposite side.**



**6e.** Slide Bottom Door Gasket [18] onto bottom of sliding Door Panel [32] keeping the wider flap to the inside of shower area.



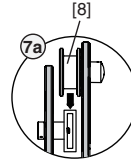
**6f.** If necessary, cut or trim the Door Gasket material about 3/8" (10mm) off the edge of the sliding Door Panel.



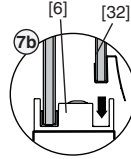
**7** In Step 7, we will cover attaching the sliding glass door panel to the horizontal rail.  
This will require parts 1, 6, 8, 10, 16, 19, 20, 21 and 32.

**NOTE: Product is heavy and REQUIRES TWO PEOPLE for installation.**

**7a.** Carefully place Sliding Door Panel [32] onto Horizontal Rail [1] from inside of shower area and onto the Rollers [8].

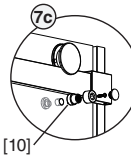


**7b.** Ensure bottom of Sliding Door Panel [32] onto Horizontal Rail [1] from inside of shower area and onto the Rollers [8].



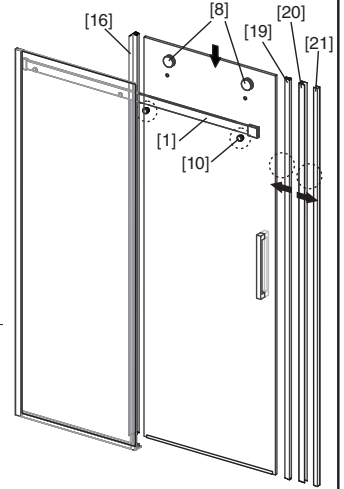
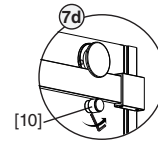
**7c.**

- Remove threaded cover cap off Door Panel Guard [10] and remove retaining screw inside with Philips head screw driver, separating the 2 parts. **Do not lose plastic spacer between these two parts.**
- With supplied 2 clear plastic washers, place one washer over one end of Panel Guard [10] and one washer over the other end and place through hole of Sliding Door Panel [32] with thicker end facing outside shower. Insert Philips head screw back into place and tighten.

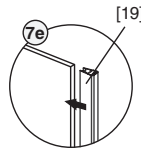


**NOTE:** If screw does not go back into threads, the 2 pieces are keyed and it may be necessary to turn the parts 180 degrees.

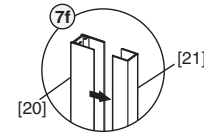
**7d.** Door Panel Guards [10] can be adjusted so they are as close to the Horizontal Rail [1] as possible to prevent door from juping off the Horizontal Rail. It may be necessary to place hex allen key into one of the holes of the Door Panel Guard [10] to act as a handle or lever while making adjustments to the Door Panel. Place threaded cover cap back onto Door Panel Guard. Repeat for other Door Panel Guard.



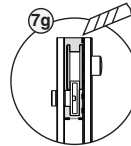
**7e.** Attach Magnetic Seal [19] onto Door Handle side of Panel and snap into place.



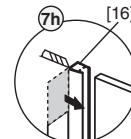
**7f.** Attach Post [20] with three holes facing inside of the shower over Sliding Wall Post [21] and snap into place.



**7g.** Attach Side Gasket [16] to opposite side of Sliding Door Panel [32] keeping wider side toward outside of shower area.

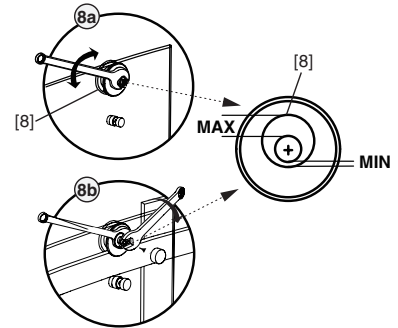


**7h.** It may be necessary to trim a portion of Side Gasket [16] near the top to accommodate spacing for the Horizontal Rail [1].

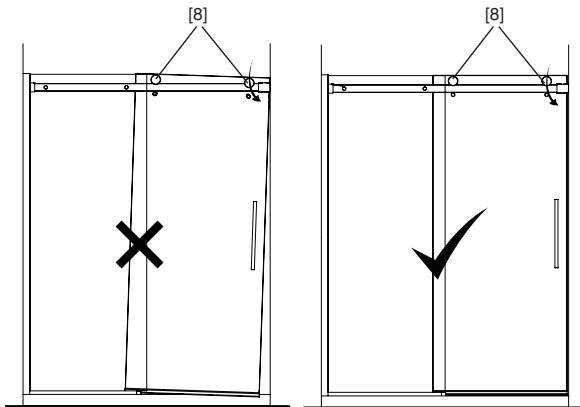


## 8 In Step 8, we will cover adjusting the Sliding Door Panel [32].

**8a.** Once all assembly is completed, it may be necessary to adjust the Sliding Door Panel [32] for proper operation. This can be achieved by adjusting Rollers [8] attached to the Sliding Door Panel [32] by loosening the metal nut on the Roller.



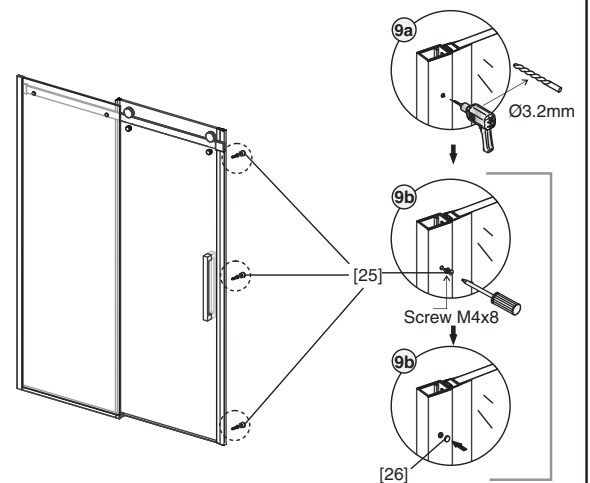
**8b.** Use a 10mm socket to slightly loosen the metal nut on the Roller and an 18mm open end wrench to turn the plastic retainer, providing an oblong effect when adjusting or turning, causing the door to move up or down at that location. Adjustments can be done to both Rollers to obtain proper door sliding operation and fit.



## 9 In Step 9, we will cover installing the Aluminum Seal [29].

**9a.** Position the Aluminum Seal [29] at the entrance floor/Sliding Door Panel [32] side of the shower in-line with the Fixed Panel [31]. Apply a bead of adhesive in the groove or underside of the Aluminum Seal and place back at shower entrance keeping the sloping side of the seal pointing inside the shower area.

**9b.** Two connector [30] ends are supplied to cover any gaps at the 2 ends of the Aluminum Seal which can be placed on the left and right side pointing inside the shower area.

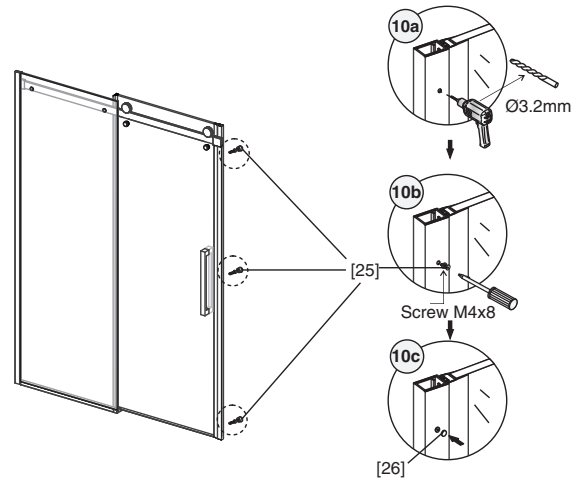


**10** In Step 10, we will cover attaching the hardware to the Sliding Wall Post.  
This will require parts 20, 21 and 26.

**10a.** Three hole locations are predrilled into the Post [20] and can be used to mark drill locations in the Sliding Wall Post [21] from the inside of shower. Remove Post and drill marked locations using a 1/8" (3.2mm) drill bit.

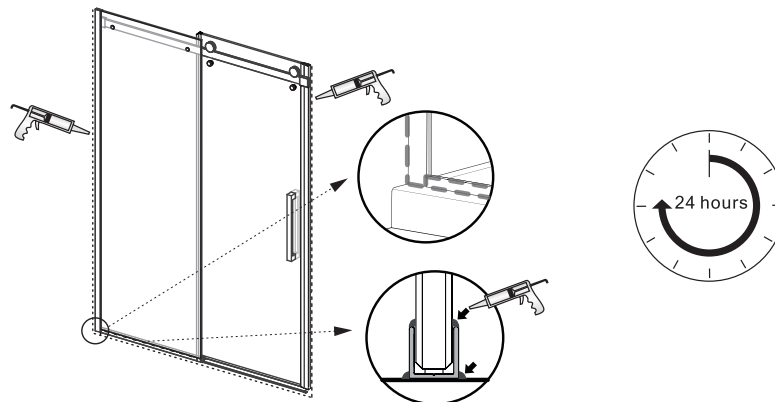
**10b.** Place Post [20] back onto Sliding Wall Post [21] and use 3 supplied M4x8 screws, placing white plastic cups through each screw to hold Screw Cover Caps [26]. Screw and secure Post into place onto the Sliding Wall Post.

**10c.** Cover each screw head with a Screw Cover Cap [26] to finish.



**11** In Step 11, we will cover applying silicone to seal your shower doors.

**11a.** Apply silicone at all inside and outside locations as shown. Allow 24 hours for silicone to dry before use.



## MAINTENANCE:

Two primary materials are used to manufacture your new American Standard shower enclosure: tempered glass and anodized aluminum. To assure a long lasting finish on the enclosure, wipe it down with a towel after each use.

For occasional, more concentrated cleaning efforts **Lysol Non-Abrasive Bathroom Cleaner** works extremely well. Be sure that any over spray falling on the aluminum frame is rinsed thoroughly and dried. Many over-the-counter cleaners, if applied to the aluminum and left on, will harm the metal finish and cause permanent damage even though their directions indicate safe use on shower doors. Never use a scouring agent to clean the aluminum.

### AS AMERICA, INC. LIMITED LIFETIME WARRANTY FOR SHOWER DOORS

AS America, Inc. ("American Standard") warrants to the original consumer purchaser that it will, at its sole option, repair or replace this product or any part of this product, if it confirms that the product is defective in materials or workmanship under normal use and maintenance for the lifetime of this product.

This warranty does not apply to commercial installations. Commercial installations shall have a limited warranty of 3 year(s).

This limited warranty DOES NOT COVER the following:

1. Defects or damage arising from shipping, installation, alterations, accidents, abuse, misuse, lack of proper maintenance and use of other than genuine American Standard replacement parts, in all cases whether caused by a plumbing contractor, service company, the owner or any other person.
2. Deterioration through normal wear and tear.
3. HARD WATER DAMAGE, OR DAMAGES RESULTING FROM ABUSE OR MISUSE OR FROM FAILURE TO INSTALL OR MAINTAIN THIS PLUMBING PRODUCT IN ACCORDANCE WITH THE WRITTEN INSTRUCTIONS FURNISHED BY AS AMERICA, INC.
4. USE OF CLEANING PRODUCTS CONTAINING CALCIUM HYPO CHLORITE (CHLORINE), SCOURING POWDERS OR PADS SHALL NOT BE COVERED.
5. THE USE OF SCENTED CANDLES IN CLOSE PROXIMITY WITH THIS PRODUCT CAN RESULT IN PERMANENT STAINING OF THE FINISH.
6. Expense of normal maintenance.
7. All costs of removal, transportation, labor, reinstallation or other costs including postage and/or shipping costs to obtain warranty service shall be paid by the consumer.
8. ANY LIABILITY FOR CONSEQUENTIAL OR INCIDENTAL DAMAGES, ALL OF WHICH ARE HEREBY EXPRESSLY DISCLAIMED. ANY IMPLIED WARRANTIES, INCLUDING THOSE OF MERCHANTABILITY OR FITNESS FOR PURPOSE INTENDED ARE SPECIFICALLY EXCLUDED. (Some jurisdictions do not allow limitations on how long an implied warranty lasts, or the exclusion or limitation of incidental or consequential damages, so these limitations and exclusions may not apply to you.)
9. Responsibility for compliance with local code requirements ARE EXCLUDED FROM THIS WARRANTY. (Since local code requirements vary greatly distributors, dealers, installation contractors and users of plumbing products should determine whether there are any code restrictions on the installation or use of a specific product.)

This limited warranty gives you specific legal rights. You may have other statutory rights that vary from state to state or from province to province, in which case this limited warranty does not affect such statutory rights.

For service under this warranty, it is suggested that a claim be made through the contractor or dealer from or through whom the product was purchased, or that a service request (including a description of the product model and of the defect) be sent to the following with proof of purchase or original receipt:

#### **In the United States:**

American Standard Brands  
1 Centennial Ave  
Piscataway, New Jersey 08854  
Attention: Director of Consumer Affairs

For residents of the United States, warranty information may also be obtained by calling the following toll free number: (800) 442-1902  
[www.americanstandard.com](http://www.americanstandard.com)

#### **In Canada:**

LIXIL Canada ULC  
5900 Avebury Rd.  
Mississauga, Ontario  
Canada L5R 3M3

Toll Free: (800) 387-0369  
[www.americanstandard.ca](http://www.americanstandard.ca)

#### **In Mexico:**

American Standard B&K Mexico  
S. de R.L. de C.V.  
Via Morelos #330  
Col. Santa Clara  
Ecatepec 55540 Edo. Mexico  
Toll Free: 01-800-839-1200  
[www.americanstandard.com.mx](http://www.americanstandard.com.mx)



# INSTALLATION INSTRUCTIONS

## PASSAGE™ CUSTOM SHOWER WALL SYSTEM MODELS: P2971SWT, P2974BWT

*American  
Standard*

Visit <http://www.americanstandard-us.com/passage-collection> for coordinating products.

Thank you for selecting American Standard – the benchmark of fine quality for over 100 years. To ensure this product is installed properly, please read these instructions carefully before you begin. (Certain installations may require professional help.) Also be sure your installation conforms to local codes.

### BEFORE YOU BEGIN....

Local building codes vary by location. Observe all local plumbing and building codes.

Unpack your new shower walls and inspect them carefully for damage. Verify that the walls are the correct size for your installation. Refer to American Standard roughing-in information in the spec page for specific dimensions for each model.

**NOTE:** Take extra care in handling the front surfaces of the walls. Use only non-abrasive cloths to avoid scratching.

### REQUIRED TOOLS AND MATERIALS

#### TOOLS:

Pencil  
Drill  
Hole Saw or  
Circular Saw

Notched Trowel  
Tape Measure  
Caulking Gun  
Level  
Square

#### MATERIALS:

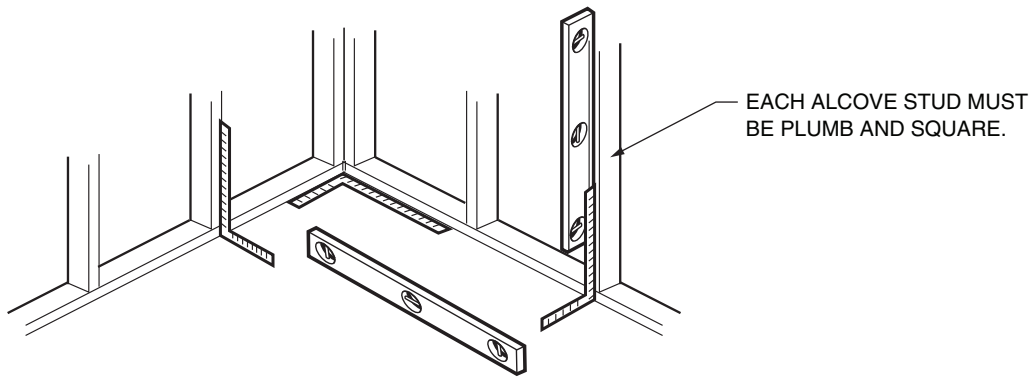
Suction Cups  
Mineral Spirits

#### SOLD SEPARATELY:

x8 Tubes Waterproof Instant Grab  
Construction Adhesive  
x2 Tubes Tub & Tile Sealant

**PREPARATION:** Must be installed over **SHEETROCK/GREENBOARD** or **CEMENT/CONCRETE**.

**Illustration 1**



#### A) WALL SURFACE PREPARATION

Ensure wall surface is dry, smooth, and free of dust, soap scum, mold or other contaminants. Wipe wall surfaces with a damp cloth and allow to dry.

Wall surface must be dry before panels can be applied.

Ensure that alcove is plumb and square. (Illustration 1)

#### INSTALLATION over OLD TILE

Rough up glossy tile surfaces using belt sander with 60-grit sandpaper.

Surface must be dry, smooth and free of any dust or any other contaminants.

Wipe wall surfaces with a damp cloth and allow to dry.

#### B) ROUGH PLUMBING & FITTINGS MUST BE INSTALLED BEFORE WALLS

Turn off hot & cold water supplies.

Remove faucet handles, escutcheons, filler spouts and any other fixtures & fittings (e.g. towel bars, soap dishes, etc.).

Use hammer & chisel to remove objects cemented to walls.

Old ceramic tiles, if solidly adhered to walls, need not be removed.

Loose ceramic tiles must be removed and sub walls sanded smooth.

#### C) IF YOU PLAN TO INSTALL A SHOWER DOOR

Follow manufacturer's instructions and prepare stud wall accordingly.

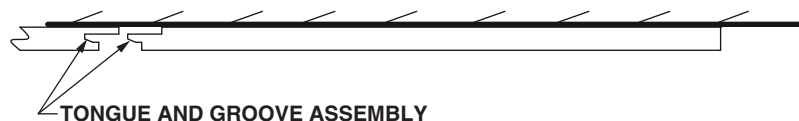
# 1

## DRY FITTING THE TONGUE AND GROOVE PANELS ON THE WALL

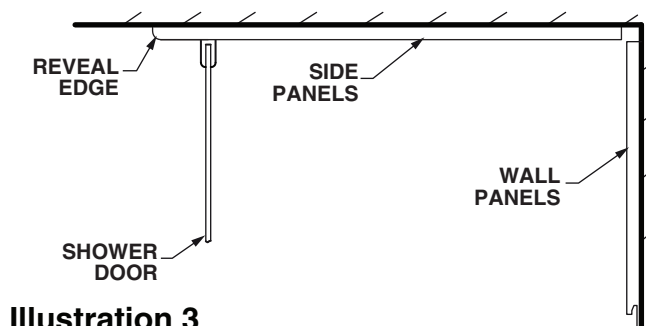
- 1) Dry fit the panels starting with the rear most panels first. Keep a 1/8" (5mm) gap above the tub deck or shower base for all panels. When connecting several panels together, panels use a tongue and groove system to connect to each other.  
**See Illustration 2.**

**NOTE:** The use of suction cups will aid in the handling and installation of the shower wall panels.

**Illustration 2**



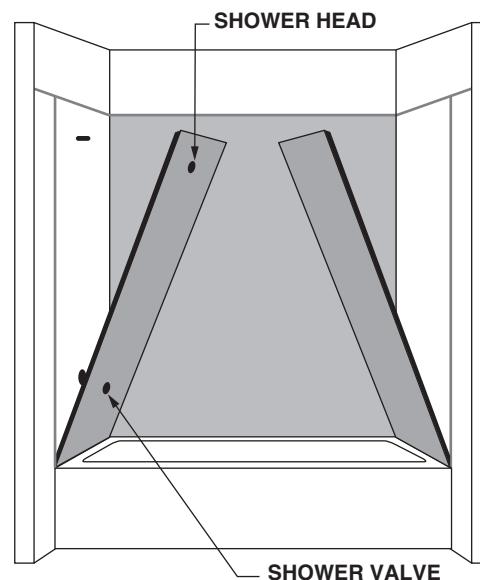
- 2) Dry fit the 2 side panels next. On one side of the panel is a finished or reveal edge that can be installed on the outside or entrance edge of the shower to give a finished look not requiring standard wall trim.  
**See Illustration 3.**  
If the wall or tub is out of square, trim or cut from bottom edge of side panels so that the top edge of the panels are level with the top edge of the back panels.



**Illustration 3**

- 3) Once both side panels are properly dry fitted, mark all plumbing locations where shower valves or shower heads come through the side panel. Drill holes at each location using hole saws large enough to accommodate the opening but small enough to be covered by the trim plates, then apply sealant around trim plate. Drill from the finished side.  
**See Illustration 4.**

**Illustration 4**



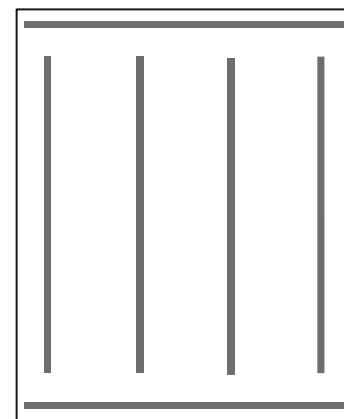
# 2

## APPLYING ADHESIVE TO DRYWALL AND TONGUE AND GROOVE PANELS

**NOTE: DO ONLY ONE WALL AT A TIME.**

- 1) Wipe all back side of panels and walls with a damp cloth to remove any dust or debris and allow to fully dry.
- 2) Starting with the rear or back panels first, apply adhesive on the dry wall in 4 evenly spaced vertical strips for each panel top to bottom.  
**See illustration 5.**  
Then apply one row of adhesive horizontally across the top and one near the bottom. Also apply the adhesive directly to both tongue and groove of the panels.

**Illustration 5**



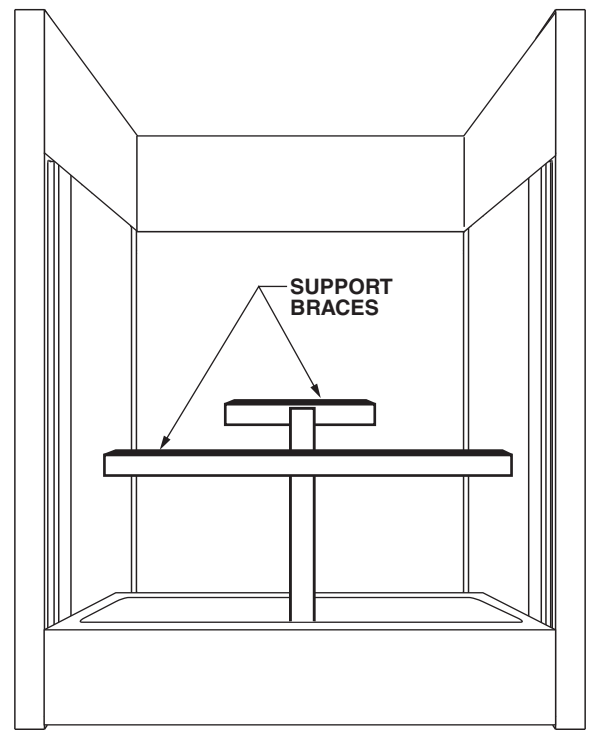
- 3) With the aid of suction cups, move first rear panel onto the wall keeping a space of approximately 1/8" (5mm) off the surface of the tub deck or shower base. Press panel firmly over entire surface to ensure firm contact of panel to adhesive on wall.

**NOTE: It may be necessary to brace or support the panels against the wall until the panels stay securely in place.**

See illustration 6.

- 4) Apply adhesive as in Step 2 and place second rear panel on wall and snap into place of the tongue and groove of the first panel keeping approximately 1/8" (5mm) gap between bottom of panel and tub. Do not force or tap the groove edge to close the joint. Press firmly over entire area of panel to securely hold in place. Wipe any excessive adhesive that comes out between the tongue and groove with mineral spirits.
- 5) Apply side panels in the same manor keeping the finished, reveal edge to the outside or entrance of the tub or shower pan using the same adhesive pattern. Provide a gap of approximately 1/8" (2mm) in the corners between the side and rear panels to accommodate adhesive. Wipe off any excessive adhesive with mineral spirits.

**Illustration 6**



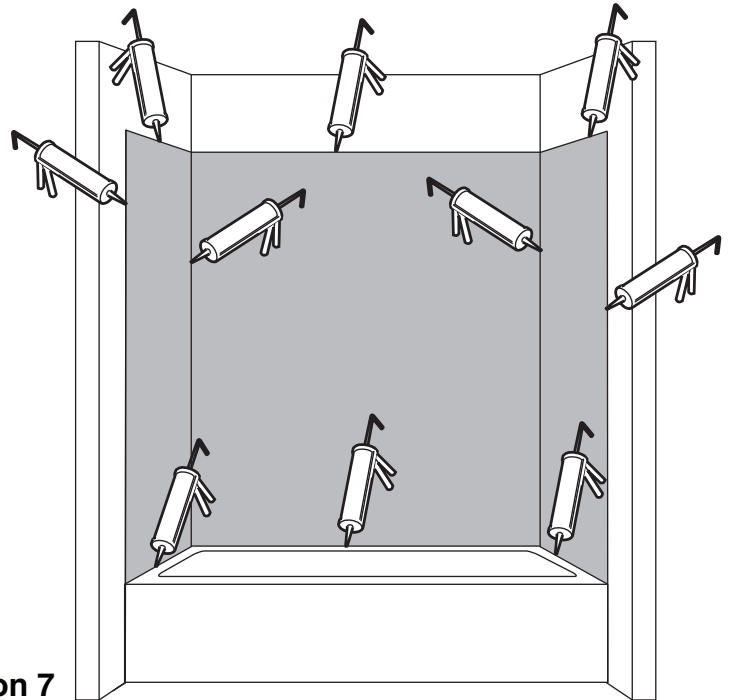
### **3** APPLYING SEALANT FOR SEAMS AND JOINTS

- 1) Once all panels are securely in place and set, apply the sealant to all corners, seams between panels and gaps between bottom panels and tub.

See Illustration 7.

**NOTE: WIPE ANY EXCESS ADHESIVE FROM THE PANEL WITH MINERAL SPIRITS.**

**Illustration 7**



### **4** INSTALLING SHOWER HANDLE & SHOWER HEAD

- 1) Install the shower handle and shower head per the manufacturer's instructions. Be sure to apply sealant to all trim plates.

**NOTE: Allow 24 hours for the sealant to dry before use.**

### **5** INSTALLING SHOWER SHELVES

Follow manufacturer's instructions.

**IMPORTANT:** Apply sealant over the threads of mounting screws AND around outside of each wall anchor to seal out moisture and water.

The shelf/shelves must be supported to the wall behind the Passage wall panel. The Passage wall itself must not support the weight of the shelf/shelves.

### **6** Install the shower door or shower curtain rod according to the manufacturer's instructions.

## POST INSTALLATION CLEAN-UP

Remove all construction debris. Tile grout can be removed with a wooden popsicle stick or tongue depressor. Do not use wire brushes or any other metal implement on surface.

Post installation clean-up generally can be completed using warm water and liquid dishwashing detergent. Stubborn dirt or stains may be removed using granular Spic and Span® mixed with water.

Painter's naphtha can be used to remove excess adhesives and/or wet oil-base paint.

## AFTERCARE and CLEANING

**! WARNING:** Cleaning products with labels that say "not suitable for use with ABS, acrylic or polystyrene" **SHOULD NOT BE USED.** Read all labels carefully.

- Excessively hot water may cause surface damage.
- **HARSH CHEMICALS SHOULD NEVER BE USED ON SHOWER WALL SURFACE.** Clean after use with a mild liquid household detergent cleaner. Do not use Lestoil®, Lysol® Disinfectant (spray or concentrate), or Lysol® Basin, Tub and Tile Cleaner, Windex®, Mr. Clean®, Dow® Disinfectant Bathroom Cleaner, or cleaning products in aerosol cans.
- Do not use wire brushes, knives or sharp objects to remove stains, cigarette tar deposits, or other surface blemishes.
- Abrasive cleaners or powders must not be used, since they will dull the surface. If the glossy surface loses its sheen, dulled areas or light scratches can be restored by rubbing with a white "automotive type" polishing compound and waxing with a "liquid wax."
- **Do not wax areas where you walk or stand.**
- Do not allow nail polish remover, acetone, dry cleaning fluid, paint remover or other solvents to come into contact with the surface.
- Clean the surrounding surface immediately after using caustic drain cleaners.
- Burning cigarettes will damage the surface.
- Should damage to the fixture occur, repairs can be made quickly and easily. Your distributor or builder can provide details.

## AS America, Inc. 10 Year Limited Warranty for PASSAGE Bath Walls

AS America, Inc. ("American Standard") warrants to the original consumer purchaser that it will, at its option, repair or replace these walls or any of its parts that are found by American Standard, in its sole judgment, to be defective under normal residential use and maintenance so long as it is owned by the original consumer purchaser.

To activate this limited warranty, the purchaser must go online to our website at [www.americanstandard-us.com/warranty](http://www.americanstandard-us.com/warranty) to register their bath walls within thirty (30) days of purchase.

In no event will American Standard be liable for the cost of repair or replacement of any installation materials including but not limited to tiles, marble etc.

This limited warranty DOES NOT COVER the following:

1. Defects or damages arising from shipping, installation, alterations, accidents, abuse, misuse, lack of proper maintenance and cleaning as directed in the owner's manual and use of other than genuine American Standard replacement parts, in all cases whether caused by a plumbing contractor, service company, the owner or any other person.
2. Deterioration through normal wear and tear and the expense of normal maintenance.
3. Commercial application.
4. Options and accessories. American Standard's limited warranty on these items is one year for parts only and excludes labor. This one year limited warranty covers accessories manufactured by American Standard (e.g. aprons, drains, grab bars, heaters, trim kits) against defects of material or workmanship. Warranty coverage begins on the date the accessory was originally purchased by the owner.
5. Postage or shipping costs for returning products for repairs or replacement under this limited warranty and labor or other costs incurred in connection with product removal or installation under this limited warranty.
6. ANY LIABILITY FOR CONSEQUENTIAL OR INCIDENTAL DAMAGES, ALL OF WHICH ARE HEREBY EXPRESSLY DISCLAIMED, OR THE EXTENSION BEYOND THE DURATION OF THIS LIMITED WARRANTY OF ANY IMPLIED WARRANTIES, INCLUDING THOSE OF MERCHANTABILITY OR FITNESS FOR AN INTENDED PURPOSE. (Some jurisdictions do not allow limitations on how long an implied warranty lasts, or the exclusion or limitation of incidental or consequential damages, so these limitations and exclusions may not apply to you.)
7. Responsibility for compliance with local code requirements. (Since local code requirements vary greatly distributors, retailers, dealers, installation contractors and users of plumbing products should determine whether there are any code restrictions on the installation or use of a specific product.)

This warranty gives you specific legal rights. You may have other legal rights that vary from state to state. For service under this warranty, you should contact the following:

### **In the United States:**

American Standard Brands  
1 Centennial Ave  
Piscataway, New Jersey 08854  
Attention: Director of Consumer Affairs

For residents of the United States, warranty information may also be obtained by calling the following toll free number: (800) 442-1902  
[www.americanstandard.com](http://www.americanstandard.com)

### **In Canada:**

LIXIL Canada ULC  
5900 Avebury Rd.  
Mississauga, Ontario  
Canada L5R 3M3  
Toll Free: (800) 387-0369  
[www.americanstandard.ca](http://www.americanstandard.ca)

### **In Mexico:**

American Standard B&K Mexico  
S. de R.L. de C.V.  
Via Morelos #330  
Col. Santa Clara  
Ecatepec 55540 Edo. Mexico  
Toll Free: 01-800-839-1200  
[www.americanstandard.com.mx](http://www.americanstandard.com.mx)