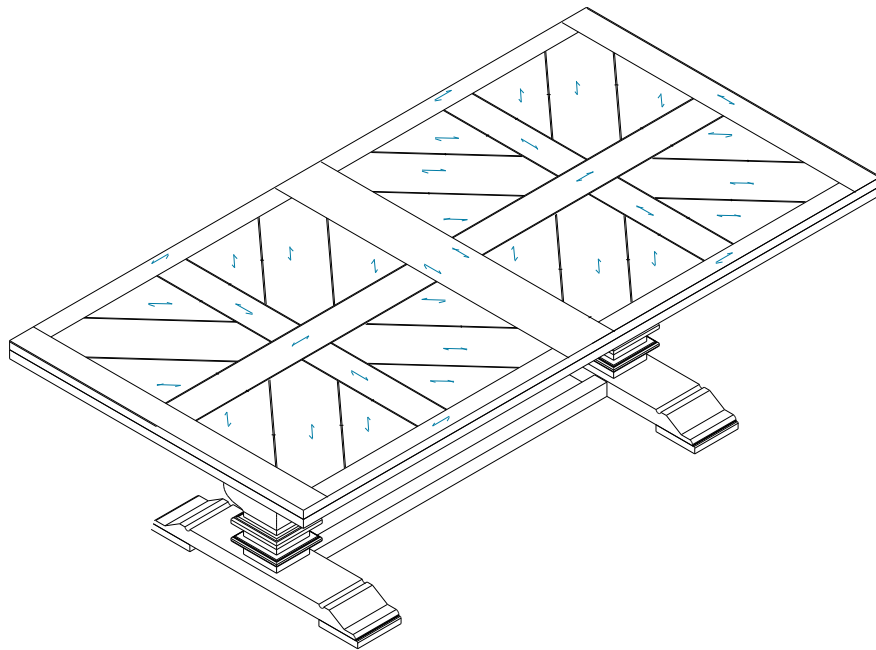


USE AND CARE GUIDE

ELDRIDGE TRESTLE COFFEE TABLE IN HAZE



Questions, problems, missing parts? Before returning to the store,
call Home Decorators Collection Customer Service.
8 a.m. – 7 p.m., EST, Monday – Friday, 9 a.m. – 6 p.m., EST, Saturday

1-800-986-3460

HOMEDEPOT.COM/HOMEDECORATORS

THANK YOU

We appreciate the trust and confidence you have placed in Home Decorators Collection through the purchase of this Table. We strive to continually create quality products designed to enhance your home. Visit us online to see our full line of products available for your home improvement needs. Thank you for choosing Home Decorators Collection!

Table of Contents

Table of Contents	2	Pre-assembly (continued)	4
Safety Information	2	Package Contents	4
Pre-assembly	3	Assembly	5
Planning Assembly	3	Assembly (Continued)	6
Tools Required	3	Maintenance	8
Hardware Included	3	Care and Cleaning	8

Safety Information

DANGER

- Keep small parts away from children during assembly.
- Read and follow instructions carefully.

WARNING

- Read these instructions carefully and keep in a safe place.
- TO GUARANTEE THE SAFE USE OF THIS PRODUCT, FOLLOW THE WARNINGS, GUIDELINES AND RECOMMENDATIONS IN THIS MANUAL.
- Adult assembly required.
- Small parts may present choking hazard prior to assembly.
- Do not stand, step or climb on unit.

CAUTION

- Do not use power tools to assemble your item.
- Power tools may strip or damage parts/product.
- Do not over tighten connectors (screws, bolts, etc.) Overtightening can lead to product damage.
- Be sure to check all packing materials carefully for small parts that may have come loose inside the carton during shipment. If parts are missing, contact THE HOME DEPOT to obtain any missing parts.
- DO NOT USE SUBSTITUTE PARTS.
- This product should only be used on a flat, level surface.
- Product is designed to load up to 45lbs. Exceeding this limit may damage the product or cause injury to the user.

Pre-assembly

PLANNING ASSEMBLY

Compare parts with the Hardware Included and Package Contents lists in this document. If anything appears missing or damaged, do not assemble this product. Call Customer Service at 1-800-986-3460

TOOLS REQUIRED



Safety goggles

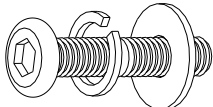
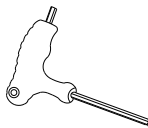

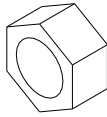

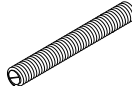



Level

HARDWARE INCLUDED



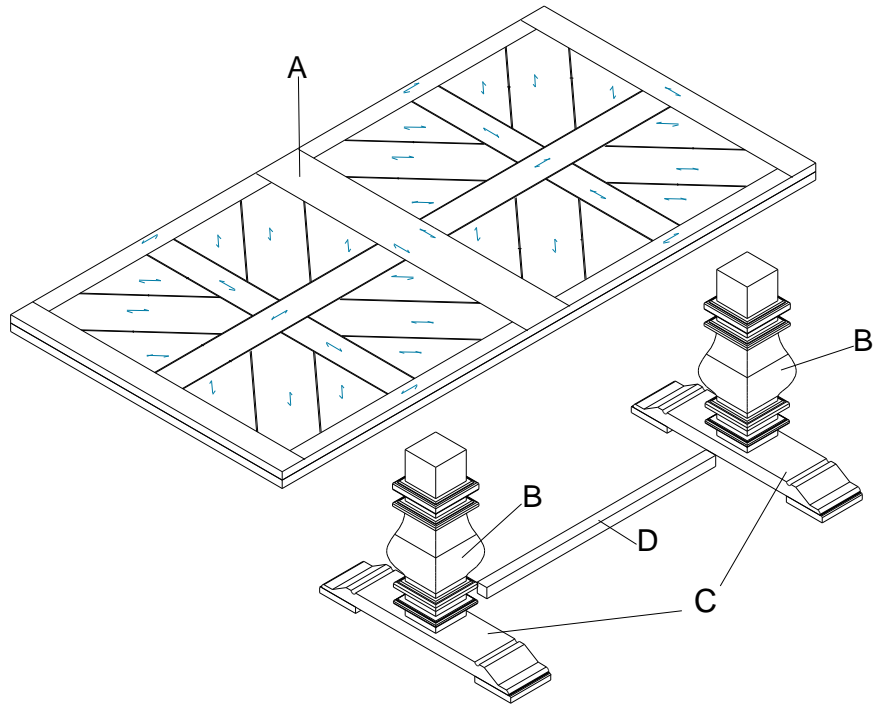
NOTE: Hardware not shown to actual size.

 AA	 BB	 CC	 DD
 EE	 FF	 GG	

IN PACK		
Part	Part Description	Quantity
AA	Bolt + Lock Washer + Washer	14 + 1
BB	Allen Key	1
CC	Half Moon Washer	2 + 1
DD	Hex Nut	2 + 1
EE	Wrench	1
FF	Threaded Rod	2 + 1
GG	Wooden Dowel	4 + 1

Pre-assembly (continued)

PACKAGE CONTENTS



Part	Component Description	Quantity
A	Table Top	1
B	Pedestal	2
C	Table Base	2
D	Stretcher	1

Assembly

1 Assembly Base to Pedestal

- Upside down Pedestal (B), then locate Bolts (AA) into drilled holes on Base (C) and tighten them through by Allen Key (BB) provided. (Reference Fig. 1)
- Do same above steps for another Pedestal.

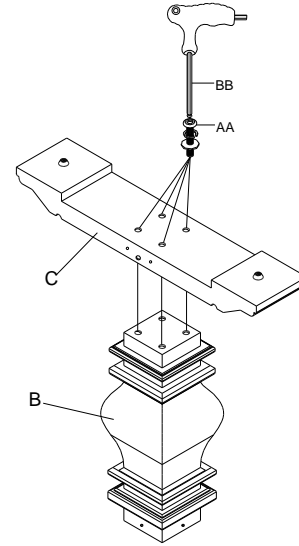


Fig.1

2 Assembly Stretcher to Base – P1

- Locate Dowels (GG) into 2 drilled holes on base as shown. In the meantime, screw up the Threaded Rod (FF) manually into the center hole as well. (Reference Fig.2)
- Make sure Dowels & Thread Rod are fitted well and aligned between Base & Stretcher. (Reference Fig.3)
- Do same above steps for another end.

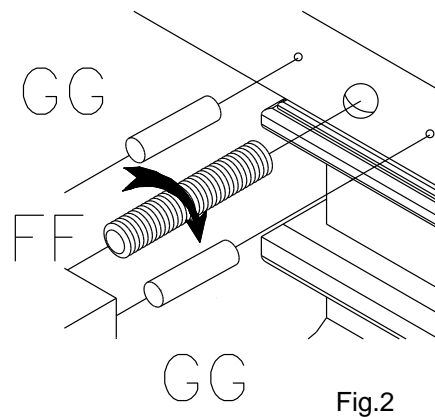


Fig.2

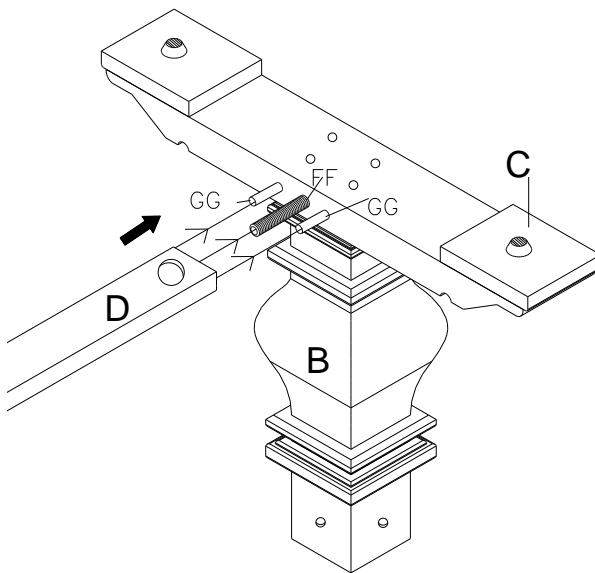


Fig.3

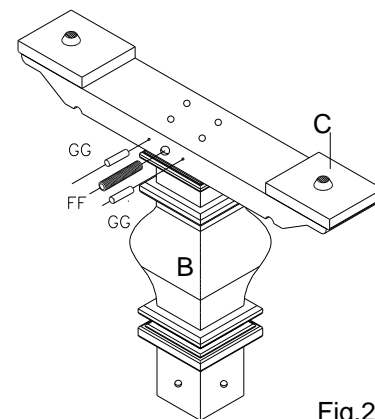


Fig.2

Assembly (Continued)

3 Assembly Stretcher to Base – P2

- Assembly Stretcher (D) to Base (C) by slightly tighten Threaded Rod (FF), Half Moon Washer (CC), Hex Nut (DD) with Wrench (EE) provided. (Reference Fig.4)



NOTE: Tight Slightly till the whole Table set in.

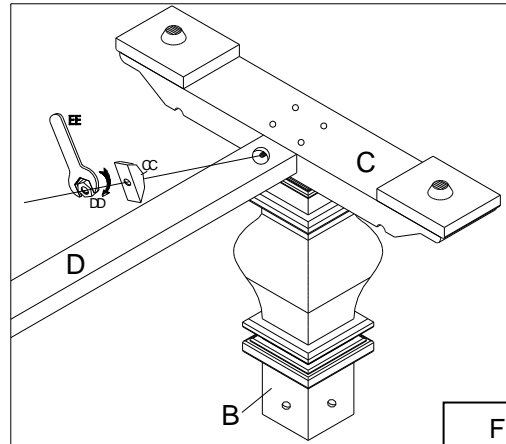
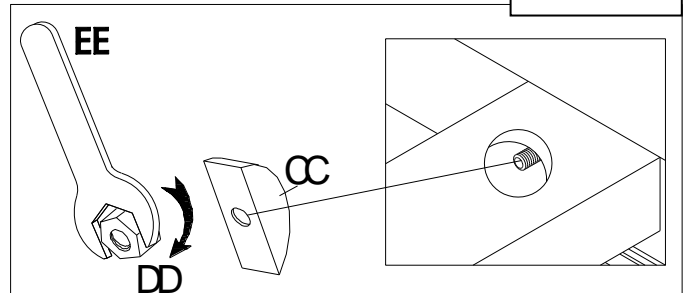


Fig.4



4 Assembly Pedestal to Table Top – P1

- Place Table Top (A) upside down on a soft surface such as blanket or carpet to prevent it from being scratched.
- Place Pedestals (B) into **square blocks** under top. (Reference Fig.5)
- Tighten Bolts (AA) by Allen Key (BB) from top support rail through Pedestal (B) as shown. (Reference Fig.5)
- Do same above steps for 3 sides. (Reference Fig.6)
- Do same above steps for another Pedestal.



NOTE: Tight slightly till all bolts are completely in each hole. Then tighten before turn Table over.

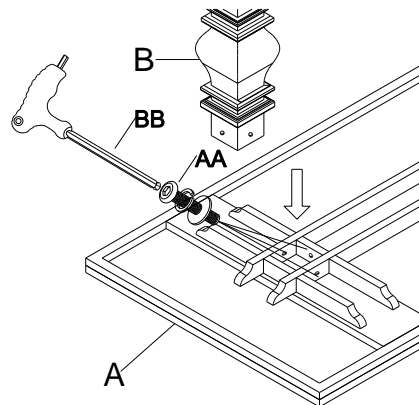


Fig.5

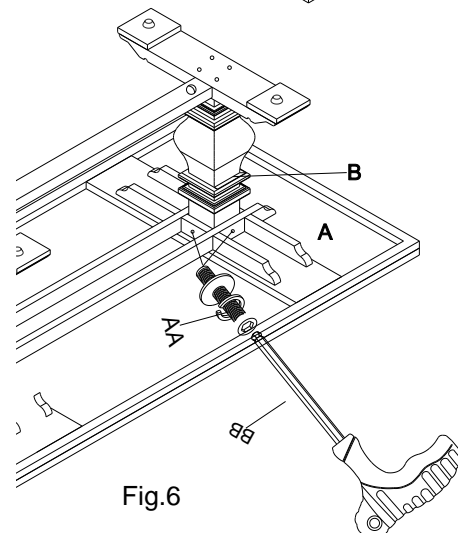


Fig.6

5 Assembly Pedestal to Table Top – P2

- Before turn Table over, please tighten all assembly hardware on stretcher. (Reference Fig.7)

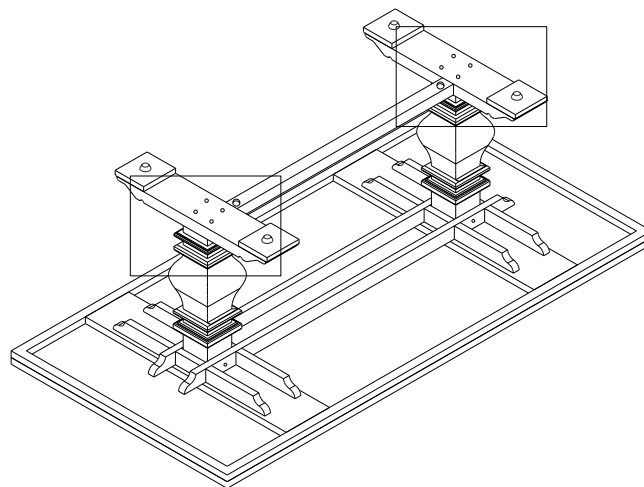


Fig.7

6 Assembly Completed

- Turn over Table



NOTE: Adjust table level by adjusting bottom levelers.

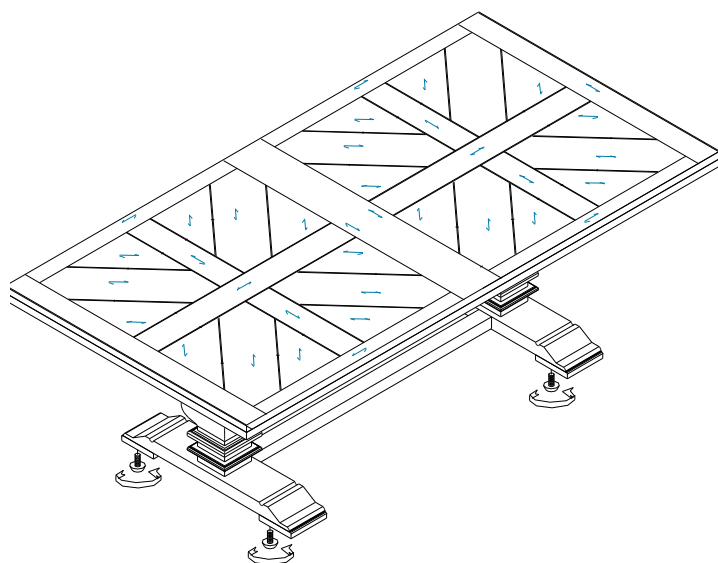
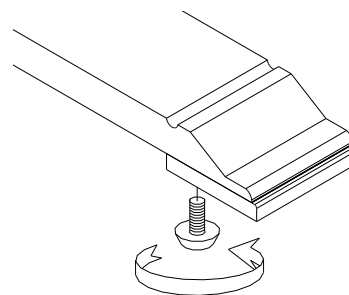


Fig.8



Maintenance

- If your furniture is stained or otherwise damaged during use, contact a professional for repairs.

Care and Cleaning

- Use a soft, clean cloth that will not scratch the surface when dusting.
- Use of furniture polishes is not necessary. Should you choose to use polishes, test the polish in an inconspicuous area before using over the entire surface of the product.
- Using solvents of any kind on your furniture may damage the finish.
- Never use water to clean your furniture as it may cause damage to the finish.
- Always use coasters under beverage glasses and flowerpots.
- Liquid spills should be removed immediately. Using a soft, clean cloth, blot the spill gently. Avoid rubbing.
- Always use protective pads under hot dishes and plates. Heat can cause chemical changes that may create spotting within the furniture finish.
- Use care as stains or marks from crayons or ink markers will be difficult to remove.
- Be sure to immediately clean red wine or soda stains within 30 minutes or the surface will stain

The logo for Home Decorators Collection is centered on a dark gray rectangular background. The word "HOME" is written in a large, white, serif font. Below it, "DECORATORS" is written in a smaller, white, sans-serif font. At the bottom, "COLLECTION®" is written in an even smaller, white, sans-serif font.

HOME
DECORATORS
COLLECTION®

Questions, problems, missing parts?
Before returning to the store, call Home Decorators Collection Customer Service.
8 a.m. – 7 p.m., EST, Monday – Friday, 9 a.m. – 6 p.m., EST, Saturday

1-800-986-3460

HOMEDEPOT.COM/HOMEDECORATORS

Retain this manual for future use.