

10-60

9 in. Flooring Cutter for Laminate & Engineered Wood

CUTTING CAPACITY

THICKNESS	WIDTH
≤ 5/8" (16 mm)	≤ 5 1/2" (140 mm)
≤ 1/2" (13 mm)	≤ 7" (175 mm)
≤ 3/8" (10 mm)	≤ 8 1/2" (215 mm)

LEVERAGE

Extra long handle for better cutting leverage

LONG LASTING

9" replaceable, 4 mm tungsten blade (#10-460)

STURDY

Positionable "V" support keeps planks level while cutting

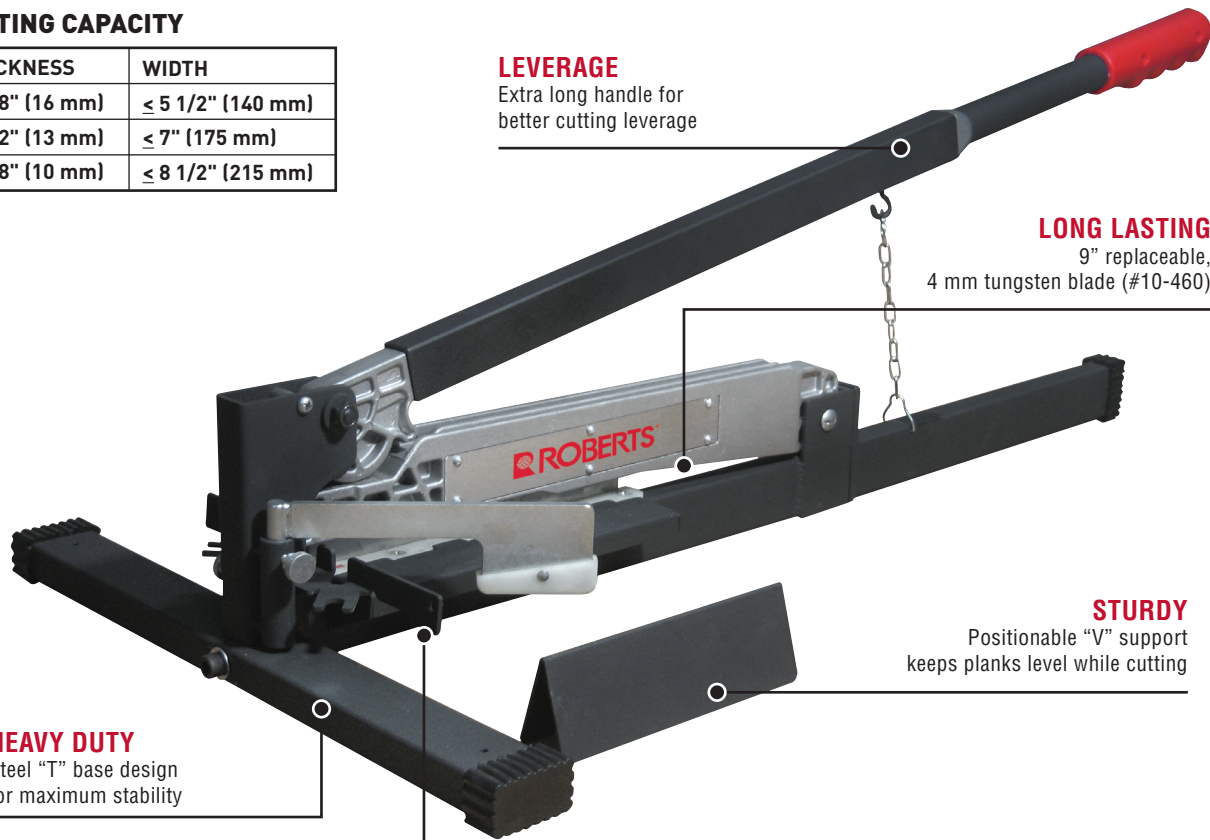
HEAVY DUTY

Steel "T" base design for maximum stability

Positionable support arm and "V" support hold planks in place for accurate, clean cuts

VERSATILE

Angle guide for 45° cuts



Quality & Excellence Since 1938.

www.ROBERTSCONSOLIDATED.com

U.S. Headquarters
866 435 8665

Canada
800 840 9422

Europe/Middle East
0031 24 6485348

Australia
011 61 3 9797 1888

New Zealand
64 9 415 9700