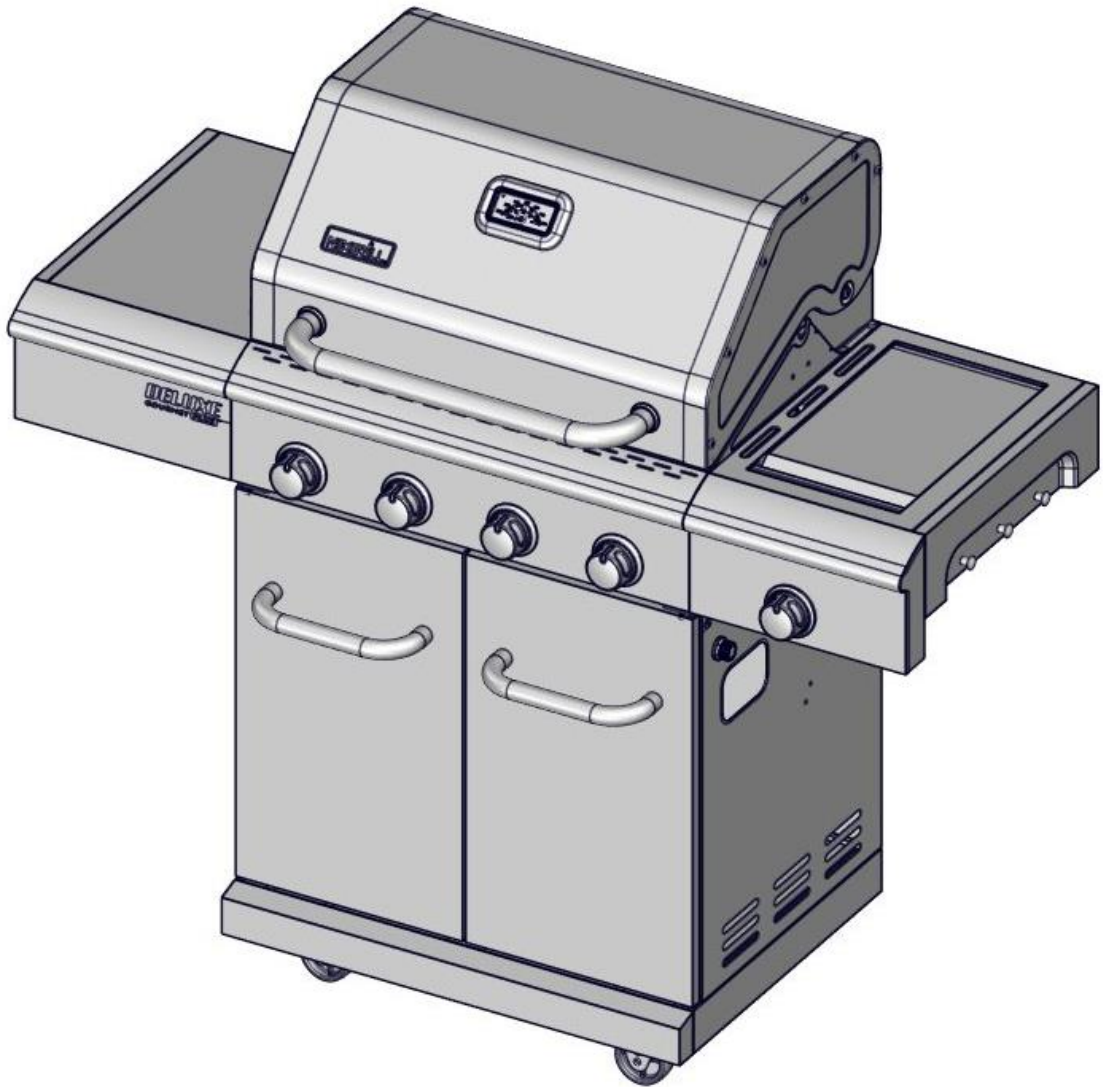
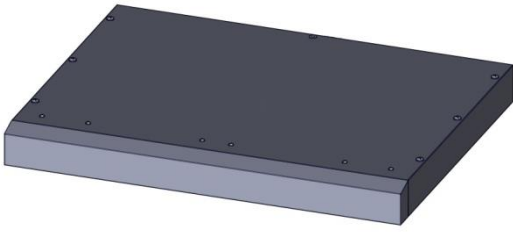


730-0958HE(NG only)

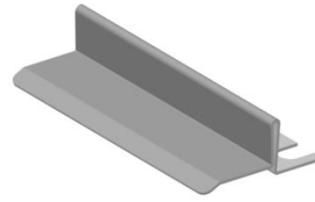


Package parts List

1



2



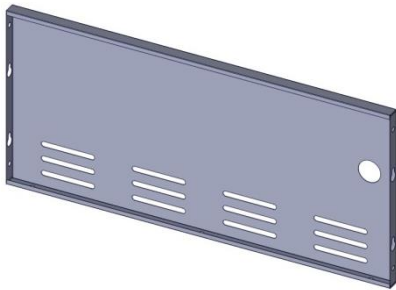
3



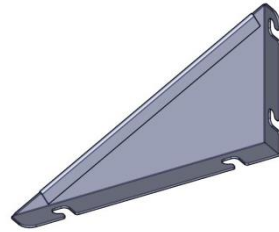
4



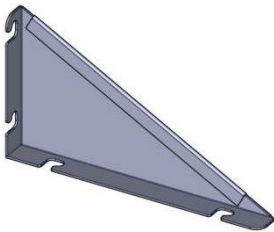
5



6



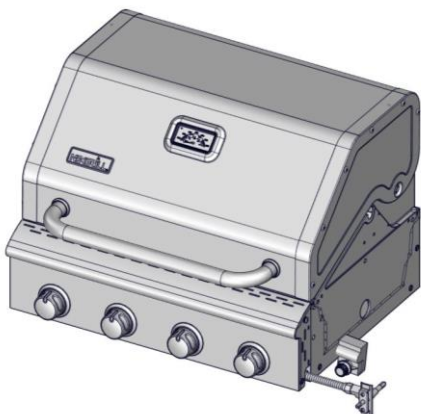
7



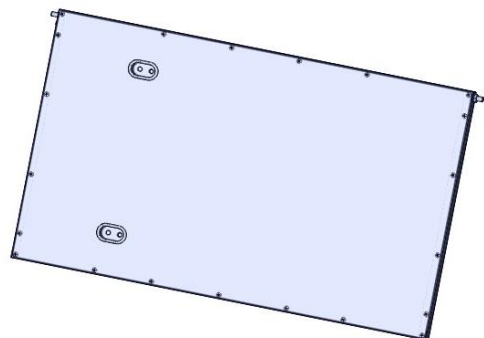
8



9

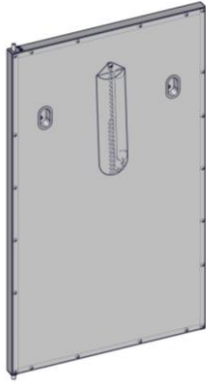


10



Package parts List

11



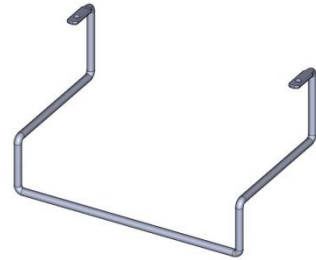
12 x2



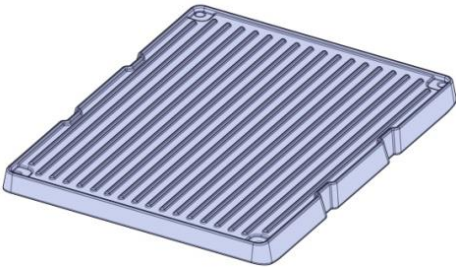
13



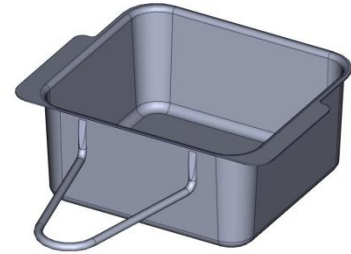
14



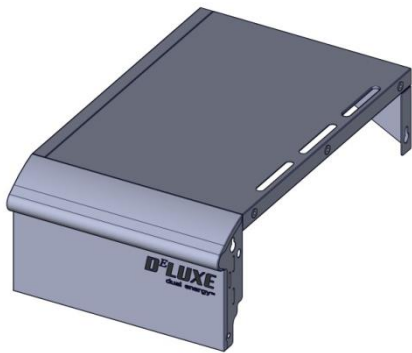
15



16



17



18



19

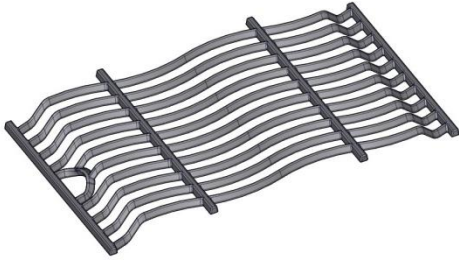


20

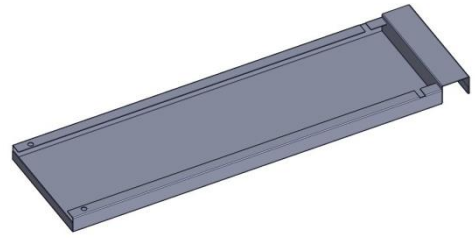


Package parts List

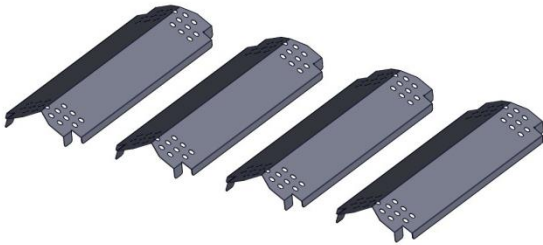
21



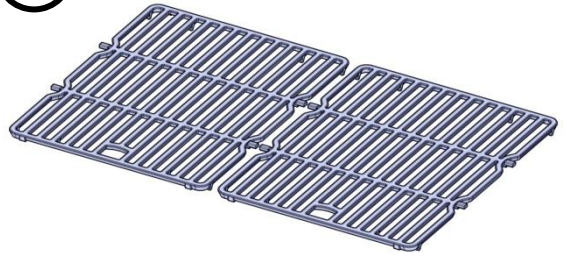
22



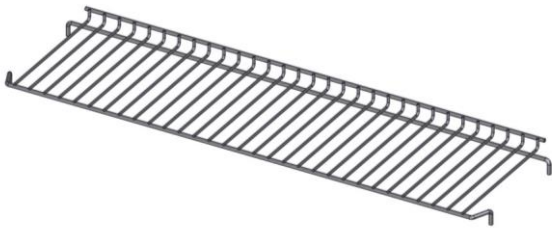
23 x4



24 x2



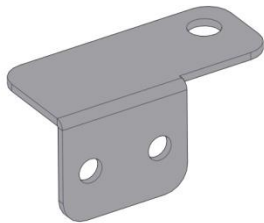
25



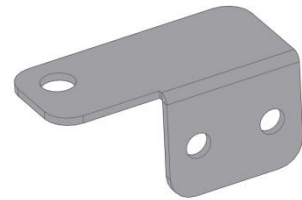
26



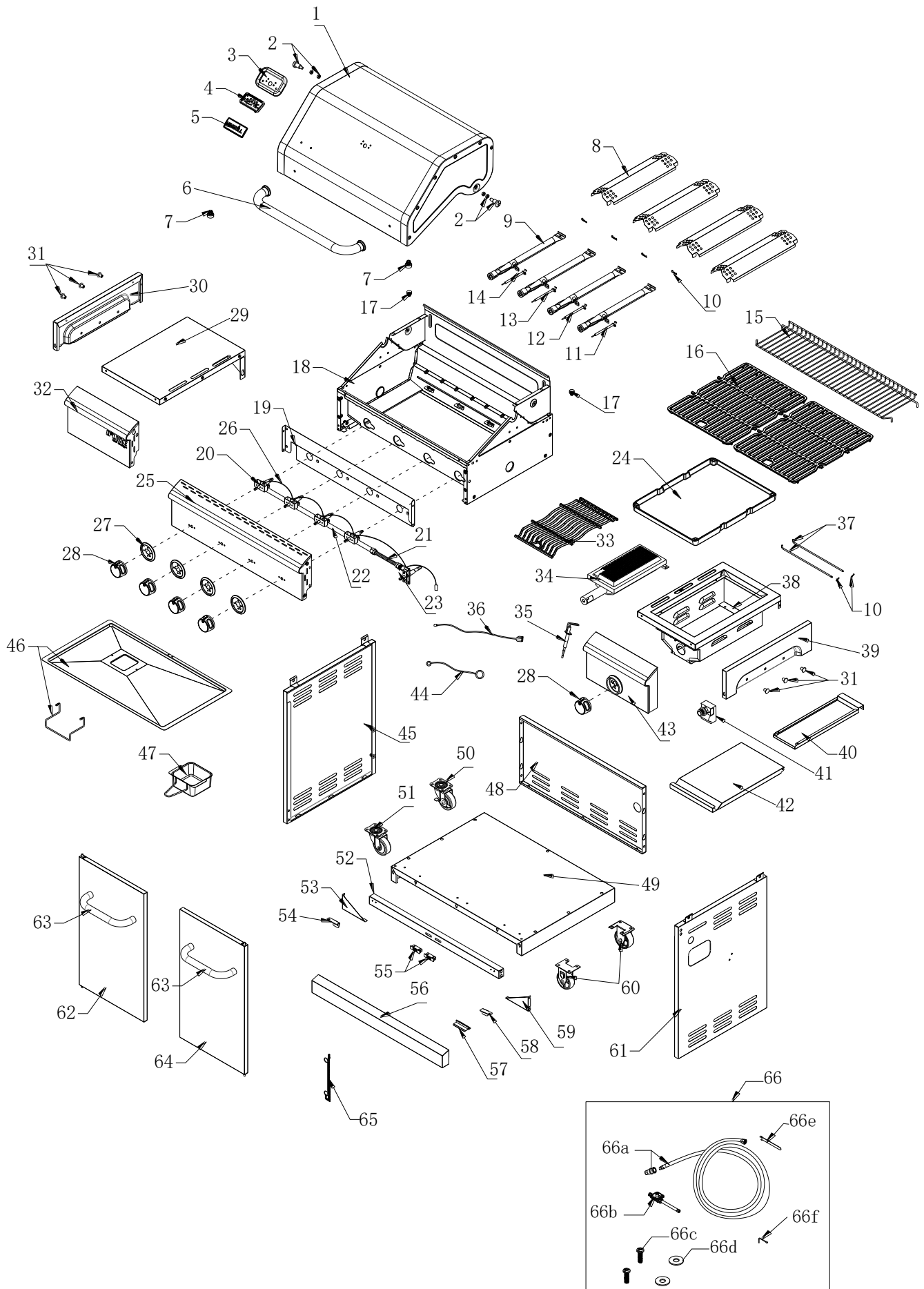
27



28



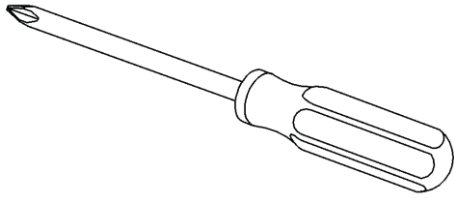
Parts Diagram



Parts List

| No. | Part (Description) | QTY | No. | Part (Description) | QTY |
|-----|--------------------------------------|-----|-----|---|-----|
| 1 | Main lid | 1 | 37 | Searing side burner lid hinge rod | 2 |
| 2 | Main lid screw | 2 | 38 | Searing side burner bowl assembly | 1 |
| 3 | Temperature gauge Housing | 1 | 39 | Side burner shelf trim piece | 1 |
| 4 | Temperature gauge | 1 | 40 | Searing side burner grease tray | 1 |
| 5 | Logo | 1 | 41 | Pulse igniter module | 1 |
| 6 | Main lid handle assembly | 1 | 42 | Searing side burner lid | 1 |
| 7 | Hood buffer A | 2 | 43 | Searing side burner control panel | 1 |
| 8 | Flame tamer | 4 | 44 | Grounding wire | 1 |
| 9 | Main burner | 4 | 45 | Side panel, left | 1 |
| 10 | Burner pin assembly | 6 | 46 | Grease tray assembly | 1 |
| 11 | Main burner igniter wire A | 1 | 47 | Grease box | 1 |
| 12 | Main burner igniter wire B | 1 | 48 | Rear panel | 1 |
| 13 | Main burner igniter wire C | 1 | 49 | Bottom panel | 1 |
| 14 | Main burner igniter wire D | 1 | 50 | Swivel caster with brake | 1 |
| 15 | Warming rack | 1 | 51 | Swivel caster | 1 |
| 16 | Cooking grid with hole | 2 | 52 | Cart frame, front | 1 |
| 17 | Hood buffer B | 2 | 53 | Triangle bracket, left | 1 |
| 18 | Main burner bowl assembly | 1 | 54 | Door hinge fixed plate, left | 1 |
| 19 | Front baffle | 1 | 55 | Door magnet | 2 |
| 20 | Main gas valve | 4 | 56 | Bottom panel trim piece | 1 |
| 21 | Searing side burner flex gas line | 1 | 57 | Door iron piece | 1 |
| 22 | Main manifold | 1 | 58 | Door hinge fixed plate, right | 1 |
| 23 | Searing side burner gas valve | 1 | 59 | Triangle bracket, right | 1 |
| 24 | Cooking griddle | 1 | 60 | Caster | 2 |
| 25 | Main control panel | 1 | 61 | Side panel, right | 1 |
| 26 | Switch cord assembly | 1 | 62 | Door, left | 1 |
| 27 | Control knob bezel | 4 | 63 | Door handle | 2 |
| 28 | Main burner control knob | 5 | 64 | Door, right | 1 |
| 29 | Side shelf, left | 1 | 65 | Lighting rod | 1 |
| 30 | left side shelf trim piece | 1 | 66 | NG conversion kit | 1 |
| 31 | Tooling hook | 6 | 66a | NG gas hose with quick connector assembly | 1 |
| 32 | Side shelf control panel | 1 | 66b | NG regulator assembly | 1 |
| 33 | Searing side burner cooking grid | 1 | 66c | Truss head screw with lock | 2 |
| 34 | Searing side burner | 1 | 66d | Flat washer | 2 |
| 35 | Searing side burner igniter wire pin | 1 | 66e | 6mm Wrench | 1 |
| 36 | Searing side burner igniter wire | 1 | 66f | 6mm Nut Driver | 1 |

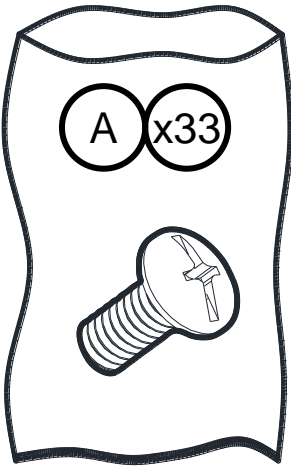
Tools Needed



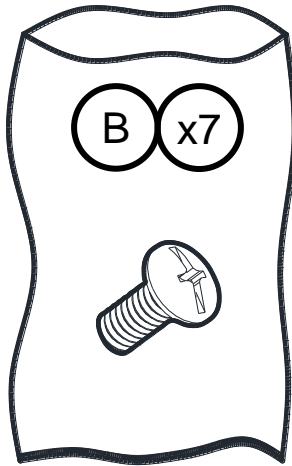
Some parts come with Screws pre-installed.
Loosen and tighten for final assembly.

Hardware package list

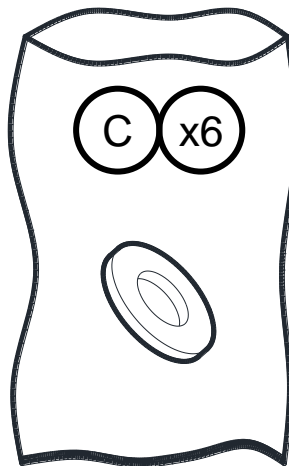
Truss Head Screw
1/4-20 x 5/8 "



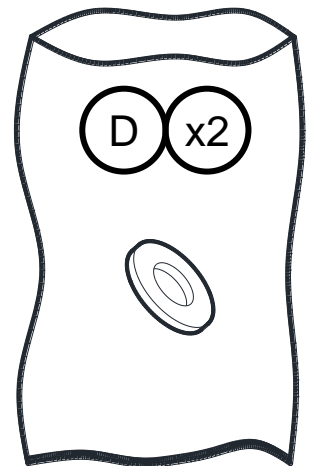
Truss Head Screw
5/32-32x 3/8 "

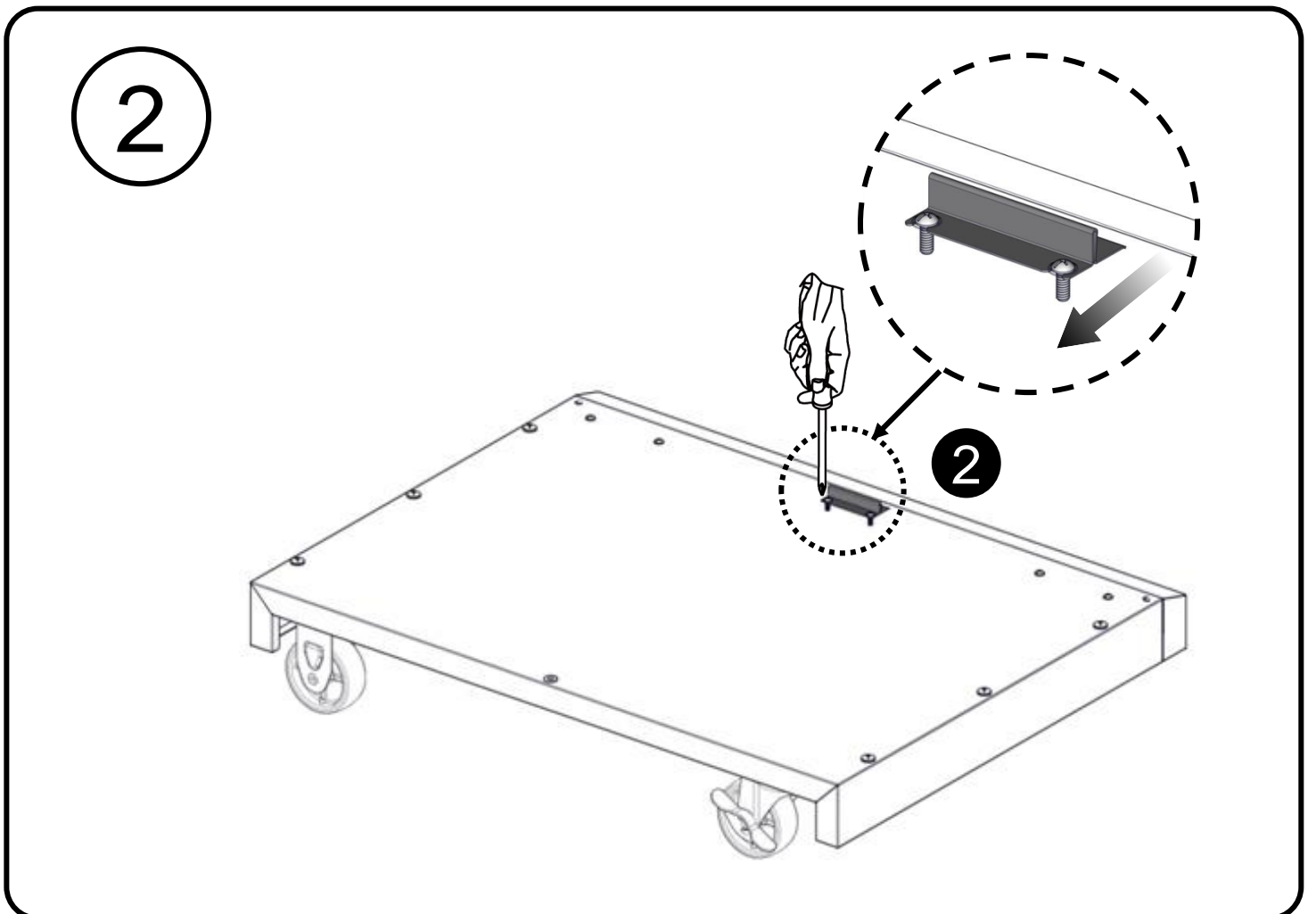
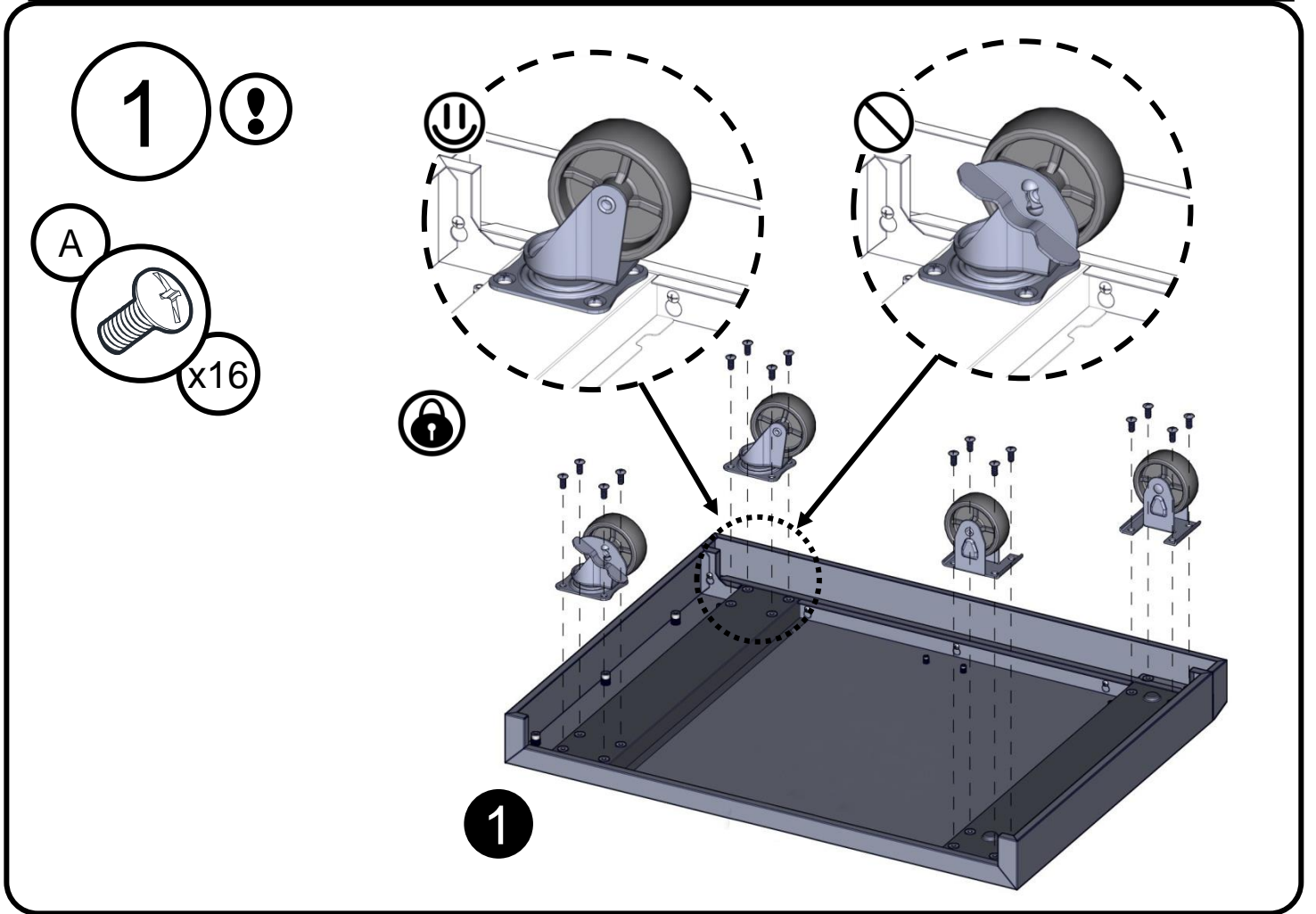


Flat Washer
1/4"

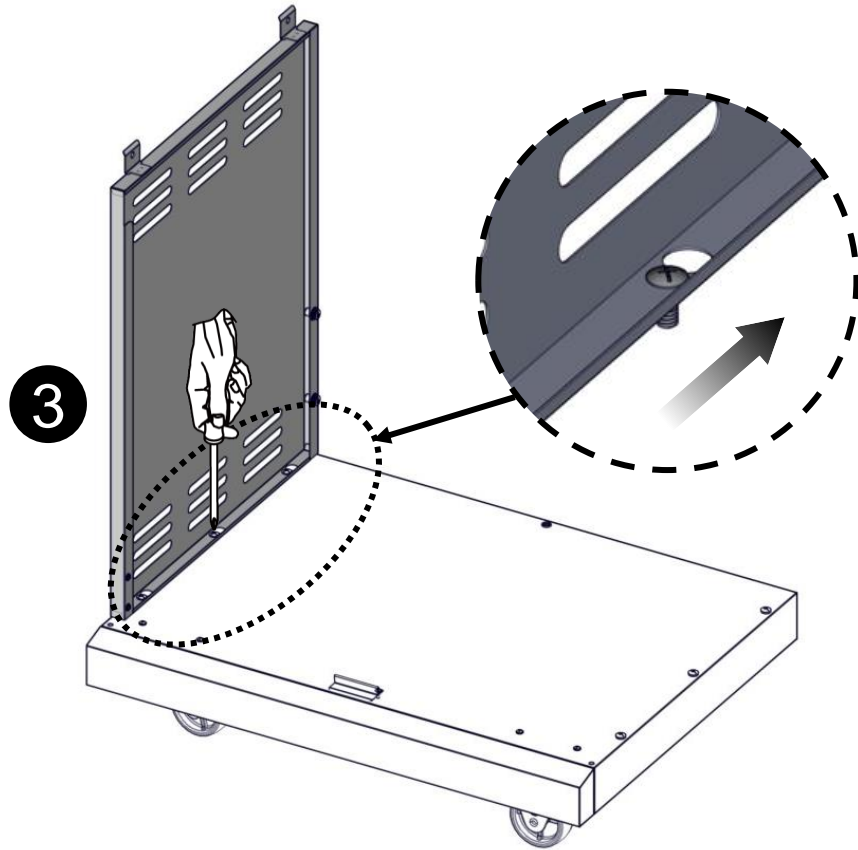


Flat Washer
5/32"

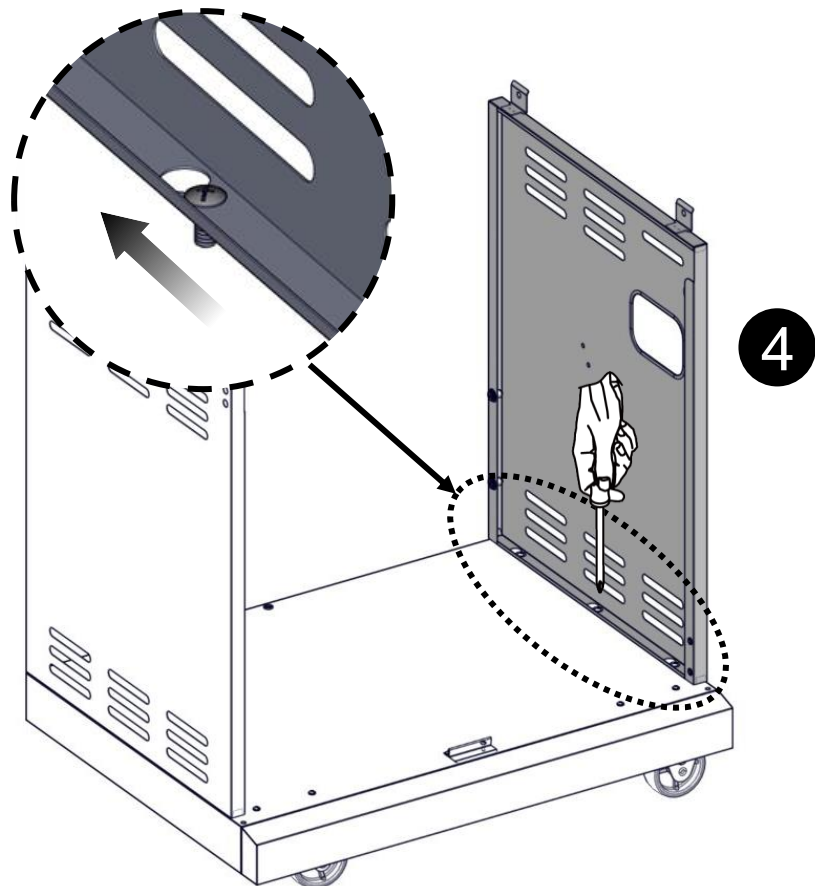


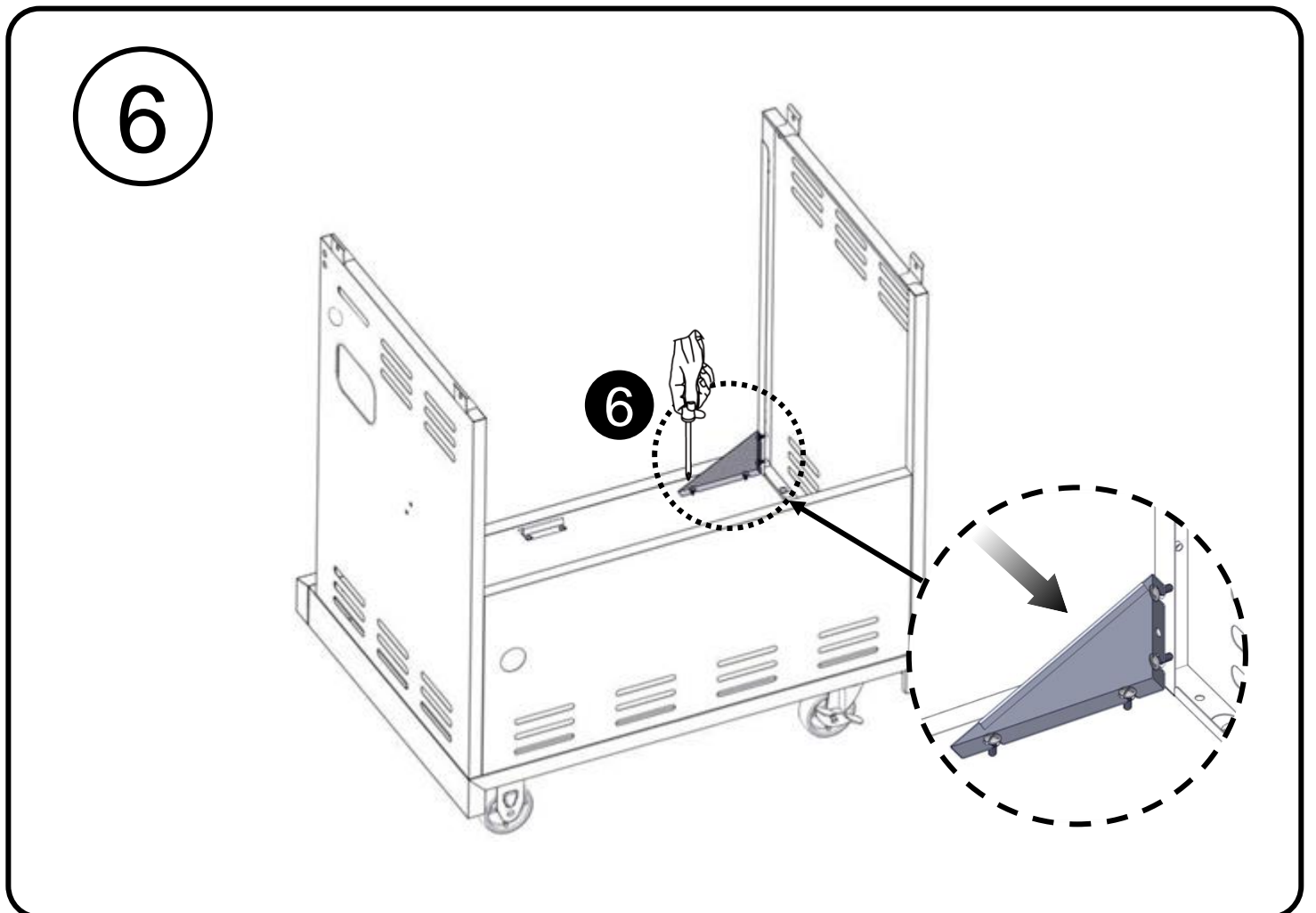
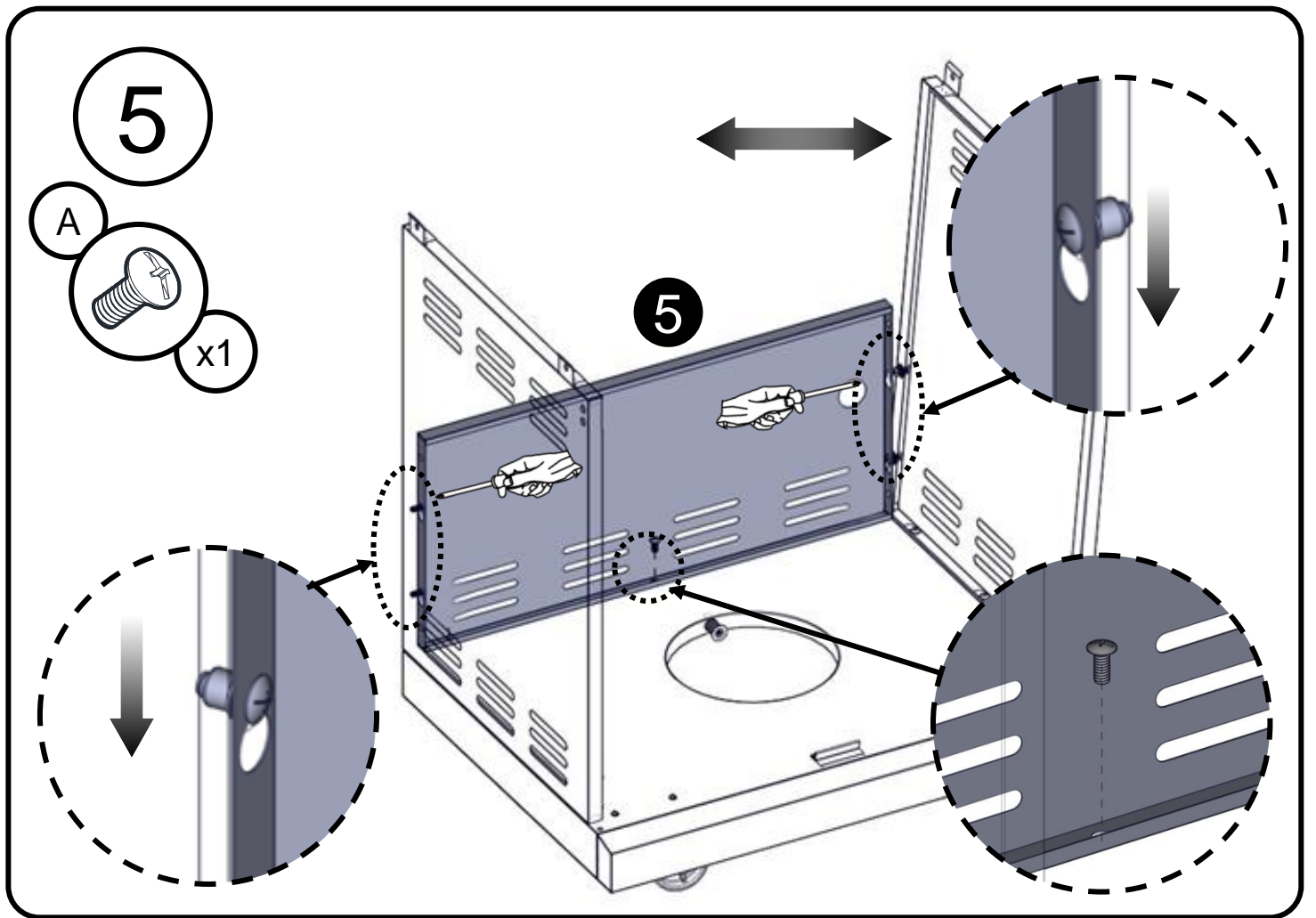


3

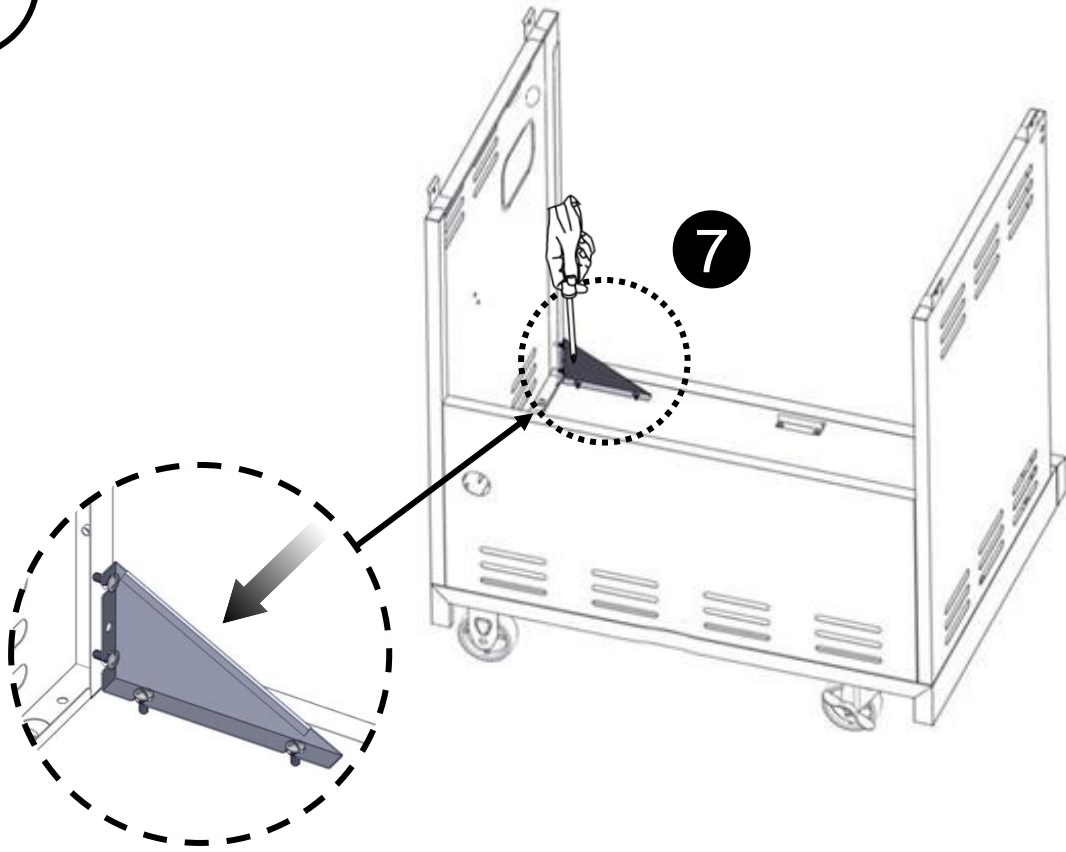


4

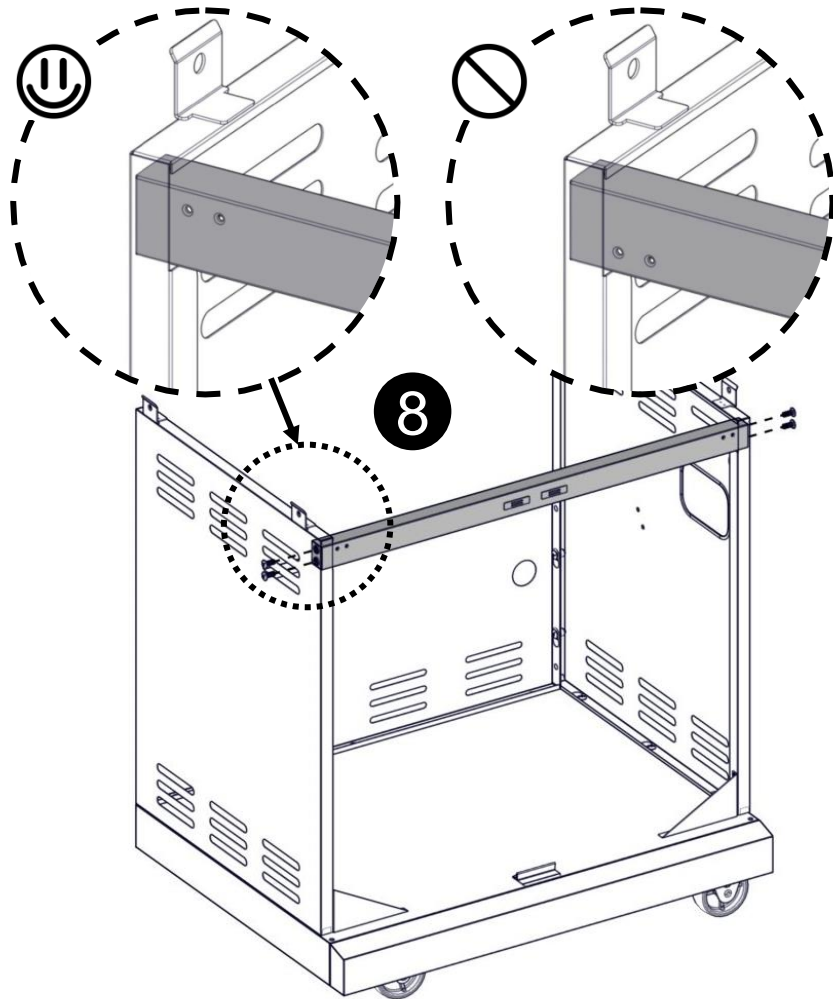
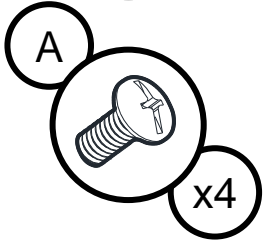


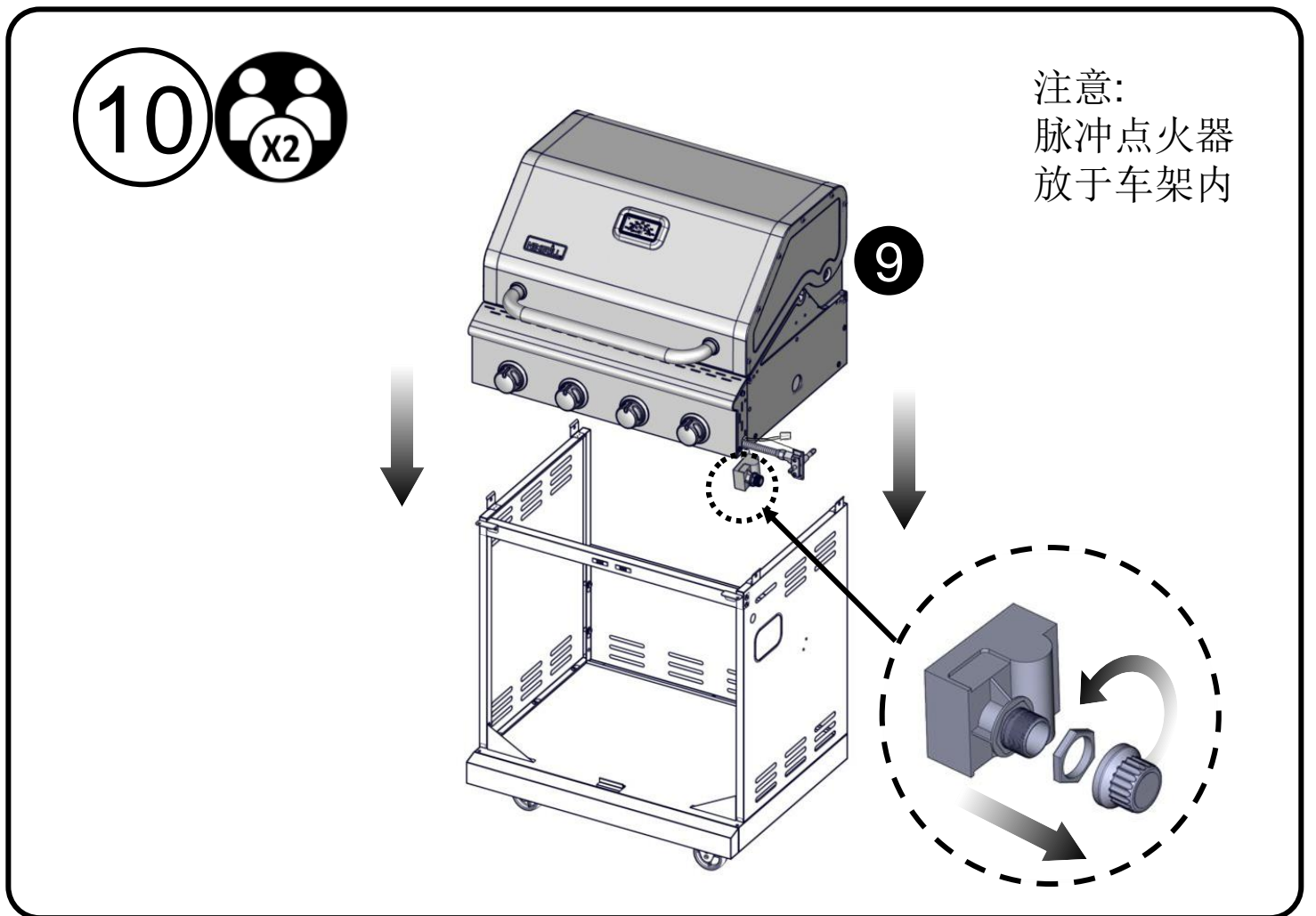
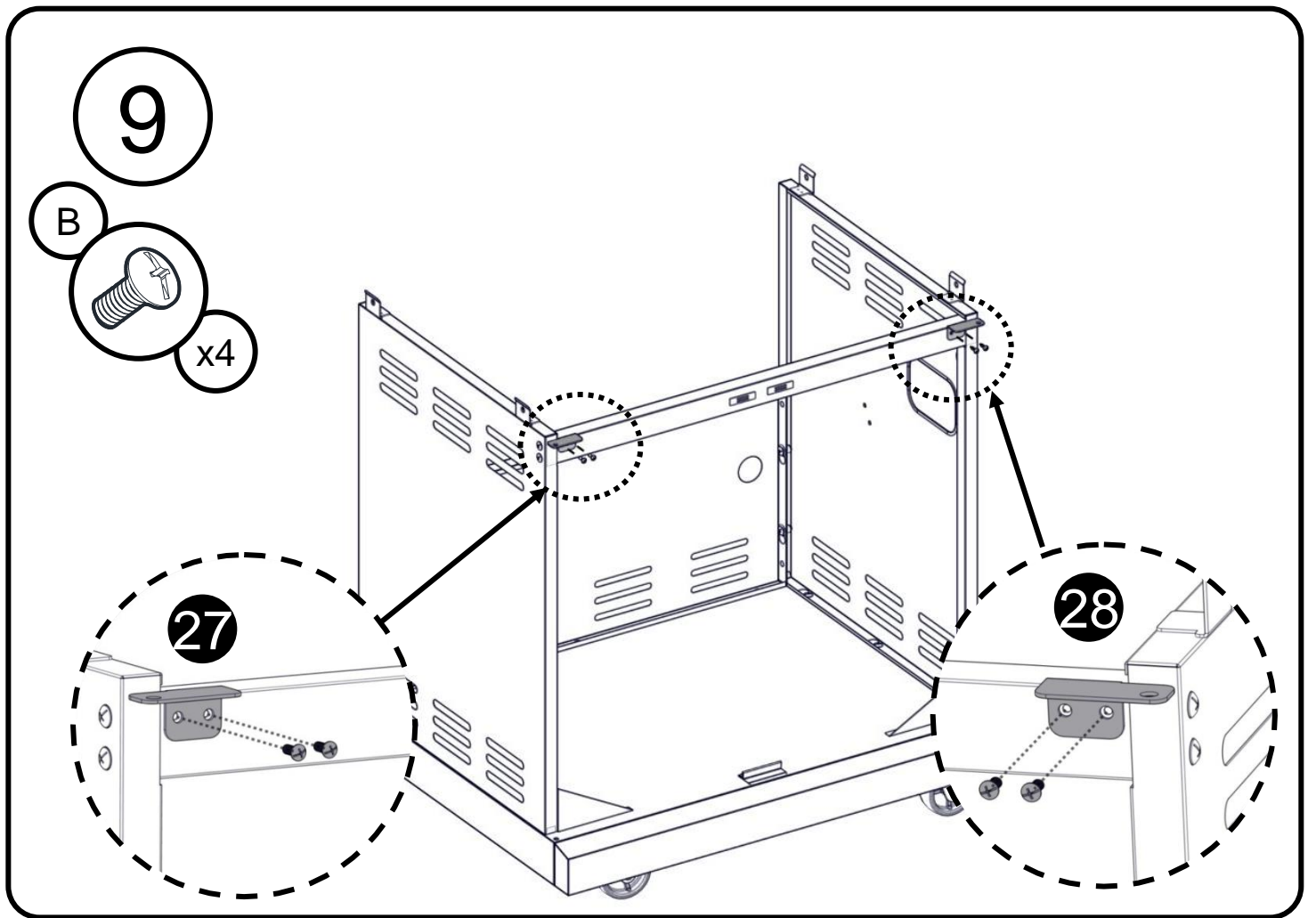


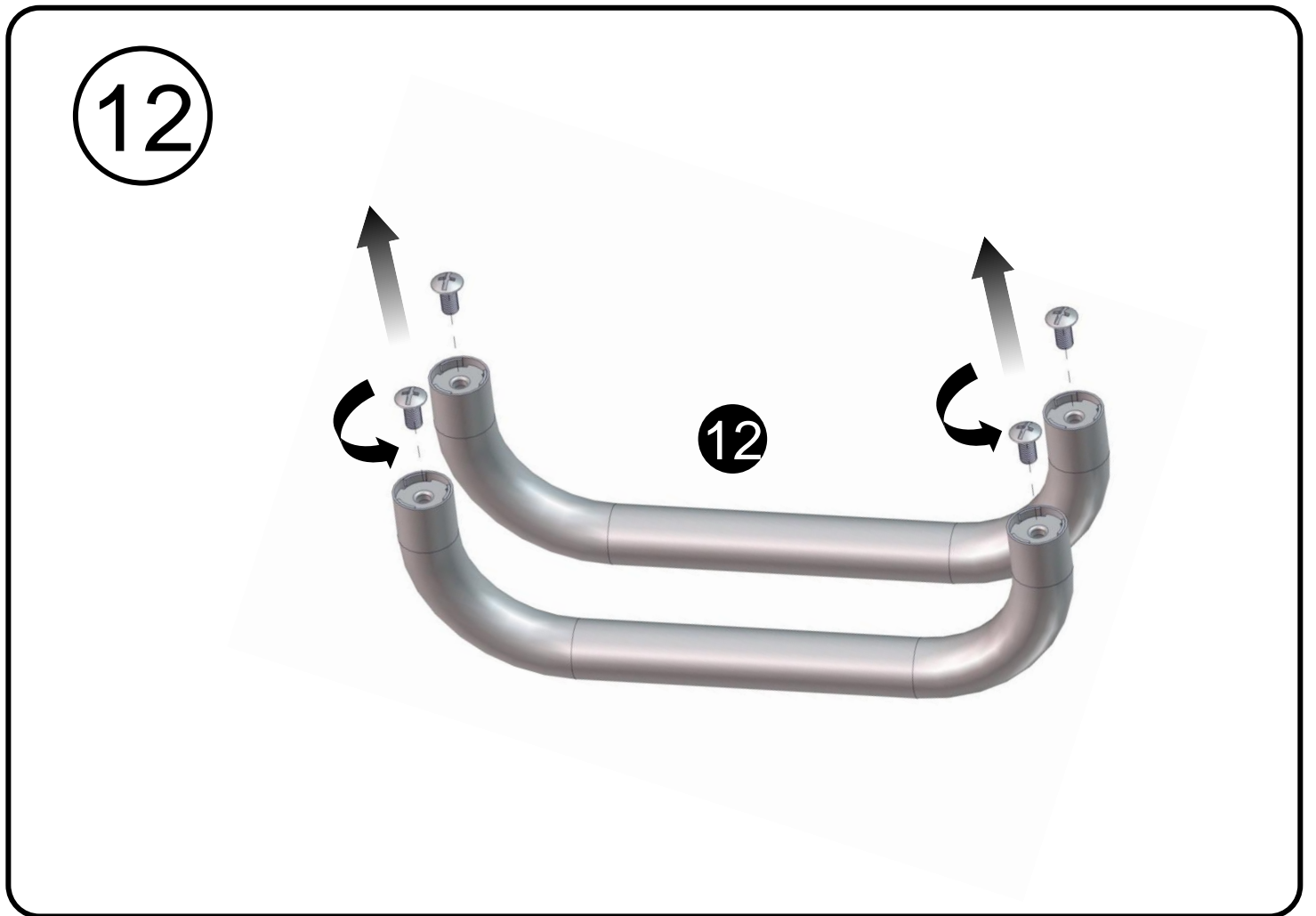
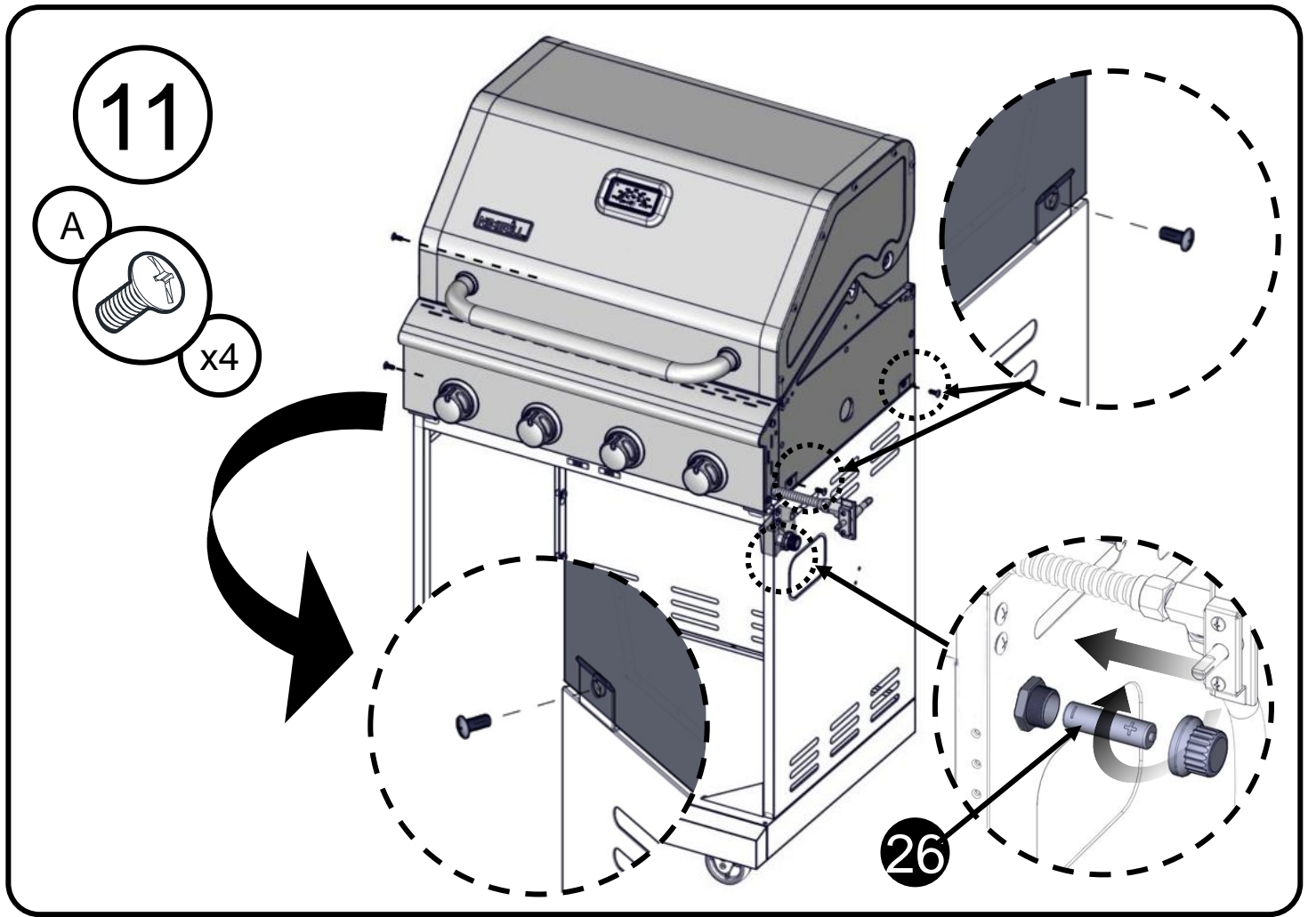
7



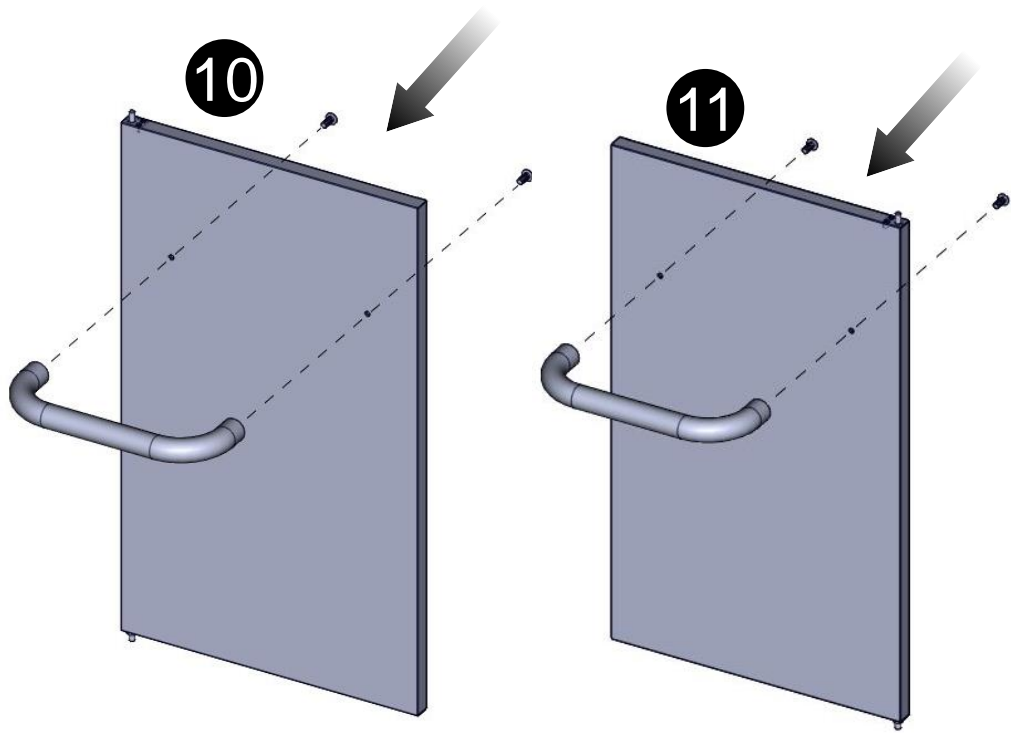
8



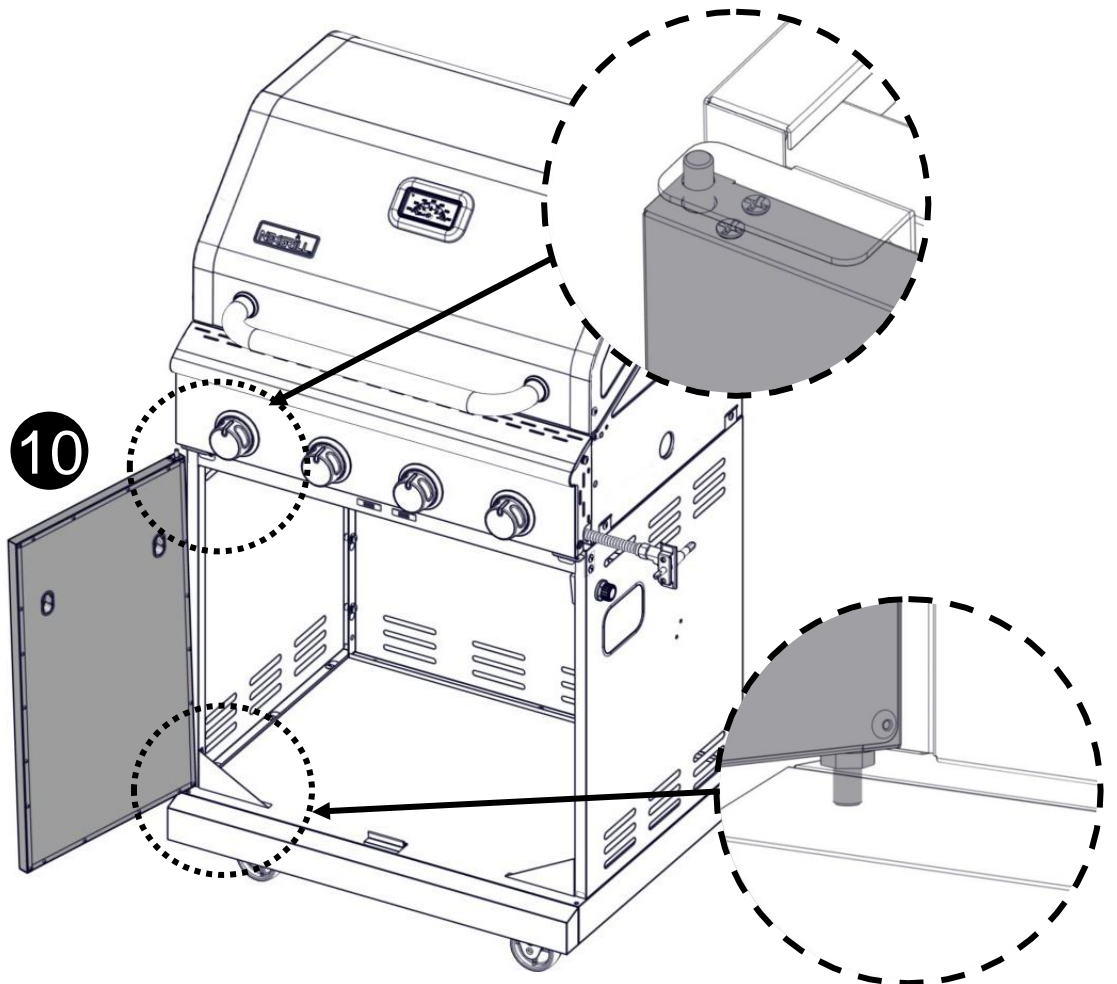




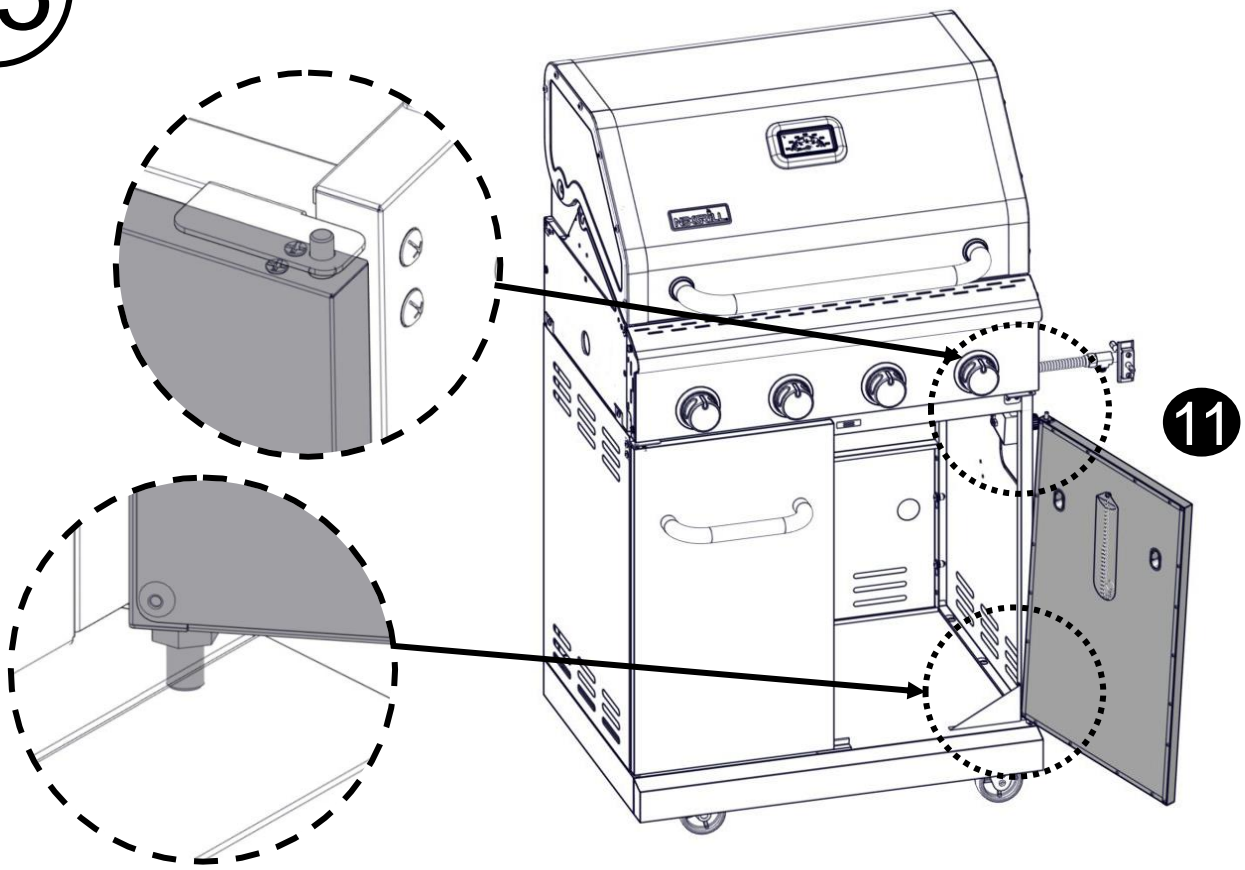
13



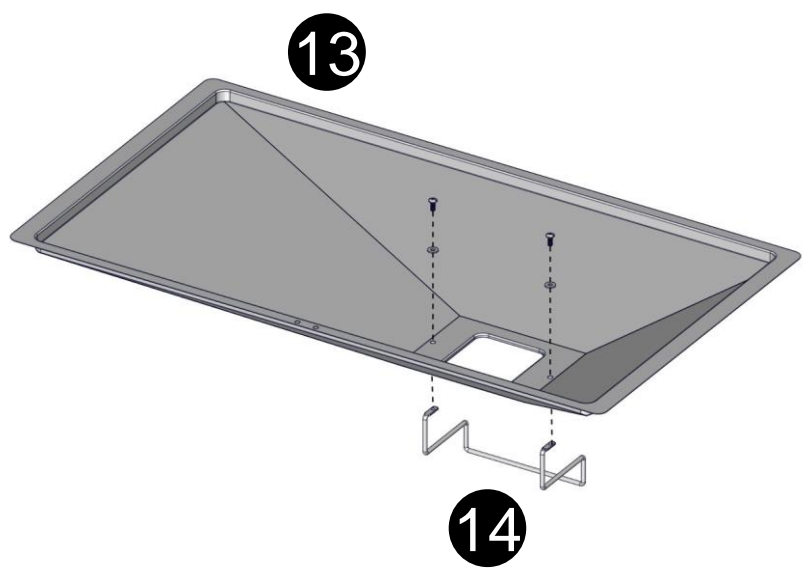
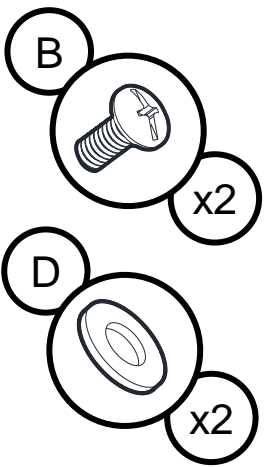
14



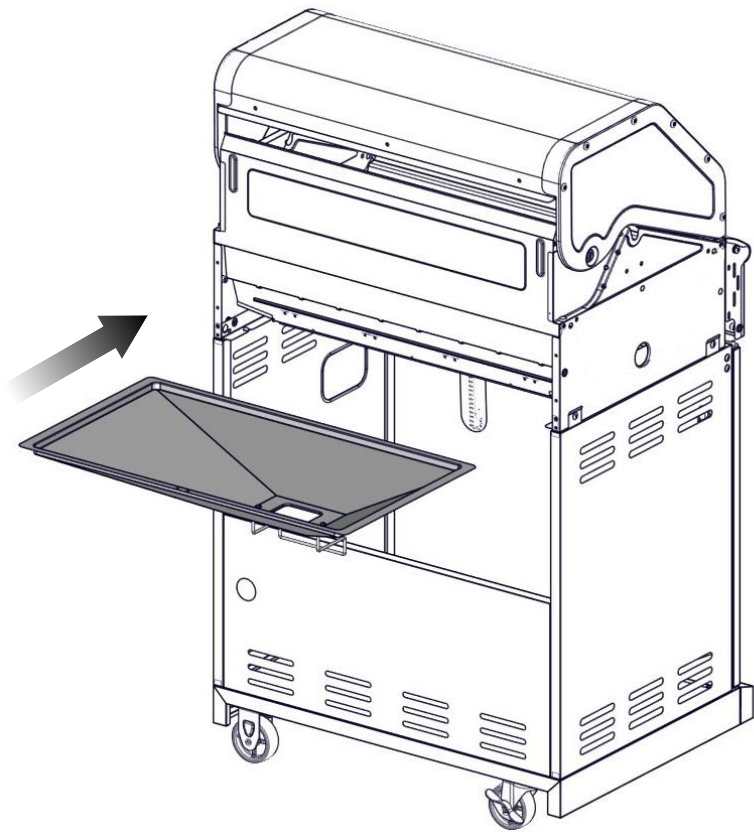
15



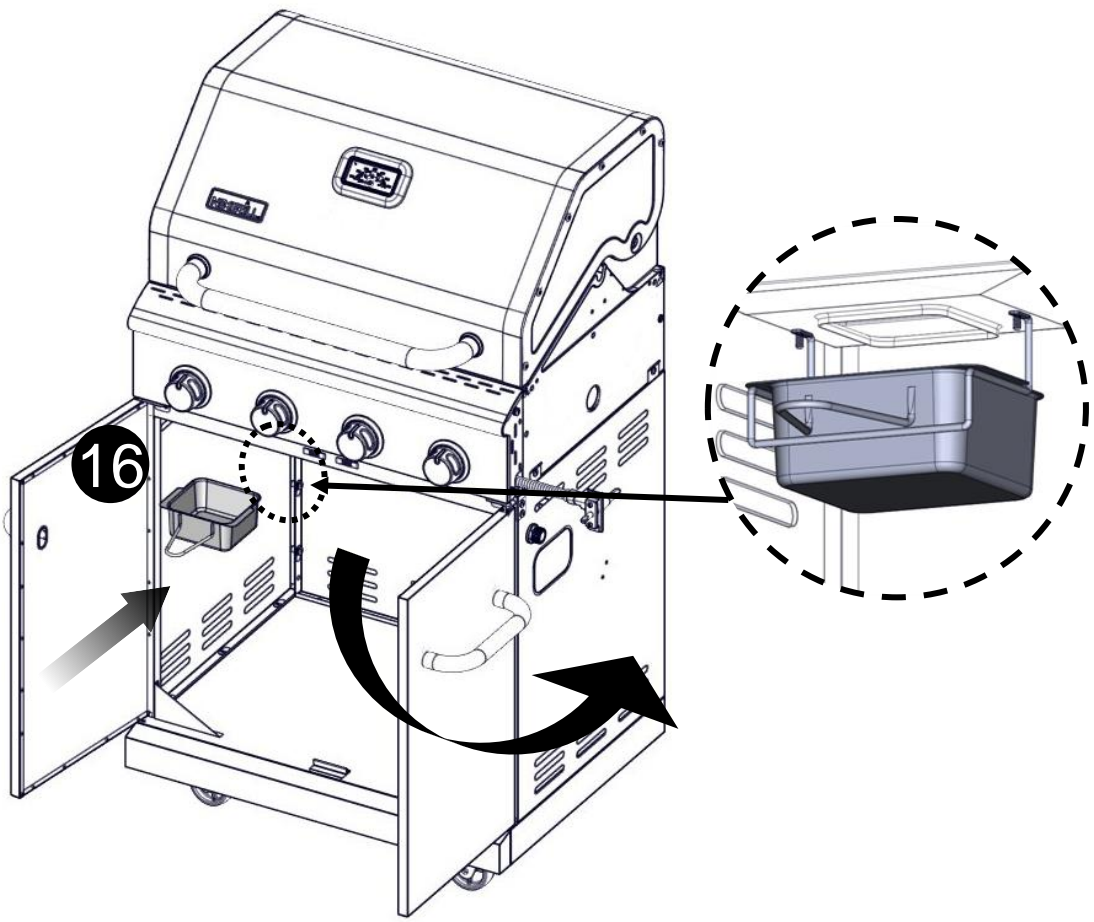
16

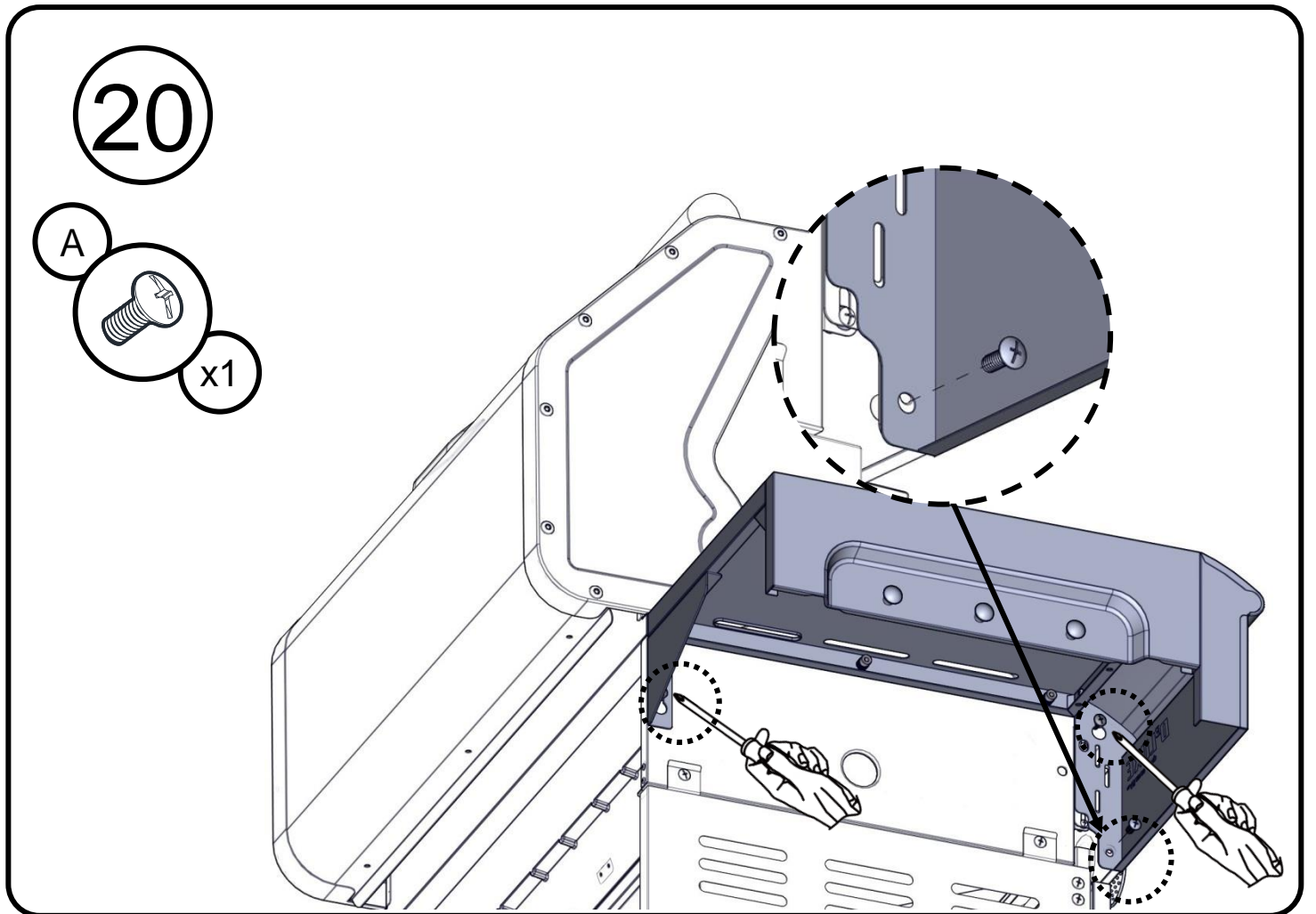
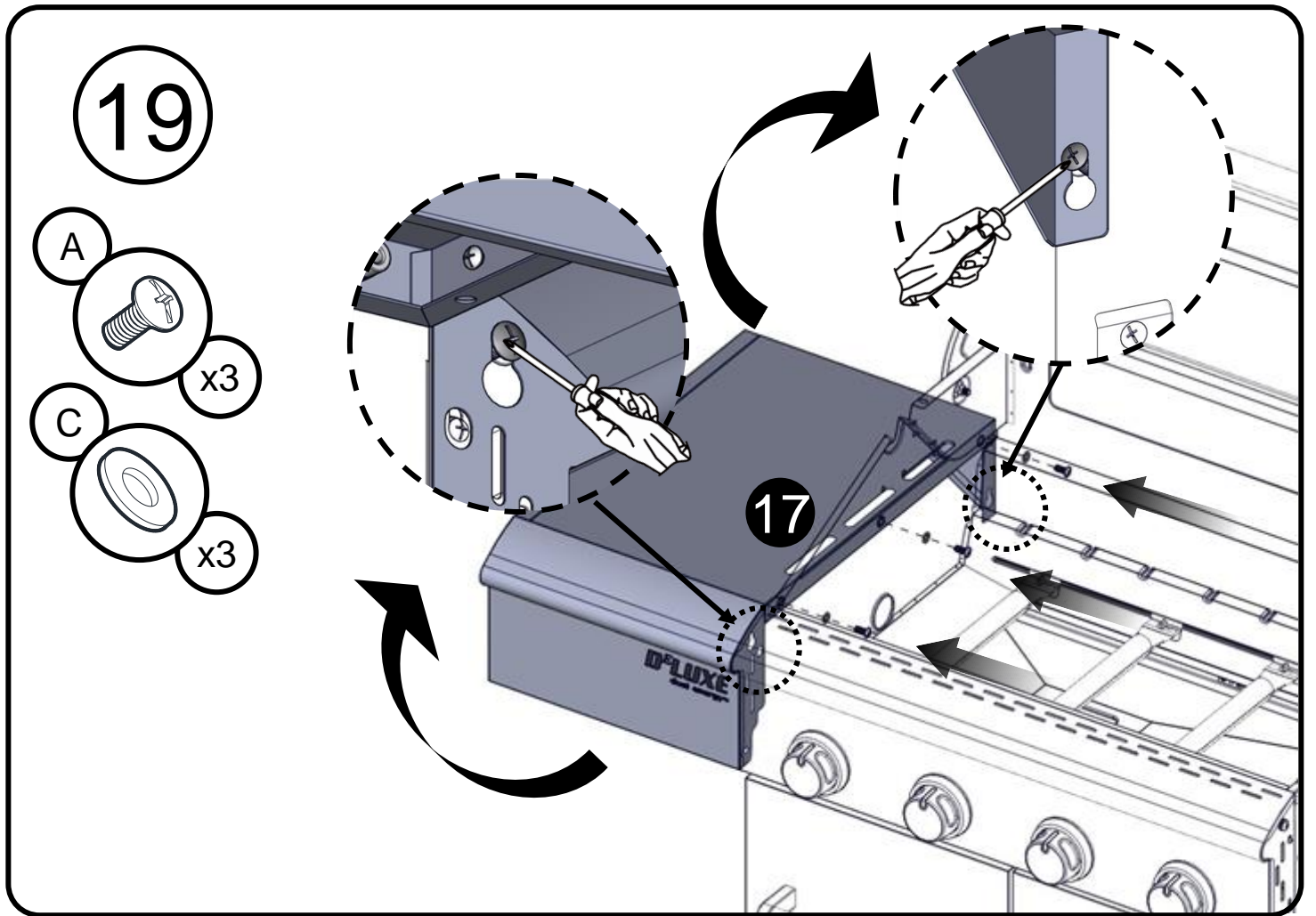


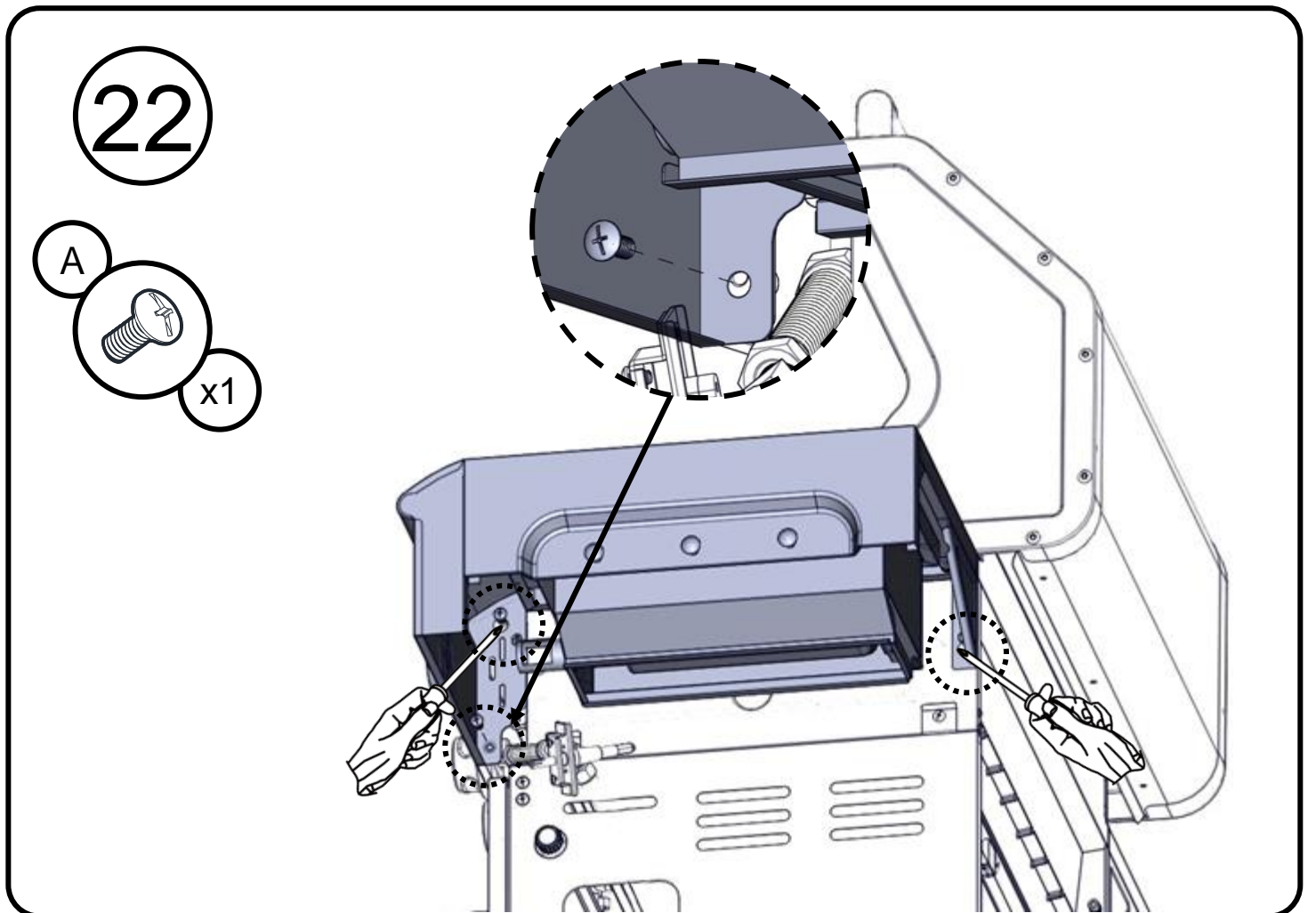
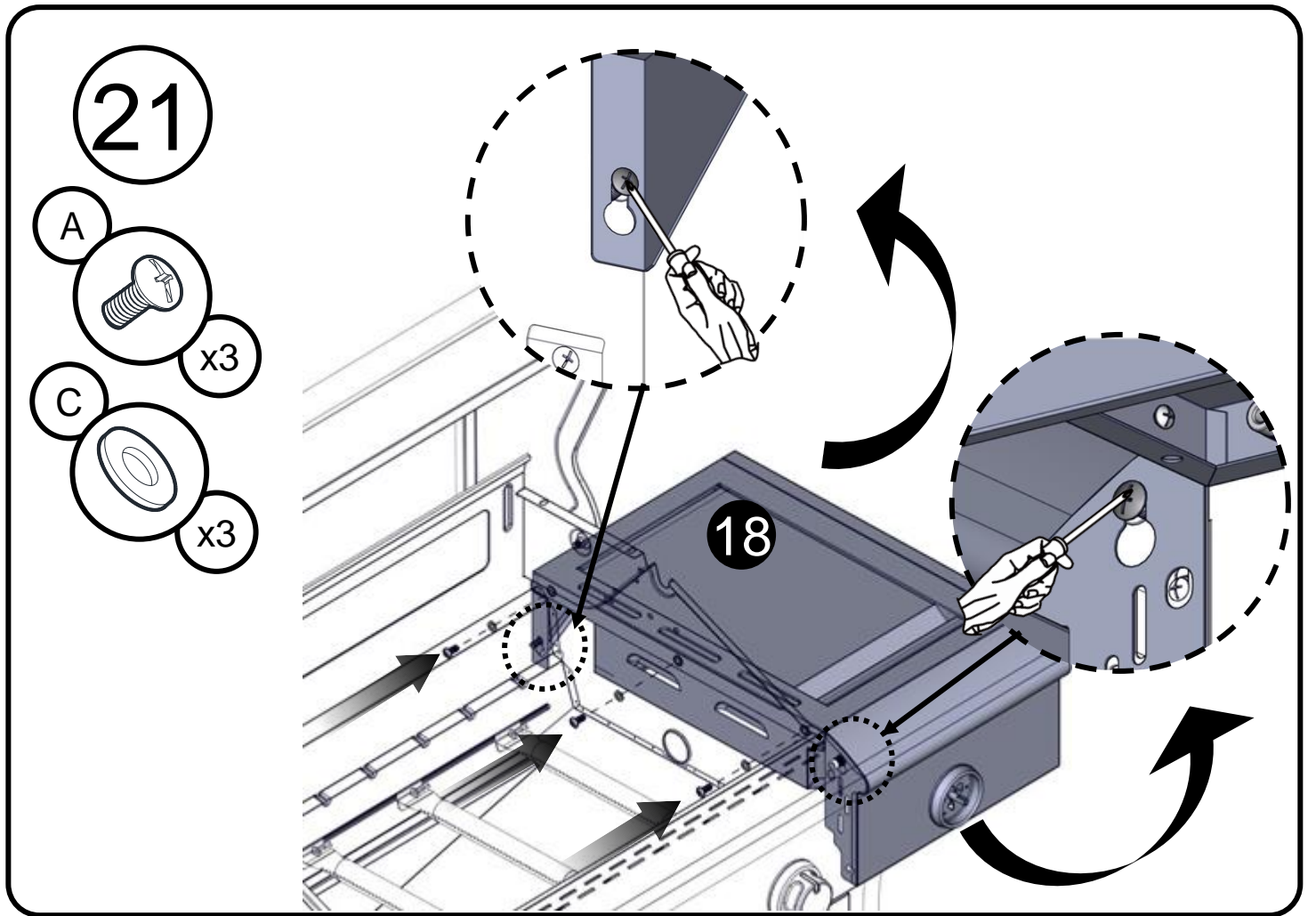
17



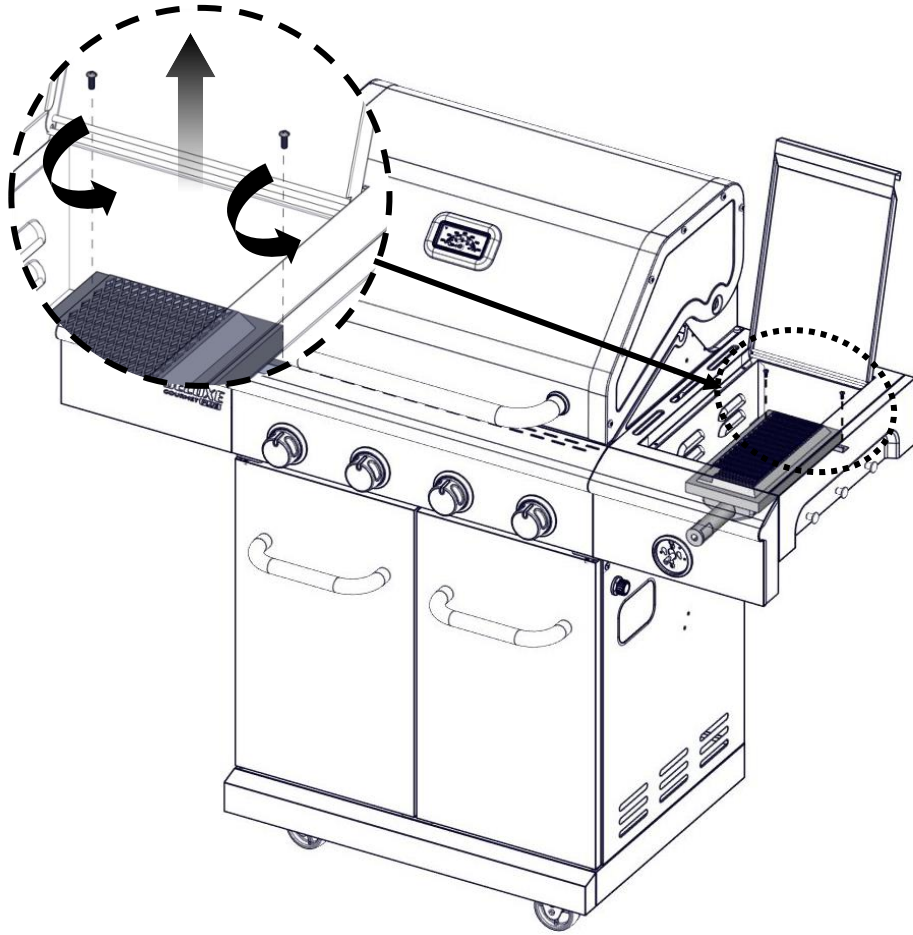
18



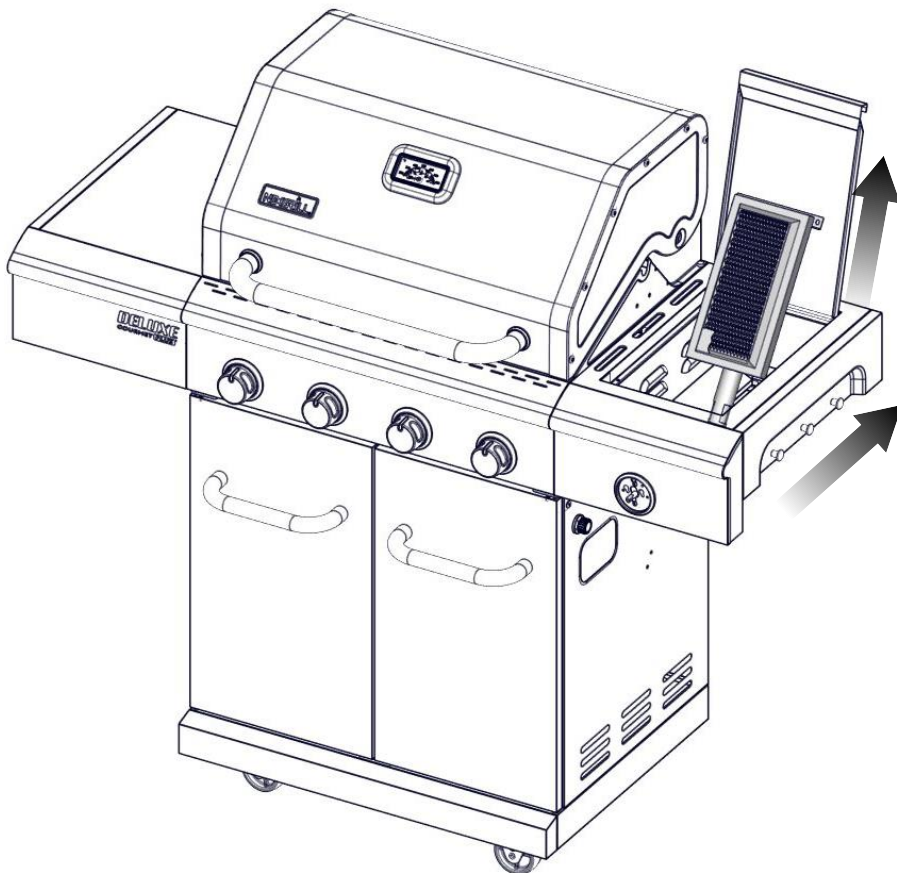




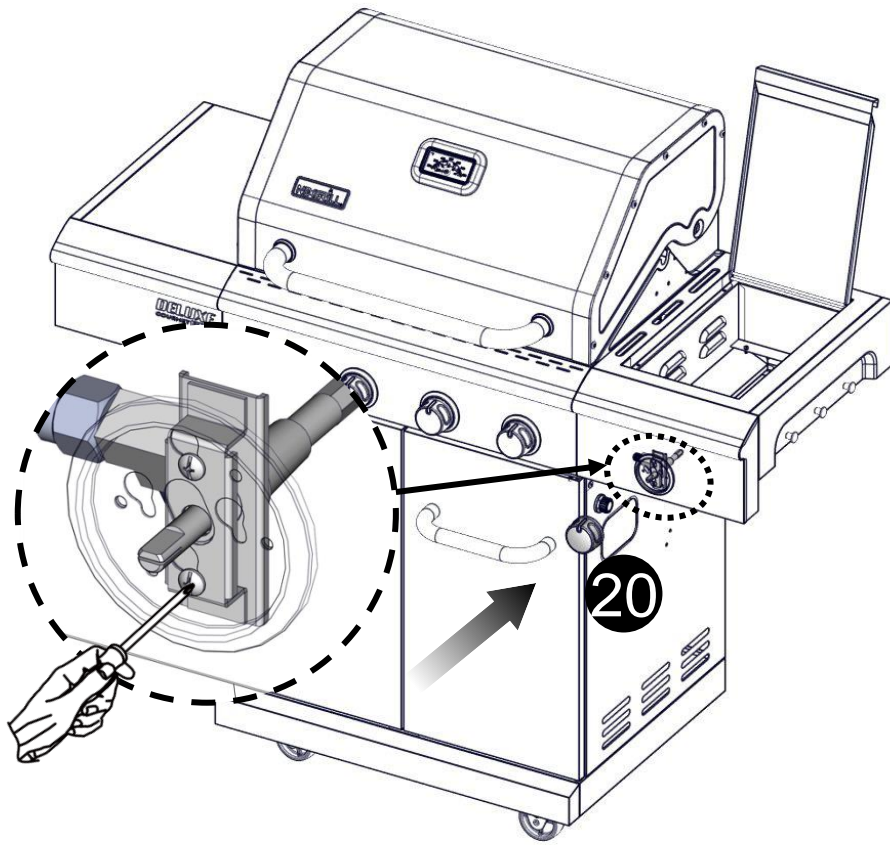
23



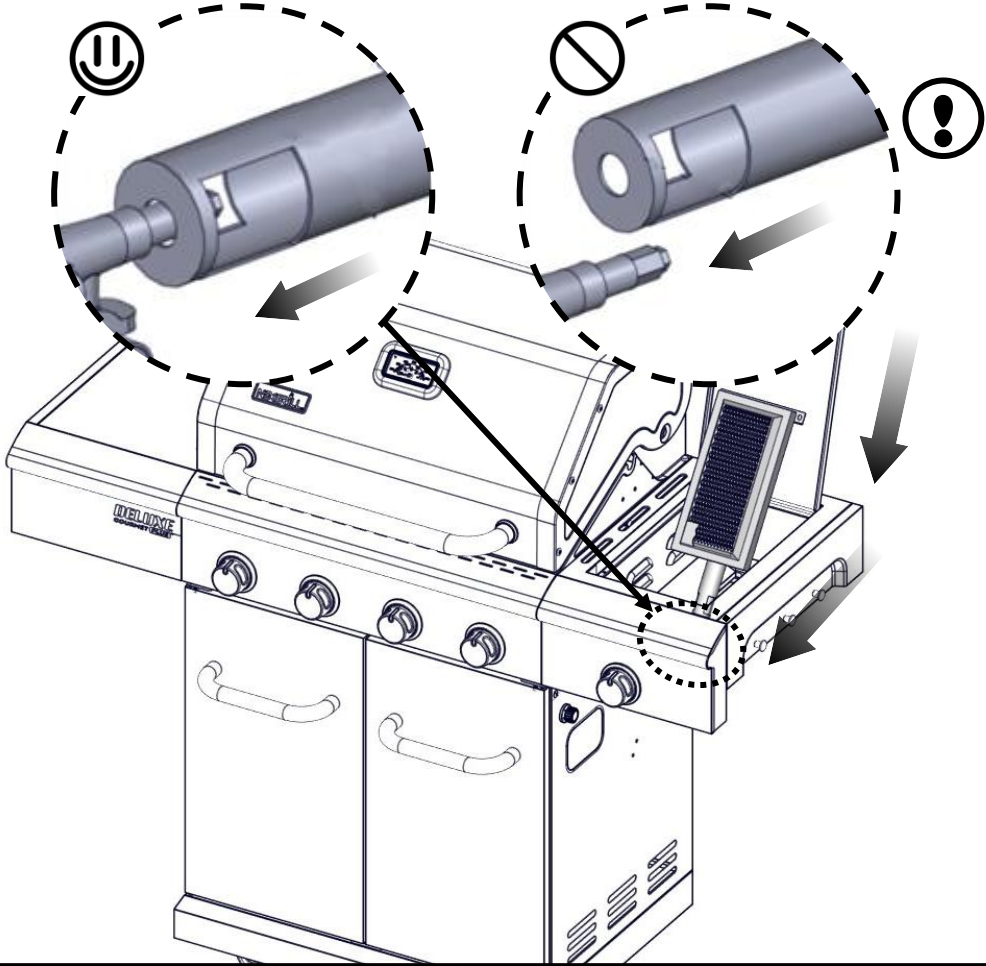
24



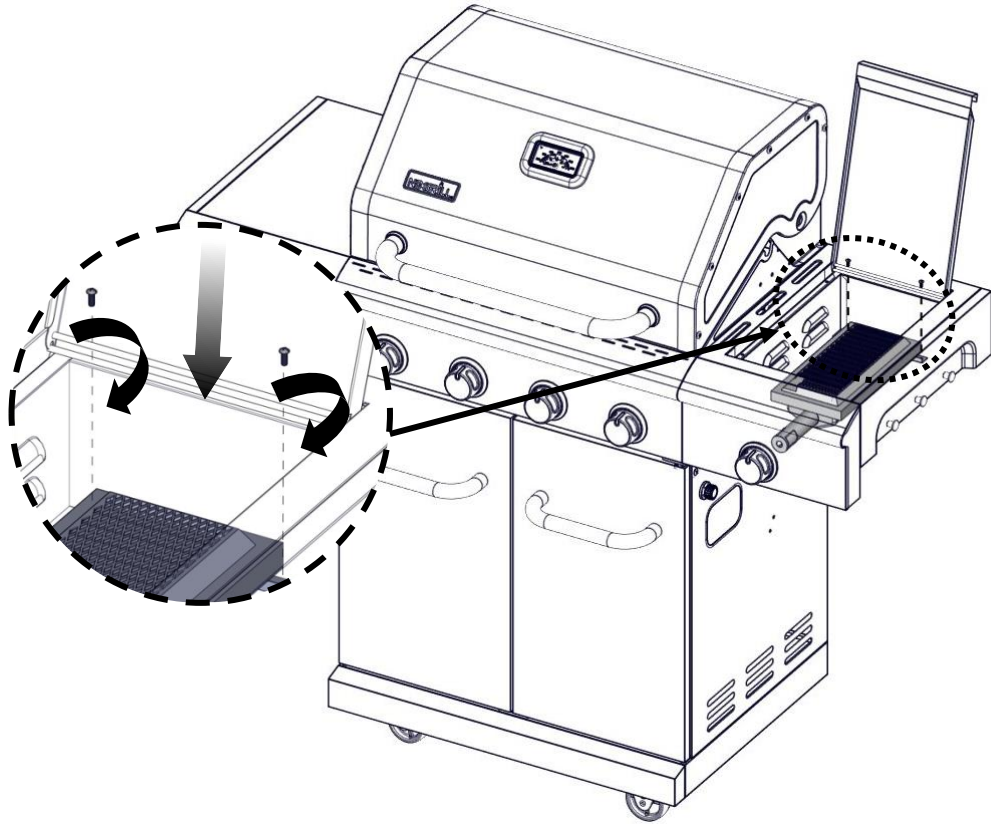
25



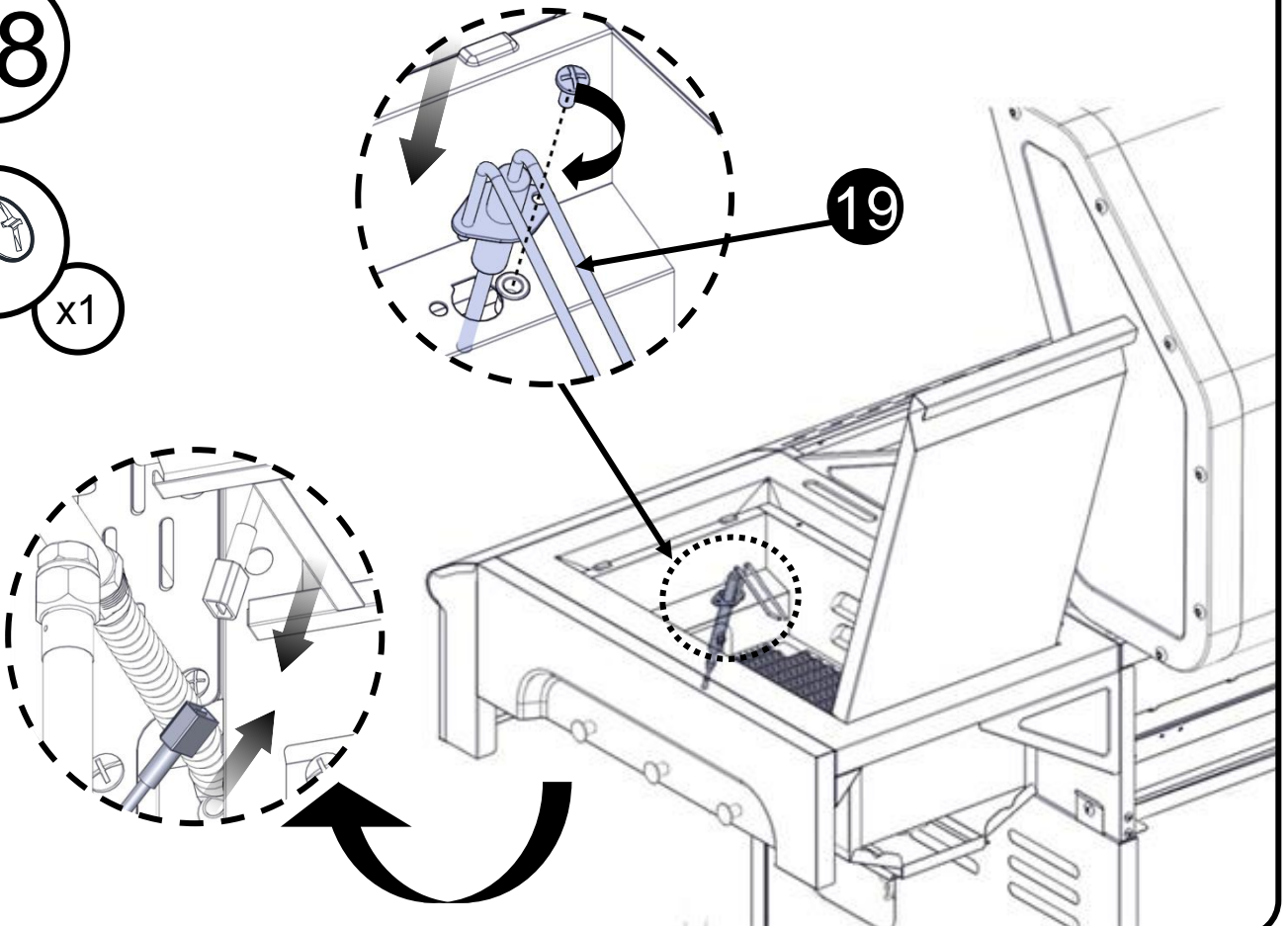
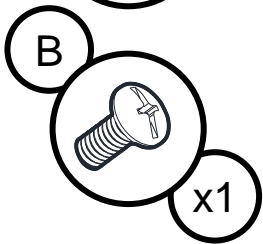
26 !



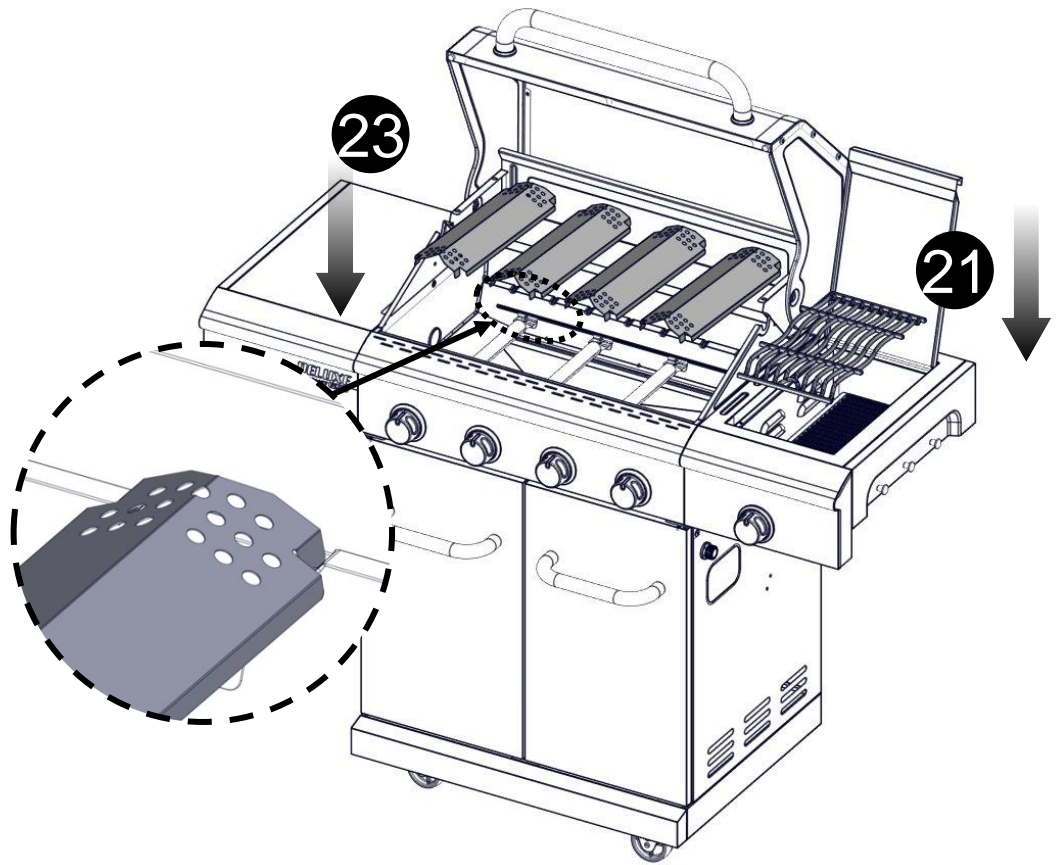
27



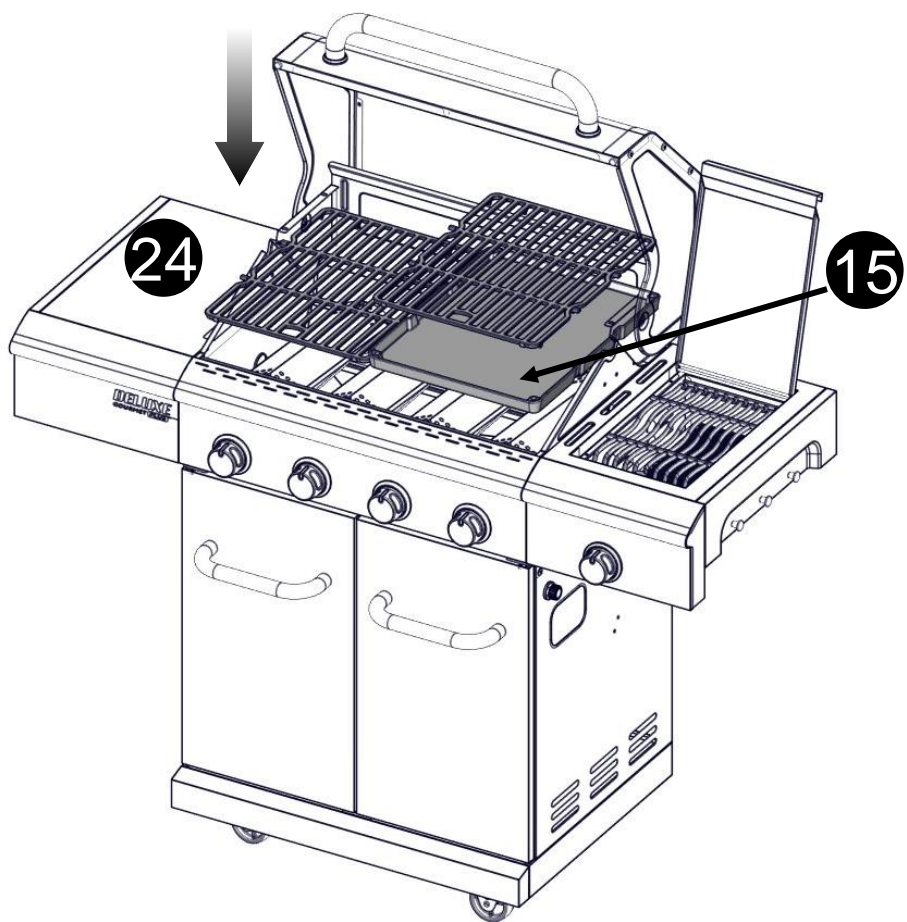
28



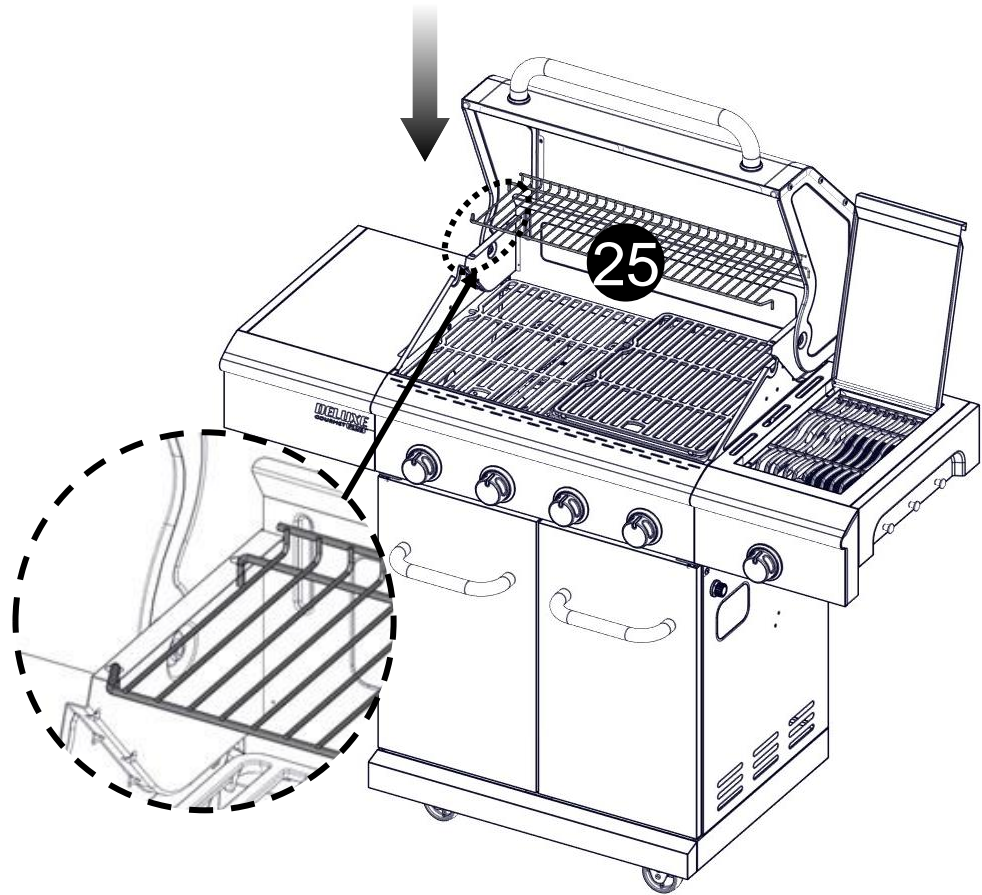
29



30



31



32

