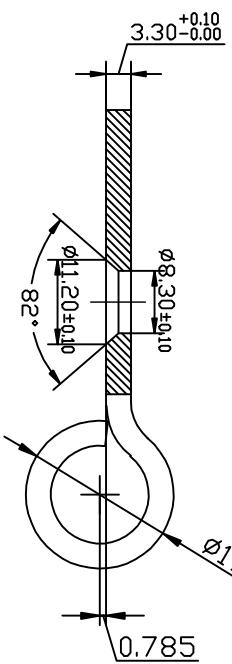
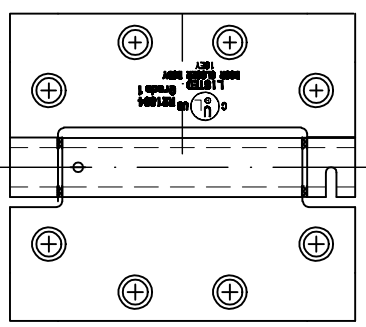
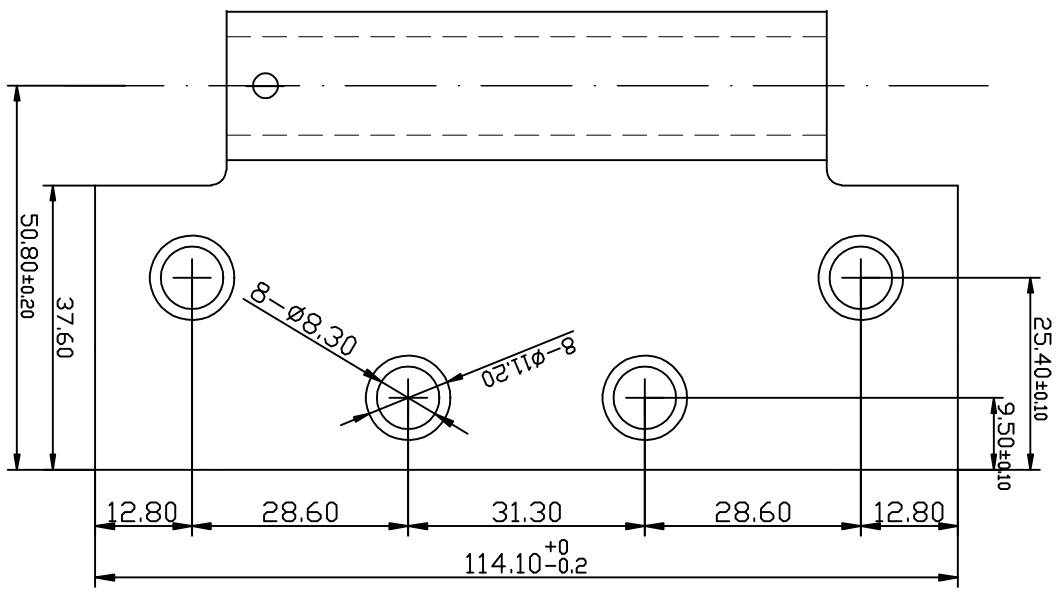
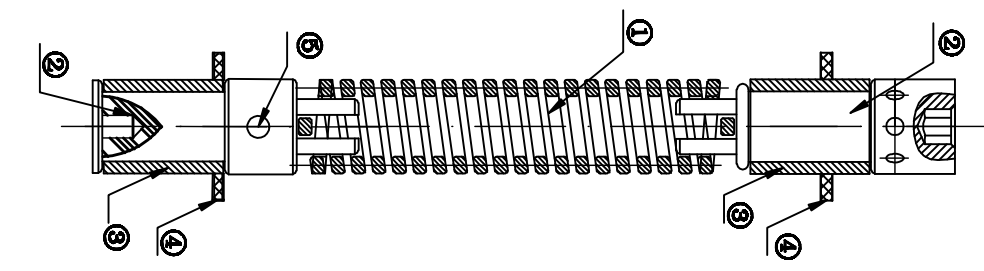
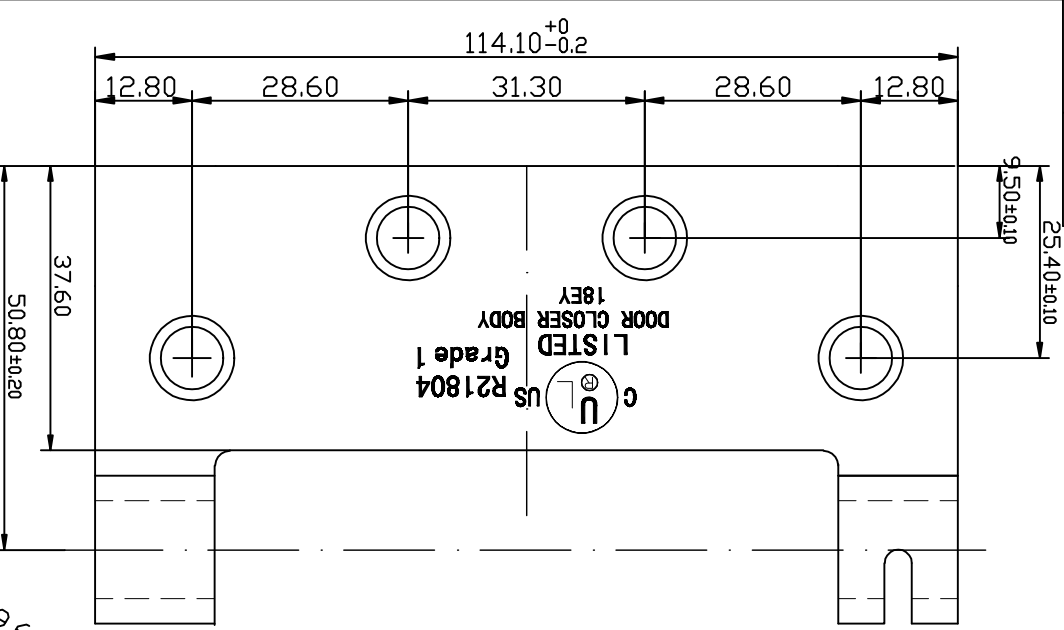


QAI drawing no
factory drawing no

8823

surface roughness
finish
heat treatment



①	SH4.5-01	4.5"X4.0X3.4mm spring hinge (5823)	scale	1 : 1	customer	
②	SH4.5-02		pieces		material	steel
③	SH4.5-03		design	2009.2.15		
④	SH4.5-04		check			
⑤	SH4.5-05		approval			
S/NO	drawing no		Shenzhen Jacou Industry Ltd			