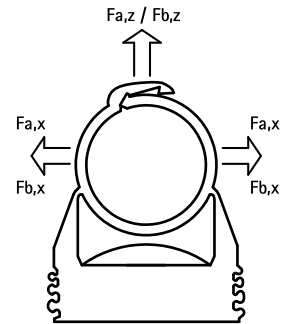
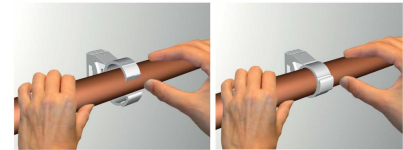


BIS starQuick® Clamp (Grey)

(C 05 05)

to fix pipes for electrical and mechanical installations to wall, floor or ceiling 10 - 65 mm



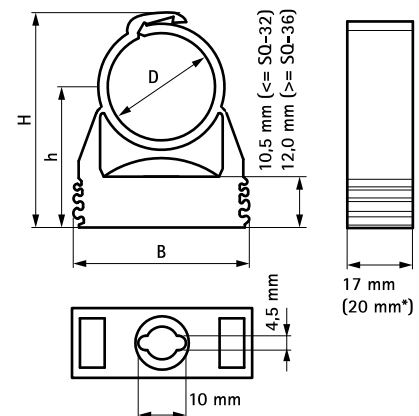
Features and benefits

- one-part clamp
- clamp closes by applying pressure to the pipe
- for outdoor use and installations in swimming pool environments, chemical factories, zinc factories, etc.
- due to a patented profile it is possible to tack several clamps to each other (up to 1 1/4" CP)
- material: modified PA6 (polyamide), grey
- resistant to UV, aging, oil and gasoline
- corrosion-free, recyclable, halogen free
- temperature resistance: -40 °F to +190 °F constant, +260 °F peak (Note: temperature must be above 15 °F during installation process)
- Plenum rated - tested to ASTM E-84

kiwa



| Part No. | D (mm) | IP (") | CT (") | Type | B (") | H (") | h (") | Fa,z (lbs) | Fb,z (lbs) | KIWA A | UL | UPC | Pack 1 | Pack 2 |
|-----------|-----------|-----------|-----------|-------|----------|----------|----------|---------------|---------------|-----------|----|-----|-----------|-----------|
| 085 4 010 | 10 - 12 | - | 1/4 | SQ-10 | 1.1 | 1.3 | 0.91 | 38 | 112 | - | UL | UPC | 100 | 1.200 |
| 085 4 012 | 12 - 14 | 1/4 | 3/8 | SQ-12 | 1.1 | 1.3 | 0.91 | 40 | 123 | KIWA | UL | UPC | 100 | 1.200 |
| 085 4 015 | 14 - 16 | - | 1/2 | SQ-15 | 1.1 | 1.4 | 0.94 | 45 | 134 | KIWA | UL | UPC | 100 | 1.200 |
| 085 4 018 | 16 - 20 | 3/8 | 5/8 | SQ-17 | 1.1 | 1.6 | 1.00 | 51 | 157 | KIWA | UL | UPC | 100 | 800 |
| 085 4 022 | 20 - 23 | 1/2 | 3/4 | SQ-20 | 1.1 | 1.7 | 1.10 | 60 | 179 | KIWA | UL | UPC | 50 | 600 |
| 085 4 028 | 24 - 28 | 3/4 | - | SQ-25 | 1.6 | 2.0 | 1.20 | 63 | 191 | KIWA | UL | UPC | 50 | 600 |
| 085 4 031 | 28 - 32 | - | 1 | SQ-28 | 1.6 | 2.1 | 1.30 | 67 | 202 | KIWA | UL | UPC | 50 | 400 |
| 085 4 035 | 32 - 35 | 1 | 1 1/4 | SQ-32 | 1.7 | 2.2 | 1.30 | 74 | 224 | KIWA | UL | UPC | 50 | 400 |
| 085 4 038 | 35 - 40 | - | - | SQ-36 | 1.9 | 2.6 | 1.60 | 83 | 247 | KIWA | UL | UPC | 25 | 300 |
| 085 4 042 | 40 - 44 | 1 1/4 | 1 1/2 | SQ-40 | 2.0 | 2.8 | 1.70 | 90 | 269 | KIWA | UL | UPC | 25 | 200 |
| 085 4 050 | 44 - 50 | - | - | SQ-47 | 2.2 | 3.0 | 1.80 | 96 | 292 | - | UL | UPC | 25 | 200 |
| 085 4 054 | 48 - 55 | 1 1/2 | 2 | SQ-51 | 2.5 | 3.2 | 1.90 | 105 | 314 | - | UL | UPC | 15 | 180 |
| 085 4 063 | 59 - 65 | 2 | - | SQ-59 | 2.9 | 3.7 | 2.20 | 112 | 337 | - | UL | UPC | 15 | 180 |



* BIS starQuick® Ø 59 - 65 mm

$F_{a,x} = F_{a,z} / F_{b,x} = F_{b,z}$
 Maximum allowed load at a temperature of +21 °C (+70 °F) and fixing with M6 BIS starQuick® nut + M6 steel treaded rod.
 The values are recommended values and based on our nowadays technical knowledge, experience and statements in the literature as well as testing under laboratory circumstances. They do not relieve the user of own testing of the end product due to the big number of parameter of influence in the mounting process and the application. A legal confirmed assurance of properties or the suitability for a specific application cannot be based on our specifications.

Complementary
 BIS starQuick® Duo Bracket
 BIS starQuick® Fixing Nut
 BIS GOLD