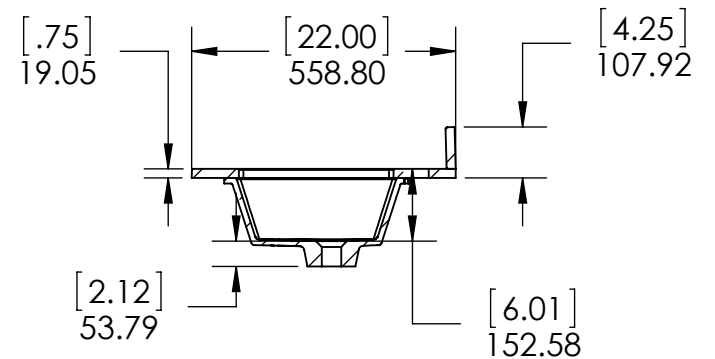
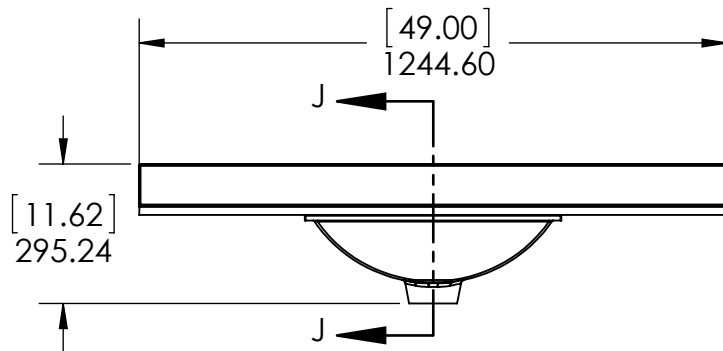
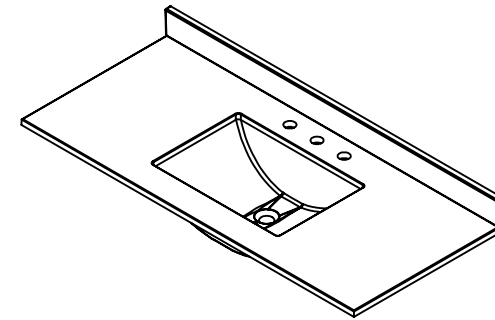
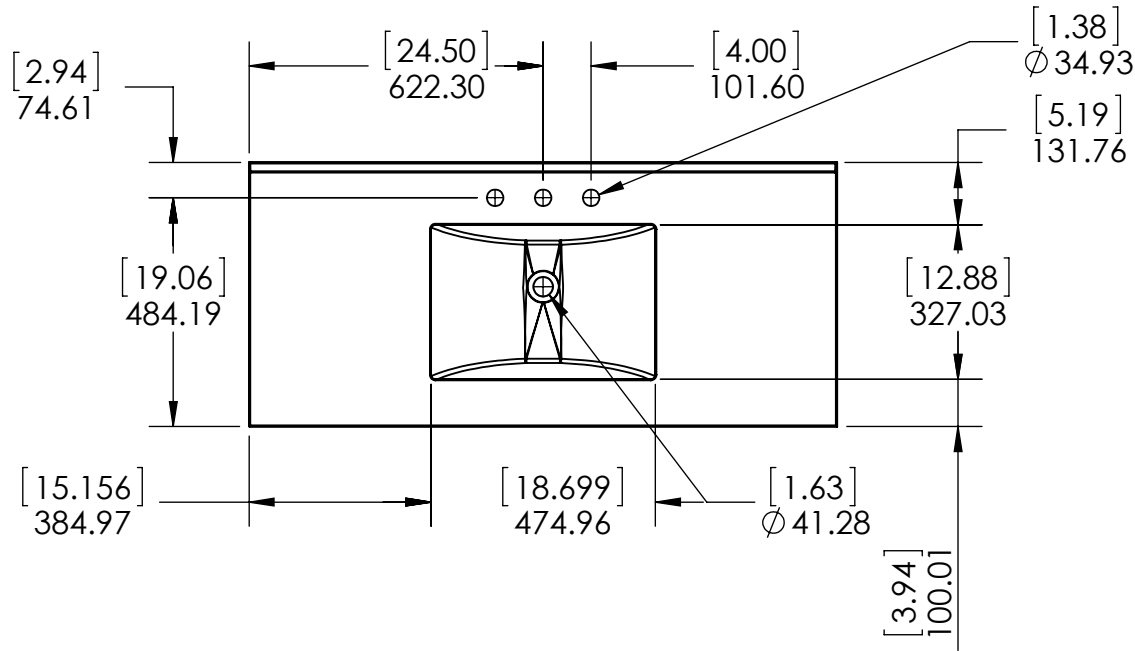


Rev #	Approved by	Change
0	R. Rubio	Released
1	O. Razo	New model added



**PROPRIETARY AND CONFIDENTIAL**  
 THE INFORMATION CONTAINED IN THIS DRAWING IS THE SOLE PROPERTY OF WOODCRAFTERS. ANY REPRODUCTION IN PART OR AS A WHOLE WITHOUT THE WRITTEN PERMISSION OF WOODCRAFTERS IS PROHIBITED.

UNLESS OTHERWISE SPECIFIED  
 DIMENSIONS ARE IN MM. AND [INCHES]  
 TOLERANCES ARE  
 +0.125 [3.175] -0.125 [-3.175]  
 SCALE:1:16

	NAME	DATE
DRAWN	R. Rubio	08/22/16
CHECKED	R. Rubio	08/22/16
ENG APPR.	R. Rubio	08/22/16
MFG APPR.	C. Leal	08/22/16

**Wood Crafters**

SIZE DWG. NO. **A** Vtop Stone Effect, Rect 49x22

SHEET 1 OF 2 REV. **1**

ID	Description	Technology	Status
SE4922-CA	Stone Effects 49x22in Capri VTop	Stone Effect	Approved for production
SER49-DN	Vtop SE Rect 49X22 Shark Tank Dot Com -Dune	Stone Effect	Approved for production
SERST49-WM	Vtop SE Rect 49X22 Shark Tank - Winter Mist	Stone Effect	Approved for production
SE49R-PR	Vtop SE Rect 49X22 Shark Tank - Pulsar	Stone Effect	Approved for production

Rev #	Approved by	Change
0	R. Rubio	Released
1	O. Razo	New model added

**PROPRIETARY AND CONFIDENTIAL**  
 THE INFORMATION CONTAINED IN THIS DRAWING IS THE SOLE PROPERTY OF WOODCRAFTERS. ANY REPRODUCTION IN PART OR AS A WHOLE WITHOUT THE WRITTEN PERMISSION OF WOODCRAFTERS IS PROHIBITED.

UNLESS OTHERWISE SPECIFIED  
 DIMENSIONS ARE IN MM. AND [INCHES]  
 TOLERANCES ARE  
 + 0.125 [3.175] - 0.125 [-3.175]  
 SCALE:1:16

	NAME	DATE
DRAWN	R. Rubio	08/22/16
CHECKED	R. Rubio	08/22/16
ENG APPR.	R. Rubio	08/22/16
MFG APPR.	C. Leal	08/22/16

		SHEET 2 OF 2
SIZE	DWG. NO.	REV.
A	Vtop Stone Effect, Rect 49x22	1