
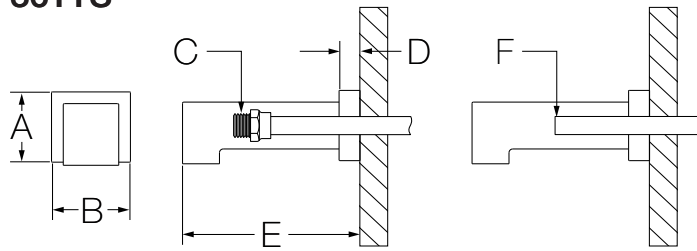


361TS, 361DTS
Tub Spout Series
Operation & Maintenance Manual

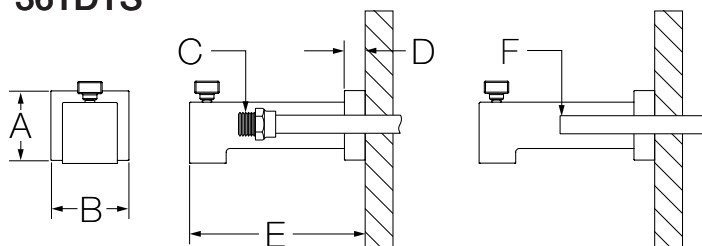
<p>Model Numbers</p> <p><input type="checkbox"/> 361TS <i>Non-Diverter Tub Spout</i></p> <p><input type="checkbox"/> 361DTS <i>Diverter Tub Spout</i></p> <p><input type="checkbox"/> 361TS-SS <i>Non-Diverter Slip Spout</i></p> <p><input type="checkbox"/> 361DTS-SS <i>Diverter Slip Spout</i></p>	<p>Specification</p> <ul style="list-style-type: none"> • 5-5/8" length • Pull-up diverter (361DTS) • Thread on installation • Optional slip spout with 1/2" inlet • Metal construction plated in standard polished chrome finish
<p>Options/Modifications</p> <p><input type="checkbox"/> -BBZ <i>Brushed Bronze finish</i></p> <p><input type="checkbox"/> -MB <i>Matte Black finish</i></p> <p><input type="checkbox"/> -STN <i>Satin Nickel finish</i></p> <p>Note: Append appropriate -suffix to model number.</p>	<p>Compliance</p> <p>-ASME A112.18.1/CSA B125.1</p> 
<p>Warranty</p> <p>Limited Lifetime - to the original end purchaser in consumer/residential installations. 5 Years - for industrial/commercial installations. Refer to www.symmons.com/warranty for complete warranty information.</p>	<p>⚠ WARNING: This product can expose you to chemicals including lead, which is known to the state of California to cause cancer, birth defects, or other reproductive harm. For more information, go to www.P65Warnings.ca.gov.</p>

Dimensions

361TS



361DTS



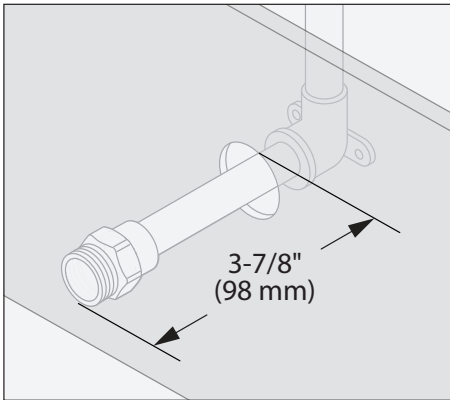
Measurements	
A	2-1/4", 57 mm
B	2-1/2", 64 mm
C	Male 1/2-14 NPT fitting must protrude 3-7/8" (98 mm) from finished wall
D	5/8", 16 mm
E	5-5/8", 143 mm
F	1/2" rigid copper tubing must protrude Min. 1-3/4" (44 mm) Max. 2-3/4" (70 mm) from finished wall

Note: Dimensions subject to change without notice.

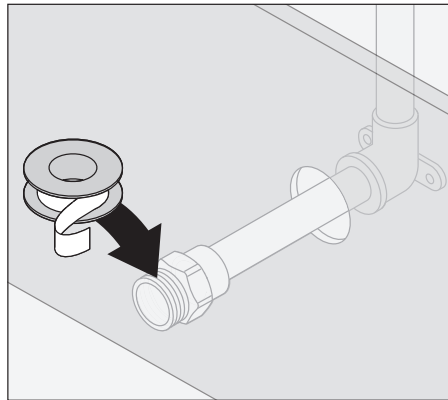
Installation (Thread On)

Tools Required for Installation

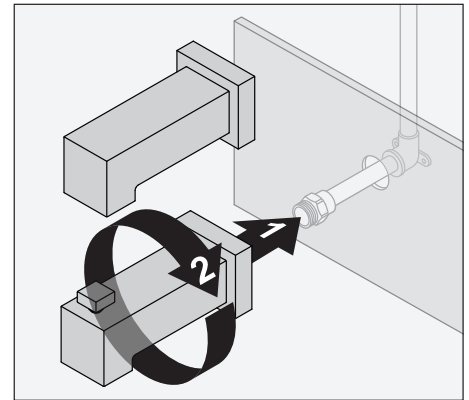
Plumber Tape



1) Male 1/2-14 NPT fitting must protrude 3-7/8" (98 mm) from finished wall



2) Apply plumber tape to threads on fitting.



3) Thread tub spout (361TS or 361DTS) onto fitting.

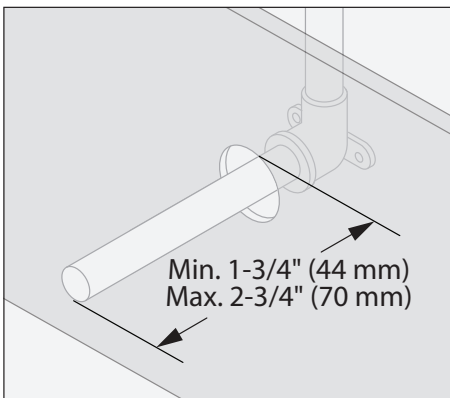
Installation (Slip Spout)

Tools Required for Installation

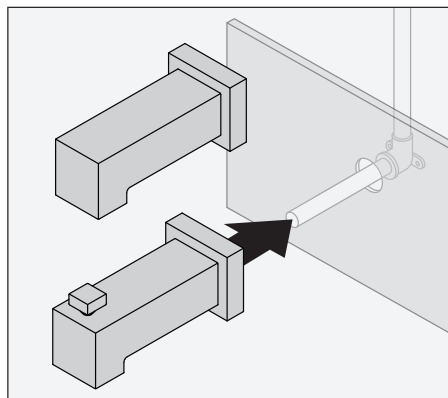
Allen Wrench:
5/32"



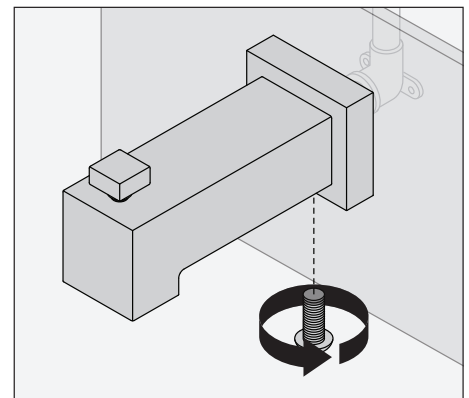
Caution: Ensure seal is not damaged by making sure outside of 1/2" diameter rigid copper tubing is free of burrs and sharp edges prior to installing tub spout.



1) Rigid copper tubing must protrude 1-3/4" (44 mm) - 2-3/4" (70 mm) from finished wall.



2) Attach tub spout (361TS or 361DTS) to rigid copper tubing.



3) Install set screw to secure tub spout to rigid copper tubing.

Troubleshooting Chart

Problem	Cause	Solution
Finish is spotting.	Elements in water supply may cause water staining on finish.	Clean finished trim area with a soft cloth using mild soap and water or a non-abrasive cleaner and then quickly rinse with water.