

# ASSEMBLY INSTRUCTIONS

ITEM CODE: WF292703 / WF292704





## SAFETY WARNING



1. This bed is designed for use only mattress (es) meeting the following specifications on the upper bunk, and lower bunk:

### Upper bunk (bunk bed and tribed included)

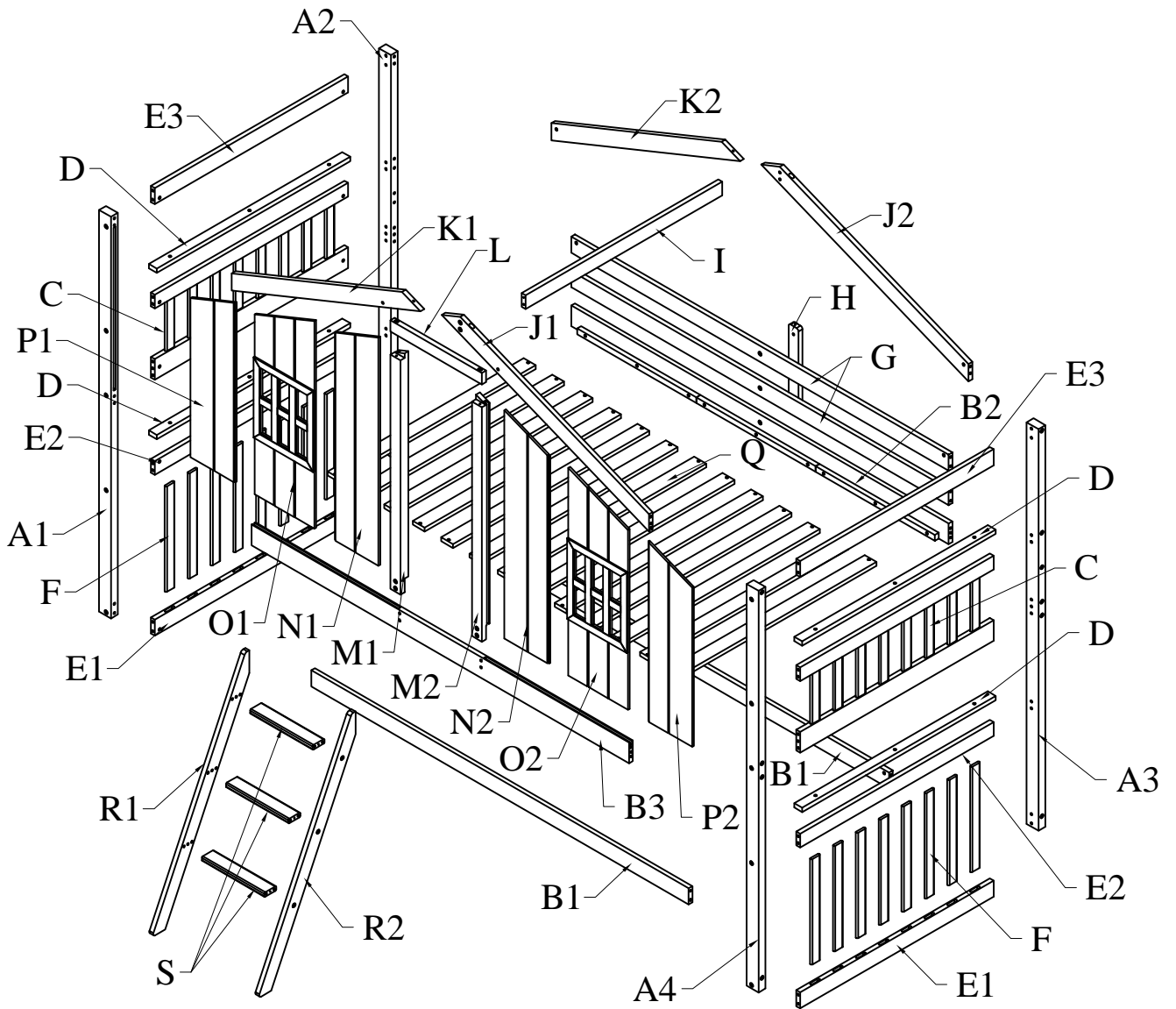
Bed type	Length	With	Thickness
Twin Standard	74" – 75"	37 ½" - 38 ½"	6" max

### Lower bunk

Bed type	Length	With	Thickness
Twin Standard	74" – 75"	37 ½" - 38 ½"	8"

2. Replacement parts, including additional guardrails, maybe obtained from any of our (GIGACLOUD TECHNOLOGY (USA) INC. 18961 ARENTH AVENUE CITY OF INDUSTRY, CA, 91748) dealers.
3. Follow the information on the warnings appearing on the upper bunk bed end structure and on the carton. Do not remove warning label from bed.
4. Always use the recommended size mattresses or mattress supports, or both, to help prevent the likelihood of entrapment or falls.
5. Surface of mattress must be at least 5" (127mm) below the upper edge of guardrails.
6. Do not allow children under 6 years of age to use the upper bunk.
7. Periodically check and ensure that the guardrail, ladder, and other components are in their proper position, free from damage, and that all connectors are tight.
8. Do not allow horseplay on or under the bed and prohibit jumping on the bed.
9. Always use the ladder for entering and leaving the upper bunk.
10. Do not use substitute part. Contact the manufacture or dealer for replacement part.
11. Use of a night light may provide added safety precaution for a child using the upper bunk.
12. Always use guardrails on both long sides of the upper bunk. If the bunk bed will be placed next to the wall, the guardrail that runs the full length of the bed should be placed against the wall to prevent entrapment between the bed and wall.
13. The use of water or sleep flotation mattresses is prohibited.
14. STRANGULATION HAZARD - Never attach or hang items to any part of the bunk bed that are not designed for use with the bed; for example, but not limited to, hook, belts and jump ropes.
15. Keep these instruction for future reference.
16. Prohibit more than one person on upper bunk.
17. We recommend assembling your bunk bed on the shipping carton to protect your floor or carpet.
18. Be certain all staples are out of the box before beginning assembly on the shipping carton.

# DETAIL VIEW



# BOX 1: WF292703

A1



Front leg - left (1pc)

A2



Back leg - left (1pc)

A3



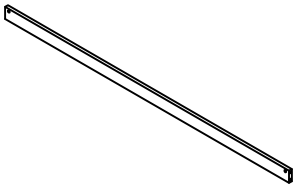
Back leg - right (1pc)

A4



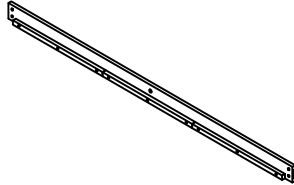
Front leg - right (1pc)

B1



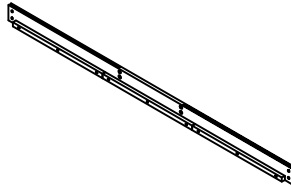
Lower side rails (2pcs)

B2



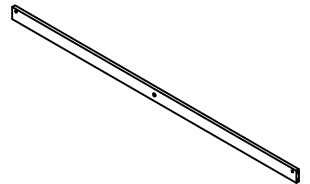
Upper side rails - back (1pc)

B3



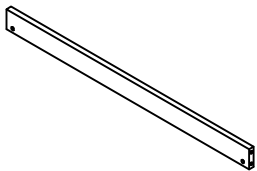
Upper side rails - front (1pc)

G



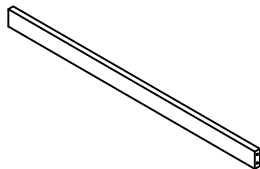
Guardrail (2pcs)

E3



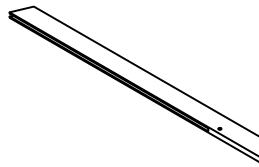
Top rail (2pcs)

I



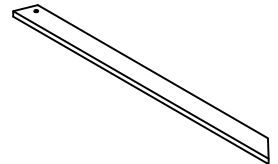
Roof vertical bar (1pc)

K1



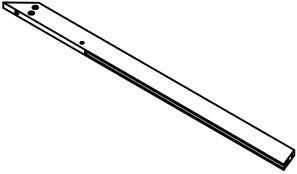
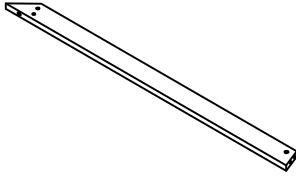
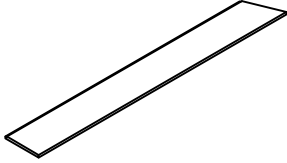
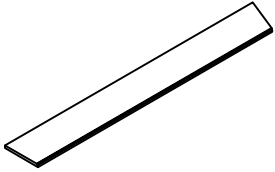
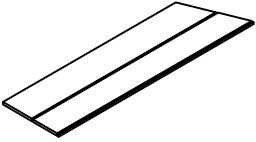
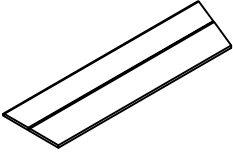
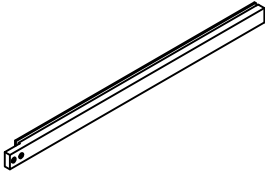
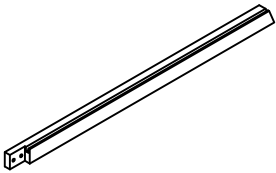
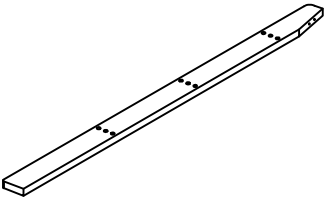
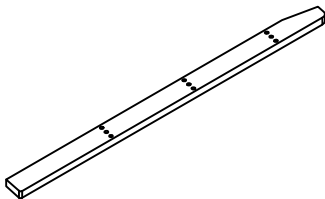
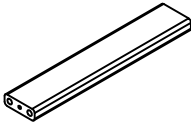
Roof slant left - front (1pc)

K2

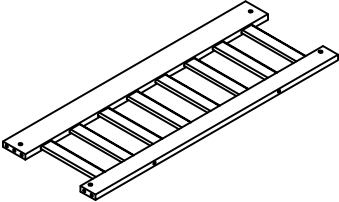
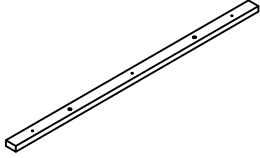
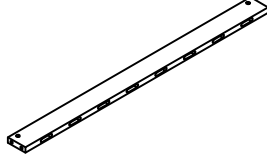
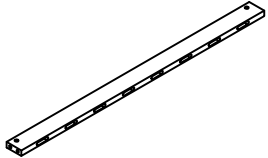
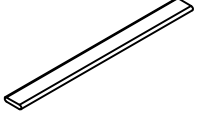
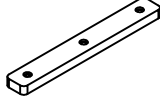
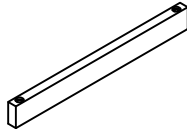
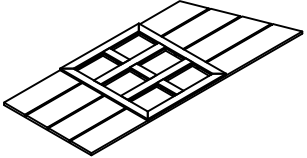
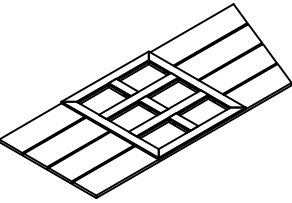
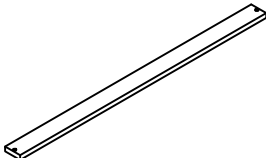


Roof slant left - back (1pc)

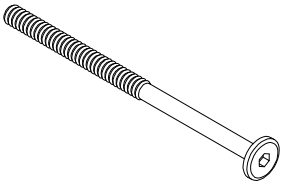
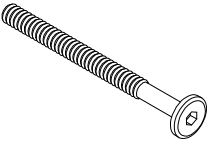
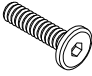

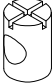
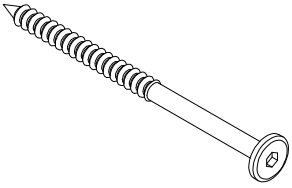
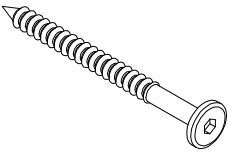

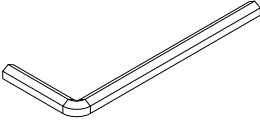
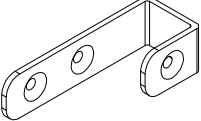
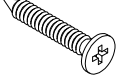
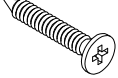

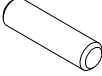
# BOX 1: WF292703

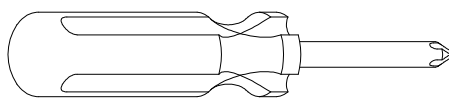
<p>J1</p>  <p>Roof slant right - front (1pc)</p>	<p>J2</p>  <p>Roof slant right - back (1pc)</p>	<p>N1</p>  <p>Front panel 1 - left (1pc)</p>	<p>N2</p>  <p>Front panel 1 - right (1pc)</p>
<p>P1</p>  <p>Front panel 3 - left (1pc)</p>	<p>P2</p>  <p>Front panel 3 - right (1pc)</p>	<p>M1</p>  <p>Vertical door bar - left (1pc)</p>	<p>M2</p>  <p>Vertical door bar - right (1pc)</p>
<p>R1</p>  <p>Stairs vertical - left (1pc)</p>	<p>R2</p>  <p>Stairs vertical - right (1pc)</p>	<p>S</p>  <p>Stairs support bar (3pcs)</p>	

# BOX 2: WF292704

<p>C</p>  <p>Upper frame (2pcs)</p>	<p>D</p>  <p>Cap for top side frame (4pcs)</p>	<p>E1</p>  <p>Bottom Horizontal rail (2pcs)</p>	<p>E2</p>  <p>Middle Horizontal rail (2pcs)</p>
<p>F</p>  <p>Vertical side rail (16pcs)</p>	<p>H</p>  <p>Vertical guardrail (1pc)</p>	<p>L</p>  <p>Vertical door bar (1pc)</p>	<p>O1</p>  <p>Front panel 2 - left (1pc)</p>
<p>O2</p>  <p>Front panel 2 - right (1pc)</p>	<p>Q</p>  <p>Slats (13pcs)</p>		

# HARDWARE LIST: WF292703

<p>1</p>  <p>Hex - Head bolts Ø1/4" * 100 - 20pcs</p>	<p>2</p>  <p>Hex - Head bolts Ø1/4" * 70 - 10pcs</p>	<p>3</p>  <p>Hex - Head bolts Ø1/4" * 25 - 9pcs</p>	<p>4</p>  <p>Canopy head though Ø1/4" - 7pcs</p>
<p>5</p>  <p>Horizontal - Hold bolts Ø1/4" - 30pcs</p>	<p>6</p>  <p>Hexagonal bolts catch wood Ø6 * 100 - 2pcs</p>	<p>7</p>  <p>Hexagonal bolts catch wood Ø6 * 80 - 2pcs</p>	<p>8</p>  <p>Hexagonal bolts catch wood Ø6 * 50 - 10pcs</p>
<p>9</p>  <p>Allen key K4 - 2pcs</p>	<p>10</p>  <p>Patt U (2pcs)</p>	<p>11</p>  <p>Wood crews M4 * 30 - 12pcs</p>	<p>12</p>  <p>Wood crews M4 * 25 - 30pcs</p>
<p>13</p>  <p>Wood crews M4 * 15 - 2pcs</p>	<p>14</p>  <p>Wood dowel Ø8 * 30 - 60pcs</p>		



**Assembly Tools Required (Not Included)**

# STEP 1

12

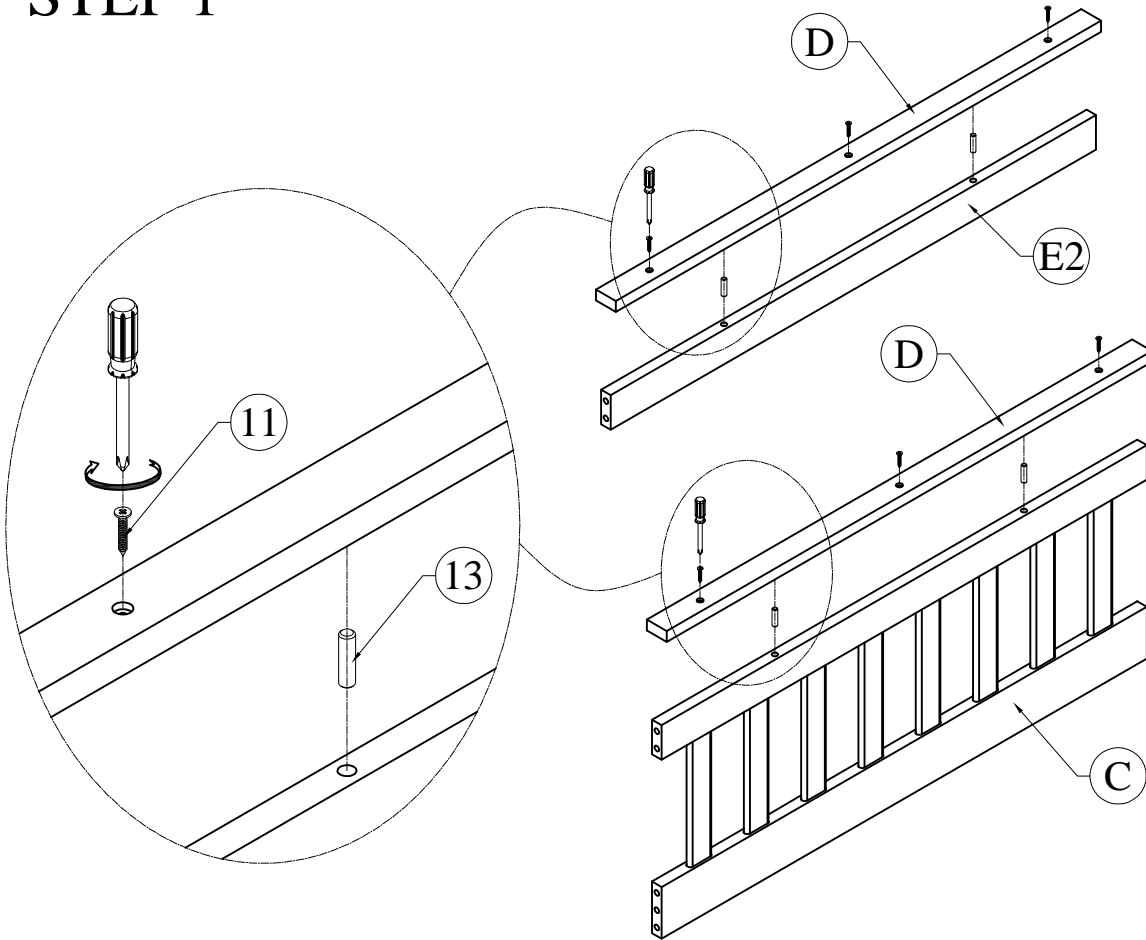


Wood crews  
M4 \* 30 - 12pcs

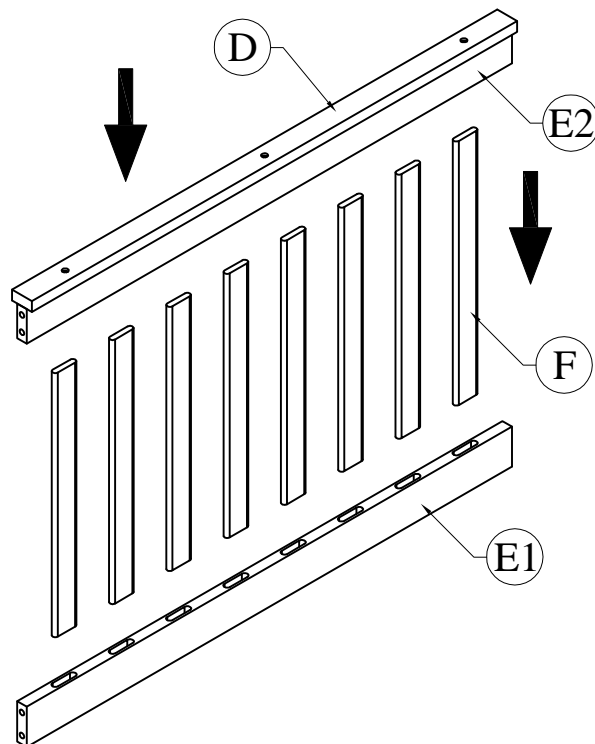
14



Wood dowel  
Ø8 \* 30 - 8pcs

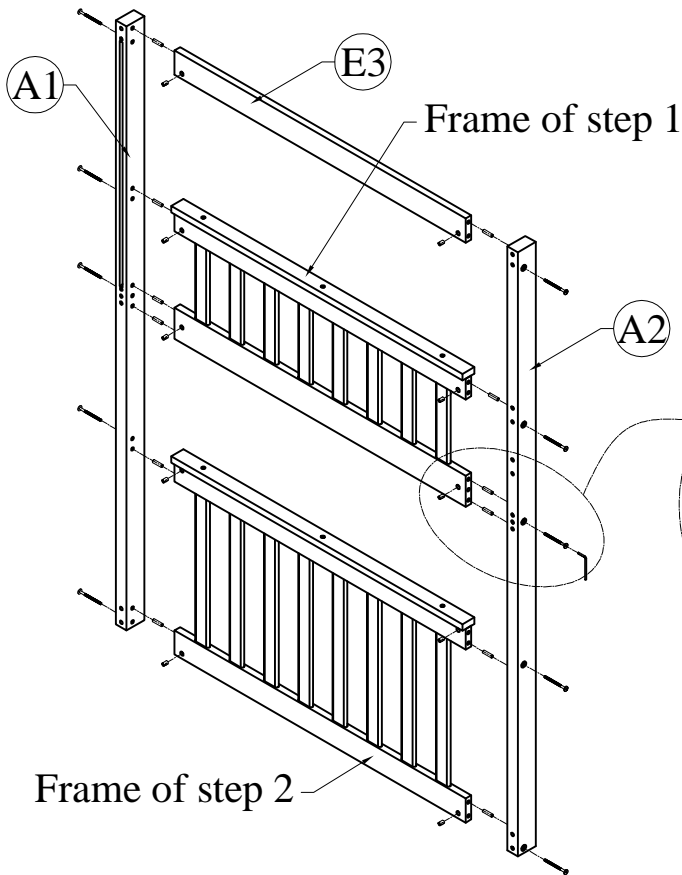


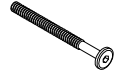

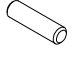
# STEP 2

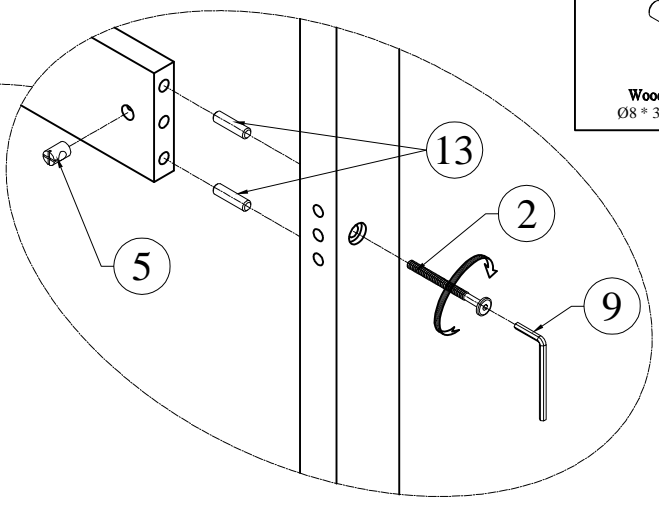




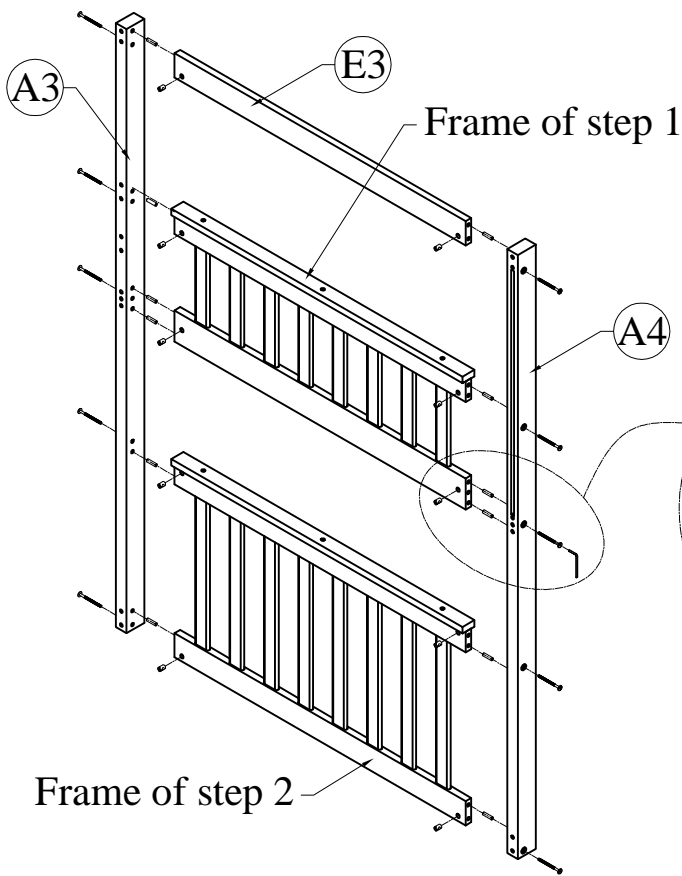
# STEP 3



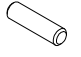


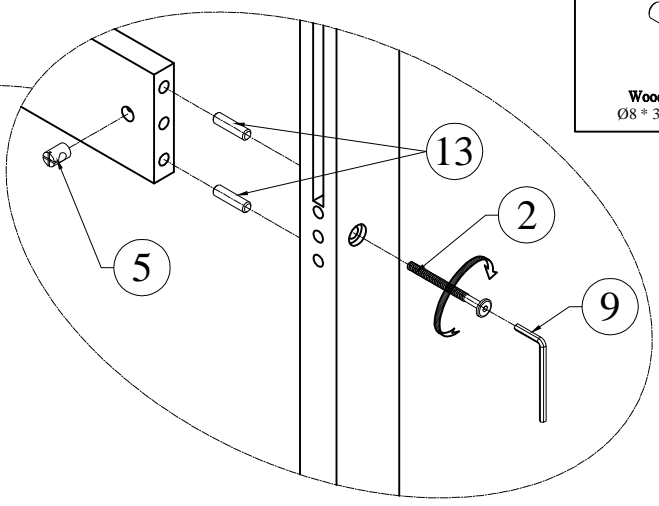
- 2   
Hex - Head bolts  
Ø1/4" \* 70- 10pcs
- 5   
Horizontal - Hold bolts  
Ø1/4" - 10pcs
- 14   
Wood dowel  
Ø8 \* 30 - 12pcs



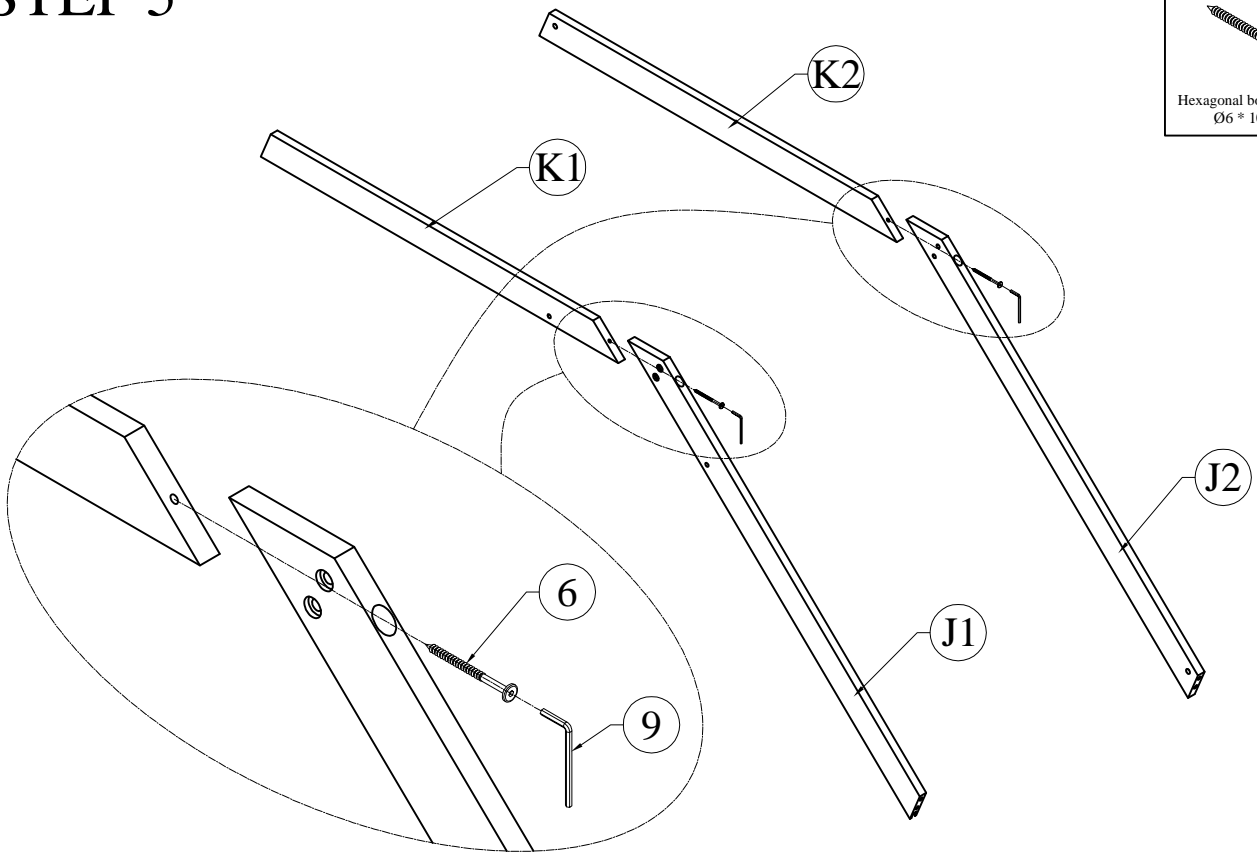
# STEP 4



- 2   
Hex - Head bolts  
Ø1/4" \* 70- 10pcs
- 5   
Horizontal - Hold bolts  
Ø1/4" - 10pcs
- 14   
Wood dowel  
Ø8 \* 30 - 12pcs



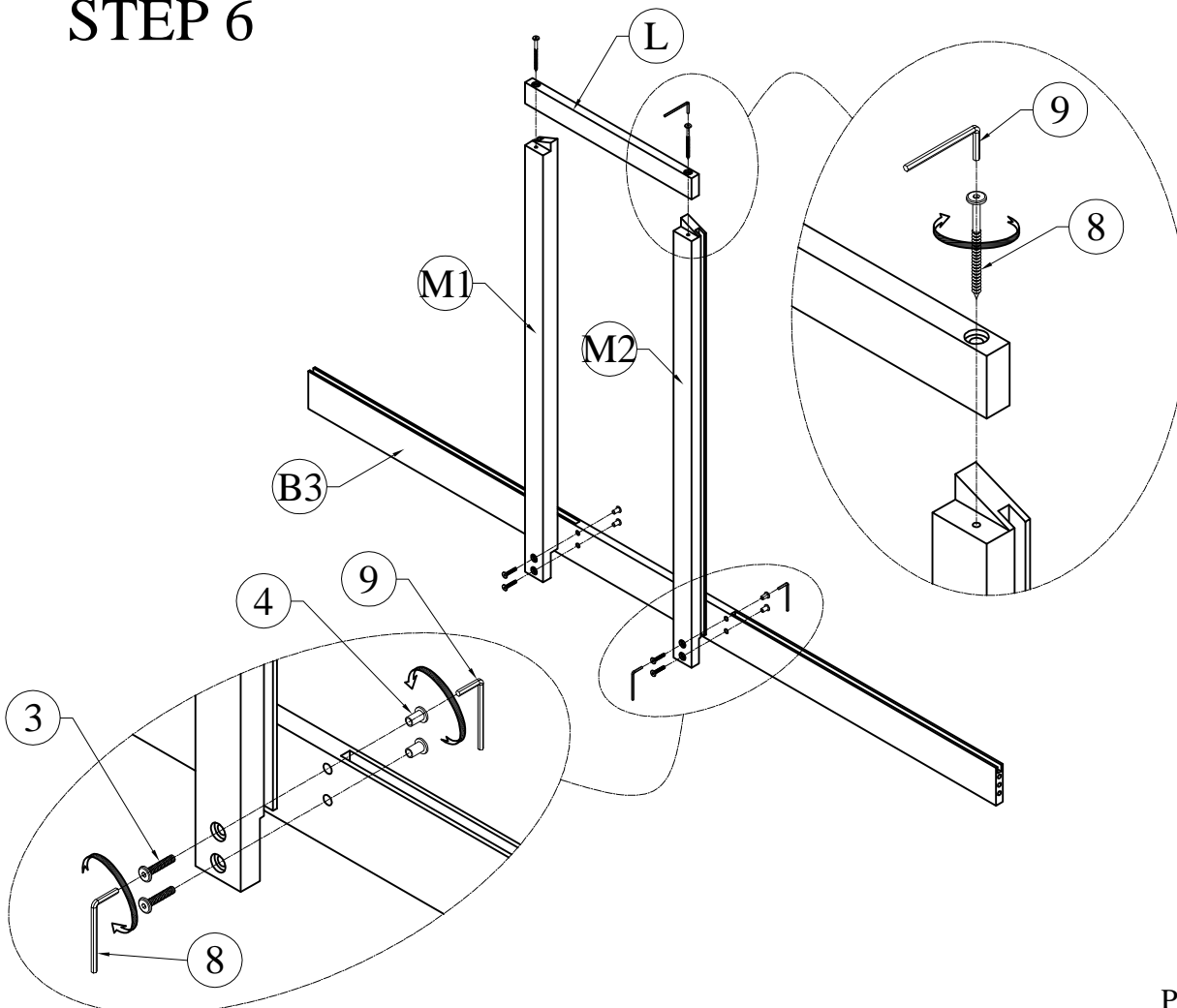
# STEP 5



6

Hexagonal bolts catch wood  
Ø6 \* 100 - 2pcs

# STEP 6



3



Hex - Head bolts  
Ø1/4" \* 25 - 4pcs

4



Canopy head tough  
Ø1/4" - 4pcs

8



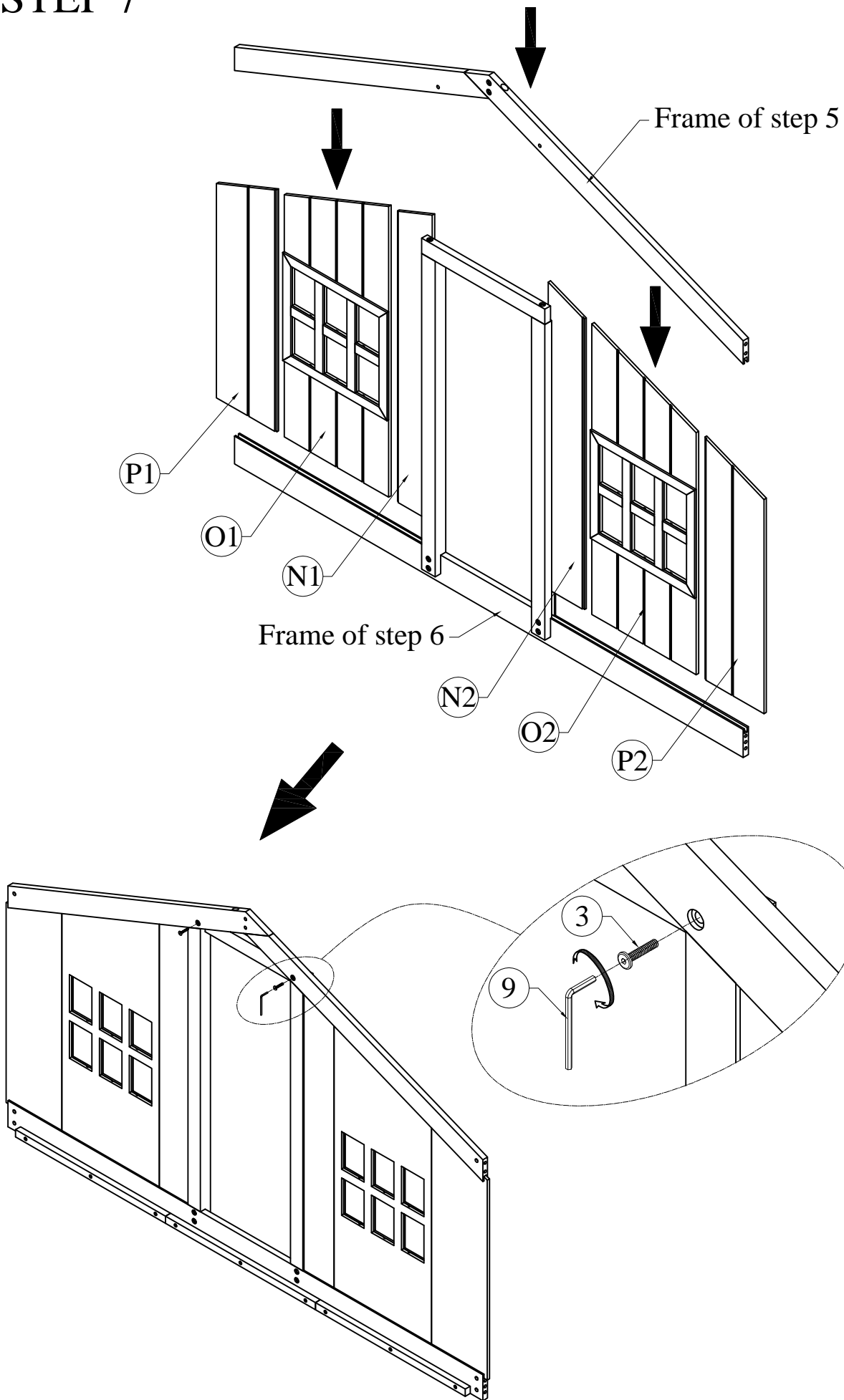
Hexagonal bolts catch wood  
Ø6 \* 70 - 2pcs

# STEP 7

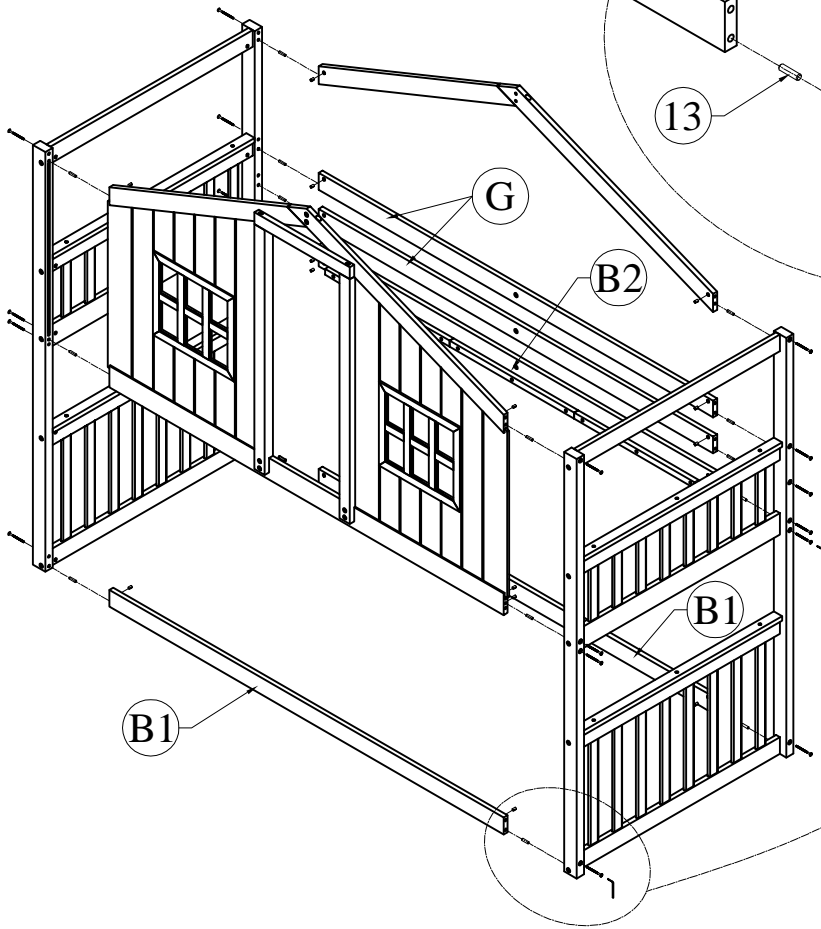
3



Hex - Head bolts  
Ø1/4" \* 25 - 2pcs



# STEP 8

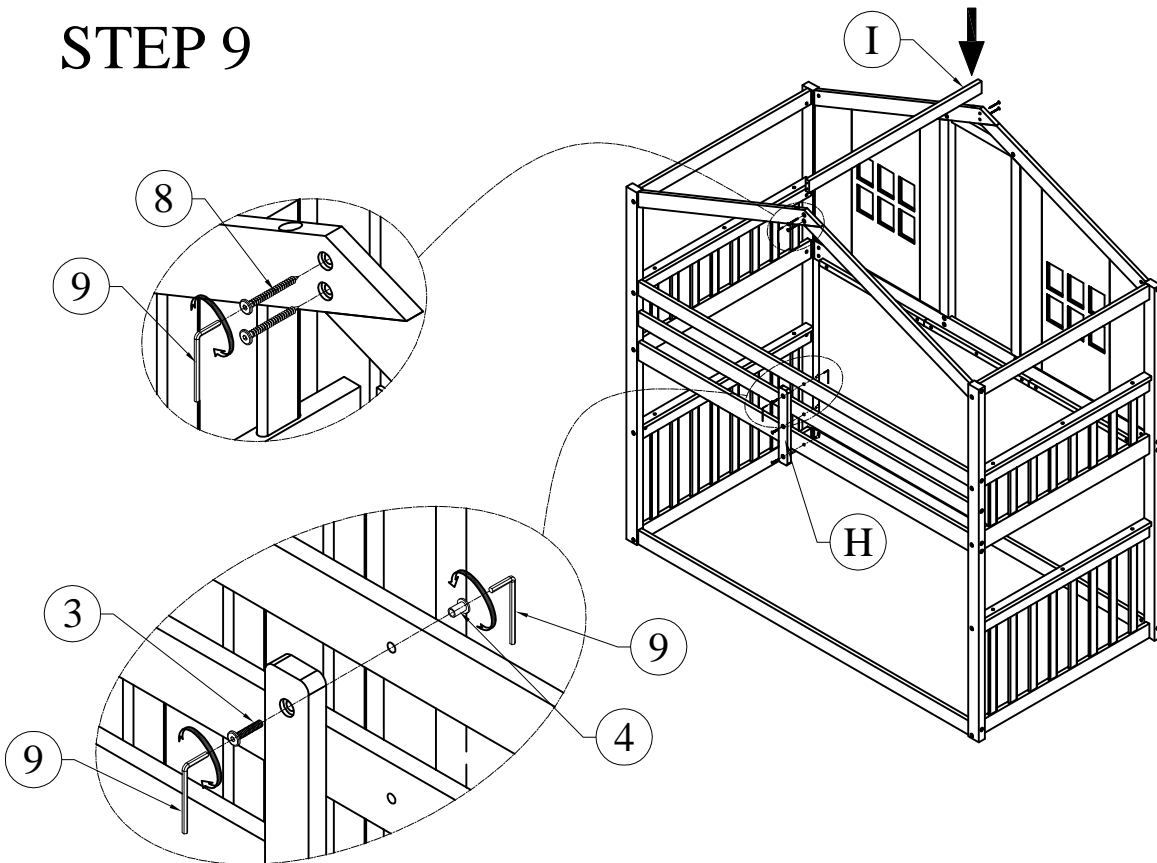


1  
Hex - Head bolts  
Ø1/4" \* 100 - 20pcs

5  
Horizontal - Hold bolts  
Ø1/4" - 20pcs

14  
Wood dowel  
Ø8 \* 30 - 16pcs

# STEP 9



3  
Hex - Head bolts  
Ø1/4" \* 25 - 3pcs

4  
Canopy head though  
Ø1/4" - 3pcs

8  
Hexagonal bolts catch wood  
Ø6 \* 50 - 4pcs

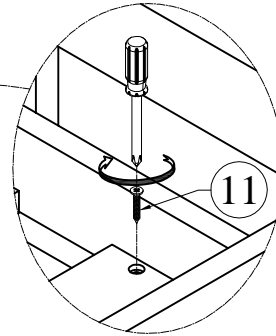
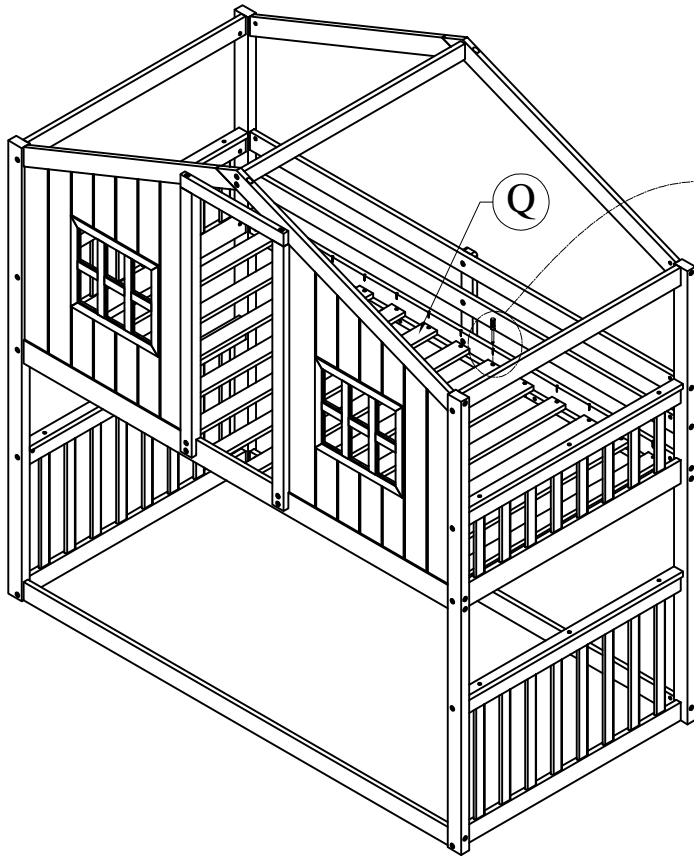
# STEP 10

The distance between the slats is 3-1/4 inch

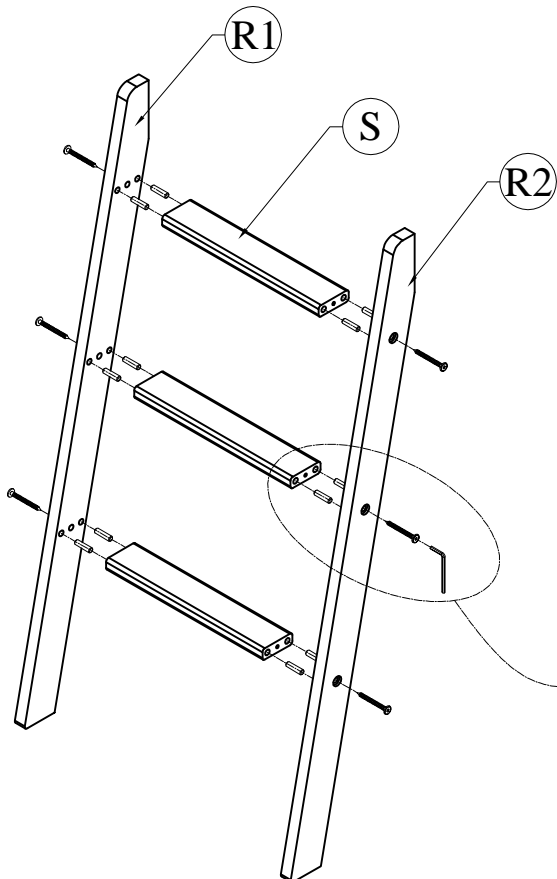
11



Wood crews  
M4 \* 25 - 26pcs



# STEP 11



8

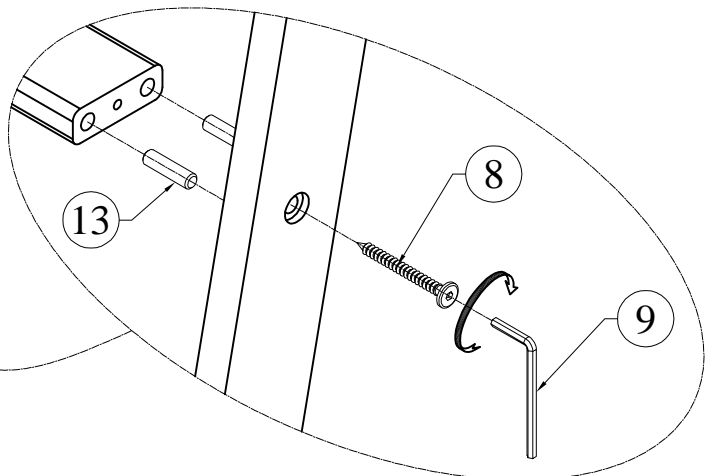


Hexagonal bolts catch wood  
Ø6 \* 50 - 6pcs

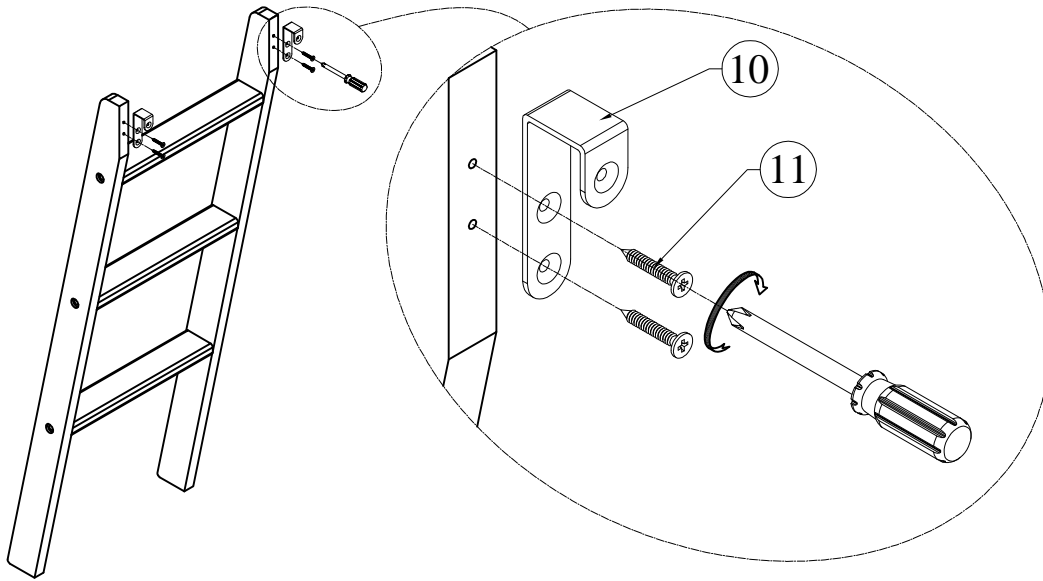
13



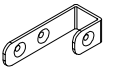
Wood dowel  
Ø8 \* 30 - 12pcs



# STEP 12



10



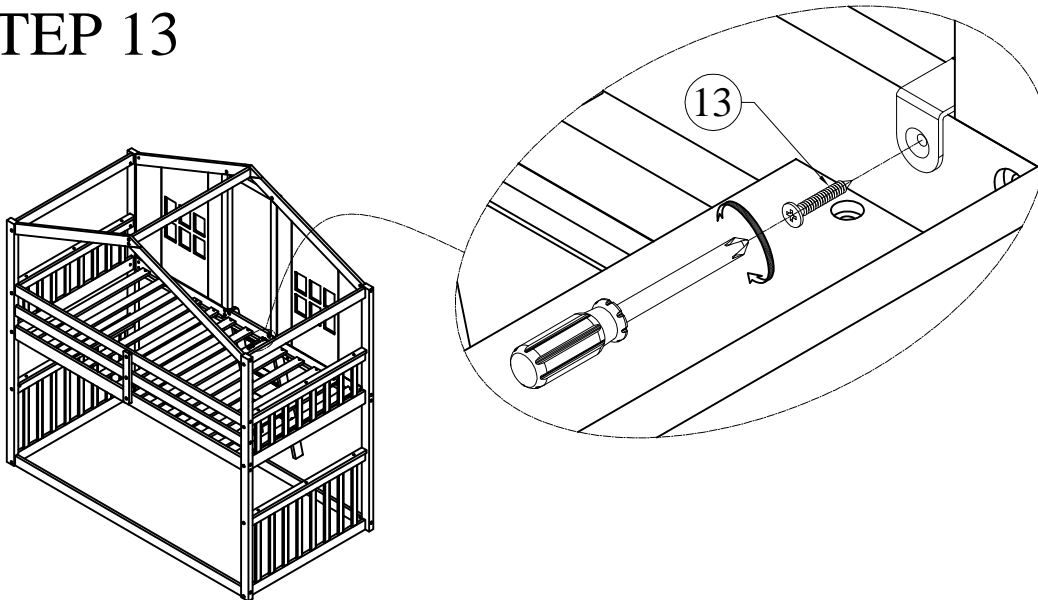
Patt U (2pcs)

11



Wood crews  
M4 \* 25 - 4pcs

# STEP 13



13



Wood crews  
M4 \* 15 - 2pcs

# COMPLETED

