

Features

- Showerhead can also be used as a rainhead for a customized showering experience.
- Magnetic rail allows handshower to easily dock at any height.
- Can be used as a showerhead/rainhead or a handshower with a simple push of a button.
- Advanced spray engine provides four spray experiences: full coverage, silk, powerful massage, and pause feature.
- Full coverage spray produces an encompassing spray ideal for everyday use.
- Silk spray releases a dense, luxurious spray ideal for rinsing.
- Powerful massage spray is a focused stream that targets sore muscles, or use as a utility spray to rinse kids, pets, and your shower.
- Pause feature temporarily pauses water flow to conserve water while you lather, shave or shampoo.
- Simple thumb tab smoothly transitions between sprays.
- Diverter positioned at the base of the column makes for easy toggling between the handshower and rainhead.
- 1.75 gpm (6.6 lpm) rainhead and handshower flow rates.
- MasterClean™ sprayface features an easy-to-clean surface that withstands mineral buildup.
- Box Includes: Showerhead, handshower, shower rail, 60" (1524 mm) hose, mounting hardware.

Material

- Select KOHLER finishes feature ScratchShield® technology which withstands even the toughest daily use.
- KOHLER finishes resist corrosion and tarnishing.

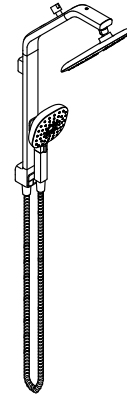
Installation

- G 1/2" -14 connection.
- Required for installation: Adjustable wrench, Phillips screwdriver, sealant tape.

Included Components

Additional Components:

- 60" metal shower hose
- Handshower
- Showerhead

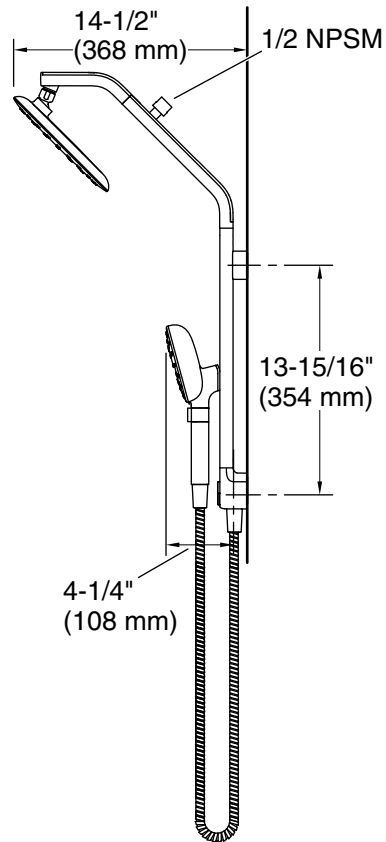
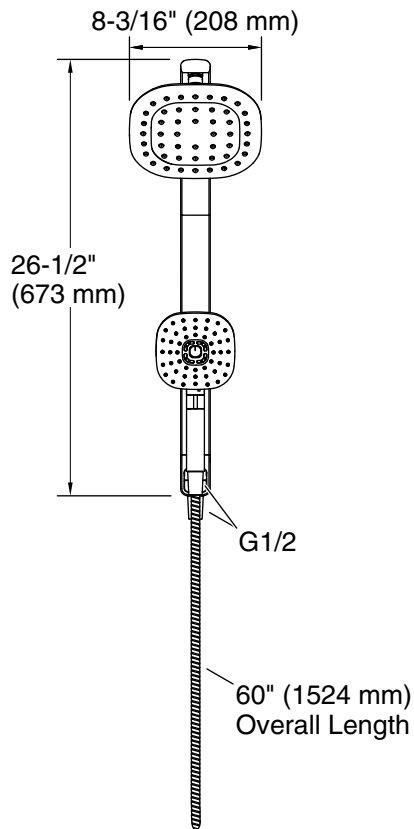


Codes/Standards

ASME A112.18.1/CSA B125.1
DOE - Energy Policy Act 1992
EPA WaterSense®
California Energy Commission (CEC)

KOHLER® Faucet Lifetime Limited Warranty

See website for detailed warranty information.



Technical Information

All product dimensions are nominal.

Drain included: No

Handshower:

Rated maximum flow: 1.75 gal/min (6.6 l/min)

Pressure: 80 psi (5.5 bar)

Showerhead/Body Spray:

Rated maximum flow: 1.75 gal/min (6.6 l/min)

Pressure: 80 psi (5.5 bar)

Notes

For use with automatic compensating valves rated at 1.45 gal/min (5.5 l/min) or less.

Install this product according to the installation instructions.