



Gas Downdraft Cooktop

Safety Information2

Warranty8

Assistance /
Parts and Accessories9

Using The Cooktop

Cooktop Features10

Surface Burners11

Using The Downdraft
Vent System12

Care and Cleaning

Cleaning The Cooktop13

Cleaning the Glass Cooktop15

Installation Instructions17

Troubleshooting Tips35

**Owner's Manual &
Installation Instructions**

PGP9830
PGP989

For a Spanish version of this manual, visit our Website at GEAppliances.com.

Para consultar una version en español de este manual de instrucciones, visite nuestro sitio de internet GEAppliances.com.

Write the model and serial numbers here:

Model # _____

Serial # _____

Find these numbers on a label under the cooktop, on the side of the vent chamber.

IMPORTANT SAFETY INFORMATION. READ ALL INSTRUCTIONS BEFORE USING.

⚠ WARNING

For your safety, the information in this manual must be followed to minimize the risk of fire or explosion, electric shock, or to prevent property damage, personal injury or loss of life.

⚠ WARNING: If the information in this manual is not followed exactly, a fire or explosion may result, causing property damage, personal injury or death.

- Do not store or use gasoline or other flammable vapors and liquids in the vicinity of this or any other appliance.
- **WHAT TO DO IF YOU SMELL GAS**
 - Do not try to light any appliance.
 - Do not touch any electrical switch; do not use any phone in your building.
 - Immediately call your gas supplier from a neighbor's phone. Follow the gas supplier's instructions.
 - If you cannot reach your gas supplier, call the fire department.
- Installation and service must be performed by a qualified installer, service agency or the gas supplier.

GAS-FIRED



LISTED

SAVE THESE INSTRUCTIONS

STATE OF CALIFORNIA PROPOSITION 65 WARNING

The California Safe Drinking Water and Toxic Enforcement Act requires the Governor of California to publish a list of substances known to the state to cause cancer, birth defects or other reproductive harm, and requires businesses to warn customers of potential exposure to such substances.

⚠ WARNING This product contains one or more chemical known to the State of California to cause cancer, birth defects or other reproductive harm.

Self-clean ovens can cause low-level exposure to some of these substances, including carbon monoxide, during the cleaning cycle. Exposure can be minimized by venting with an open window or using a ventilation fan or hood.

⚠ WARNING GENERAL SAFETY INSTRUCTIONS

Have the installer show you the location of the cooktop gas shut-off valve and how to shut it off if necessary.

- Have your cooktop installed and properly grounded by a qualified installer, in accordance with the Installation Instructions. Any adjustment and service should be performed only by qualified gas cooktop installers or service technicians.
- Do not attempt to repair or replace any part of your cooktop unless it is specifically recommended in this manual. All other service should be referred to a qualified technician.
- Locate the cooktop out of kitchen traffic path and out of drafty locations to prevent poor burner performance.
- Plug your cooktop into a 120-volt grounded outlet only. Do not remove the round grounding prong from the plug. If in doubt about the grounding of the home electrical system, it is your personal responsibility and obligation to have an ungrounded outlet replaced with a properly grounded, three-prong outlet in accordance with the National Electrical Code. Do not use an extension cord with this appliance.
- Let the burner grates and other surfaces cool before touching them or leaving them where children can reach them.
- Be sure all packaging materials are removed from the cooktop before operating it to prevent fire or smoke damage should the packaging material ignite.
- Be sure your cooktop is correctly adjusted by a qualified service technician or installer for the type of gas (natural or LP) which is to be used. Your cooktop can be converted for use with either type of gas. See the Installation Instructions in the LP Conversion Kit.
- **⚠ WARNING:** These adjustments must be made by a qualified service technician in accordance with the manufacturer's instructions and all codes and requirements of the authority having jurisdiction. Failure to follow these instructions could result in serious injury or property damage. The qualified agency performing this work assumes responsibility for the conversion.
- Do not leave children alone or unattended where a cooktop is hot or in operation. They could be seriously burned.
- Do not allow anyone to climb, stand or hang on the cooktop.
- Do not operate or clean your cooktop if the glass is broken or cracked. Cleaning solutions and spillovers could penetrate the broken cooktop and create a risk of electric shock. Call for service immediately if the cooktop glass breaks or cracks.

SAVE THESE INSTRUCTIONS

IMPORTANT SAFETY INFORMATION. READ ALL INSTRUCTIONS BEFORE USING.

⚠ WARNING GENERAL SAFETY INSTRUCTIONS

- **⚠ CAUTION** : Items of interest to children should not be stored in cabinets above a cooktop—children climbing on the cooktop to reach items could be seriously injured.
 - Always keep wooden and plastic utensils and canned food a safe distance away from your cooktop.
 - Always keep combustible wall coverings, curtains or drapes a safe distance from your cooktop.
 - Do not obstruct the flow of combustion and ventilation air.
 - Leak testing of the appliance shall be conducted according to the manufacturer's instructions.
 - Never wear loose-fitting or hanging garments while using the appliance. Be careful when reaching for items stored in cabinets over the cooktop. Flammable material could be ignited if brought in contact with flame or hot surfaces and may cause severe burns.
 - Teach children not to play with the controls or any other part of the cooktop.
- ⚠ WARNING: NEVER** use this appliance as a space heater to heat or warm the room. Doing so may result in carbon monoxide poisoning and overheating of the oven.
- Always keep dish towels, dishcloths, pot holders and other linens a safe distance from your cooktop.
 - Do not store flammable materials near a cooktop.
 - Do not store or use combustible materials, gasoline or other flammable vapors and liquids in the vicinity of this or any other appliance.
 - Do not let cooking grease or other flammable materials accumulate on or near the cooktop.
 - Do not operate the burner without all burner parts in place.
 - Do not place hot cookware on the glass cooktop. This could cause glass to break.
 - Do not clean the cooktop with flammable or volatile cleaning fluids.
 - Do not clean the cooktop when the appliance is in use.
- Avoid scratching the cooktop with sharp instruments, or with rings and other jewelry.
 - Never use the cooktop as a cutting board.
 - Do not use water on grease fires. Never pick up a flaming pan. Turn the controls off. Smother a flaming pan on a surface burner by covering the pan completely with a well-fitting lid, cookie sheet or flat tray. Use a multi-purpose dry chemical or foam-type fire extinguisher. Flaming grease outside a pan can be put out by covering it with baking soda or, if available, by using a multi-purpose dry chemical or foam-type fire extinguisher.
- **⚠ WARNING:** To reduce the risk of fire, electrical shock or injury to persons, observe the following:
 - A. Use this unit only in the manner intended by the manufacturer. If you have questions, contact the manufacturer.
 - B. Before servicing or cleaning the unit, switch power off at service panel.
 - C. When cutting or drilling into wall or ceiling, do not damage electrical wiring and other hidden utilities.
 - D. Ducted fans must always be vented to the outdoors.
 - E. To reduce the risk of fire, use only metal ductwork.
 - F. Do not flame foods on the cooktop. If you do flame foods under the hood, turn the fan on.
 - G. Sufficient air is needed for proper combustion and exhausting of gases through the flue (chimney) of fuel burning equipment to prevent back drafting. Follow the heating equipment manufacturer's guidelines and safety standards, such as those published by the National Fire Protection Association (NFPA), the American Society for Heating, Refrigeration and Air Conditioning Engineers (ASHRAE) and the local code authorities. When applicable, install any make up (replacement) air system in accordance with local building code requirements. Visit GEAppliances.com for available makeup air solutions.

SAVE THESE INSTRUCTIONS

⚠ WARNING GENERAL SAFETY INSTRUCTIONS

- **⚠ WARNING:** To reduce the risk of a cooktop grease fire:
 - A. Keep fan, filters and grease-laden surfaces clean.
 - B. Always turn vent ON when cooking at high heat.
 - C. Use high settings on cooktop only when necessary. Heat oil slowly on low to medium setting.
 - D. Don't leave the cooktop unattended when cooking.
 - E. Always use cookware and utensils appropriate for the type and amount of food being prepared.
- **⚠ CAUTION:** For general ventilating use only. Do not use to exhaust hazardous or explosive materials and vapors.

⚠ WARNING GLASS COOKTOP SURFACE

Use care when touching the glass cooktop surface. The glass surface of the cooktop will retain heat after the controls have been turned off.

- Avoid scratching the glass cooktop surface. The glass surface can be scratched with items such as sharp instruments, rings or other jewelry and rivets on clothing.
- Large scratches or impacts to glass cooktops can lead to broken or shattered glass.
- Do not operate the cooktop if the glass is broken. Spillovers or cleaning solution may penetrate a broken cooktop and create a risk of electrical shock. Contact a qualified technician immediately should your glass cooktop surface become broken.
- Never use the glass cooktop surface as a cutting board.
- Do not place or store items that can melt or catch fire on the glass cooktop surface, even when it is not being used.
- Be careful when placing spoons or other stirring utensils on glass cooktop surface when it is in use. They may become hot and could cause burns.
- Clean the cooktop surface with caution. If a wet sponge or cloth is used to wipe spills on a hot surface, be careful to avoid steam burns. Some cleaners can produce noxious fumes if applied to a hot surface. **NOTE:** We recommend that you avoid wiping any surface unit areas until they have cooled and the indicator light has gone off. **Sugar spills are the exception to this.** Please see Cleaning the Glass Cooktop in the Care and Cleaning section.
- When the cooktop is cool, use only CERAMA BRYTE® Ceramic Cooktop Cleaner and the CERAMA BRYTE® Cleaning Pad to clean the cooktop.
- To avoid possible damage to the cooking surface, do not apply cleaning cream to the glass surface when it is hot.
- After cleaning, use a dry cloth or paper towel to remove all cleaning cream residue.
- Read and follow all instructions and warnings on the cleaning cream labels.

SAVE THESE INSTRUCTIONS

IMPORTANT SAFETY INFORMATION. READ ALL INSTRUCTIONS BEFORE USING.

⚠ WARNING SURFACE BURNERS

Use proper pan size—avoid pans that are unstable or easily tipped. Select cookware having flat bottoms large enough to cover burner grates. To avoid spillovers, make sure cookware is large enough to contain the food properly. This will both save cleaning time and prevent hazardous accumulations of food, since heavy spattering or spillovers left on cooktop can ignite. Use pans with handles that can be easily grasped and remain cool.

- Always use the LITE position when igniting the top burners and make sure the burners have ignited.
- Never leave the surface burners unattended at high flame settings. Boilovers cause smoking and greasy spillovers that may catch on fire.
- Use only dry pot holders—moist or damp pot holders on hot surfaces may result in burns from steam. Do not let pot holders come near open flames when lifting cookware. Do not use a towel or other bulky cloth in place of a pot holder. Such cloths can catch fire on a hot burner.
- When using glass cookware, make sure it is designed for cooktop cooking.
- To minimize the possibility of burns, ignition of flammable materials and spillage, turn cookware handles toward the side or center of the cooktop without extending over adjacent burners.
- Always turn the surface burner controls off before removing cookware.
- Carefully watch foods being fried at a high flame setting.
- Always heat fat slowly and watch as it heats.
- Do not leave any items on the cooktop. The hot air from the vent may ignite flammable items and will increase pressure in closed containers, which may cause them to burst.
- If a combination of oils or fats will be used in frying, stir together before heating or as fats melt slowly.
- Do not use a wok on the cooking surface if the wok has a round metal ring that is placed over the burner grate to support the wok. This ring acts as a heat trap, which may damage the burner grate and burner head. Also, it may cause the burner to work improperly. This may cause a carbon monoxide level above that allowed by current standards, resulting in a health hazard.
- Foods for frying should be as dry as possible. Frost on frozen foods or moisture on fresh foods can cause hot fat to bubble up and over the sides of the pan.
- Use the least possible amount of fat for effective shallow or deep-fat frying. Filling the pan too full of fat can cause spillovers when food is added.
- Use a deep fat thermometer whenever possible to prevent overheating fat beyond the smoking point.
- Never try to move a pan of hot fat, especially a deep fat fryer. Wait until the fat is cool.
- Do not flame foods on the cooktop. If you do flame foods under the hood, turn the fan on.

SAVE THESE INSTRUCTIONS

⚠ WARNING SURFACE BURNERS

Adjust the burner flame size so it does not extend beyond the edge of the cookware. Excessive flame is hazardous.

- Do not leave plastic items on the cooktop— they may melt if left too close to the vent.
- Keep all plastics away from the surface burners.
- If you smell gas, turn off the gas to the cooktop and call a qualified service technician. Never use an open flame to locate a leak.
- To avoid the possibility of a burn, always be certain that the controls for all burners are at the off position and all grates are cool before attempting to remove them.
- Never clean the cooktop surface when it is hot. Some cleaners produce noxious fumes and wet cloths could cause steam burns if used on a hot surface.
- Never leave jars or cans of fat drippings on or near your cooktop.
- Do not use aluminum foil under burner grates. Misuse could result in a fire hazard or damage to the cooktop.
- Do not cover or block the area around the cooktop knobs. This area must be kept clear for proper ventilation and burner performance.
- Clean only parts listed in this Owner's Manual.

⚠ WARNING COOK MEAT AND POULTRY THOROUGHLY

Cook meat and poultry thoroughly—meat to at least an INTERNAL temperature of 160°F and poultry to at least an INTERNAL temperature of 180°F. Cooking to these temperatures usually protects against foodborne illness.

⚠ WARNING CONVERTING TO LP GAS
(or converting back to natural gas from LP)

This cooktop leaves the factory set for use with natural gas.

If you want to convert to LP gas, the conversion must be performed by a qualified LP gas installer.

The conversion instructions, conversion sticker and LP orifices can be found attached to the pressure regulator.

There is a second set of instructions included in the envelope containing the product wiring diagrams on the side of the cooktop. Keep these instructions and the orifices in case you want to convert back to natural gas.

SAVE THESE INSTRUCTIONS

Thank You! ... for your purchase of a GE Brand appliance.

Register Your Appliance: Register your new appliance on-line at your convenience!

www.geappliances.com/service_and_support/register/

Timely product registration will allow for enhanced communication and prompt service under the terms of your warranty, should the need arise. You may also mail in the pre-printed registration card included in the packing material.

GE Gas Cooktop Warranty

GEAppliances.com

All warranty service is provided by our Factory Service Centers, or an authorized Customer Care® technician. To schedule service, on-line, visit us at www.geappliances.com/service_and_support/, or call 800.GE.CARES (800.432.2737). Please have serial number and model number available when calling for service.

Servicing your appliance may require the use of the onboard data port for diagnostics. This gives a GE factory service technician the ability to quickly diagnose any issues with your appliance and helps GE improve its products by providing GE with information on your appliance. If you do not want your appliance data to be sent to GE, please advise your technician not to submit the data to GE at the time of service.

For the period of one year from the date of the original purchase. GE will provide any part of the cooktop which fails due to a defect in materials or workmanship. During this limited one-year warranty, GE will also provide, free of charge, all labor and in-home service to replace the defective part.

What GE will not cover:

- Service trips to your home to teach you how to use the product.
- Improper installation, delivery or maintenance.
- Failure of the product if it is abused, misused, modified or used for other than the intended purpose or used commercially.
- Replacement of house fuses or resetting of circuit breakers.
- Damage to the product caused by accident, fire, floods or acts of God.
- Incidental or consequential damage caused by possible defects with this appliance.
- Damage caused after delivery.
- Product not accessible to provide required service.
- Service to repair or replace light bulbs, except for LED lamps.
- Installation or service for a makeup (replacement) air system.

EXCLUSION OF IMPLIED WARRANTIES

Your sole and exclusive remedy is product repair as provided in this Limited Warranty. Any implied warranties, including the implied warranties of merchantability or fitness for a particular purpose, are limited to one year or the shortest period allowed by law.

This warranty is extended to the original purchaser and any succeeding owner for products purchased for home use within the USA. If the product is located in an area where service by a GE Authorized Servicer is not available, you may be responsible for a trip charge or you may be required to bring the product to an Authorized GE Service location for service. In Alaska, the warranty excludes the cost of shipping or service calls to your home.

Some states do not allow the exclusion or limitation of incidental or consequential damages. This warranty gives you specific legal rights, and you may also have other rights which vary from state to state. To know what your legal rights are, consult your local or state consumer affairs office or your state's Attorney General.

Warrantor: General Electric Company. Louisville, KY 40225

Extended Warranties: Purchase a GE extended warranty and learn about special discounts that are available while your warranty is still in effect. You can purchase it on-line anytime

www.geappliances.com/service_and_support/shop-for-extended-service-plans.htm

or call 800.626.2224 during normal business hours. GE Consumer Home Services will still be there after your warranty expires.

Staple your receipt here. Proof of the original purchase date is needed to obtain service under the warranty.

Have a question or need assistance with your appliance?

Try the GE Appliances Website (www.geappliances.com/service_and_support/) 24 hours a day, any day of the year! For greater convenience and faster service, you can now download Owner's Manuals, order parts or even schedule service on-line.

Schedule Service: Expert GE repair service is only one step away from your door. Get on-line and schedule your service at www.geappliances.com/service_and_support/ Or call 800.GE.CARES (800.432.2737) during normal business hours.

Parts and Accessories: Individuals qualified to service their own appliances can have parts or accessories sent directly to their homes (VISA, MasterCard and Discover cards are accepted). Order on-line today, 24 hours every day or by phone at 800.626.2002 during normal business hours.

Instructions contained in this manual cover procedures to be performed by any user. Other servicing generally should be referred to qualified service personnel. Caution must be exercised, since improper servicing may cause unsafe operation.

Real Life Design Studio: GE supports the Universal Design concept of products, services and environments that can be used by people of all ages, sizes and capabilities. We recognize the need to design for a wide range of physical and mental abilities and impairments. For details of GE's Universal Design applications, including kitchen design ideas for people with disabilities, check out our Website today. For the hearing impaired, please call 800.TDD.GEAC (800.833.4322).

Contact Us: If you are not satisfied with the service you receive from GE, contact us on our Website with all the details including your phone number, or write to:

General Manager, Customer Relations
GE Appliances, Appliance Park Louisville, KY 40225

Parts and Accessories

To place an order visit us online at:

www.GEApplianceParts.com (U.S.) or www.GEAppliances.ca (Canada)
 or call **800.626.2002** (U.S.) **800.661.1616** (Canada)

The following parts are available:

Parts

Cast Iron Burner Grate (2/pk)	WB31X24784
Vent Grille	WB34X24785
Medium Burner Cap Left-Front and Right-Front	WB29X24783
Small Burner Cap Left-Rear	WB29X24781
Large Burner Cap Right-Front	WB29X24782
Burner Control Knob (White)	WB03X10121
Burner Control Knob (Black)	WB03X10122
Vent Control Knob (White)	WB03X10323
Vent Control Knob (Black)	WB03X10322
Vent Filter	WB02X10651
Rubber Grate Feet	WB02T10101

Accessories

NG High Altitude Orifice Kit	WB28X10114
LP High Altitude Orifice Kit	WB28X10115
LP Orifice Left-Front and Left-Rear	WB06X10277
LP Orifice Right-Rear	WB06X10278
LP Orifice Right-Front	WB06X10279

Cleaning Supplies

CitruShine Stainless Steel Wipes	WX10X10007
CERAMA BRYTE® Stainless Steel Appliance Cleaner	PM10X311
CERAMA BRYTE® Cleaning Pads for Ceramic Cooktops	WX10X350
CERAMA BRYTE® Ceramic Cooktop Cleaner	WX10X300
CERAMA BRYTE® Ceramic Cooktop Scraper	WX10X0302
Kit (Kit includes cream and cooktop scraper)	WB64X5027

How to Remove Protective Shipping Film and Packaging Tape

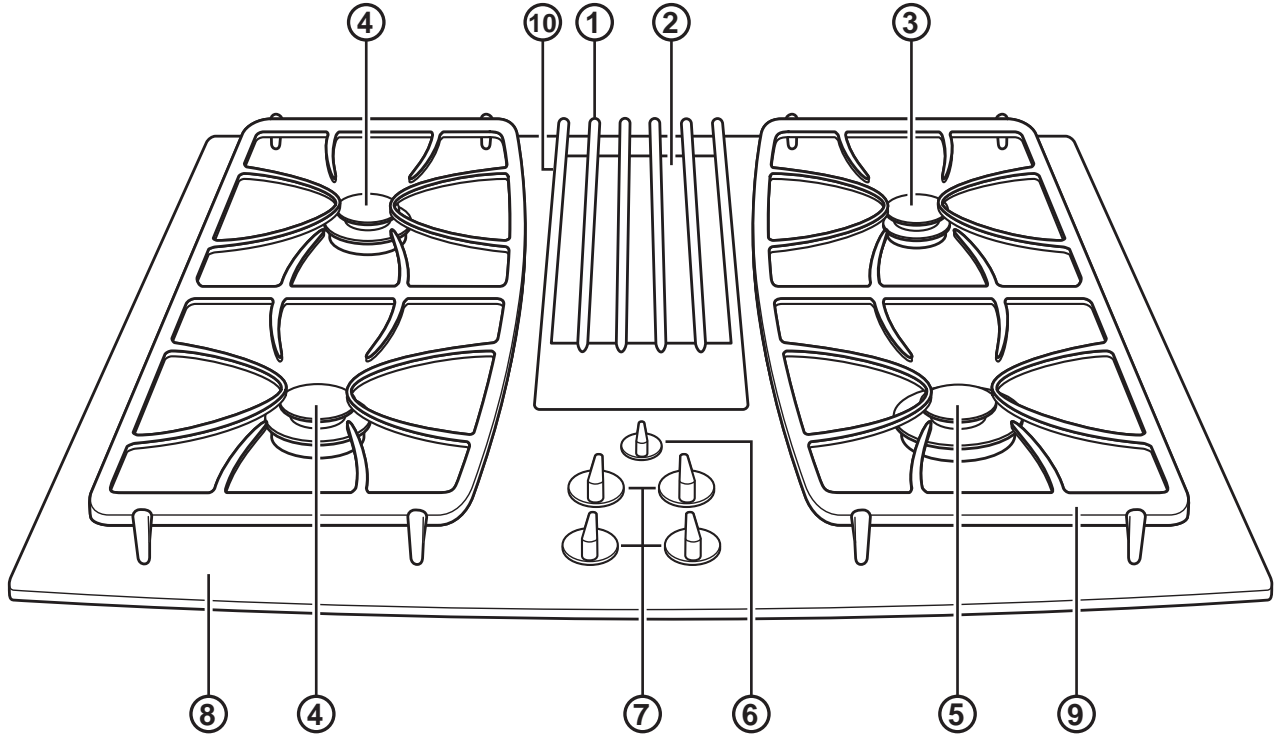
Carefully grasp a corner of the protective shipping film with your fingers and slowly peel it from the appliance surface. Do not use any sharp items to remove the film. Remove all of the film before using the appliance for the first time.

To assure no damage is done to the finish of the product, the safest way to remove the adhesive from packaging tape on new appliances is an application of a household liquid dishwashing detergent. Apply with a soft cloth and allow to soak.

NOTE: The adhesive must be removed from all parts. It cannot be removed if it is baked on.

Cooktop Features

Throughout this manual, features and appearance may vary from your model.



1. **Vent Grille:** See page 14.
2. **Vent Filter (located under the vent grille):** See page 14.
3. **Simmer Spillproof Burner:** See pages 11 and 13.
4. **Spillproof Burners:** See pages 11 and 13.
5. **High Power Spillproof Burner:** See pages 11 and 13.
6. **Vent Control:** See page 12.
7. **Surface Burner Controls:** See page 11.
8. **Glass Cooktop Surface:** See pages 15 and 16.
9. **Cast-Iron Burner Grates:** See page 14.
10. **Vent Grille Gasket:** See pages 14-16.

Surface Burners

Throughout this manual, features and appearance may vary from your model.

How to Light a Gas Surface Burner

Push the control knob down and turn it to the **LITE** position.

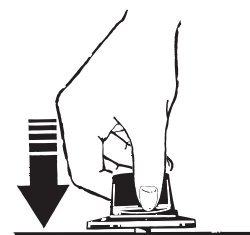
You will hear a little **clicking** noise—the sound of the electric spark igniting the burner.

Turn the knob to adjust the flame size. If the knob stays at **LITE**, it will continue to click.

When one burner is turned to LITE, all the burners spark. Do not attempt to disassemble or clean around

any burner while another burner is on. An electric shock may result, which could cause you to knock over hot cookware.

If the burner has not been used recently, the flames may make an excessive noise. This is normal, and it should dissipate after 4 to 5 minutes.



Push the control knob down and turn it to the LITE position.

Sealed Gas Burners

The smaller burner (right rear position) will give the best simmer results. It offers precise cooking performance for delicate foods, such as sauces or foods which need to cook over low heat for a long time. It can be turned down to a very low simmer setting.

The other burners are higher powered and will bring liquids to a boil quicker, especially with the use of a lid.

How to Select Flame Size

For safe handling of cookware, never let the flames extend up the sides of the cookware.

Watch the flame, not the knob, as you reduce heat. The flame size on a gas burner should match the cookware you are using.

Any flame larger than the bottom of the cookware is wasted and only serves to heat the handle.



In Case of Power Failure

In case of a power failure, you can light the gas surface burners on your cooktop with a match. Hold a lit match to the burner, then push in and turn the control knob to the **LITE** position. Use extreme caution when lighting burners this way.

Surface burners in use when an electrical power failure occurs will continue to operate normally.

IN CASE OF A POWER FAILURE, THE VENTILATION SYSTEM WILL NOT OPERATE.

Before Lighting a Gas Burner

- Make sure all burner heads, burner caps and grates are in their proper locations (see Burner Caps, Heads and Electrodes in the Care and cleaning of the cooktop section).

After Lighting a Gas Burner

- Do not operate the burner for an extended period of time without cookware on the grate. The finish on the grate may chip without cookware to absorb the heat.
- Be sure the burners and grates are cool before you place your hand, a pot holder, cleaning cloths or other materials on them.

Surface Burners (Cont.)

Wok This Way

We recommend that you use a flat-bottomed wok, available at your local retail store.

Only a flat-bottomed wok should be used. Do not use a flat-bottomed wok with a wok holder.

Do not use a flat-bottomed wok on a support ring. Placing the ring over the burner or grate may cause the burner to work improperly, resulting in carbon monoxide levels above allowable current standards. This could be dangerous to your health.



Use a flat-bottomed wok.



Cookware

Aluminum: Medium-weight cookware is recommended because it heats quickly and evenly. Most foods brown evenly in an aluminum skillet. Use saucepans with tight-fitting lids when cooking with minimum amounts of water.

Stainless Steel: This metal alone has poor heating properties and is usually combined with copper, aluminum or other metals for improved heat distribution. Combination metal skillets usually work satisfactorily if they are used with medium heat as the manufacturer recommends.

Cast-Iron: If heated slowly, most skillets will give satisfactory results.

Enamelware: Under some conditions, the enamel of some cookware may melt. Follow cookware manufacturer's recommendations for cooking methods.

Glass: There are two types of glass cookware—those for oven use only and those for top-of-range cooking (saucepans, coffee and teapots). Glass conducts heat very slowly.

Heatproof Glass Ceramic: Can be used for either surface or oven cooking. It conducts heat very slowly and cools very slowly. Check cookware manufacturer's directions to be sure it can be used on a gas cooktop.

Stove Top Grills

Do not use stove top grills on your sealed gas burners. If you use the stove top grill on the sealed gas burner it will cause incomplete combustion and can result in exposure to carbon monoxide levels above allowable current standards. This can be hazardous to your health.



Using The Downdraft Vent System

How to Operate the Downdraft Vent System

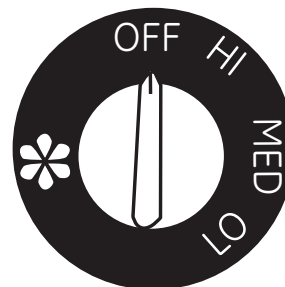
The built-in vent system helps remove cooking vapors, odors and smoke from foods prepared on the cooktop.

Turn the vent fan speed control knob to **HI**, **MED** or **LO**, as needed.

Continuous use of the vent system while cooking helps keep the kitchen comfortable and less humid, reducing cooking odors and soiling moisture that normally creates a frequent need for cleaning.

The appearance of the burner flames may be affected when the vent fan is operating. At the high fan speed setting, it is normal for the nearby burner flames to be drawn toward the vent grille. If cooking performance is affected, use a lower fan speed setting.

IN CASE OF A POWER FAILURE, THE VENTILATION SYSTEM WILL NOT OPERATE.



Cleaning The Cooktop

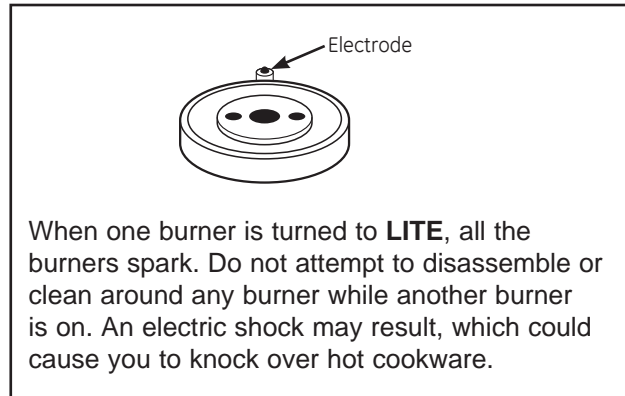
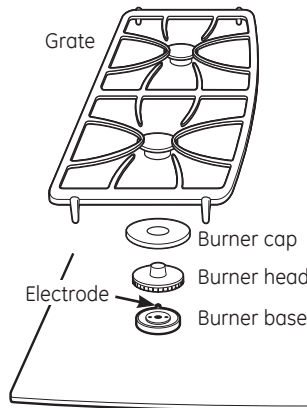
Be sure electrical power is off and all surfaces are cool before cleaning any part of the cooktop.

Sealed Burner Assemblies

Turn all controls **OFF** before removing the burner parts.

The burner grates, caps and burner heads can be lifted off, making them easy to clean.

CAUTION Do not operate the burner without all burner parts in place.



Burner Caps, Heads and Electrodes

Burner Caps

Lift off when cool. To clean the burner caps, wash in hot, soapy water and rinse with clean water. You may scour with a plastic scouring pad to remove burned-on food particles.

Burner Heads

The slits in the burner heads of your cooktop must be kept clean at all times for an even, unhampered flame. You should clean the surface burners routinely, especially after bad spillovers, which could clog these openings. Lift off when cool.

To clean the burner heads, wash in hot, soapy water and rinse with clean water.

To remove burned-on food, soak the burner heads in a solution of mild liquid detergent and hot water for 20–30 minutes. For more stubborn stains, use a toothbrush. Use a small sewing needle or paper clip to remove any clogs in the slits.

Electrodes

This small metal rod produces the spark and must be kept clean and dry to properly ignite the gas.

To clean the electrodes, use a dry paper towel or scrub pad.

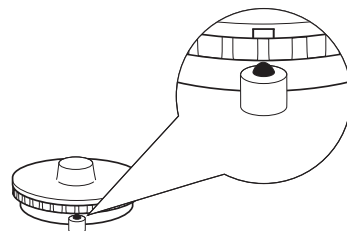
After Cleaning

Before putting the burner caps and heads back, shake out excess water and then dry them thoroughly by setting in a warm oven for 30 minutes. Check to make sure the electrodes remain seated down in burner head.

Replacement

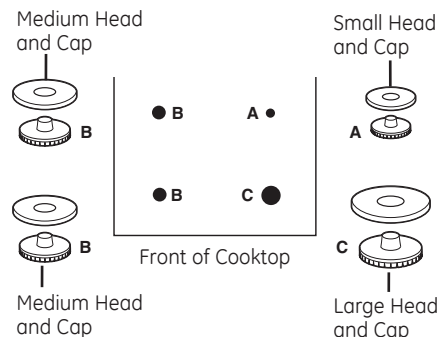
The burner heads and burner bases are labeled A, B and C to aid reassembly.

Replace the burner heads on the bases matching the letters. Replace the caps on the heads. Make sure that the caps and heads are replaced in the correct location. There is one small (A), two medium (B) and one large (C) head and cap. If the caps or heads are not replaced in the correct locations, burners may not ignite or perform properly.



After cleaning, make sure the notch in the burner head is positioned toward the electrode. Rotate the burner head around the burner base until it is level and securely seated.

NOTE: Before removing the burner caps and heads, remember their size and location. Replace them in the same location after cleaning. The burner heads and burner bases are labeled A, B and C to aid reassembly.



Cleaning The Cooktop

Burner Grates, Vent Grille and Gasket

Lift off when cool. Grates, grille and gasket should be washed regularly and, of course, after spillovers.

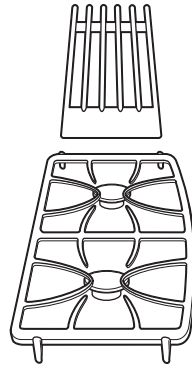
To clean, wash them in hot, soapy water and rinse with clean water.

Discoloration on the grates may also be removed by using the provided cooktop cleaning cream. Apply a drop or two on a damp cloth and rub across the discolored area. Rinse and dry. After cleaning, replace the burner grates and make sure they are positioned securely over the burners.

To remove burned-on food, use a soap-filled scouring pad.

Although they are durable, the grates will gradually lose their shine, regardless of the best care you can give them. This is due to their continual exposure to high temperatures. You will notice this sooner with lighter color grates.

Do not operate a burner for an extended period of time without cookware on the burner grate. The finish on the grate may chip without cookware to absorb the heat.



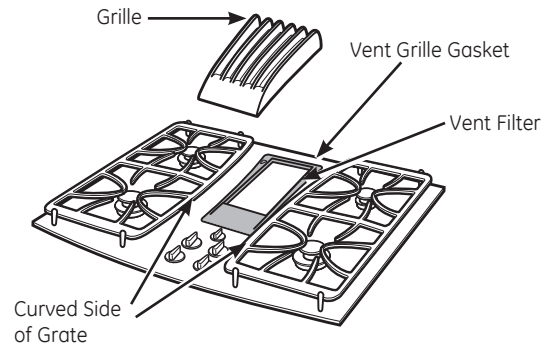
Appearance may vary.

The grate legs have four rubber feet. To order replacement rubber grate feet, see the Assistance / Parts and Accessories section.

Replacement

Before replacing the vent grille, make sure the grille gasket is properly installed around the downdraft vent opening, with the word "FRONT" toward the knobs. Replace the vent grille carefully over the gasket.

When replacing the grates, make sure the curved sides of the grates are toward the center.



NOTE: Do not clean the grates, grille or grille gasket in a self-cleaning oven.

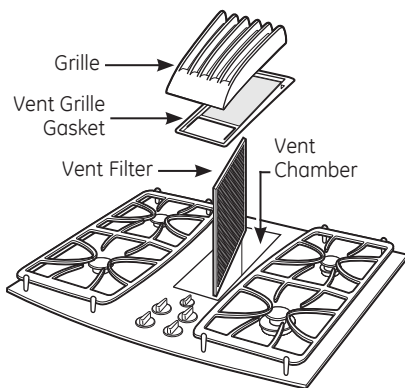
The grates, grille and grille gasket may be cleaned in a dishwasher.

Vent Filter and Chamber

Remove the vent grille and vent grille gasket. The filter is held in place at an angle with a hold bump. Lift the filter up and out of the vent opening diagonally.

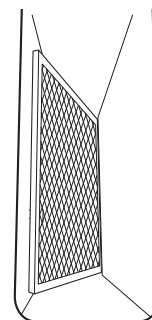
To clean the filter, swish it in hot, soapy water. Rinse well with clean water and dry thoroughly.

Do not operate the vent without the filter in place.



Remove and replace the filter diagonally through the vent opening.

To order replacement filters, see the Assistance / Parts and Accessories section.



When replacing the filter, make sure it rests, at an angle, on the supports in the vent opening.

To clean the vent chamber, use hot, soapy water. Rinse with clean water and dry thoroughly. Do not use abrasive cleaners; they will damage the finish.

Replacement

Replace the filter after it is cleaned and dry. Replace the vent grille gasket by forming it around the vent opening and make sure the word "FRONT" is toward the knobs. Replace the grille.

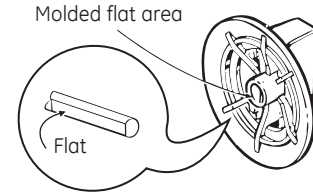
Cleaning The Cooktop

Control Knobs

The control knobs may be removed for easier cleaning. Make sure the knobs are in the **OFF** positions and pull them straight off the stems for cleaning.

To clean the knobs, place them in a dishwasher or wash with soap and water. Rinse with clean water. Make sure the insides of the knobs are dry before replacing.

Replace the knobs in the **OFF** position to ensure proper placement.



The control knobs may be removed for easier cleaning.

Stainless Steel Surfaces (on some models)

Do not use a steel wool pad; it will scratch the surface. To clean the stainless steel surface, use warm sudsy water or a stainless steel cleaner or polish. Always wipe the surface in the direction of the grain. Follow the cleaner instructions for cleaning the stainless steel surface.

To inquire about purchasing cleaning products including stainless steel appliance cleaner or polish read the Assistance / Parts and Accessories sections at the beginning of this manual.

Cleaning the Glass Cooktop

Normal Daily Use Cleaning

ONLY use CERAMA BRYTE® Ceramic Cooktop Cleaner on the glass cooktop. Other creams may not be as effective.

To maintain and protect the surface of your glass cooktop, follow these steps:

1. Before using the cooktop for the first time, clean it with CERAMA BRYTE® Ceramic Cooktop Cleaner. This helps protect the top and makes cleanup easier.
2. Daily use of CERAMA BRYTE® Ceramic Cooktop Cleaner will help keep the cooktop looking new.
3. Remove the burner grates, vent grille and vent grille gasket.
4. Shake the cleaning cream well. Apply a few drops of CERAMA BRYTE® Ceramic Cooktop Cleaner directly to the cooktop.

5. Use a paper towel or CERAMA BRYTE® Cleaning Pad for Ceramic Cooktops to clean the entire cooktop surface.
6. Use a dry cloth or paper towel to remove all cleaning residue. No need to rinse.

NOTE: It is very important that you **DO NOT** heat the cooktop until it has been cleaned thoroughly.



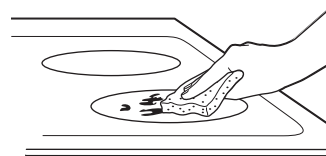
Clean your cooktop after each spill. Use CERAMA BRYTE® Ceramic Cooktop Cleaner.

Burned-On Residue

NOTE: DAMAGE to your glass surface may occur if you use scrub pads other than those recommended.

1. Allow the cooktop to cool.
2. Remove the burner grates, vent grille and vent grille gasket. Spread a few drops of CERAMA BRYTE® Ceramic Cooktop Cleaner to the entire burned residue area.
3. Using the included CERAMA BRYTE® Cleaning Pad for Ceramic Cooktops, rub the residue area, applying pressure as needed.
4. If any residue remains, repeat the steps listed above as needed.

5. For additional protection, after all residue has been removed, polish the entire surface with CERAMA BRYTE® Ceramic Cooktop Cleaner and a paper towel.

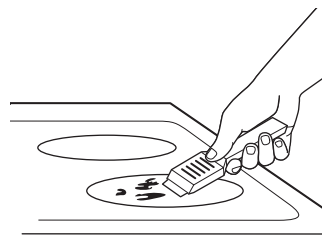


Use a CERAMA BRYTE® Cleaning Pad for Ceramic Cooktops.

Cleaning the Glass Cooktop

Heavy, Burned-On Residue

1. Allow the cooktop to cool.
2. Remove the burner grates, vent grille and vent grille gasket.
3. Use a single-edge razor blade scraper at approximately a 45° angle against the glass surface and scrape the soil. It will be necessary to apply pressure to the razor scraper in order to remove the residue.
4. After scraping with the razor scraper, spread a few drops of CERAMA BRYTE® Ceramic Cooktop Cleaner on the entire burned residue area. Use the CERAMA BRYTE® Cleaning Pad to remove any remaining residue.
5. For additional protection, after all residue has been removed, polish the entire surface with CERAMA BRYTE® Ceramic Cooktop Cleaner and a paper towel.



The CERAMA BRYTE® Ceramic Cooktop Scraper and all recommended supplies are available through our Parts Center. See Assistance / Parts And Accessories section.

NOTE: Do not use a dull or nicked blade.

Metal Marks and Scratches

Be careful not to slide pots and pans across your cooktop. It will leave metal markings on the cooktop surface.

These marks are removable using the CERAMA BRYTE® Ceramic Cooktop Cleaner with the CERAMA BRYTE® Cleaning Pad for Ceramic Cooktops.

NOTE: Carefully check the bottom of pans for roughness that would scratch the cooktop.

Damage from Sugary Spills and Melted Plastic

Special care should be taken when removing hot substances **to avoid permanent damage of the glass surface**. Sugary spillovers (such as jellies, fudge, candy, syrups) or melted plastics can cause pitting of the surface of your cooktop (not covered by the warranty) unless the spill is removed while still hot. Special care should be taken when removing hot substances.

Be sure to use a new, sharp razor scraper.

Do not use a dull or nicked blade.

1. Turn off all surface burners and, with an oven mitt, remove hot pans and grates.
2. Wearing an oven mitt:
 - a. Use a single-edge razor blade scraper (CERAMA BRYTE® Ceramic Cooktop Scraper) to move the spill to a cool area on the cooktop.
 - b. Remove the spill with paper towels.
3. Any remaining spillover should be left until the surface of the cooktop has cooled.
4. Don't use the surface units again until all of the residue has been completely removed.

NOTE: If pitting or indentation in the glass surface has already occurred, the cooktop glass will have to be replaced. In this case, service will be necessary.

Installation Instructions

Gas Downdraft Cooktop

PGP9830

? "If you have questions, call 800.GE.CARES or visit our website at: GEAppliances.com"

IN THE COMMONWEALTH OF MASSACHUSETTS:

- This product must be installed by a licensed plumber or gas fitter.
- When using ball-type gas shut-off valves, they shall be the T-handle type.
- A flexible gas connector, when used, must not exceed 3 feet.

BEFORE YOU BEGIN

Read these instructions completely and carefully.

- **IMPORTANT** – Save these instructions for local inspector's use.
- **IMPORTANT** – Observe all governing codes and ordinances.
- **Note to Installer** – Be sure to leave these instructions with the Consumer.
- **Note to Consumer** – Keep these instructions for future reference.
- Unless very knowledgeable in the installation of this product, engage a professional installer.
- Proper installation is the responsibility of the installer.
- Product failure due to improper installation is not covered under the Warranty.

FOR YOUR SAFETY

If You Smell Gas:

1. Open windows.
2. Don't touch any electrical switches.
3. Extinguish any open flame.
4. Immediately call your gas supplier.

Do not store or use gasoline or other flammable vapors and liquids in the vicinity of this or any other appliance.

⚠ WARNING – Before beginning the installation, switch power off at the service panel and lock the service disconnecting means to prevent power from being switched on accidentally. When the service disconnecting means cannot be locked, securely fasten a prominent warning device, such as a tag, to the service panel.

TOOLS AND MATERIALS YOU WILL NEED

- Saw
- Duct tape
- Measuring tape or scale
- Carpenter's square
- Adjustable wrench or socket set (7/16" socket and ratchet)
- Drill and drill bit
- 1/4" nut driver
- Sheet metal screws
- Pipe wrench
- Manual gas line shut-off valve
- Pipe joint sealant that resists action of LP gas
- Ductwork to suit the installation

For rigid connection:

- Shut-off valve
- Union
- Pipe fittings as required

For flexible connection where local codes permit:

- Flexible metal tubing (same 3/4" or 1/2" I.D. as gas supply line)

HIGH ALTITUDE ORIFICE CONVERSION KIT

Use for cooktop operation at elevations above 5000 ft. (1500m).

Specify kit for Natural Gas or LP Gas when ordering:

Natural Gas High Altitude
Orifice Conversion KitWB28X10114
LP High Altitude Orifice Conversion Kit.....WB28X10115

To order, please call our toll-free number:

National Parts Center..... 800.626.2002

Installation Instructions

IMPORTANT SAFETY INSTRUCTIONS

IMPORTANT SAFETY INSTRUCTIONS

The cooktop has been design certified by Underwriters Laboratories (UL). As with any appliance using gas and generating heat, there are certain safety precautions you should follow. You'll find these precautions in the *Important Safety Information* section in the front of this Owner's Manual. Read them carefully.

- Be sure your cooktop is installed properly by a qualified installer or service technician.
- The cooktop must be electrically grounded in accordance with local codes, or in their absence, with the National Electrical Code ANSI/NFPA No. 70 – Latest Edition.
- Installation of this cooktop must conform with local codes, or in the absence of local codes, with the National Fuel Gas Code ANSI Z223.1/NFPA 54 – Latest Edition.
- Improper installation, adjustment, alteration, service or maintenance can cause injury or property damage. Refer to this manual. For assistance or additional information, consult a qualified installer, service agency, manufacturer (dealer) or the gas supplier.
- Disconnect electrical supply before servicing.
- Never reuse old flexible connectors. The use of old flexible connectors can cause gas leaks and personal injury. Always use **NEW** flexible connectors when installing a gas appliance.
- Make sure the wall coverings around the cooktop can withstand heat generated by the cooktop up to 200°F.
- Avoid placing cabinets above the cooktop.
- If cabinets are placed above the cooktop, allow a minimum clearance of 30" between the cooking surface and the bottom of unprotected cabinets.
- If cabinets are placed above the cooktop, use cabinets no more than 13" deep.
- If a 30" clearance between cooking surface and overhead combustible material or metal cabinets cannot be maintained, protect the underside of the cabinets above the cooktop with not less than 1/4" insulating millboard or gypsum board at least 3/16" thick covered with 28 gauge sheet steel or 0.020" thick copper.
- Clearance between the cooking surface and protected cabinets **MUST NEVER BE LESS THAN 24"** The vertical distance from the plane of the cooking surface to the bottom of adjacent overhead cabinets extending closer than 1" to the plane of the cooktop sides must not be less than 18".

EXHAUST BLOWER RATINGS

EXHAUST BLOWER SAFETY WARNING

Sufficient air is needed for proper combustion and exhausting of gases through the flue (chimney) of fuel burning equipment to prevent back drafting. Follow the heating equipment manufacturer's guide lines and safety standards, such as those published by the National Fire Protection Association (NFPA), the American Society for Heating, Refrigeration and Air Conditioning (ASHRAE) and the local code authorities. when applicable, install any make up (replacement) air system in accordance with local building code requirements. Visit GEAppliances.com for available makeup air solutions.

Installation Instructions

PARTS INCLUDED

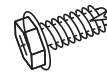
Check to be sure that all packing materials and tape have been removed. This will include tape on control knobs (if applicable), adhesive tape, wire ties, cardboard and protective plastic. Failure to remove these materials could result in damage to the appliance once the appliance has been turned on and surfaces have heated.



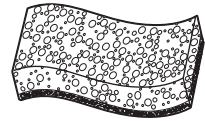
Reflective Tape



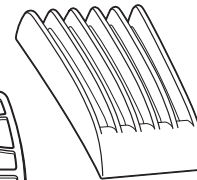
Cleaning Cream



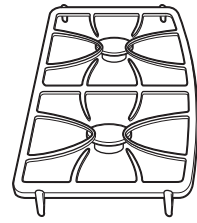
Sheet Metal Screws (9)
(8-18 x 3/8")



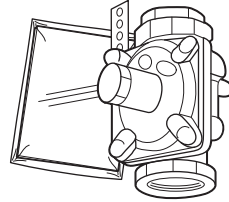
Scrub Sponge



Vent Grille



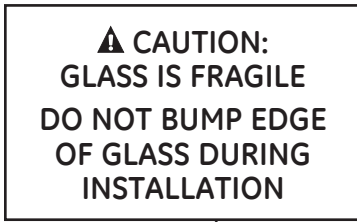
Burner Grate (2)



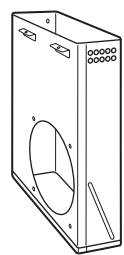
Regulator



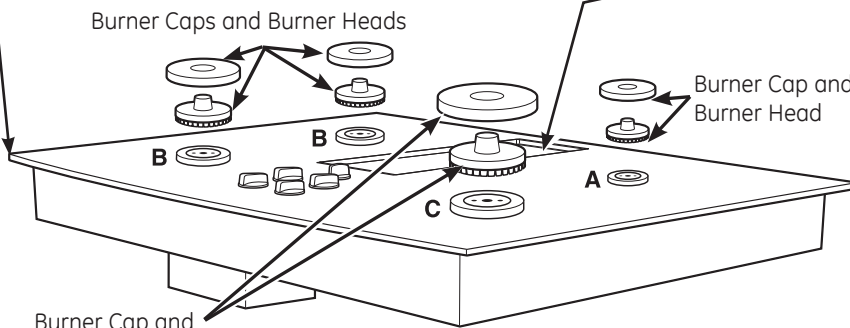
CAUTION:
DO NOT LIFT
FROM VENT
OPENING OR
BUMP GLASS



CAUTION:
GLASS IS FRAGILE
DO NOT BUMP EDGE
OF GLASS DURING
INSTALLATION



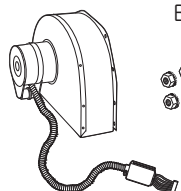
Blower Plenum



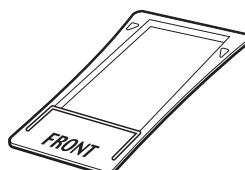
Burner Caps and Burner Heads

Burner Cap and Burner Head

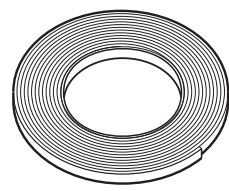
Burner Cap and Burner Head



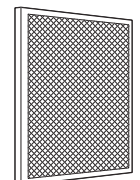
Blower Assembly and (4) Mounting Nuts (10-32 keps - nuts with lock washers attached)



Vent Grille Gasket



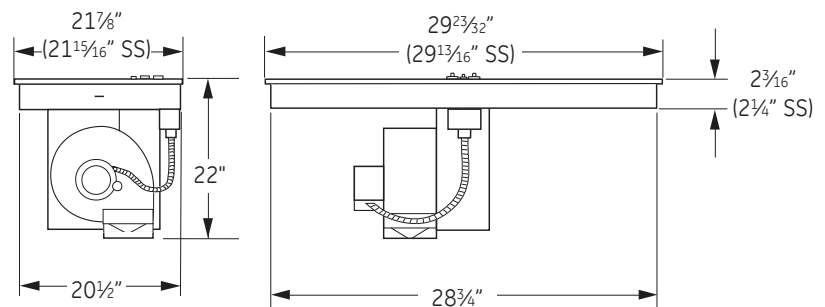
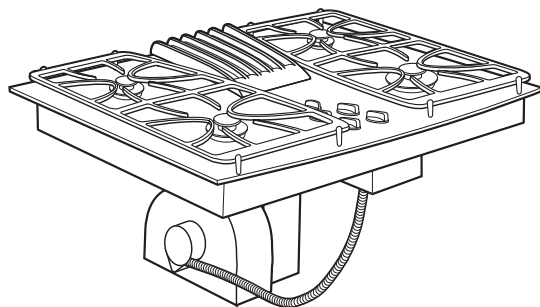
Foam Gasket Tape



Vent Filter

30" COOKTOP (DIMENSIONS FOR REFERENCE ONLY)

Unit shown fully assembled.



Unit must be vented to the outside!

Installation Instructions

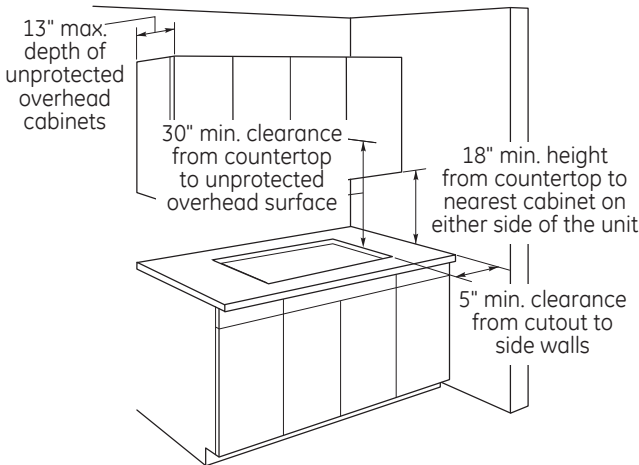
CABINET PREPARATION

1 PREPARING FOR INSTALLATION

Positioning the cooktop

The cooktop is designed to look best when centered in a cabinet at least 30" wide.

The exhaust vent beneath the cooktop must be located between wall studs or floor joists so that the ductwork may be installed properly.



The downdraft system with blower, motor and ductwork will occupy the cabinet below the cooktop. Drawers cannot be installed below this cooktop.

Avoid placing cabinets above the cooktop unit, if possible, in order to reduce the hazards caused by reaching over heated surface units.

If the cabinetry is used above the cooktop, allow a minimum 30" clearance between the cooking surface and the bottom of the unprotected cabinet.

If the clearance between the cooktop and the cabinetry is less than 30", the cabinet bottom must be protected with a flame retardant millboard at least 1/4" thick, or gypsum board at least 3/16" thick, covered with 28 gauge sheet steel or 0.020" thick copper. Clearance between the cooktop and the protected cabinetry **MUST NEVER BE LESS THAN 24"**.

EXCEPTION: Installation of a listed microwave oven or cooking appliance over the cooktop shall conform to the installation instructions packed with that appliance.

Working areas adjacent to the cooktop should have an 18" minimum clearance between the countertop and the bottom of the cabinet. If the clearance is less than 18", the adjacent cabinets should be at least 5" from the side edge of the cooktop.

2 PREPARING THE BASE CABINET

This cooktop is designed to fit easily into a variety of cabinets. However, the combined installation of a downdraft vent and a cooktop require careful consideration.

Some cabinets may require modifications.

This installation requires a 24" min. deep cabinet base. The cabinet must be at least 30" wide.

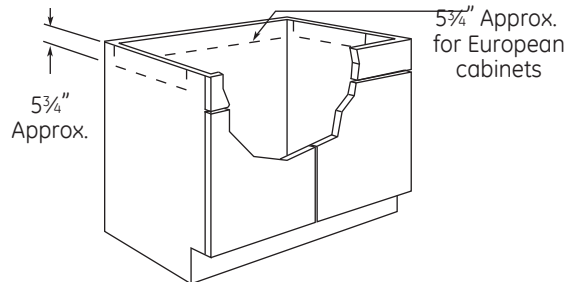
Preparing a cabinet that is against a wall

In some cabinets, the sides may need to be scooped or cut down 5 3/4" as shown, and the corner braces removed in order to accommodate the unit.

In 75 cm and 90 cm frameless European cabinets, the back panel may need to be cut down 5 3/4" to accommodate the unit.

Preparing a peninsula or island-type cabinet

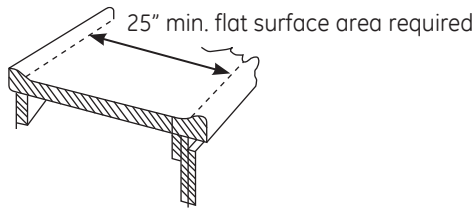
In a peninsula or island type cabinet, the sides may need to be scooped or cut down, and the corner braces removed in order to accommodate the unit.



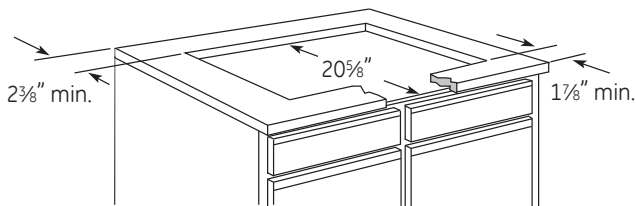
CABINET PREPARATION CUTOUTS

3 PREPARING THE COUNTERTOP

The countertop must have a deep flat surface to accommodate the cooktop and the vent. Countertops with a rolled front edge and backsplash may not provide the flat surface area required.

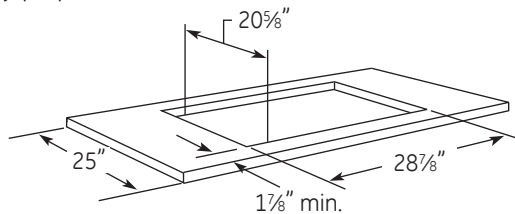


Clearance between inside front of cabinet and rear of countertop cutout must be 20 $\frac{5}{8}$ " in order to accommodate cooktop depth.



A 1/2" wide flat area is required around the edge of opening for support of the unit. The cooktop unit must be level and sit squarely into countertop opening.

Carefully cut countertop opening according to the dimensions shown in the illustration. Be sure that opening is cut squarely, with sides parallel to each other and rear exactly perpendicular to sides.



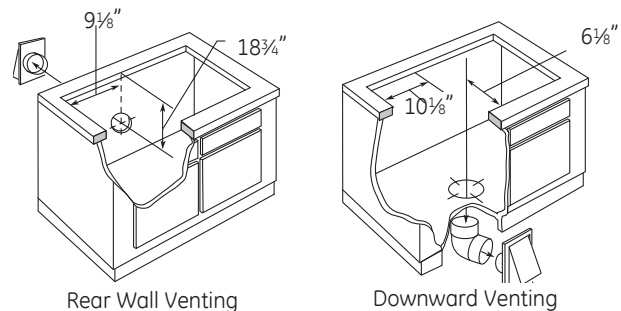
For island installation, maintain 1 $\frac{7}{8}$ " minimum from cutout to front edge; 2 $\frac{3}{8}$ " minimum from cutout to back edge; and 5" minimum from cutout to side edges of countertop.

4 PREPARING FOR DUCTWORK

NOTE: Ductwork **MUST** be vented to outside. **DO NOT** vent into a wall, ceiling, crawlspace, attic or any concealed space.

Cut hole in cabinet wall or floor as appropriate for your installation. Make sure exhaust duct is located between wall studs or floor joists.

NOTE: When cutting or drilling into wall or ceiling, do not damage electrical wiring and other hidden utilities. Make sure that any opening/cutout in the wall behind the appliance and in the floor under the appliance are sealed properly.

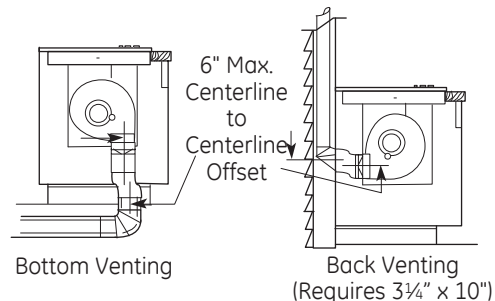


5 BLOWER TO DUCTWORK ALIGNMENT

In general, the use of flexible ducting is discouraged because it can cause severely restricted airflow. However, if the blower outlet and the floor or wall duct location do NOT align well, then flexible METAL ducting can be used to adapt to an offset. Good alignment without use of flexible ducting is best.

NOTE:

- Do not exceed the maximum recommended offset of 6".
- Do not allow the flexible ducting to kink or collapse.
- Do stretch the flexible ducting as much as possible to eliminate as much of the corrugation as possible.



A 3 $\frac{1}{4}$ " x 10" rectangle to 6" round transition duct is available at your local building supply store.

NOTE: Illustrations are for planning purposes only.

Installation Instructions

DESIGN INFORMATION

6 PREPARE FOR DUCTWORK

Determine the best route for ductwork; it can be routed in a variety of ways depending on the kitchen layout.

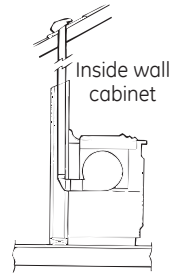
IMPORTANT: The downdraft air discharge outlet for this unit is 31/4" x 10" rectangular. Plan ducting accordingly.

Typical duct arrangement countertop series.

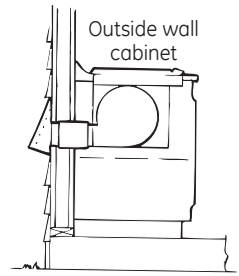
To maximize the ventilation performance of the vent system:

1. Minimize the duct run length and number of transitions and elbows.
2. Maintain a constant duct size.
3. Seal all joints with duct tape to prevent any leaks.
4. Do not use any type of flexible ducting.

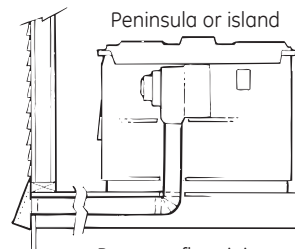
If needed, install any make up (replacement) air system in accordance with local building code requirements. Visit GEAppliances.com for available makeup air solutions.



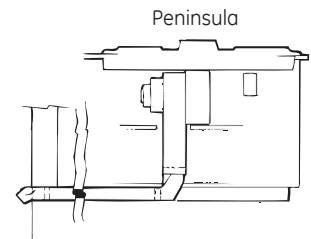
Up inside wall to roof or overhang



Directly to outside



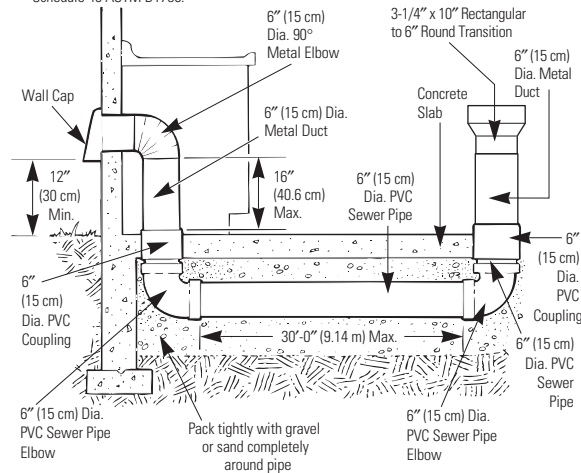
Between floor joists



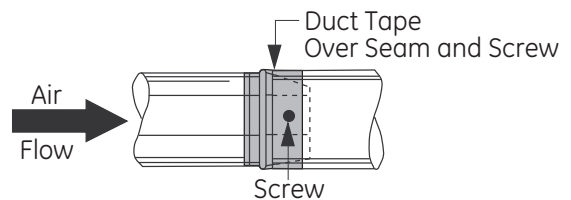
Through cabinet toe space

Optional duct arrangement under concrete slab. PVC duct should be used if installing under a poured concrete slab.

NOTE: PVC sewer pipe type PSM 12454-B Schedule 40 ASTM D1785.



- Install ductwork so the piece of duct nearest the downdraft unit slots INTO the next piece of the duct. Secure the joints with self-tapping screws and apply duct tape around the joints to ensure an airtight seal.



Installation Instructions

POWER SUPPLY LOCATIONS

7 GAS SUPPLY:

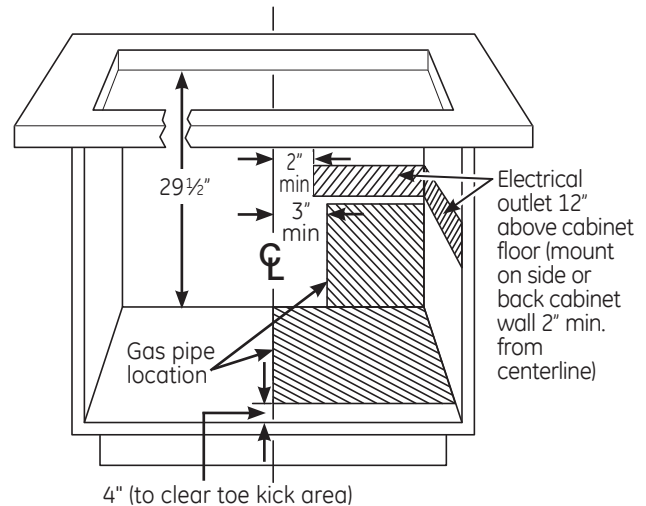
These cooktops are designed to operate on natural gas at 4" of water column pressure or on LP gas at 10" of water column pressure.

- These cooktops are shipped from the factory set for natural gas. If you decide to use this cooktop with LP gas, conversion adjustments must be made by a service technician or other qualified person.
- The pressure regulator must be connected in series with the manifold of the cooktop and must remain in series with the supply line regardless of type of gas being used. For proper operation, the maximum inlet pressure to the regulator must be no more than 10" water column pressure for natural gas and 14" water column pressure for LP gas.
- When checking the regulator, the inlet pressure must be at least 1" greater than the regulator output setting. If the regulator is set for 4" of water column pressure, the inlet pressure must be at least 5". If the regulator is set for 10" of water column pressure, the inlet pressure must be at least 11". For ease of installation, and if local codes permit, the gas supply line into the cooktop should be 1/2" or 3/4" ID flexible metal appliance connector, three to five feet long.

NOTE: Purchase a new flexible line. **DO NOT USE AN OLD PREVIOUSLY USED LINE.**

- Make gas connection through rear wall, or on cabinet floor at rear, as illustrated.

8 ELECTRICAL SUPPLY:



The built-in gas downdraft cooktop features pilotless electric ignition for energy savings and reliability. It operates on a 120-volt, 60-Hz power supply. A separate circuit, protected by a 15-amp time-delay fuse or circuit breaker, is required.

- A properly grounded 3-prong receptacle should be located within reach of cooktop's four foot power cord.

IMPORTANT: (Please read carefully.) FOR PERSONAL SAFETY, THIS APPLIANCE MUST BE PROPERLY GROUNDING.

The power cord of this appliance is equipped with a three-prong (grounding) plug which mates with a standard three-prong grounding wall receptacle to minimize the possibility of electric shock hazard from this appliance. The customer should have the wall receptacle and circuit checked by a qualified electrician to make sure the receptacle is properly grounded and has correct polarity.

Where a standard two-prong wall receptacle is encountered, it is the personal responsibility and obligation of the customer to have it replaced with a properly grounded three-prong wall receptacle.

Do Not, Under Any Circumstances, Cut Or Remove The Third (ground) Prong From The Power Cord.

Do not use an extension cord.

Installation Instructions

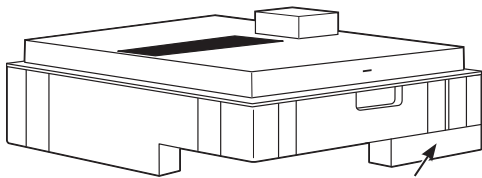
UNPACKING THE COOKTOP/INSTALLING THE GASKET

9 INSTALLING THE FOAM GASKET AND REFLECTIVE TAPE

CAUTION: Potential risk of fire – reflective tape must be secured around countertop opening as shown.

Do not install the cooktop into the countertop without installing the foam gasket as shown. It protects the bottom edge of the glass from the countertop and seals the cooktop against spills.

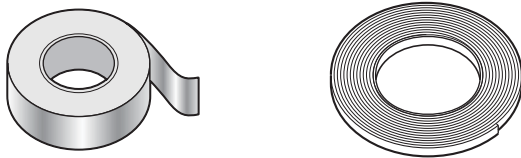
Remove the cooktop along with its shipping pad from the shipping box. Remove the shipping block from the downdraft vent opening and place it under the shipping pad to provide level support.



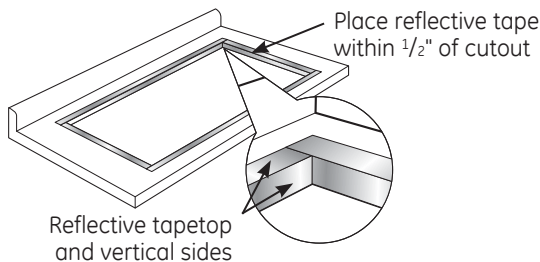
Center vent shipping block – place under the shipping pad to provide level support

CAUTION: GLASS IS FRAGILE. DO NOT BUMP EDGE OF GLASS DURING INSTALLATION.

Locate the reflective tape and foam gasket tape included with your cooktop.



Smooth rough edges of the cutout. Install reflective tape to the opening, along the inside and $\frac{3}{8}$ " to $\frac{1}{2}$ " of the opening edge.



Reflective tapetop and vertical sides

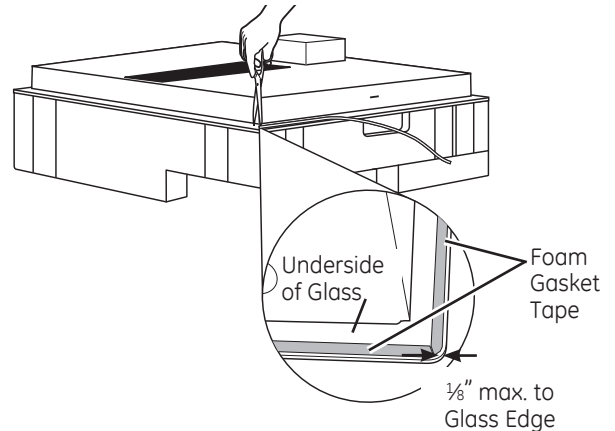
Peel off the white backing to install the foam gasket tape on the bottom side of the cooktop glass as shown.

Foam Gasket Installation Notes:

- The foam gasket tape should be installed within $\frac{1}{8}$ " of the edge of the glass. Do not stretch or twist the foam gasket tape.

CAUTION: Failure to install foam gasket tape greatly increases the potential of breaking the cooktop glass when installing, especially in Corian® or granite countertops.

- Use care not to stretch the foam gasket tape while it is installed or it will not stay in place.
- Do not place foam gasket tape over the metal flanges.
- But the foam gasket tape ends together at each corner without overlapping.
- Trim the foam gasket tape to length without stretching.
- Mitre cut outside corners of foam gasket tape slightly if necessary for appearance.

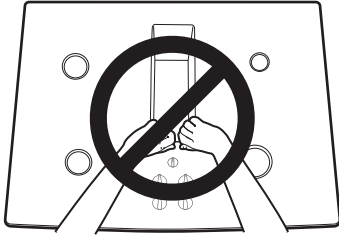


- Do not scratch the glass while cutting the foam gasket tape.

Installation Instructions

INSTALLING THE COOKTOP

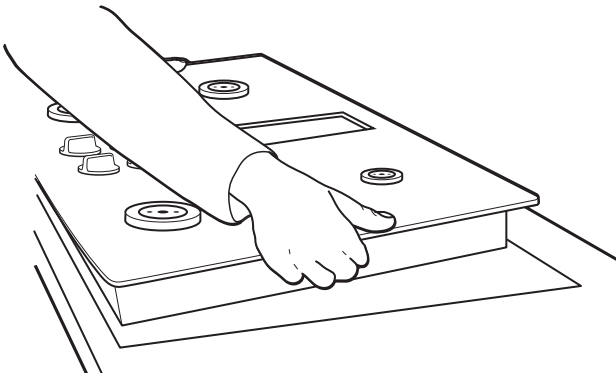
10 INSTALLING THE COOKTOP:



CAUTION:
DO NOT LIFT FROM
VENT OPENING.

Lift the cooktop by the glass side edges as shown.

NOTE: Do not use the glass top vent opening to lift or move the cooktop into position.



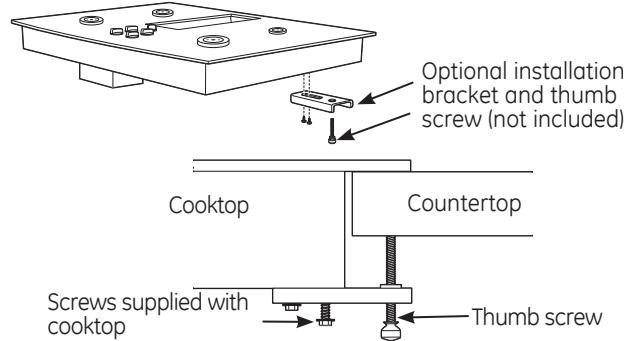
Lower the cooktop into the countertop opening, guiding it into position. Glass is fragile—do not allow it to drop onto the countertop. Support from the underside and lower slowly. Carefully remove your fingers one corner at a time to lower the cooktop into position.

NOTE: Do not use Silicone RTV or caulk to bond cooktop glass to countertop.

Once the unit is placed in countertop; visually inspect the cooktop and counter, appearance or alignment concerns.

11 INSTALLING THE OPTIONAL INSTALLATION BRACKETS

NOTE: Check for glass flatness in Step 9 before installing optional installation brackets.



To order optional installation brackets/thumb screws, call the National Parts Center at 800.626.2002.

Order two of each part: WB02X11331 Bracket
WB01X10353 Screw

To install optional installation brackets:

Remove 2 screws on both sides under cooktop.

Align optional installation bracket under cooktop and reinstall screws through the slot in the bracket. Do this on both sides of the cooktop.

Thread the thumb screw through the hole in the bracket and tighten to secure the cooktop to the countertop. Repeat on the other side.

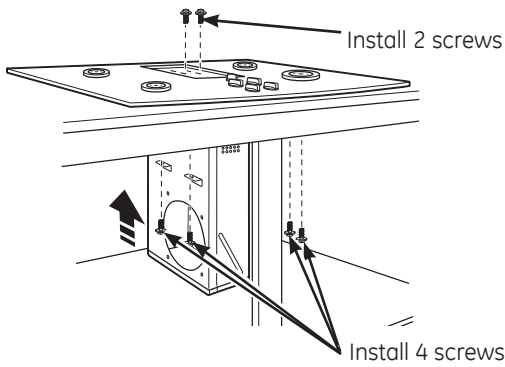
IMPORTANT: Turn thumb screw until it touches the bottom of the countertop. Do not overtighten.

Installation Instructions

INSTALLING THE COOKTOP

12 INSTALLING THE BLOWER PLENUM TO THE COOKTOP

Slide the plenum, with the blower opening on the left, into the opening in the bottom of the cooktop. Push up on the plenum until the stops on the plenum contact the bottom of the cooktop, and snap the plenum into place. (You may have to move the plenum back and forth to work it into place.)

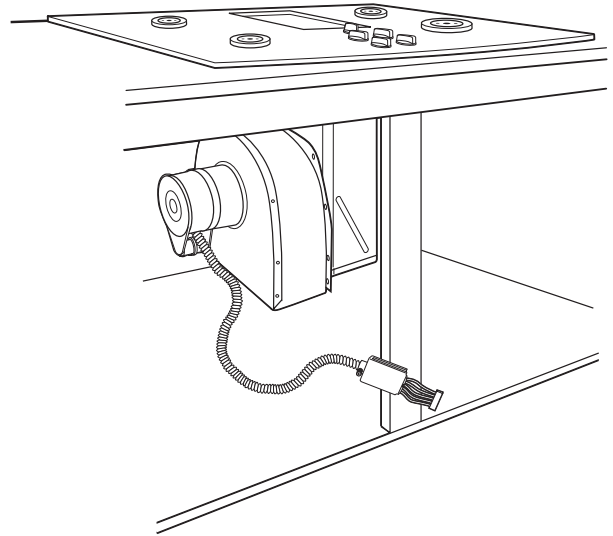


Secure the plenum to the bottom of the cooktop, on each side, using the four (4) screws provided. Further secure the plenum to the cooktop, from the top side, using the two screws (2) provided.

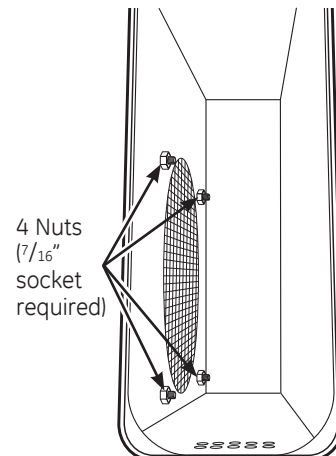
13 INSTALLING THE BLOWER TO THE PLENUM

Orient the blower discharge opening to match the ductwork in Steps 5 and 6. Slide the four threaded studs on the side of the blower housing into the four holes on the side of the plenum.

NOTE: See Step 13 for installing the transition duct to the blower. It may be easier to install the transition duct to the blower before installing the blower to the plenum.



From the vent opening in the top of the cooktop, fasten the blower assembly securely to the plenum with four (4) nuts.

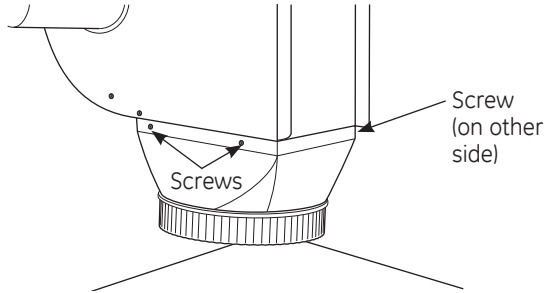


Installation Instructions

INSTALLING THE COOKTOP

14 ATTACHING A BLOWER TRANSITION DUCT

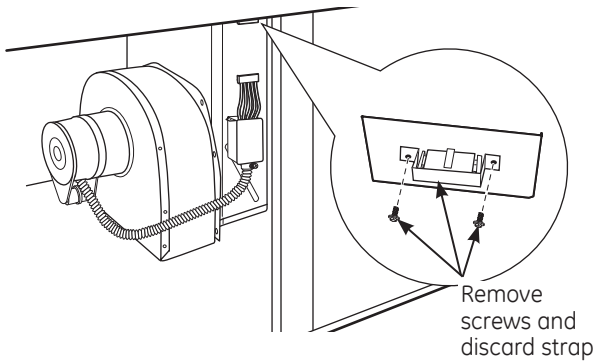
Use a blower transition duct for all downward duct installations to connect to 6" round standard ductwork. This 3¾" x 10" rectangle to 6" round transition duct is available at your local building supply store.



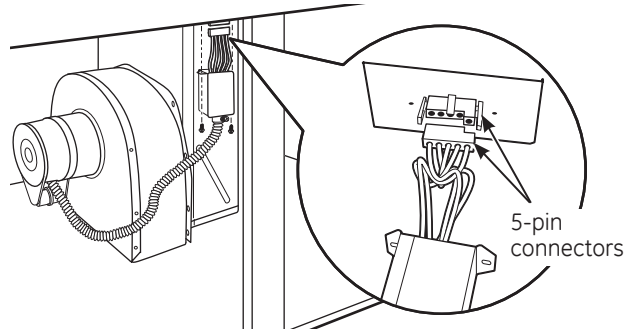
Install the transition duct to the blower outlet. Secure all joints with duct tape to assure an airtight seal.

15 BLOWER ELECTRICAL CONNECTIONS

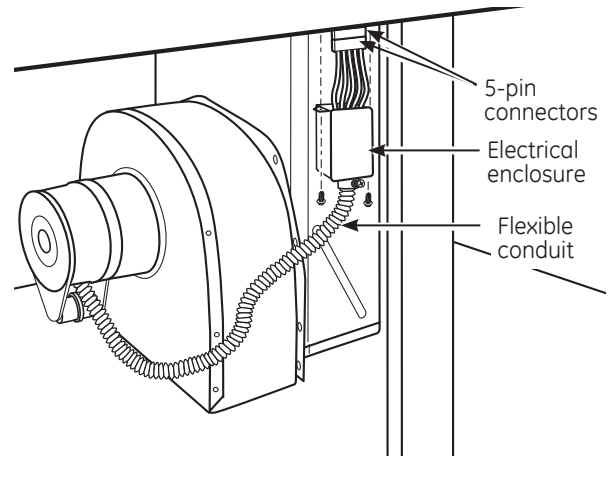
• Loosen the two screws and remove and discard the sheet metal strap covering the 5-pin connector on the cooktop bottom. Save the screws for reinstallation later.



• Connect the 5-pin plug on the blower assembly to the matching 5-pin receptacle on the bottom of the cooktop.



• Fold all wires into the electrical enclosure. Secure the enclosure with the screws removed earlier, making sure that no wires are trapped.



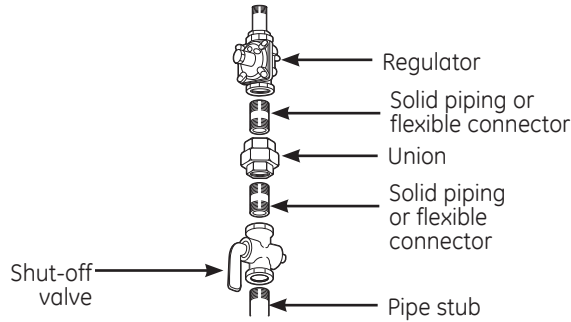
16 CONNECTING THE DUCTWORK

Connect the ductwork prepared in Steps 5 and 6 to the blower.

Installation Instructions

INSTALLING THE COOKTOP

17 INSTALL THE PRESSURE REGULATOR



- For all connections, use a pipe sealant approved by local codes and resistant to the activity of LP gas.
- Install the pressure regulator in the gas line as close to the cooktop inlet as possible to allow clearance for ventilation ducting.
- Make sure the arrow on the body of the regulator is pointing straight up and toward the cooktop. Any other position will affect the output pressure of the regulator. This arrow indicates correct flow of gas.
- Install a manual gas line shut-off valve in an easily accessible location.

NOTE: Instead of using solid piping to connect to pressure regulator, an approved flexible metal appliance connector may be used between the shut-off valve and the pressure regulator, if local codes permit.

Appropriate flare nuts and adapters are required at each end of the flexible connector.

TEST FOR LEAKS

⚠ WARNING: DO NOT USE A FLAME TO CHECK FOR GAS LEAKS! Do not use the cooktop until all connections have been leak tested.

Perform leak test per the following instructions:

1. Purchase a liquid leak detector or prepare a soap solution of one part water, one part liquid detergent.
2. When all connections have been made, make sure all cooktop controls are turned to **OFF** and turn the gas supply valve to **ON**.
3. Apply the liquid leak detector or the soap solution around all connections from the shut-off valve to the cooktop.
4. A leak is identified by a flow of bubbles from the area of the leak.
5. If a leak is detected, turn the gas supply **off**. Tighten the fitting. Turn the gas on and test again.

If the leak persists, turn the gas supply **off** and contact your dealer for assistance. Do not attempt to operate the cooktop if a leak is present.

IMPORTANT: Disconnect the cooktop and the individual shut-off valve from the gas supply piping system during any pressure testing of that system at test pressures greater than 1/2 psig. Isolate the cooktop from the gas supply piping system by closing the individual manual shut-off valve to the cooktop during any pressure testing of the gas supply piping system at test pressures equal to or less than 1/2 psig.

Installation Instructions

INSTALLING THE COOKTOP

18 ELECTRICAL REQUIREMENTS

120-volt, 60-Hertz, properly grounded branch circuit protected by a 15-amp or 20-amp circuit breaker or time-delay fuse.

EXTENSION CORD CAUTIONS

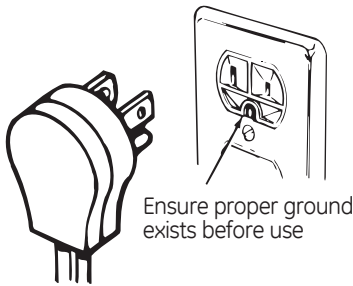
Because of potential safety hazards associated with certain conditions, we strongly recommend against the use of an extension cord. However, if you still elect to use an extension cord, it is absolutely necessary that it be a UL-listed, 3-wire grounding-type appliance extension cord and that the current carrying rating of the cord in amperes be equivalent to, or greater than, the branch circuit rating.

GROUNDING

IMPORTANT — (Please read carefully.)

FOR PERSONAL SAFETY, THIS APPLIANCE MUST BE PROPERLY GROUNDED.

Preferred Method



The power cord of this appliance is equipped with a three-prong (grounding) plug which mates with a standard three-prong grounding wall receptacle to minimize the possibility of electric shock hazard from this appliance.

The customer should have the wall receptacle and circuit checked by a qualified electrician to make sure the receptacle is properly grounded.

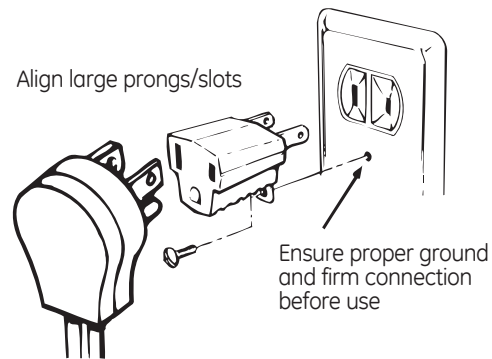
Where a standard two-prong wall receptacle is encountered, it is the personal responsibility and obligation of the customer to have it replaced with a properly grounded three-prong wall receptacle.

DO NOT, UNDER ANY CIRCUMSTANCES, CUT OR REMOVE THE THIRD (GROUND) PRONG FROM THE POWER CORD.

An adapter may be used only on a 15-amp circuit. Do not use an adapter on a 20-amp circuit. Where local codes permit, a **TEMPORARY CONNECTION** may be made to a properly grounded two-prong wall receptacle by the use of a UL-listed adapter, available at most hardware stores. The larger slot in the adapter must be aligned with the larger slot in the wall receptacle to provide proper polarity in the connection of the power cord.

Temporary Method

(Adapter plugs not permitted in Canada)



CAUTION: Attaching the adapter ground terminal to the wall receptacle cover screw does not ground the appliance unless the cover screw is metal, not insulated, and the wall receptacle is grounded through the house wiring. The customer should have the circuit checked by a qualified electrician to make sure the receptacle is properly grounded.

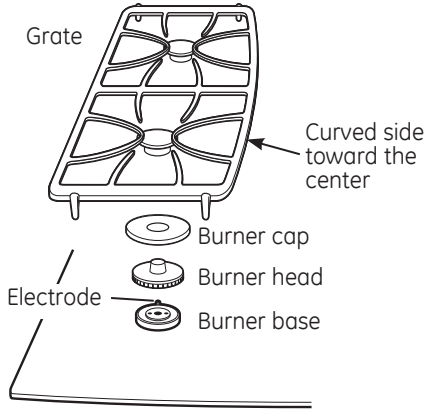
When disconnecting the power cord from the adapter, always hold the adapter with one hand. If this is not done, the adapter ground terminal is very likely to break with repeated use. Should this happen, **DO NOT USE** the appliance until a proper ground has again been established.

Installation Instructions

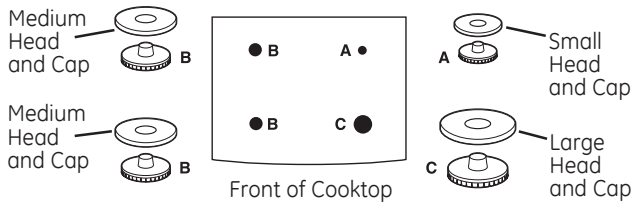
FINAL ASSEMBLY

19 ASSEMBLE BURNERS, CHECK IGNITION

Assemble burner as shown.

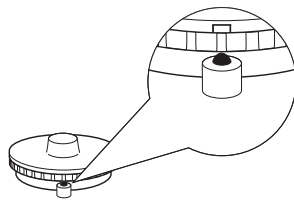


CAUTION: Do not operate the burner without all burner parts in place.



Place the burner heads on the burner bases matching the letters. Place the caps on the heads. Make sure that the heads and caps are placed on the correct size burner. The burner heads and burner bases are labeled A, B and C to aid reassembly. There is one small (A), two medium (B) and one large (C) head and cap.

Make sure the notch in the burner head is positioned toward the electrode. Rotate the burner head around the burner base until it is level and securely seated.



Place the grates over the burners.

Check for proper ignition:

- Push in one control knob and turn to **LITE** position.
- The igniter will spark and the burner will light; the igniter will cease sparking when the burner is lit.
- First test may require some time, while air is flushed out of the gas line.

- Check to determine if your burner flames are normal. If your burner flames look like **A**, turn off the burner and make sure all parts are assembled correctly. Reassemble and check. Normal burner flames should look like **B** or **C** depending on the type of gas you use. With LP gas, some yellow tipping on the outer cones is normal.



A-Yellow flames
Call for service

B-Yellow tips
on outer cones
Normal for LP gas

C-Soft blue
flames Normal
for natural gas

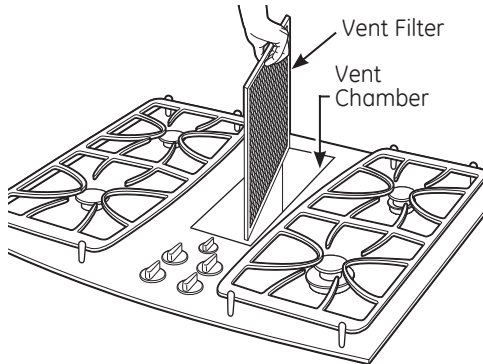
- Turn knob to **OFF**.
- Repeat the procedure for each burner.

FINAL ASSEMBLY

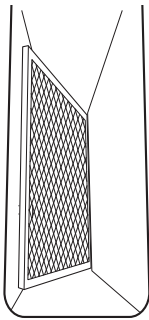
20 INSTALL DOWNDRAFT FILTER, VENT GASKET AND VENT GRILLE

Do not operate the vent without the filter in place.

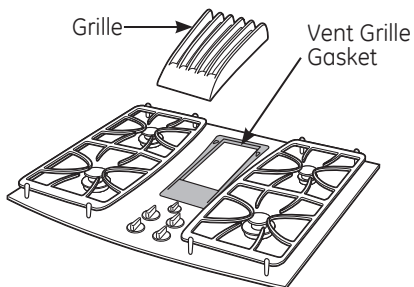
- Place the filter diagonally through the vent opening.



- Make sure it rests, at an angle, on the supports in the vent opening.



- Fit the vent grille gasket around the edge of the downdraft vent opening. Make sure the front of the gasket is installed toward the front of the cooktop.
- Carefully place the vent grille onto the gasket on the downdraft opening.



CHECK OPERATION OF DOWNDRAFT

- Turn the vent fan speed control to **HI**, **MED** and **LO** to make sure all speeds operate correctly.




Notes

Notes

Notes

Troubleshooting tips ... Before you call for service

Save time and money! Review the charts on the following pages first and you may not need to call for service.

Problem	Possible Cause	What To Do
Water won't boil		Cover pan with a lid. Turn the downdraft fan OFF until the water begins to boil.
Burners have yellow or yellow-tipped flames	The combustion quality of burner flames needs to be determined visually.	Use the illustrations below to determine if your burner flames are normal. If burner flames look like A, call for service. Normal burner flames should look like B or C, depending on the type of gas you use. With LP gas, some yellow tipping on outer cones is normal. <div style="display: flex; justify-content: space-around; align-items: flex-start; margin-top: 10px;"> <div style="text-align: center;">  <p>A-Yellow flames Call for service</p> </div> <div style="text-align: center;">  <p>B-Yellow tips on outer cones Normal for LP gas</p> </div> <div style="text-align: center;">  <p>C-Soft blue flames Normal for natural gas</p> </div> </div>
	Burner parts not replaced correctly.	See Care and cleaning of the cooktop section.
Burners do not light	Plug on cooktop is not completely inserted in the electrical outlet.	Make sure electrical plug is plugged into a live, properly grounded outlet.
	Gas supply not connected or turned on.	See the Installation Instructions section.
	A fuse in your home may be blown or the circuit breaker tripped.	Replace the fuse or reset the circuit breaker.
	Igniter orifice in burner body may be clogged.	Remove the obstruction.
	Burner parts not replaced correctly.	See Burner Caps, Heads and Electrodes in the Care and cleaning of the cooktop section.
	Notch in burner head may be clogged.	Use a small sewing needle or paper clip to unplug.
Sparking sound persists after burner is turned off	Be sure the knob is in the OFF position.	Remove knob by pulling it straight off the stem and check the bottom of the knob for any buildup of soil.
Occasional sparking sound	Changing blower speed.	This is a typical electrical switching noise. This is normal.
Burner flames very large or yellow	Improper air to gas ratio.	If cooktop is connected to LP gas, contact the person who installed your cooktop or made the conversion.
	Notch in burner head may be clogged.	Use a small sewing needle or paper clip to unplug.
Burner flames make excessive noise	Burner has not been used recently.	A "cold" burner ignited in the HI setting may have some flame "roar" or "lifting". This should dissipate after 4 to 5 minutes.
Burner flames pulled toward vent grille	Vent fan set at high speed.	This is normal. If cooking performance is affected, change to a lower fan speed setting.

Troubleshooting tips ... Before you call for service

Problem	Possible Cause	What To Do
Control knobs will not turn	Controls improperly set.	To turn from the OFF position, push the knob in and then turn. The knob can only be turned in a counterclockwise direction. When the knob is at any other position, it can be turned in either direction without being pushed in.
Fan does not work	The fan control knob is improperly set.	Turn knob in clockwise direction to turn fan on.
	Cord improperly connected or power turned off.	Check connections. Turn on power at the fuse box.
Poor venting	Clogged filter.	Clean filter per instructions.
	House too airtight.	Open a window slightly to provide fresh air source.
	Wall cap obstructed.	Remove blockage from exterior wall cap.
	Wall cap damper door stuck.	Check exterior wall cap damper door for free movement or obstruction.
	Duct length exceeds recommended 100 equivalent foot maximum.	Reduce number of elbows to simplify duct run.
Tiny scratches or metal marks (may appear as cracks) or abrasions on radiant cooktop glass surface	Incorrect cleaning methods being used.	See the Cleaning the glass cooktop section.
	Cookware with rough bottoms being used or coarse particles (salt or sand) were between the cookware and the surface of the cooktop.	Be sure cookware bottoms and cookware are clean before use. Use cookware with smooth bottoms. Tiny scratches are not removable but will become less visible in time as a result of cleaning.
	Cookware has been slid across the cooktop surface.	
Areas of discoloration or dark streaks on the cooktop	Improper cookware being used.	Marks from aluminum and copper pans as well as mineral deposits from water or food can be removed with the cleaning cream.
	Hot surface on a model with a light-colored cooktop.	This is normal. The surface may appear discolored when it is hot. This is temporary and will disappear as the glass cools.
	Food spillovers not cleaned before next use.	See the Cleaning the glass cooktop section.
	Incorrect cleaning methods being used.	Use recommended cleaning procedures.
Hot sugar mixtures or plastic melted to the surface	Hot cooktop came into contact with these substances.	See the Glass surface—potential for permanent damage section in the Cleaning the glass cooktop section.
Pitting (or indentation) of the cooktop	Hot sugar mixture spilled or plastic melted on the cooktop.	Call a qualified technician for replacement.



Estufa

de gas de ventilación descendente (downdraft)

Información De Seguridad 2

Garantía 8

Asistencia / Piezas y Accesorios 9

Uso de la placa de cocción

Funciones de la Placa de Cocción... 10

Quemadores..... 11

Cómo Usar El Sistema De Ventilación Descendente 12

Cuidado Y Limpieza

Limpieza de la Placa de Cocción... 13

Cómo Limpiar la Estufa de Vidrio... 15

Instrucciones de Instalación.. 17

Consejos para la Solución de Problemas..... 35

Manual del propietario e instalación

PGP9830
PGP989

Escriba el modelo y los números de serie a continuación:

Modelo No: _____

Serie No: _____

Encuentre estos números en una etiqueta debajo de la estufa, en el lado de la cámara de ventilación.

INFORMACIÓN IMPORTANTE DE SEGURIDAD LEA TODAS LAS INSTRUCCIONES ANTES DE USAR

⚠ ADVERTENCIA

Lea todas las instrucciones de seguridad antes de utilizar este producto. No seguir estas instrucciones puede generar un incendio, una descarga eléctrica, lesiones corporales o la muerte.

⚠ ADVERTENCIA: Si no se sigue con precisión la información en este manual, un incendio o explosión puede resultar causando daños a la propiedad, heridas personales o muerte.

- No guarde ni use gasolina u otros vapores o líquidos inflamables cerca de este o cualquier otro aparato.
- **SI HUELE A GAS**
 - No trate de encender ningún aparato.
 - No toque ningún interruptor eléctrico; no use ningún teléfono en su edificio.
 - Llame inmediatamente a su abastecedor de gas del teléfono de su vecino. Siga las instrucciones del abastecedor de gas.
 - Si no puede comunicarse con su abastecedor de gas, llame al cuerpo de bomberos.
- La instalación y el servicio deben ser efectuados por un instalador calificado, la agencia de servicio o el abastecedor de gas.

GAS-FIRED



LISTED

GUARDE ESTAS INSTRUCCIONES

ADVERTENCIA DE LA PROPOSICIÓN 65 DEL ESTADO DE CALIFORNIA

La Ley sobre Agua Potable Inocua y Tratamiento de Residuos Tóxicos de California (California Safe Drinking Water and Toxic Enforcement Act) solicita al Gobernador de California que publique una lista de sustancias que el estado reconoce que producen cáncer, defectos de nacimiento u otros daños reproductivos y solicita a los empresarios que adviertan a sus clientes sobre la posible exposición a tales sustancias.

▲ ADVERTENCIA Este producto contiene uno o más químicos que el Estado de California entiende que producen cáncer, defectos en el nacimiento u otros daños reproductivos.

Los hornos con limpieza automática pueden ocasionar exposiciones de bajo nivel a algunas de estas sustancias, incluyendo monóxido de carbono, durante el ciclo de limpieza. La exposición puede ser minimizada si se ventila con una ventana abierta o si se usa un ventilador o campana.

▲ ADVERTENCIA INSTRUCCIONES GENERALES DE SEGURIDAD

Cuando reciba su estufa pídale al técnico que le muestre la localización de la llave de paso y cómo se cierra en caso de necesidad.

- Su estufa deberá ser instalada y conectada a tierra correctamente por un técnico calificado, de acuerdo a las Instrucciones de instalación. Cualquier ajuste o servicio deberán realizarlo únicamente técnicos calificados en instalación de estufas de gas o técnicos calificados en servicio.
- No trate de reparar o reemplazar cualquier parte de su estufa a menos que se recomiende en forma específica en este manual. Cualquier otro tipo de servicio deberá confiarse a un técnico calificado.
- Coloque la estufa fuera de la ruta del tráfico de la cocina y de las corrientes de aire para evitar un desempeño deficiente de los quemadores.
- Conecte su estufa únicamente a una toma de corriente de 120 voltios que esté conectada a tierra. No quite la pata de conexión a tierra de la clavija. Si tiene alguna duda sobre el sistema eléctrico redondeada de conexión a tierra de su casa, es su responsabilidad y obligación personal cambiar la toma de corriente que no esté conectada a tierra por una toma de corriente adecuada para tres patas que esté conectada a tierra de acuerdo con los requerimientos del Código Eléctrico Nacional. No utilice un cable de extensión para este aparato.
- Permita que las parrillas de los quemadores y otras superficies se enfríen antes de tocarlas o dejarlas donde los niños las puedan alcanzar.
- Asegúrese de quitar todo el material de empaque de la estufa antes de utilizarla para evitar riesgos de incendio o lesiones por fuego o humo en caso de que se incendie el material de empaque.
- Cerciórese de que su estufa sea ajustada correctamente por parte de un técnico de servicio o instalador para el tipo de estufa de gas (gas natural o LP) que su estufa ha de usar. Su estufa se puede convertir para ser usada con cualquiera de los dos tipos de gas. Ver las Instrucciones de instalación en el Kit de Conversión a LP.
- **▲ ADVERTENCIA:** Estos ajustes deben hacerse por un técnico calificado de acuerdo con las instrucciones del fabricante y todos los códigos y requisitos de las autoridades que tengan jurisdicción. No seguir estas instrucciones podría traer como resultado lesiones serias o daño a la propiedad. La agencia calificada que se encuentre ejecutando este trabajo asume la responsabilidad de la conversión.
- No deje a los niños solos o sin atención si la estufa se encuentra caliente o funcionando. Podrían quemarse gravemente.
- No permita que nadie se suba, se pare o se cuelgue de la estufa.
- No opere o limpie su estufa si el vidrio está roto o agrietado. Las soluciones de limpieza y los derrames podrían penetrar la estufa rota y crear el riesgo de un cortocircuito eléctrico. Llame para solicitar servicio inmediatamente si el vidrio de la estufa se rompe o se agrieta.

GUARDE ESTAS INSTRUCCIONES

INFORMACIÓN IMPORTANTE DE SEGURIDAD LEA TODAS LAS INSTRUCCIONES ANTES DE USAR

▲ ADVERTENCIA INSTRUCCIONES GENERALES DE SEGURIDAD

- **▲ PRECAUCION:** No deberán guardarse objetos que puedan ser de interés para los niños en los gabinetes que se encuentran sobre la cubierta. Los niños que se suban a la estufa para alcanzar algún artículo pueden lesionarse gravemente.
 - Siempre mantenga los utensilios de madera o de plástico y los alimentos enlatados a una distancia segura de la estufa.
 - Siempre mantenga las paredes combustibles (que se puedan incendiar), cortinas o cubiertas a una distancia segura de la estufa.
 - No obstruya el flujo de combustión y el aire de la ventilación.
 - La prueba de goteras del electrodoméstico se deberá realizar de acuerdo con las instrucciones del fabricante.
 - Nunca use ropa demasiado floja o que tenga piezas que le cuelguen mientras está usando electrodoméstico. Los materiales inflamables se podrían incendiar si se ponen en contacto con las unidades de superficie calientes y podrían causar quemaduras severas.
 - Enseñe a los niños a no jugar con los controles o cualquier otra parte de la estufa.
- ▲ ADVERTENCIA: NUNCA** use este electrodoméstico como calefactor para calentar la habitación. Hacerlo podría provocar envenenamiento por monóxido de carbono y el sobrecalentamiento del horno.
- Siempre mantenga las toallas de limpiar platos, los guantes de agarrar sartenes calientes y cualquier otro tipo de material que se pueda quemar, a una distancia segura de su estufa.
 - No almacene los materiales inflamables en las proximidades de su estufa.
 - No almacene o use materiales combustibles, gasolina u otros vapores inflamables y líquidos en las proximidades de este o cualquier otro electrodoméstico.
 - No permita que grasa de cocinar u otros materiales inflamables se acumulen sobre la estufa.
 - No opere el quemador sin todas las partes del quemador colocadas en su lugar.
 - No coloque sartenes calientes en el vidrio de la estufa. Esto podría causar que el vidrio se agriete.
 - No limpie la estufa con fluidos de limpieza volátiles o inflamables.
 - No limpie la estufa cuando el electrodoméstico está en uso.
- Evite rasguñar la estufa de vidrio. La estufa puede rasguñarse con objetos como instrumentos filosos, anillos u otras joyas y remaches en ropa o tela.
 - Nunca use una estufa de superficie como una superficie de corte.
 - No use agua sobre fuegos de grasa. Nunca agarre una sartén que se encuentre en llamas. Apague los controles. Ahogue una sartén en llamas sobre una unidad de superficie cubriendo la sartén completamente con una tapa que le encaje bien, con una parrilla de hacer dulces o con una bandeja plana. Use un químico seco multipropósitos o un extintor tipo espuma. La grasa en llamas fuera de una sartén se puede apagar cubriéndola con bicarbonato o, si lo tiene disponible, usando un químico seco multipropósitos o un extintor tipo espuma.
- **▲ ADVERTENCIA:** Para reducir el riesgo de incendio, choque eléctrico o lesiones a las personas, vigile lo siguiente:
 - A. Use esta unidad solamente en la manera en que el fabricante anticipó que se utilice. Si tiene alguna pregunta, póngase en contacto con el fabricante.
 - B. Antes de proporcionar servicio a la unidad, desconecte el suministro eléctrico en el panel de servicio.
 - C. Cuando se encuentre cortando o taladrando en la pared o en el techo, no dañe los alambrados eléctricos u otras utilidades escondidas.
 - D. Los ventiladores conectados a conductos deben siempre estar ventilados hacia el exterior.
 - E. Para reducir el riesgo de incendios, use solamente conductos metálicos.
 - F. No queme alimentos sobre la estufa. Si quema alimentos bajo la campana, encienda el ventilador.
 - G. Es necesario contar con suficiente cantidad de aire para una combustión y salida de gases adecuadas a través del conducto (chimenea) del equipo de consumo de combustible, a fin de evitar descargas. Siga las pautas del fabricante del equipo de calefacción y los estándares de seguridad, tales como aquellos publicados por la Asociación Nacional de Protección contra Incendios (National Fire Protection Association, NFPA), la Sociedad Estadounidense para la Calefacción (American Society for Heating), los Ingenieros de Refrigeración y Acondicionadores de Aire (Refrigeration and Air Conditioning Engineers, ASHRAE) y las autoridades de los códigos locales. Cuando corresponda, instale un sistema de reposición (reemplazo) de aire de acuerdo con los requisitos del código local de construcción". Para acceder a soluciones relacionadas con la reposición de aire, visite GEAppliances.com.

GUARDE ESTAS INSTRUCCIONES

⚠️ ADVERTENCIA INSTRUCCIONES GENERALES DE SEGURIDAD

- **⚠️ ADVERTENCIA:** Para reducir el riesgo de incendio debido a la presencia de grasa en la estufa:
 - A. Mantenga el ventilador, los filtros y la superficies expuestas a aceite limpias.
 - B. Siempre encienda (ON) el ventilador cuando cocine en calor alto.
 - C. Use las selecciones altas en su estufa solamente cuando sea necesario. Caliente los aceites lentamente en selecciones de medias a bajas.
 - D. No deje la estufa sin la atención.
 - E. Siempre use sartenes y utensilios apropiados para el tipo de alimento que se encuentra preparando.
- **⚠️ PRECAUCIÓN:** Para ventilación general solamente. No use para deshacerse de materiales explosivos peligrosos y vapores.

⚠️ ADVERTENCIA UNIDADES DE SUPERFICIE RADIANTE

Sea cuidadoso cuando toque la estufa. La superficie de vidrio de la estufa se mantendrá caliente después de que los controles se hayan apagado.

- Evite rasguñar la estufa de vidrio. La estufa puede rasguñarse con objetos como instrumentos filosos, anillos u otras joyas y remaches en ropa o tela.
- Rasguñaduras grandes o impactos a la estufa de vidrio puede terminar en vidrio roto.
- No opera las unidades de vidrio de la estufa si el vidrio está roto. Derrames o solución de limpieza podría penetrar el vidrio roto y causar riesgos de una descarga eléctrica. Póngase en contacto con un técnico calificado inmediatamente si el vidrio de su estufa se rompe.
- Nunca use una estufa de superficie como una superficie de corte.
- No intente colocar o almacenar artículos que se puedan derretir o encenderse en la superficie de vidrio de la estufa, aún cuando ésta no está siendo usada.
- Sea cuidadoso cuando coloque cucharas u otros utensilios sobre la estufa de superficie de vidrio cuando no esté en uso. Se podrían calentar y causar quemaduras.
- Limpie la estufa con precaución. Si una esponja húmeda o un trapo es usado para limpiar derrames en unidades de superficies calientes, tenga cuidado de evitar quemaduras causadas por el vapor. Algunos limpiadores pueden causar gases nocivos si son aplicados a superficies calientes. **NOTA:** Recomendamos que evite limpiar la superficie de cualquiera de las áreas hasta haberse enfriado y que el indicador se haya apagado. **Los derrames de azúcar son una excepción a esto.** Lea Cómo Limpiar la Superficie de Cocción de Vidrio en la sección de Cuidado y Limpieza.
- Cuando la estufa esté fría, use solamente el limpiador para cerámicas de estufas CERAMA BRYTE® y la almohadilla de limpieza CERAMA BRYTE® para limpiar la estufa.
- Para evitar posibles daños a la superficie de cocinado, no aplique cremas de limpieza cuando la superficie de vidrio esté caliente.
- Después de la limpieza, use un trapo seco o una toalla de papel para remover todos los residuos de la crema de limpieza.
- Lea y siga todas las instrucciones y las advertencias en las etiquetas de la crema de limpieza.

GUARDE ESTAS INSTRUCCIONES

INFORMACIÓN IMPORTANTE DE SEGURIDAD LEA TODAS LAS INSTRUCCIONES ANTES DE USAR

▲ ADVERTENCIA QUEMADORES DE SUPERFICIE

Use sartenes de tamaño apropiado—evite sartenes que no sean estables o que se volteen fácilmente. Seleccione sartenes que tengan el fondo lo suficientemente plano como para cubrir las parrillas. Para evitar derrames, cerciórese que su sartén es lo suficientemente grande para contener sus alimentos. Setos le ahorrará tiempo de limpieza y evitará acumulaciones peligrosas de alimentos, ya que salpiqueos pesados o derrames dejados en la estufa se podrían incendiar. Use sartenes que se puedan agarrar fácilmente y que permanezcan frías.

- Siempre use la posición LITE cuando encienda los quemadores superiores y cerciórese de que los quemadores se han encendido.
- Nunca deje los quemadores de superficie desatendidos en las selecciones altas. Los derrames debido a que un alimento hierva y se derrame podrían causar humo y derrames de grasa que podrían encenderse.
- Use solamente sostenedores de sartenes secos—los húmedos o mojados cuando entran en contacto con superficies calientes podrían causar quemaduras debido al vapor. No deje que los sostenedores de sartenes entren en contacto con las unidades de superficie calientes de la unidad. No use una toalla u otras telas voluminosas. Estas telas se podrían encender al entrar en contacto con las superficies de la unidad.
- Cuando use sartenes de vidrio, cerciórese de que estén diseñados para cocinar en estufas.
- Para minimizar la posibilidad de quemaduras, de ignición de materiales inflamables y de derrames, la manija de la sartén u olla debe voltearse hacia el centro de la estufa sin extenderla sobre cualquier otra unidad de superficie cercana.
- Siempre apague los controles de los quemadores de superficie antes de remover las sartenes.
- Observe con cuidado los alimentos que se encuentra friendo a selecciones de calor altas.
- Siempre caliente grasa lentamente y vigílela mientras se calienta.
- No deje ningún artículo sobre la estufa. El aire caliente de la ventilación podría encender artículos inflamables y aumentará la presión en envases cerrados, que podrían explotar.
- Si se dispone a usar una combinación de aceites y grasas para cocinar, mézclelos antes de calentarlos, o derrita las grasas lentamente.
- No use un wok en la superficie de cocinado si el wok tiene un aro metálico redondo que está colocado sobre la parrilla del quemador para soportar el wok. Este aro actúa como una trampa de calor, la que podría dañar la parrilla del quemador y la cabeza del quemador. Además, éste puede causar que el quemador no funcione apropiadamente. Esto podría causar niveles de monóxido de carbono mayores de los permitidos por los estándares actuales, resultando en un peligro para la salud.
- Los alimentos y las sartenes de freír deberían estar tan secos como sea posible. El hielo y la humedad en comidas frescas pueden causar un derrame de aceite.
- Use poco aceite para una fritura efectiva no muy profunda. Llenar la sartén con demasiado aceite podría causar que ocurran derrames cuando los alimentos sean agregados.
- Use un termómetro de grasa de profundidad siempre que sea posible para prevenir que la grasa se sobrecaliente más allá del punto de inflamación.
- Nunca trate de mover una sartén que contenga grasa caliente, especialmente una sartén que contenga mucha grasa caliente. Espere hasta que la grasa se enfríe.
- No queme alimentos sobre la estufa. Si quema alimentos bajo la campana, encienda el ventilador.

GUARDE ESTAS INSTRUCCIONES

⚠️ ADVERTENCIA QUEMADORES DE SUPERFICIE

Ajuste el tamaño de la llama del quemador de forma que no se extienda más allá del extremo de la pieza de cocina. Las llamas excesivas son peligrosas.

- No deje artículos plásticos sobre la estufa—se podrían derretir si se dejan demasiado cerca de la ventana de ventilación.
- Mantenga todos los objetos de plástico alejados de los quemadores de superficie.
- Si huele gas, suspenda el gas hacia la estufa y llame a un técnico de servicio calificado. Nunca use una llama abierta para localizar una fuga.
- Para evitar la posibilidad de una quemadura, siempre esté seguro de que los controles de todos los quemadores están en la posición de apagado (OFF) y de que todas las parrillas están frías antes de removerlas.
- Nunca limpie la superficie de la estufa cuando está caliente. Algunos limpiadores pueden causar gases nocivos y trapos húmedos podrían causar quemaduras de vapor si son usados en superficies calientes.
- Nunca deje latas o envases de grasa rebosando por los bordes encima o próximo a su estufa.
- No use papel aluminio debajo de las parrillas del quemador. El mal uso podría resultar en peligros de incendios o daños a la estufa.
- No cubra o bloquee el área alrededor de los botones de la estufa. Esta área debe permanecer libre para tener la ventilación apropiada y para el rendimiento del quemador.
- Limpie solamente las partes indicadas en el Manual del propietario.

⚠️ ADVERTENCIA COCINE BIEN LAS CARNES Y LAS CARNES DE AVE

Cocine totalmente las carnes y las carnes de ave—cocine la carne a una temperatura INTERNA de por lo menos 160°F y las carnes de ave a una temperatura INTERNA de 180°F. Cocinar a estas temperaturas generalmente lo protege contra enfermedades contenidas en las carnes.

⚠️ ADVERTENCIA CÓMO CONVERTIR LA ESTUFA A GAS LP (o convertir de vuelta a gas natural de LP)

Esta estufa deja la factoría lista para ser usada con gas natural.

Si usted quiere convertir a gas LP, la conversión debe ser llevada a cabo por un técnico de gas LP calificado.

Las instrucciones de conversión, la etiqueta de conversión y los orificios LP pueden encontrarse pegados en la estufa próximo al regulador de presión.

Existe un segundo juego de instrucciones incluidas en el sobre conteniendo los diagramas de alambrado del producto en el lado de la estufa. Mantenga estas instrucciones en los orificios en caso de que desee convertir la estufa otra vez a gas natural.

GUARDE ESTAS INSTRUCCIONES

¡Gracias! ... por su compra de un electrodoméstico de la Marca GE

Registre su Electrodoméstico: ¡Registre su electrodoméstico nuevo a través de Internet, según su conveniencia!

www.geappliances.com/service_and_support/register/

Un registro puntual de su producto permitirá una mejor comunicación y un servicio más puntual de acuerdo con los términos de su garantía, en caso de surgir la necesidad. También puede enviar una carta en la tarjeta de inscripción pre-impresa que se incluye con el material embalado.

Garantía de la Cocina a Gas de GE

GEAppliances.com

Todo el servicio de garantía es provisto por nuestros Centros de Servicio de Fabricación, o un técnico autorizado de Servicio al Cliente (Customer Care®). Para programar una visita del servicio técnico a través de Internet, visítenos en www.geappliances.com/service_and_support/, o llame al 800.GE.CARES (800.432.2737). Cuando llame para solicitar el servicio, tenga los números de serie y de modelo disponibles.

Para realizar el servicio técnico de su electrodoméstico se podrá requerir el uso de datos del puerto de abordaje para su diagnóstico. Esto da al técnico del servicio de fábrica de GE la habilidad de diagnosticar de forma rápida cualquier problema con su electrodoméstico, y de ayudar a GE a mejorar sus productos al brindarle a GE la información sobre su electrodoméstico. Si no desea que los datos de su electrodoméstico sean enviados a GE, solicitamos que le indique a su técnico no entregar los datos a GE en el momento del servicio.

Durante el período de un año desde la fecha original de compra. GE le brindará cualquier parte de la placa de cocción que falle debido a un defecto en los materiales o la fabricación. Durante esta garantía limitada de un año, GE también proveerá, sin costo, todo el trabajo y el servicio en el hogar relacionado con el reemplazo de la parte que presente defectos.

Qué no cubrirá GE:

- Viajes del técnico del servicio a su hogar para enseñarle sobre cómo usar el producto.
- Instalación, entrega o mantenimiento inadecuados.
- Fallas del producto en caso de abuso, mal uso, modificación o uso para propósitos diferentes al original o uso comercial.
- Reemplazo de fusibles de la casa o reinicio de disyuntores.
- Daños ocasionados sobre el producto por accidente, incendio, inundaciones o catástrofes naturales.
- Daños incidentales o consecuentes causados por posibles defectos sobre este producto.
- Daño causado después de la entrega.
- Producto no accesible para brindar el servicio requerido.
- Solicite el servicio técnico para reparar o reemplazar las lámparas, excepto las lámparas LED.
- Instalación o servicio técnico para sistemas de reposición (reemplazo) de aire.

EXCLUSIÓN DE GARANTÍAS IMPLÍCITAS

Su única y exclusiva alternativa es la reparación del producto, como se indica en la Garantía Limitada. Las garantías implícitas, incluyendo garantías implícitas de comerciabilidad o conveniencia sobre un propósito particular, se limitan a un año o al período más corto permitido por la ley.

Esta garantía se extiende al comprador original y a cualquier dueño subsiguiente de productos comprados para uso hogareño dentro de EE.UU. Si el producto está en un área donde no se encuentra disponible un Proveedor Autorizado del Servicio Técnico de GE, usted será responsable por el costo de un viaje o se podrá requerir que traiga el producto a una ubicación del Servicio Técnico de GE Autorizado para recibir el servicio. En Alaska, la garantía excluye el costo de envío o llamadas del servicio a su hogar.

Algunos estados no permiten la exclusión o limitación de daños fortuitos o consecuentes. Esta garantía le da derechos legales específicos y es posible que tenga otros derechos legales que varían entre un estado y otro. Para conocer cuáles son sus derechos legales, consulte a la oficina de asuntos del consumidor local o estatal o al Fiscal de su estado.

Garante: General Electric Company. Louisville, KY 40225

Garantías Extendidas: Adquiera una garantía extendida de GE y aprenda sobre descuentos especiales que están disponibles mientras su garantía aún está vigente. La puede adquirir en cualquier momento a través de Internet en

www.geappliances.com/service_and_support/shop-for-extended-service-plans.htm

o llamando al 800.626.2224 durante el horario comercial habitual. Los Servicios para el Consumidor Hogareño de GE aún estarán allí cuando su garantía caduque.

¿Desea realizar una consulta o necesita ayuda con su electrodoméstico?

¡Consulte el Sitio Web de Electrodomésticos de GE (www.geappliances.com/service_and_support/) durante las 24 horas, cualquier día del año! Para mayor conveniencia y un servicio más rápido, ahora puede descargar el Manual del Propietario, ordenar piezas o incluso programar el servicio técnico a través de Internet.

Servicio Programado: El servicio de reparación de expertos de GE está a sólo un paso de su puerta. Entre a Internet y programe su servicio en www.geappliances.com/service_and_support/ o llame al 800.GE.CARES (800.432.2737) durante el horario de atención comercial.

Piezas y Accesorios: Aquellas personas calificadas para realizar el servicio técnico sobre sus propios electrodomésticos podrán solicitar el envío de piezas o accesorios directamente a sus hogares (se aceptan las tarjetas VISA; MasterCard y Discover). Ordene a través de Internet hoy, durante las 24 horas o en forma telefónica al 800.626.2002 durante el horario de atención comercial.

Las instrucciones que figuran en este manual cubren los procedimientos que serán realizados por cualquier usuario. Otros servicios técnicos generalmente deberían ser derivados a personal calificado del servicio. Se deberá tener cuidado, ya que una reparación indebida podrá hacer que el funcionamiento no sea seguro.

Estudio de Diseño de la Vida Real: GE apoya el concepto de Diseño Universal en productos, servicios y ambientes que pueden ser usados por personas de todas las edades, tamaños y capacidades. Reconocemos la necesidad de realizar diseños para una amplia gama de habilidades e incapacidades físicas y mentales. Para más detalles sobre las aplicaciones de Diseño Universal de GE, incluyendo ideas de diseño de cocinas para personas con incapacidades, visite nuestro sitio web hoy. Sobre casos de incapacidad auditiva, comuníquese al 800.TDD.GEAC (800.833.4322).

Contáctenos: Si no se encuentra satisfecho con el servicio que recibió de GE, comuníquese con nosotros a través de nuestro sitio web con todos los detalles, incluyendo su número telefónico, o escriba a:

General Manager, Customer Relations
GE Appliances, Appliance Park Louisville, KY 40225

Piezas y Accesorios

Para realizar una orden, visítenos a través de Internet en:

www.GEApplianceParts.com (EE.UU.) o en www.GEAppliances.ca (Canadá)

o llame al **800.626.2002** (EE.UU.) **800.661.1616** (Canadá)

Las siguientes piezas están disponibles:

Piezas

Rejillas de Quemadores de Hierro Forjado (2/pk)	WB31X24784
Rejilla de Ventilación	WB34X24785
Tapa del Quemador del Medio, Frontal Izquierdo y Frontal Derecho	WB29X24783
Tapa del Quemador Trasero Izquierdo Pequeño	WB29X24781
Tapa del Quemador Frontal Izquierdo Grande	WB29X24782
Perilla de Control del Quemador (Blanco)	WB03X10121
Perilla de Control del Quemador (Negro)	WB03X10122
Perillo de Control de Ventilación (Blanco)	WB03X10323
Perillo de Control de Ventilación (Negro)	WB03X10322
Filtro de la Ventilación	WB02X10651
Patas de parrilla de goma	WB02T10101

Accesorios

Kit del Orificio para Altitud Elevada con gas NG	WB28X10114
Kit del Orificio para Altitud Elevada con gas LP	WB28X10115
Orificio Frontal Izquierdo y Frontal Derecho con gas LP	WB06X10277
Orificio Trasero Derecho con gas LP	WB06X10278
Orificio Frontal Derecho con gas LP	WB06X10279

Suministros de Limpieza

Limpiadores de Acero Inoxidable CitriShine	WX10X10007
Limpiador de Electrodomésticos de Acero Inoxidable CERAMA BRYTE®	PM10X311
Almohadillas de Limpieza CERAMA BRYTE® para Placas de Cocción Cerámicas	WX10X350
Limpiador de la Placa de Cocción de Cerámica CERAMA BRYTE®	WX10X300
Espátula para Placa de Cocción Cerámica CERAMA BRYTE®	WX10X0302
Kit (el kit incluye crema y espátula para placa de cocción)	WB64X5027

Cómo Retirar la Película Protectora de Envío y la Cinta de Embalaje

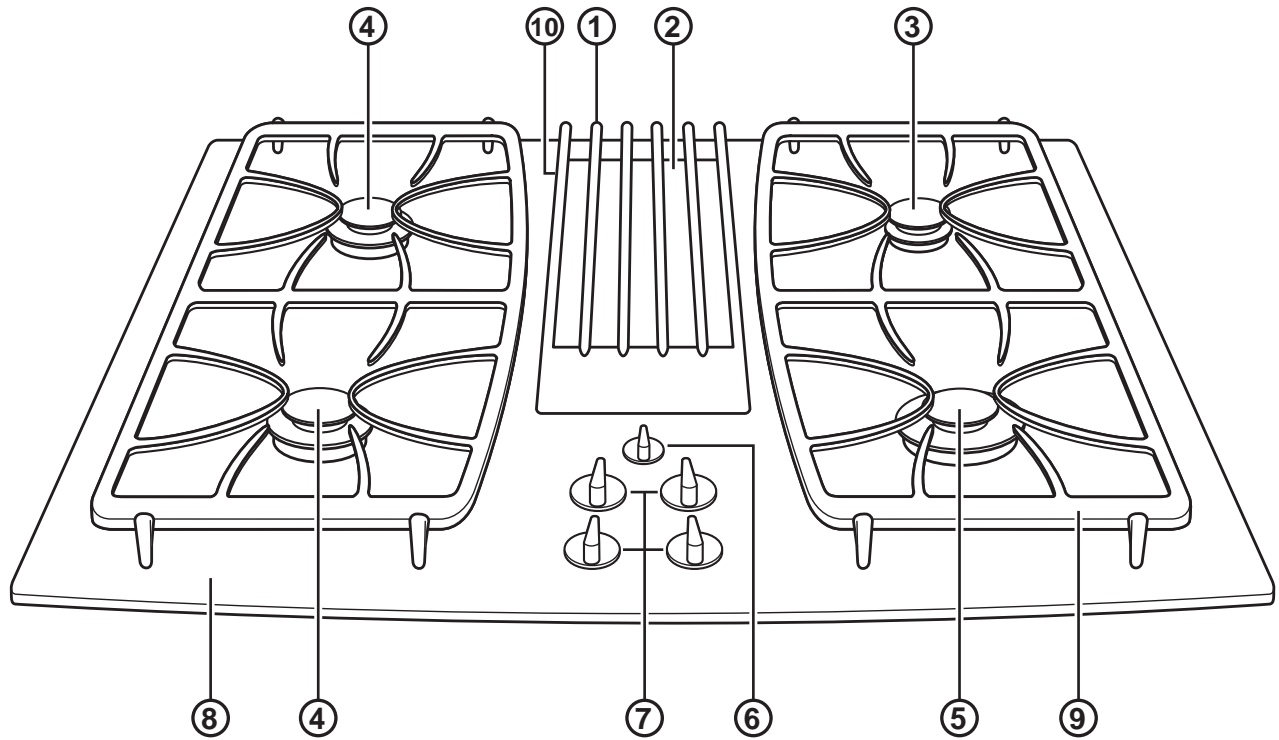
Con cuidado tome un extremo de la película protectora de envío con los dedos y lentamente retire la misma de la superficie del electrodoméstico. No utilice ningún producto filoso para retirar la película. Retire toda la película antes de usar el electrodoméstico por primera vez.

Para asegurar que no haya daños sobre el acabado del producto, la forma más segura de retirar el adhesivo de la cinta de embalaje en electrodomésticos nuevos es aplicando un detergente líquido hogareño para lavar platos. Aplique con una tela suave y deje que se seque.

NOTA: El adhesivo deberá ser eliminado de todas las partes. No se puede retirar si se hornea con éste dentro.

Funciones de la Placa de Cocción

Es posible que las funciones y apariencias varíen con relación a su modelo a lo largo del manual.



1. **Parrilla de ventilación:** Consulte la página 14.
2. **Filtro de ventilación (localizado debajo de la parrilla de ventilación):** Consulte la página 14.
3. **Cocinador a velocidad lenta a prueba de derramaduras:** Consulte la páginas 11 y 13.
4. **Quemadores a prueba de derramaduras:** Consulte la páginas 11 y 13.
5. **Quemador a prueba de derramaduras de alto poder:** Consulte la páginas 11 y 13.
6. **Control de ventilación:** Consulte la página 12.
7. **Controles de quemador de superficie:** Consulte la página 11.
8. **Superficie de cocción de vidrio:** Consulte la páginas 15 y 16.
9. **Parrillas quemadoras de fundición de hierro:** Consulte la página 14.
10. **Junta de la parrilla de ventilación:** Consulte la páginas 14-16.

Quemadores

A través de este manual, las características y la apariencia podría variar de acuerdo al modelo.

Cómo encender un quemador de superficie de gas

Empuje el botón de control hacia abajo girándolo hasta la posición **LITE (ENCENDIDO)**.

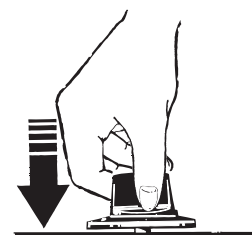
Usted escuchará un pequeño ruido que hace **clic**—el sonido de la chispa eléctrica encendiendo el quemador.

Gire el botón para ajustar el tamaño de la llama. Si el botón permanece en **LITE**, continuará haciendo clic.

Cuando un quemador sea movido a LITE, todos los quemadores chispean. No intente desensamblar o limpiar alrededor de ninguno de los quemadores mientras otro

quemador está encendido. Una descarga eléctrica podría resultar, lo que podría causar que usted voltee la sartén.

Si el quemador no se usó recientemente, es posible que las llamas produzcan un ruido fuerte. Esto es normal, y se debería disipar luego de 4 o 5 minutos.



Empuje el botón de control hacia abajo girándolo hasta la posición **LITE (ENCENDIDO)**.

Quemadores de gas sellados

El quemador más pequeño (posición posterior derecha) le darán los mejores resultados para hervir a fuego lento. Este le ofrece rendimiento de cocción preciso para comidas delicadas, tales como salsas o comidas que necesitan cocinarse en calor lento y bajo. Este puede reducirse a una selección de cocción a fuego lento muy baja.

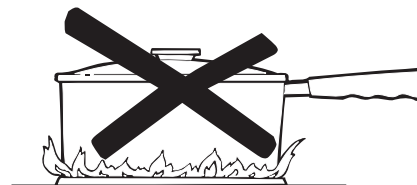
Los otros quemadores tienen mayor poder y harán que los líquidos hiervan mucho más rápidamente, especialmente con el uso de una tapa.

Cómo seleccionar el tamaño de la llama

Para un manejo seguro de sus piezas de cocina o sartenes, nunca permita que las llamas se extiendan más allá de los lados de la sartén.

Vigile las llamas, no el botón, cuando reduzca el calor. El tamaño de la llama en un quemador de gas debe ajustarse a la sartén que se encuentre usando.

Cualquier llama mayor que el fondo de la sartén se está desperdiciando y solamente sirve para calentar la manija de la sartén.



En caso de una interrupción en el suministro eléctrico

En caso de una interrupción en el suministro eléctrico, usted puede encender los quemadores de la superficie de gas de su estufa con un fósforo. Sostenga un fósforo encendido en el quemador, entonces empuje y gire el botón a la posición **LITE**. Use precaución extrema cuando encienda los quemadores de esta forma.

Los quemadores de superficie en uso cuando suceda una interrupción en el suministro eléctrico continuarán operando normalmente.

EN CASO DE UNA INTERRUPCIÓN EN EL SUMINISTRO ELÉCTRICO, EL SISTEMA DE VENTILACIÓN NO OPERARÁ.

Antes de encender un quemador de gas

- Asegúrese que todas las cabezas, tapas y rejillas de los quemadores se encuentren en las ubicaciones adecuadas (lea Tapas, Cabezas y Electrodo de Quemadores en la sección de Cuidado y Limpieza de la Cocina).

Después de encender un quemador de gas

- No opere el quemador por un período de tiempo extendido sin haber colocado una sartén sobre la parrilla. El acabado de la parrilla podría desportillar sin una sartén que absorba el calor.
- Cerciórese de que los quemadores y las parrillas están frías antes de colocar sus manos, un guante de sartenes, un trapo o cualquier otro material sobre ellos.

Quemadores (Cont.)

Use El Wok De Esta Forma

Recomendamos que use un wok de fondo plano, disponible en su ferretería más cercana.

Solamente use woks de fondo planos. No use un wok de fondo aplanado con un sostenedor de woks.

No use un wok de fondo aplanado sobre un aro de soporte. Colocar el aro sobre el quemador o sobre la parrilla podría causar que el quemador no funcione apropiadamente, resultando en niveles de monóxido de carbono más altos que los permitidos por los estándares presentes. Esto podría ser peligroso para su salud.



Use un wok de fondo plano.



Sartenes

Aluminio: Se recomiendan las sartenes de peso medio porque se calientan más rápida y uniformemente. La mayoría de los alimentos se doran uniformemente en una cacerola pequeña con un mango largo de aluminio. Use cacerolas con tapas que ajusten bien cuando cocine con cantidades mínimas de agua.

Acero inoxidable: Este metal solo tiene propiedades de calentamiento pobres y es usualmente combinado con cobre, aluminio u otros metales para mejorar su distribución de calor. Estas cacerolas cuando están fabricadas de una combinación de metales generalmente funcionan satisfactoriamente si se usan con calor medio como el fabricante lo recomienda.

Hierro fundido: Si es calentado lentamente, la mayoría de las cacerolas pequeñas con mangos largos darán resultados satisfactorios.

Piezas de cocina esmaltadas: Bajo algunas condiciones, el esmalte de algunas piezas de cocina podría fundirse. Siga las recomendaciones del fabricante de la sartén para los métodos de cocción.

Vidrio: Hay dos tipos de piezas de cocina de vidrio: aquellos que son para ser usados en horno solamente y aquellos que son para cocinar en estufas (cacerolas, cafeteras o ollas de té). Los conductos de vidrio se calientan muy lentamente.

Vidrio-cerámica a prueba de calor: Puede usarse para hornear o para cocinar en las superficies. Estas conducen el calor muy lentamente y se enfrían muy lentamente. Revise las direcciones del fabricante de estas piezas de cocina para cerciorarse de que las puede usar en una estufa de gas.

Parrillas para la superficie de la estufa

No use parrillas para la superficie de la estufa en su quemador de gas sellado. Si usted usa estas parrillas en el quemador de gas sellado causará una combustión incompleta y podría resultar en la producción de monóxido de carbono en niveles mayores de los permitidos por los estándares actuales. Esto podría ser peligroso para la salud.



Cómo Usar El Sistema De Ventilación Descendente

Como Operar El Sistema De Ventilación Descendente

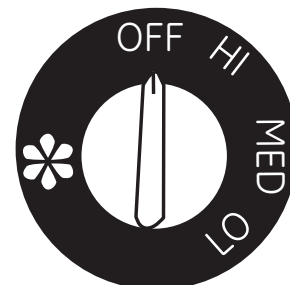
El sistema de ventilación incorporado ayuda a remover los vapores producidos por los alimentos al ser cocinados en la estufa, además de los olores y el humo.

Gire el botón de control de velocidad del ventilador de ventilación a **HI (ALTO)**, **MED (MEDIO)** o **LO (BAJO)**, según sea necesario.

El uso continuo del sistema de ventilación mientras cocina ayuda a mantener la cocina cómoda y menos húmeda, reduciendo los olores de cocina y la humedad que normalmente crea la necesidad frecuente de limpieza.

La apariencia de las llamas del quemador podría ser afectada cuando el ventilador está en operación. En la configuración de velocidad alta del ventilador, es normal que las llamas del quemador se muevan en dirección hacia la rejilla de ventilación. Si la cocción se ve afectada, use una configuración de velocidad inferior del ventilador.

IN CASO DE UNA INTERRUPCIÓN EN EL SUMINISTRO ELÉCTRICO, EL SISTEMA DE VENTILACIÓN NO FUNCIONARÁ.



Limpieza de la Placa de Cocción

Cerciórese de que el suministro eléctrico está suspendido y que todas las superficies están frías antes de limpiar cualquiera de las partes de la estufa.

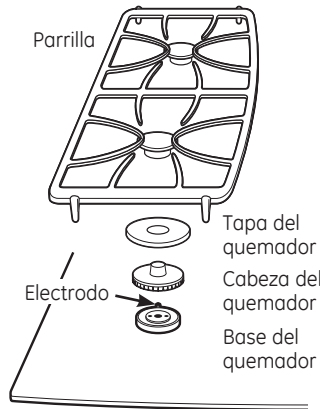
Ensambladuras del quemador sellado

Apague (**OFF**) todos los controles antes de remover las partes del quemador.

Las parrillas del quemador, las tapas y las cabezas del quemador se pueden levantar, lo que hace que su limpieza sea fácil.

PRECAUCIÓN

No opere el quemador sin todas las partes del quemador en su lugar.



Tapas, Cabezas y Electroodos de Quemadores

Tapas del quemador

Levántelas cuando estén frías. Lave las tapas del quemador con agua de jabón caliente y enjuáguela con agua limpia. Usted la puede restregar con un restregador para remover las partículas de comidas quemadas que se le hayan adherido.

Cabezas del quemador

Las rendijas en las cabezas del quemador de su estufa deben mantenerse limpias en todo momento para lograr llamas uniformes y constantes.

Usted debería limpiar los quemadores de la superficie de manera rutinaria, especialmente después de derrames serios, los que podrían obstruir las aberturas. Levante cuando estén fríos.

Lave las cabezas del quemador con agua de jabón caliente y enjuáguela con agua limpia.

Para remover alimentos quemados encima de la estufa, moje la cabeza del quemador en una solución de líquido detergente suave y agua caliente de 20 a 30 minutos. Para manchas más fuertes, use un cepillo. Use una pequeña aguja de coser o un sujetador de papeles para quitar cualquier obstrucción de las hendiduras.

Electrodos

Esta vara de metal pequeña del quemador produce la chispa y se debe mantener limpia y seca para encender el gas de forma adecuada.

Para limpiar los electrodos, use una toalla de papel o un estropajo.

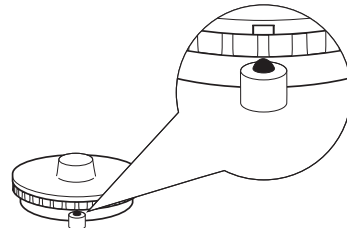
Después de la limpieza

Antes de regresar las tapas y las cabezas de vuelta a su lugar, sacuda el agua excesiva y entonces séquelos cuidadosamente colocándolos en el horno caliente por 30 minutos. Asegúrese que los electrodos se mantengan apoyados sobre la cabeza del quemador.

Reemplazo

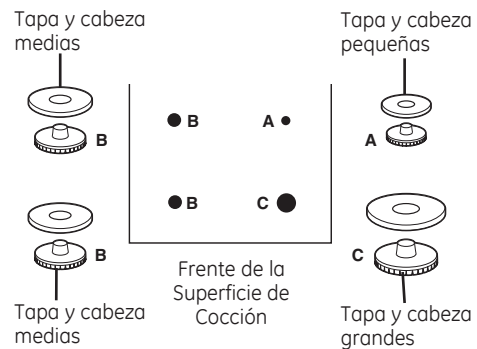
Las cabezas y las bases del quemador están etiquetadas A, B y C para ayudar en la reensambladura.

Reemplace las cabezas del quemador en las bases combinando las letras. Reemplace las tapas sobre las cabezas. Cerciórese de que las tapas y las cabezas son colocadas en el orden correcto. De cada uno hay uno pequeño (A), dos medios (B) y uno grande (C). Si las tapas o cabezas no son reemplazadas en las ubicaciones correctas, es posible que los quemadores no se enciendan ni funcionen correctamente.



Después de la limpieza, cerciórese de que la ranura en la cabeza del quemador está colocada hacia el electrodo. Rote la cabeza del quemador alrededor de la base del quemador hasta que esté nivelada y asentada con seguridad.

NOTA: Antes de remover las tapas y las cabezas del quemador, recuerde su tamaño y localización. Reemplácelas en la misma localización después de la limpieza. Las cabezas del quemador y las bases del quemador están etiquetadas A, B y C para ayudarle en la ensambladura.



Limpieza de la Placa de Cocción

Las Rejillas Del Quemador, La Parrilla De Ventilación y La Junta

Levántelas cuando estén frías. Las rejillas, la parrilla y la junta se deberían lavar de forma regular y, por supuesto, luego de derrames.

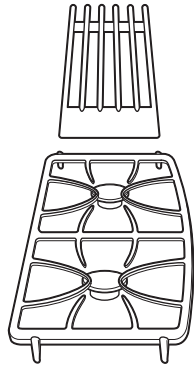
Para limpiarlas, lávelas en agua caliente con jabón y enjuague con agua limpia.

La decoloración en las parrillas podrían también removerse usando la crema de limpieza de estufas proporcionada. Aplique una o dos gotas en un trapo húmedo y restriegue a través del área descolorada. Enjuague y seque. Después de la limpieza, reemplace las parrillas de quemador y cerciórese de que están colocadas con seguridad sobre los quemadores.

Para remover comida quemada encima de la estufa, use una almohadilla con jabón para restregarla.

Aunque son duraderas, las parrillas eventualmente perderán su brillo, sin importar cuánto cuidado usted les proporcione. Este se debe a su exposición continua a altas temperaturas. Usted notará esto con parrillas de colores más claros.

No opere el quemador por un período de tiempo extendido sin haber colocado una sartén sobre la parrilla. El acabado de la parrilla podría desportillar sin una sartén que absorba el calor.



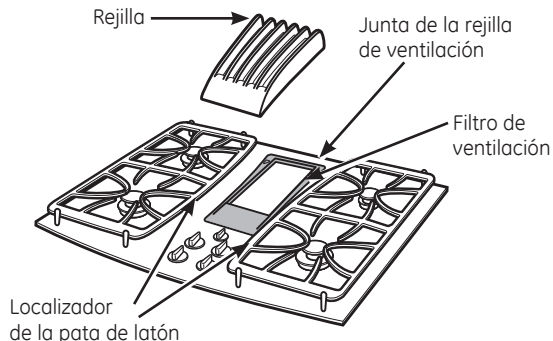
La apariencia podría variar.

Las patas de la parrilla tiene un pie de latón y tres pies de goma. Para ordenar reemplazos de las patas de parrillas de goma, lea las secciones de Asistencia / Piezas y Accesorios.

Reemplazo

Antes de reemplazar la rejilla de ventilación, cerciórese de que la junta de la rejilla está instalada apropiadamente alrededor de la abertura de ventilación descendente, con la palabra FRENTE (FRONT) hacia los botones. Reemplace la rejilla cuidadosamente sobre la junta.

Cuando se encuentre reemplazando parrillas, cerciórese de que están colocadas con su localizador de pata de latón hacia el centro.



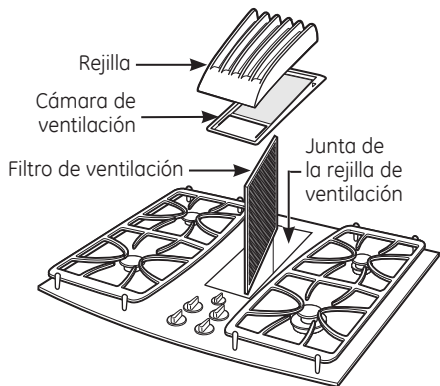
NOTA: No limpie las parrillas, la rejilla o la junta de la rejilla en un horno de limpieza automática.

Las parrillas, rejilla y la junta de la rejilla se pueden limpiar en un lavaplatos.

Cámara y filtro de ventilación

Remueva la rejilla de ventilación y la junta de la rejilla de ventilación. El filtro se mantiene en su lugar por un tope de ángulo. Levante el filtro y extráigalo de la abertura de ventilación diagonalmente.

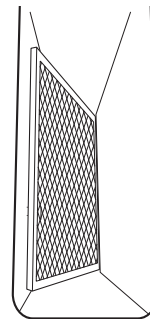
Para limpiar el filtro, agítelo en agua caliente con jabón. Enjuáguelo bien con agua caliente y séquelo cuidadosamente.



Remueva y reemplace el filtro diagonalmente a través de la abertura de ventilación.

Para ordenar filtros de reemplazo, lea las secciones de Asistencia / Piezas y Accesorios.

No opere la ventilación sin el filtro en su lugar.



Cuando reemplace el filtro, cerciórese de que descansa en un ángulo en los apoyos en la abertura de ventilación.

Para limpiar la cámara de ventilación, use agua caliente enjabonada. No use limpiadores abrasivos; dañarán el acabado.

Reemplazo

Reemplace el filtro después de limpiarlo y secarlo. Reemplace la junta de la rejilla de ventilación formándola alrededor de la abertura de ventilación y cerciorándose de que la palabra FRENTE (FRONT) está colocada hacia los botones. Reemplace la rejilla.

Limpieza de la Placa de Cocción

Botones de control

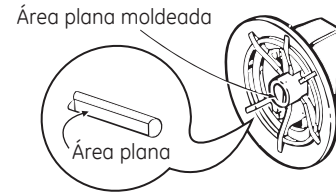
Las perillas de control pueden quitarse para limpiarse.

Para limpiar las perillas, cerciórese de que estén en la posición de apagado (**OFF**). Hale cada perilla hacia fuera del vástago.

Para limpiar las perillas, colóquelos en un lavaplatos o realice la limpieza con agua y jabón. Enjuague con agua limpia.

Asegúrese que los interiores de las perillas estén secos antes de volver a colocarlas.

Cuando reemplace las perillas, revise que estén en la posición de apagado (**OFF**) para garantizar la colocación correcta.



Los botones de control se pueden remover para hacer su limpieza más fácil.

Superficies de Acero Inoxidable (en algunos modelos)

No use virutas de acero; éstas dañarán la superficie.

Para limpiar la superficie de acero inoxidable, use agua tibia con jabón o un limpiador o pulidor para acero inoxidable.

Siempre limpie la superficie en la dirección del veteado. Siga las instrucciones del limpiador para limpiar la superficie de acero inoxidable.

Para realizar consultas sobre la adquisición de productos, incluyendo limpiadores o pulidores para electrodomésticos de acero inoxidable, lea las secciones de Asistencia / Piezas y Accesorios, en el comienzo de este manual.

Cómo Limpiar la Estufa de Vidrio

Limpieza normal de uso diario

SÓLO utilice el limpiador de estufas cerámicas CERAMA BRYTE® en la estufa de vidrio. Otras cremas pueden no ser tan efectivas.

Para mantener y proteger la superficie de su estufa de vidrio, siga estos pasos:

1. Antes de usar la estufa por primera vez, límpiela con el limpiador de estufas cerámicas CERAMA BRYTE®. Esto ayuda a proteger la estufa y hace la limpieza más sencilla.
2. El uso diario del limpiador de estufas cerámicas CERAMA BRYTE® ayudará a que la estufa quede como nueva.
3. Remueva las parrillas del quemador, la rejilla de ventilación y la junta de la rejilla de ventilación.
4. Agite bien la crema de limpieza. Aplique unas gotas del limpiador de estufas cerámicas CERAMA BRYTE® directamente sobre la estufa.

5. Utilice una toalla de papel o un paño de limpieza CERAMA BRYTE® para estufas cerámicas para limpiar toda la superficie de la estufa.
6. Use un paño seco o una toalla de papel para quitar los restos del limpiador. No hace falta enjuagar.

NOTA: Es muy importante que **NO CALIENTE** la estufa hasta que la haya limpiado por completo.



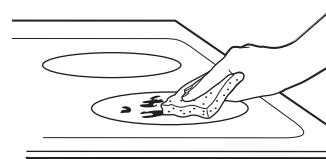
Limpie la estufa después de cada derrame. Utilice el limpiador de estufas cerámicas CERAMA BRYTE®.

Residuos pegados

NOTA: Se podrán producir **DAÑOS** sobre la superficie de vidrio si utiliza estropajos que no sean los recomendados.

1. Deje enfriar la estufa.
2. Remueva las parrillas del quemador, la rejilla de ventilación y la junta de la rejilla de ventilación. Riegue algunas gotas del limpiador de estufas de cerámica CERAMA BRYTE® en el área entera donde se encuentra el residuo.
3. Utilizando el paño de limpieza CERAMA BRYTE® para estufas cerámicas incluido, frote el área sucia aplicando presión según sea necesario.
4. Si quedan restos, repita los pasos indicados con anterioridad.

5. Para protección adicional, después de haber quitado todos los restos, pula toda la superficie con limpiador de estufas cerámicas CERAMA BRYTE® y una toalla de papel.

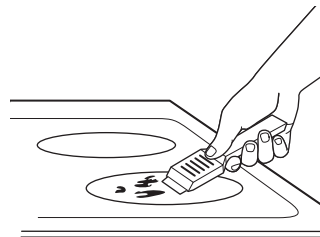


Utilice un paño de limpieza CERAMA BRYTE® para estufas cerámicas.

Cómo Limpiar la Estufa de Vidrio

Residuos pegados rebeldes

1. Deje enfriar la estufa.
2. Remueva las parrillas del quemador, la rejilla de ventilación y la junta de la rejilla de ventilación.
3. Utilice el raspador de filo único a un ángulo aproximado de 45 grados contra la superficie del vidrio y raspe la suciedad. Puede ser necesario aplicar presión al raspador para quitar la suciedad.
4. Después de utilizar el raspador, coloque unas gotas de limpiador de estufas cerámicas CERAMA BRYTE® sobre toda el área de suciedad quemada. Utilice el paño de limpieza CERAMA BRYTE® para quitar la suciedad restante.
5. Para protección adicional, después de haber quitado todos los restos, pula toda la superficie con limpiador de estufas cerámicas CERAMA BRYTE® y una toalla de papel.



El raspador de estufas cerámicas CERAMA BRYTE® y todos los insumos recomendados se encuentran disponibles en nuestro Centro de Repuestos. Lea las secciones de Asistencia / Piezas y Accesorios.

NOTA: No utilice hojas desafiladas o dañadas.

Metal Marks and Scratches

Tenga cuidado de no deslizar ollas o sartenes a través de su estufa. Ellas dejarán marcas sobre la superficie de su estufa.

Estas marcas son removibles usando el limpiador de estufas de cerámica CERAMA BRYTE® con la almohadilla de limpiar estufas de cerámica CERAMA BRYTE®.

NOTA: Con mucho cuidado inspeccione el fondo de las sartenes en búsqueda de protuberancias que puedan rasguñar la estufa.

Daños por derrames azucarados y plástico derretido

Se deberá tener especial cuidado al eliminar sustancias calientes, **a fin de evitar daños permanentes sobre la superficie de vidrio**. Los derrames azucarados (como gelatinas, dulce, caramelo, jarabes) o plásticos derretidos pueden marcar la superficie de la estufa (no cubierto por la garantía) a menos que el derrame se quite mientras está caliente. Debe tenerse mucho cuidado al remover sustancias calientes.

Asegúrese de utilizar un raspador nuevo y afilado.

No utilice hojas desafiladas o dañadas.

1. Apague todas las unidades de superficie. Remueva las sartenes calientes.
2. Utilizando un guante de cocina:
 - a. Use un raspador de filo único (raspador para estufas cerámicas CERAMA BRYTE®) para desplazar el derrame a un área fría de la estufa.
 - b. Quite el derrame con toallas de papel.
3. Cualquier derrame restante debe dejarse hasta que la superficie de la estufa se haya enfriado.
4. No use las unidades de superficie de nuevo hasta que todos los restos se hayan eliminado por completo.

NOTA: Si la superficie de vidrio ya ha sufrido marcas o hendiduras, el vidrio de la estufa deberá cambiarse. En ese caso, será necesaria la atención de un técnico.

Instrucciones de Instalación

Estufa à gas ventilación descendente

PGP9830

[?] "Si tiene alguna pregunta, llame al 800.GE.CARES o visite nuestro sitio Web en: GEAppliances.com"

EN EL ESTADO DE MASSACHUSETTS:

- Este producto lo debe instalar un plomero con licencia o un instalador de gas.
- Al usar válvulas de cierre de gas de tipo esfera, no deben ser del tipo de manija en T.
- Un conector de gas flexible, cuando se utilice, no debe superar los 3 pies.

ANTES DE COMENZAR

Lea estas instrucciones completa y cuidadosamente.

- **IMPORTANTE** – Guarde estas instrucciones para ser usadas por el inspector local.
- **IMPORTANTE** – Observe todos los códigos y ordenanzas aplicables.
- **Nota al instalador** – Cerciórese de dejar estas instrucciones con el Consumidor.
- **Nota al consumidor** – Guarde estas instrucciones para referencia futura.
- A menos que posea un gran nivel de conocimiento sobre la instalación de este producto, contrate a un instalador profesional.
- La instalación apropiada es la responsabilidad del instalador.
- Si este producto falla por una instalación inapropiada, la Garantía no cubrirá este producto.

POR SU SEGURIDAD

Si percibe olor a gas:

1. Abra las ventanas.
2. No toque los interruptores eléctricos.
3. Apague cualquier llama abierta.
4. Llame de inmediato a su abastecedor de gas.

No almacene o use gasolina u otros vapores y líquidos inflamables en la cercanía de este o cualquier otro aparato.

⚠ ADVERTENCIA – Antes de comenzar la instalación, desconecte el interruptor de suministro eléctrico en el panel de servicio y cierre el mecanismo de seguridad para evitar que alguien lo conecte accidentalmente. Cuando no exista un dispositivo de cierre de seguridad, amarre un aviso visible, como una etiqueta al panel de servicio haciendo la advertencia.

HERRAMIENTAS QUE NECESITARÁ

- Sierra
- Cinta adhesiva de conductos
- Cinta métrica o escala
- Escuadra de carpintero
- Llave ajustable o juego de cubos ($7/16$ " cubo de y trinquete)
- Taladradora y broca
- Llave de tuercas de $1/4$ "
- Tornillos para hojas metálicas
- Llave de tubos
- Válvula de cierre de línea de gas manual
- Sello de juntas de tubos que resista la acción de gas LP
- Trabajo de conductos que es apropiado para la instalación

Para conexiones rígidas:

- Válvula de cierre
- Unión
- Accesorios de tubería según sea necesario

Para conexiones flexibles donde los códigos locales lo permitan:

- Tubería metálica flexible (el mismo $3/4$ " ó $1/2$ " I.D. que la línea de gas de suministro)

KIT DE CONVERSIÓN CON ORIFICIO PARA ALTITUD ELEVADA

Se utiliza para el funcionamiento de la cocina en elevaciones que superan los 5000 pies (1500 m).

Especifique si el kit es para Gas Natural o LP al ordenar:

Kit de Conversión con Orificio para Altitud Elevada a gas NaturalWB28X10114

Kit de Conversión con Orificio para Altitud Elevada a gas LPWB28X10115

Para ordenar, llame a nuestro número gratuito:

Centro partes de nacional. 800.626.2002

Instrucciones de Instalación

INSTRUCCIONES DE SEGURIDAD IMPORTANTES

INSTRUCCIONES IMPORTANTES DE SEGURIDAD

La estufa es un diseño que ha sido certificado por la Asociación Norteamericana de Gas. Como sucede con cualquier aparato que utilice gas y genere calor, hay ciertas precauciones de seguridad que debe seguir. Encontrará estas precauciones en la sección *Instrucciones importantes de seguridad* en esta manual. Léala detenidamente.

- Asegúrese de que la estufa sea instalada adecuadamente por un técnico calificado o un técnico en servicio.
- La estufa debe tener conexión a tierra de acuerdo con los códigos locales, o en ausencia de éstos, con el Código Eléctrico Nacional ANSI/NFPA No. 70—última edición.
- La instalación de esta estufa debe realizarse de acuerdo con los códigos locales, o en la ausencia de códigos locales, con el Código de Gas Combustible Nacional. ANSI Z223.1/NFPA 54—última edición.
- La instalación, el ajuste, la alteración, el servicio o mantenimiento incorrectos pueden causar lesiones o daños a la propiedad. Consulte este manual. Para asistencia o información adicional, consulte a un instalador calificado, agente de servicio, fabricante (distribuidor) o al abastecedor de gas.
- Desconecte el suministro eléctrico antes de dar servicio al aparato.
- Nunca reutilice conectores flexibles viejos. Usarlos podría causar fugas de gas y lesiones personales. Siempre use conectores flexibles NUEVOS al instalar un electrodoméstico a gas.
- Asegúrese de que los recubrimientos de las paredes que están alrededor de la estufa resistan el calor generado por la estufa hasta 200 °F (93 °C).
- Evite colocar gabinetes encima de la estufa.
- Si se colocan gabinetes encima de la estufa, permita una tolerancia mínima de 30" entre la superficie de cocción y el fondo del gabinete no protegido.
- Si los gabinetes están colocados por encima de la estufa, use gabinetes de no más de 13" de profundidad.
- Si una tolerancia de 30" entre la superficie de cocina y el material combustible encima de la estufa o los gabinetes metálicos no pueden mantenerse, proteja la parte de abajo de los gabinetes que se encuentran en la parte superior de la estufa con no menos de 14" (6,4 mm) de cartón y aislante o lámina de yeso de al menos 3/16" (4,8 mm), cubierta con una hoja de metal de calibre 28 o de cobre 0,020" (0,5 mm) de espesor.
- La distancia entre la superficie para cocinar y los gabinetes protegidos NUNCA DEBE SER MENOR QUE 24 PULGADAS (61 cm). La distancia vertical desde la superficie para cocinar hasta la parte inferior de los gabinetes adyacentes superiores que se extienden más de 1" (2,5 cm) a los lados del plano de la estufa no debe ser menor de 18" (45,72 cm).

RANGOS DEL SOPLADOR DE ESCAPE

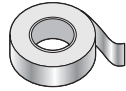
ADVERTENCIA DE SEGURIDAD DEL SOPLADOR DE ESCAPE

Es necesario contar con suficiente cantidad de aire para una combustión y salida de gases adecuadas a través del conducto (chimenea) del equipo de consumo de combustible, a fin de evitar descargas. Siga las pautas del fabricante del equipo de calefacción y los estándares de seguridad, tales como aquellos publicados por la Asociación Nacional de Protección contra Incendios (National Fire Protection Association, NFPA), la Sociedad Estadounidense para la Calefacción (American Society for Heating), los Ingenieros de Refrigeración y Acondicionadores de Aire (Refrigeration and Air Conditioning Engineers, ASHRAE) y las autoridades de los códigos locales. Cuando corresponda, instale un sistema de reposición (reemplazo) de aire de acuerdo con los requisitos del código local de construcción. Para acceder a soluciones relacionadas con la reposición de aire, visite GEAppliances.com.

Instrucciones de Instalación

PARTES INCLUIDAS

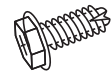
Asegúrese que todos los materiales de empaque y cintas se hayan retirado. Esto incluye cintas sobre las perillas de control (si corresponde), cinta adhesiva, cintas de ajuste, cartón y plástico protector. Si estos materiales no se retiran se puede producir como resultado un daño sobre el electrodoméstico, una vez que el mismo fue encendido y las superficies se calientan.



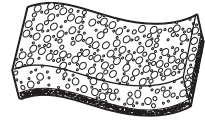
Cinta reflectante



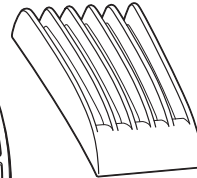
Crema de limpieza



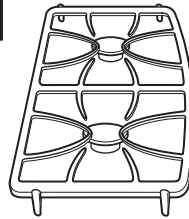
Tornillos para plancha metálica (9) (8-18 x 3/8")



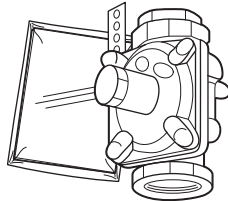
Esponja de restrigue



Rejilla de ventilación



Parrillas del quemador (2)

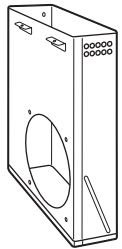


Regulador



⚠ PRECAUCIÓN:
NO LEVANTE POR LA ABERTURA DE VENTILACIÓN O CHOQUE EL VIDRIO

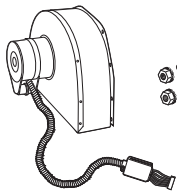
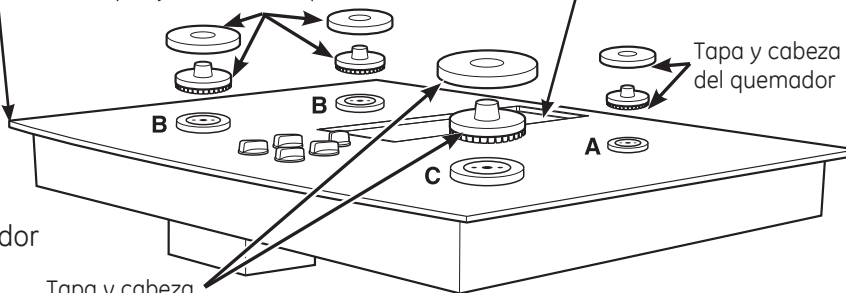
⚠ PRECAUCIÓN:
EL VIDRIO ES FRÁGIL NO CHOQUE LA ESQUINAS DEL VIDRIO DURANTE LA INSTALACIÓN



Cámara del soplador

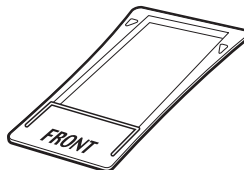
Tapas y cabezas del quemador

Tapa y cabeza del quemador

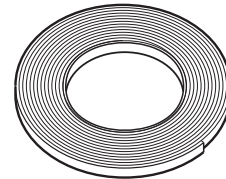


Tapa y cabeza del quemador

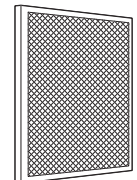
Ensambladura del soplador y tuercas de montaje (4) (10-32 tuercas - con sus arandelas de cierre pegadas)



Junta de la rejilla de ventilación



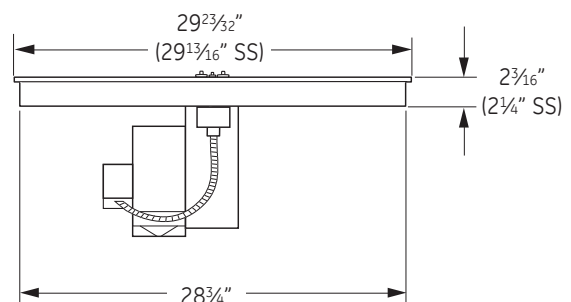
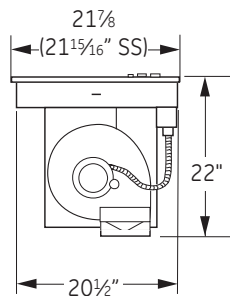
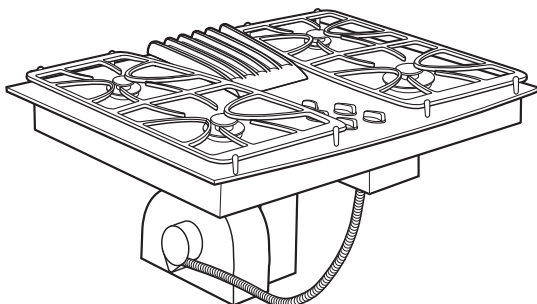
Cinta de junta de espuma



Filtro del ventilador

ESTUFA DE 30" (DIMENSIONES PARA REFERENCIA SOLAMENTE)

La unidad se muestra totalmente ensamblada.



La unidad debe tener ventilación hacia el exterior!

Instrucciones de Instalación

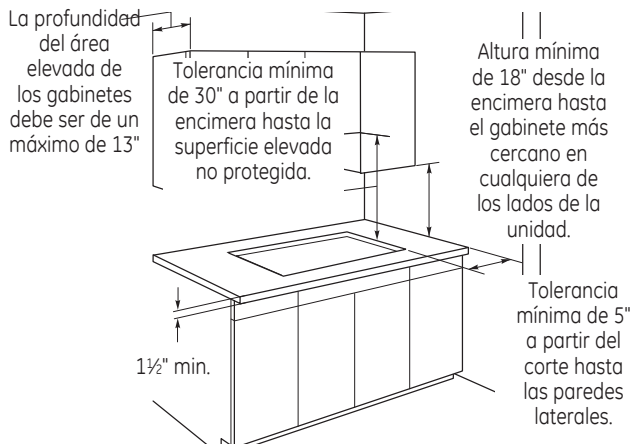
PREPARACIÓN DEL GABINETE

1 PREPARACIÓN PARA LA INSTALACIÓN

Posición de su estufa

La estufa está diseñada para lucir mejor cuando está centrada en un gabinete de por lo menos 30" de ancho.

La ventanilla de escape debajo de la estufa debe estar localizada entre los bajantes de la pared o entre las vigas del piso de forma que el trabajo de conductos pueda ser instalado apropiadamente.



El sistema de ventilación descendente con soplador, motor y trabajo de conductos ocupará el gabinete debajo de la estufa. Usted no debe instalar gavetas debajo de esta estufa.

Evite colocar gabinetes encima de la unidad, si es posible, para reducir los peligros causados por tener que intentar alcanzar sobre unidades de superficie calentadas.

Si se usan gabinetes encima de la estufa, deje una tolerancia mínima de 30" entre la superficie de cocina y el fondo de cualquier gabinete no protegido.

Si la tolerancia entre la estufa y la gabinetes es menor de 30", el gabinete debe protegerse con una plancha retardante de llamas de por lo menos ¼" de grueso, cubierta con una plancha metálica de acero calibre 28 o con una plancha de cobre de 0.020". La tolerancia entre la estufa y la gabinetes protegida **NUNCA DEBE SER MENOR DE 24"**.

EXCEPCIÓN: La instalación de un horno de microondas especificado o de un electrodoméstico de cocina sobre una estufa debe conformarse a las instrucciones de instalación empacadas con ese electrodoméstico.

Áreas de trabajo adyacentes debe mantener una tolerancia por lo menos de 18" entre la encimera y el fondo del gabinete. Si la tolerancia es menor de 18", los gabinetes adyacentes deben ser de por lo menos 5" desde el lado extremo de la estufa.

2 PREPARACIÓN DEL GABINETE DE LA BASE

Esta estufa está diseñada para ajustarse fácilmente en una variedad de gabinetes. Sin embargo, la instalación combinada de una estufa y ventilación descendente requiere consideración cuidadosa.

Algunos gabinetes podrían requerir modificaciones.

Esta instalación requiere un gabinete de base de una profundidad mínima de 24". El gabinete debe ser de por lo menos 30" de ancho.

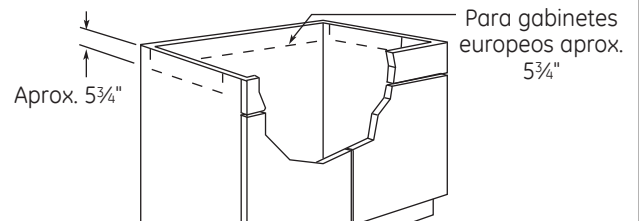
Preparando un gabinete que ajuste contra la pared

En algunos gabinetes, los lados podrían necesitar ser rebajados o cortados 5¾" como se muestra en la figura, y las abrazaderas de las esquinas removidas para acomodar la unidad.

En gabinetes europeos sin forma de 75 cm y 90 cm, el panel posterior podría necesitar ser rebajado hasta 5¾" para acomodar la unidad.

Preparando un gabinete tipo península o tipo isla

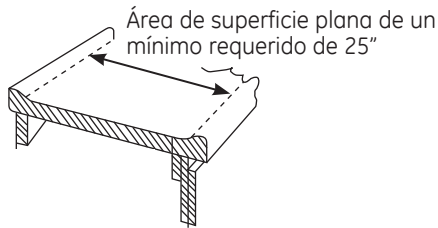
En gabinetes tipo península o isla, los lados podrían necesitar ser rebajados o cortados, y las abrazaderas de las esquinas removidas para acomodar la unidad.



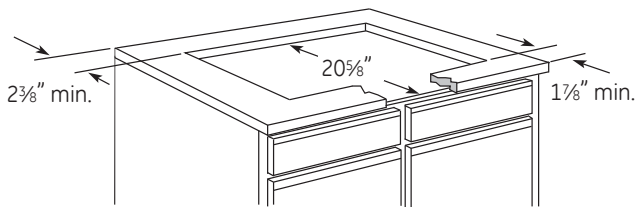
CORTES DE PREPARACIÓN DEL GABINETE

3 PREPARANDO LA ENCIMERA

La encimera debe tener una superficie plana profunda para acomodar la estufa y la ventilación. Las encimeras con un extremo frontal rodado y "backsplash" puede no proporcionar el área de superficie plana requerida.

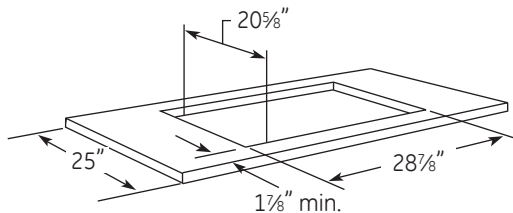


La tolerancia entre el frente interno del gabinete y la parte posterior del corte en la encimera debe ser de $20\frac{5}{8}$ " para poder acomodar la profundidad de la estufa.



Un área plana de $\frac{1}{2}$ " de ancho se requiere alrededor del extremo de la abertura para soportar la unidad. La unidad debe ser nivelada y sentarse derecha en la abertura de la encimera.

Con cuidado corte la abertura de la encimera de acuerdo con las dimensiones mostradas en la ilustración. Cerciñese de que la abertura es cortada derecha, con los lados paralelos entre sí y con la parte posterior exactamente perpendicular a los lados.



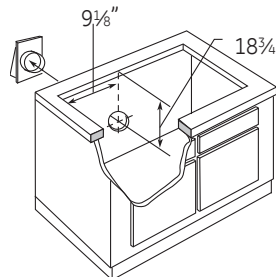
Para la instalación de la isla, deje un espacio mínimo de $1\frac{7}{8}$ " desde la abertura hasta el extremo frontal, un espacio mínimo de $2\frac{3}{8}$ " desde la abertura hasta el extremo trasero, y un espacio mínimo de 5" desde la abertura hasta los extremos laterales de la encimera.

4 PREPARACIONES PARA LOS CONDUCTOS

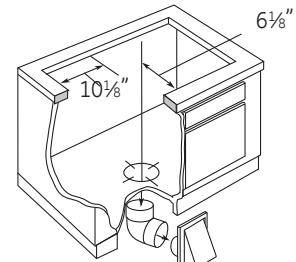
NOTA: El trabajo de conductos DEBE tener ventilación hacia el exterior. NO VENTILE hacia las paredes, techo, esquinas, áticos o cualquier otro lugar cerrado.

Corte un agujero en la pared del gabinete o en el piso del gabinete según sea apropiado para su instalación. Cerciñese de que los tubos de escape están localizados entre los bajantes de la pared o las vigas del piso.

NOTA: Cuando se encuentre cortando o taladrando en la pared o en el techo, no dañe los alambros eléctricos u otras utilidades escondidas. Asegúrese de que cualquier abertura en la pared detrás del electrodoméstico y en el piso debajo del electrodoméstico esté sellada de forma apropiada.



Ventilación de la pared posterior



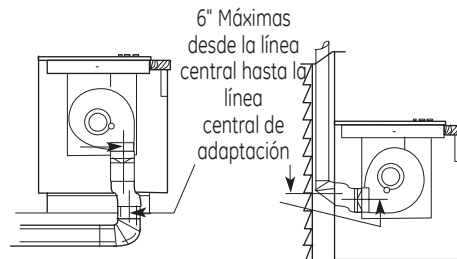
Ventilación vertical

5 ALINEACIÓN DE LOS CONDUCTOS DEL SOPLADOR

En general, no instamos al uso de conductos flexibles porque éste puede causar severas restricciones del flujo de aire. Sin embargo, si la salida del soplador y la localización en la pared o en el piso representa un problema de alineación, entonces usted puede usar conductos METÁLICOS para adaptar la compensación. Un buen centramiento sin necesidad de conductos flexibles es lo preferido.

NOTA:

- No exceda la adaptación máxima recomendada de 6".
- No permita que el conducto flexible se doble o que colapse.
- Alargue el conducto flexible tanto como sea posible para evitar la corrugación tanto como sea posible.



Ventilación de fondo

Ventilación trasera
(Requiere $3\frac{3}{4}$ " x 10")

Un rectángulo de $3\frac{3}{4}$ " x 10" a una transición de conducto redondo de 6" está disponible en su tienda de suministros para construcción local.

NOTA: Las ilustraciones son simplemente para que usted planifique.

Instrucciones de Instalación

INFORMACIÓN SOBRE EL DISEÑO

6 PREPARACIÓN DEL CONDUCTO

Determine el mejor recorrido para el conducto; el mismo puede ser conducido de diferentes formas dependiendo del esquema de la cocina.

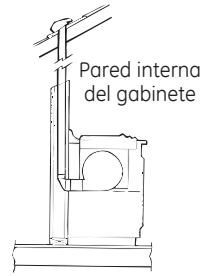
IMPORTANTE: La salida de la descarga de aire descendente para esta unidad es rectangular, y con una medida de 3 1/4" x 10". Planifique el recorrido de forma consecuyente.

Serie de mesadas con distribución típica de tuberías.

A fin de maximizar el rendimiento de la ventilación del sistema de ventilación:

1. Minimice la longitud del conducto y el número de transiciones y codos.
2. Mantenga un tamaño de tubería constante.
3. Selle todas las juntas con cinta para conductos a fin de evitar pérdidas.
4. No utilice tuberías flexibles de ningún tipo.

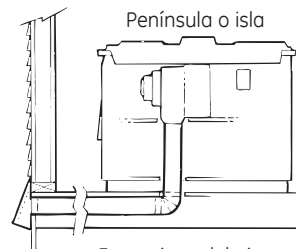
De ser necesario, instale un sistema de reposición (reemplazo) de aire de acuerdo con los requisitos del código local de construcción. Para acceder a soluciones relacionadas con la reposición de aire, visite GEAppliances.com.



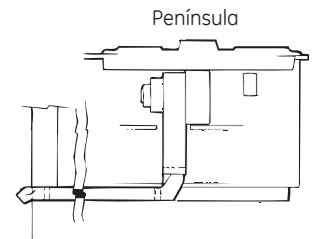
Pared interna hacia arriba hasta el techo o parte saliente



Directamente hacia el exterior



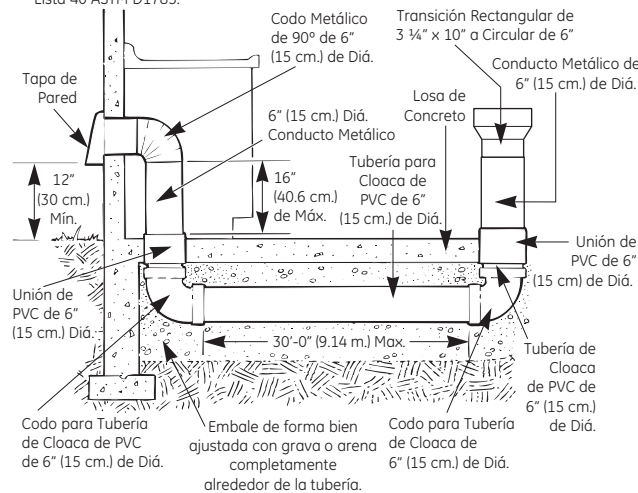
Entre vigas del piso



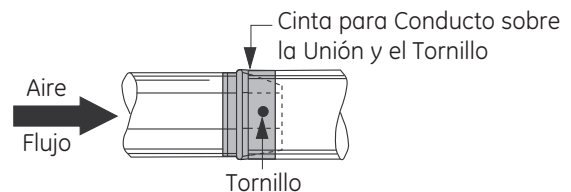
A través del espacio de las patas del gabinete

Arreglo opcional del conducto bajo una losa de concreto Se deberá usar un conducto de PVC si se instalará bajo una losa de concreto.

NOTA: Tubería de PVC tipo cloaca PSM 12454-B
Lista 40 ASTM D1785.



- Instale la tubería de modo que el trozo de conducto más cercano a la unidad descendente encaje DENTRO DE la siguiente pieza del conducto. Asegure las uniones con tornillos autorroscantes y coloque cinta para conductos alrededor de las uniones, a fin de sellar la salida de aire.



LOCALIZACIÓN DEL SUMINISTRO ELÉCTRICO

7 SUMINISTRO DE GAS:

Estas estufas están diseñadas para operar con gas natural a una presión de columna de agua de 4" o en gas LP a una presión de columna de agua de 10".

- Estas estufas son enviadas desde la factoría preparadas para gas natural. Si usted decide usar esta estufa con gas LP, los ajustes de conversión deben ser hechos por un técnico de servicio u otra persona calificada.
- El regulador de presión debe estar conectado en serie con el múltiple o manifold de la estufa y debe permanecer en serie con la línea de suministro sin importar el tipo de gas que se esté usando.

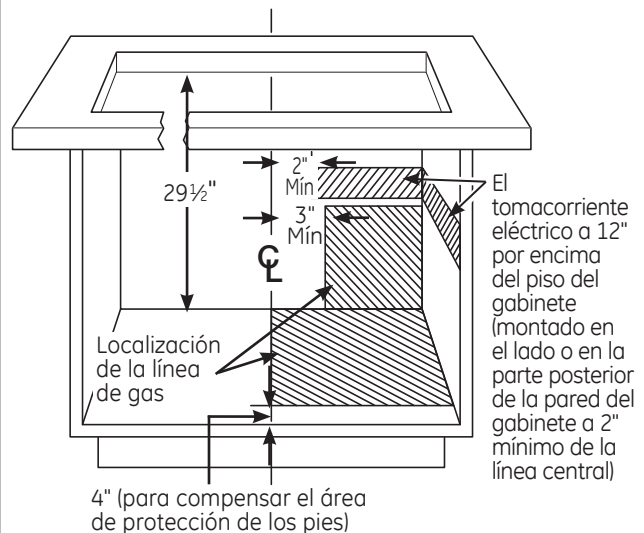
Para una operación apropiada, la presión de entrada máxima hacia al regulador no debe ser mayor de 10" de presión de columna de agua para gas natural y de 14" para gas LP.

- Cuando se encuentre inspeccionando el regulador, la presión de entrada debe ser por lo menos de 1" mayor que la del ajuste de salida del regulador. Si el regulador está ajustado para una presión de columna de agua de 4", la presión de entrada debe ser de por lo menos 5". Si el regulador está ajustado para una presión de columna de agua de 10", la presión de entrada debe ser de por lo menos 11". Para facilitar la instalación, y si los códigos locales lo permiten, la línea de suministro de gas hacia la estufa debe contar con un conector de electrodomésticos de metal flexible de 1/2" ó 3/4" ID, de tres a cuatro pies de longitud.

NOTA: Compre una línea flexible nueva. **NO USE UNA LÍNEA USADA ANTERIORMENTE.**

- Haga la conexión de gas a través de la pared posterior, o a través el piso del gabinete en la parte posterior, como se ilustra.

8 SUMINISTRO ELÉCTRICO:



La estufa de gas con ventilación descendente incorporada tiene una ignición eléctrica sin piloto para ahorro de energía y confiabilidad. Funciona con un suministro energético de 60-Hz, 120 voltios. Un circuito separado protegido por un fusible de dilatación de tiempo de 15 amperios o un interruptor de circuito es necesario.

- Un receptáculo de tres clavijas conectado a tierra debe estar localizado al alcance del cable eléctrico de cuatro pies de la estufa.

IMPORTANTE: (Por favor lea cuidadosamente.) EN POS DE LA SEGURIDAD PERSONAL, ESTE ELECTRODOMÉSTICO DEBE ESTAR CONECTADO A TIERRA.

El cable eléctrico de este electrodoméstico está equipado con un enchufe de tres clavijas (conexión a tierra) que encajan con el receptáculo estándar de la pared de tres clavijas para minimizar la posibilidad del peligro de una descarga eléctrica en este electrodoméstico. El cliente debe hacer que un técnico inspeccione el enchufe y el circuito para cerciorarse de que están conectados apropiadamente a tierra y de que tienen la polaridad correcta.

Donde se encuentre un enchufe de dos clavijas, es responsabilidad y obligación personal del cliente hacer que este enchufe sea reemplazado por uno de tres clavijas apropiadamente conectado a tierra.

Bajo ninguna circunstancia corte o remueva la tercer clavija del cable eléctrico. ¡No lo haga!

No use un cable de extensión.

Instrucciones de Instalación

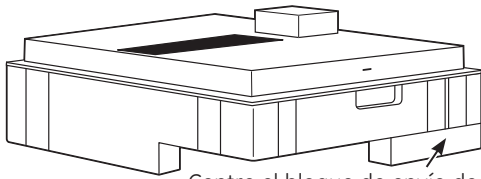
CÓMO DESEMPACAR LA ESTUFA / INSTALAR LA JUNTA

9 CÓMO INSTALAR LA JUNTA DE ESPUMA Y CINTA REFLECTANTE

⚠ PRECAUCIÓN: Riesgo potencial de incendio. La cinta reflectante se debe asegurar alrededor de la apertura en la encimera como se muestra.

No instale la estufa en la encimera sin haber instalado la junta de espuma como se muestra. Esta protege el extremo inferior del vidrio de la encimera y sella la estufa contra derrames.

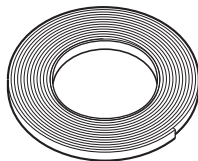
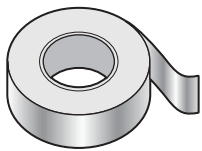
Remueva la estufa junto a sus almohadillas de empaque de la caja de envío. Remueva el bloque de envío de la abertura de ventilación descendente (downdraft) y colóquela debajo de la almohadilla de envío para proporcionar apoyo de nivel.



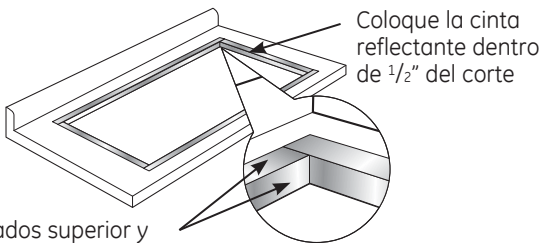
Centre el bloque de envío de la ventilación debajo de la almohadilla de envío para proporcionar apoyo de nivel.

⚠ PRECAUCIÓN: EL VIDRIO ES FRÁGIL. NO GOLPEE LOS EXTREMOS DEL VIDRIO DURANTE LA INSTALACIÓN.

Localice cinta reflectante y cinta de junta de espuma incluida con su estufa.



Pula los extremos ásperos en el corte. Instale la cinta reflectante en la apertura, a lo largo del interior y de $\frac{3}{8}$ " a $\frac{1}{2}$ " del extremo de la apertura.



Coloque la cinta reflectante dentro de $\frac{1}{2}$ " del corte

Lados superior y vertical de la cinta reflectante

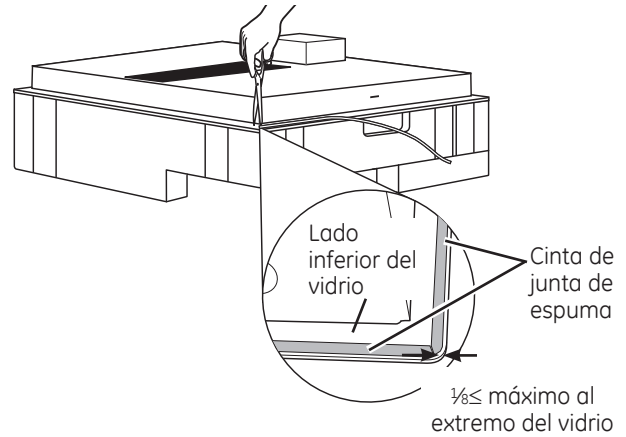
Pele la parte posterior blanca para instalar la cinta de la junta de espuma en el lado del fondo del vidrio de la estufa como se muestra.

Notas sobre la instalación de la junta de espuma:

• La cinta de junta de espuma debería ser instalada dentro de $\frac{1}{8}$ " del extremo del vidrio. No alargue o doble la cinta de junta de espuma.

⚠ PRECAUCIÓN: No instalar la cinta de junta de espuma aumenta el potencia de que el vidrio de la estufa se rompa cuando se esté instalando, especialmente en encimeras Corian® o de granito.

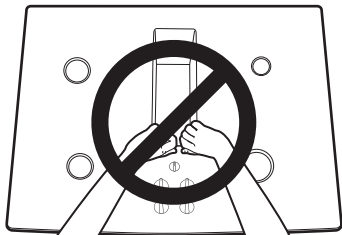
- Use cuidado extremo de no alargar la cinta de junta de espuma mientras la instala o no permanecerá en su lugar.
- No coloque la cinta de junta de espuma sobre los bordes metálicos.
- Empalme los extremos de la cinta de junta de espuma en cada esquina sin que una quede encima de la otra.
- Cubra todo el marco con la cinta de junta de espuma sin alargarla.
- Corte las esquinas externas de la cinta de junta de espuma ligeramente si fuera necesario para que luzca bien.



- No rasguñe el vidrio mientras corta la cinta de junta de espuma.

CÓMO INSTALAR LA ESTUFA

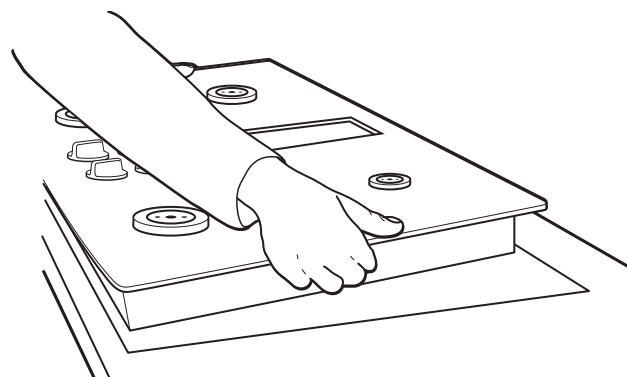
10 CÓMO INSTALAR LA ESTUFA



PRECAUCIÓN:
NO LEVANTE POR
LA ABERTURA DE
VENTILACIÓN.

Levante la estufa por los extremos del lado del vidrio como se muestra.

NOTA: No use la abertura de ventilación para levantar o mover la estufa de posición.



Baje la estufa hacia la abertura en la encimera, guiándola hasta llegar a su posición. El vidrio es frágil—no permita que se caiga sobre la encimera. Apoye desde el lado inferior y baje con cuidado.

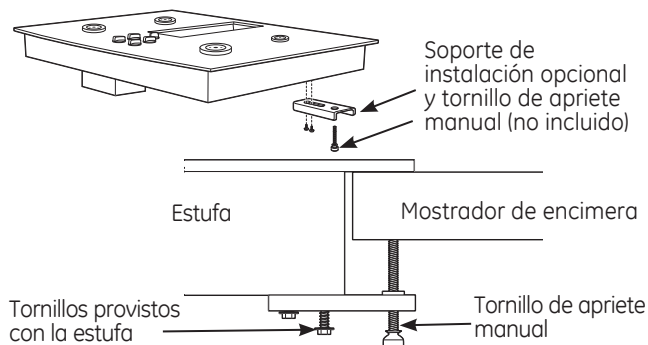
Cuidadosamente remueva sus dedos de una esquina a la vez para bajar la estufa hasta su posición.

NOTA: No use RTV de silicona o masilla para unir el vidrio de la estufa a la encimera.

Una vez ubicada la unidad en la mesada, inspeccione visualmente el aspecto o la alineación de la superficie de cocción y la mesada.

11 CÓMO COLOCAR LOS SOPORTES DE INSTALACIÓN OPCIONALES

NOTA: Verifique que el vidrio esté plano en el paso 9 antes de colocar los soportes de instalación opcionales.



Para solicitar soportes de instalación opcionales/tornillos de apriete, llame al Centro Nacional de Piezas al 800.626.2002.

Solicite dos de cada pieza: WB02X11331 Soporte
WB01X10353 Tornillo

Para colocar soportes de instalación opcionales:
Quite los 2 tornillos a ambos lados bajo la estufa.

Alinee el soporte de instalación opcional bajo la estufa y reinstale los tornillos a través de la ranura del soporte.

Haga esto en ambos lados de la estufa.

Introduzca el tornillo de apriete a través del orificio del soporte y ajuste para fijar la estufa al mostrador de encimera. Repita en el otro lado.

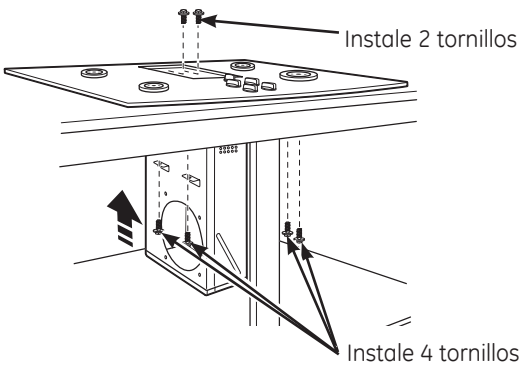
IMPORTANTE: Gire el tornillo de apriete hasta que toque la parte inferior de la estufa. No ajuste de más.

Instrucciones de Instalación

CÓMO INSTALAR LA ESTUFA

12 CÓMO INSTALAR LA CÁMARA DEL SOPLADOR DE LA ESTUFA

Deslice la cámara, con la abertura del soplador del lado izquierdo, en la abertura en el fondo de la estufa. Empuje la cámara hasta que se detenga cuando la cámara haga contacto con el fondo de la estufa, y la cámara encaje en su lugar. (Es posible que usted tenga que mover la cámara hacia adelante y hacia atrás para encontrar su lugar exacto.)

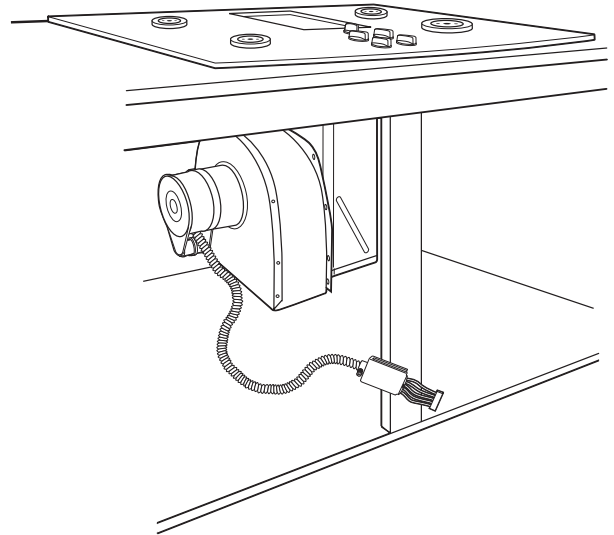


Asegure la cámara al fondo de la estufa, en cada lado, usando los cuatro (4) tornillos proporcionados. Luego asegure la cámara a la estufa, a partir del lado superior, usando los dos (2) tornillos proporcionados.

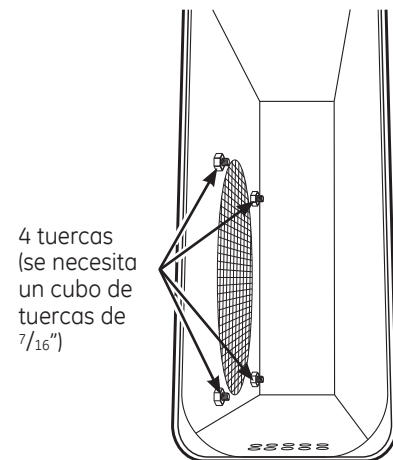
13 CÓMO INSTALAR LA CÁMARA DEL SOPLADOR

Orienté la abertura de descarga del soplador hasta que iguale el conducto en los Pasos 5 y 6. Deslice las cuatro tachuelas roscadas en el lado del alojamiento del soplador en los cuatro agujeros en el lado de la cámara.

NOTA: Ver el Paso 13 para la instalación del conducto de transición del soplador. Es posible que sea más fácil instalar el conducto de transición al soplador antes de instalar el soplador a la cámara.



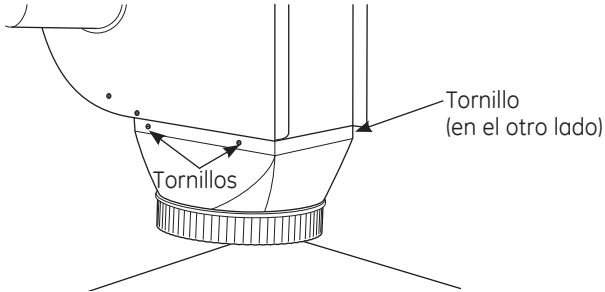
A partir de la abertura de ventilación en la parte superior de la estufa, apriete la ensambladura del soplador de manera firme a la cámara con cuatro (4) tuercas.



CÓMO INSTALAR LA ESTUFA

14 CÓMO PEGAR UNA TRANSICIÓN DE SOPLADOR

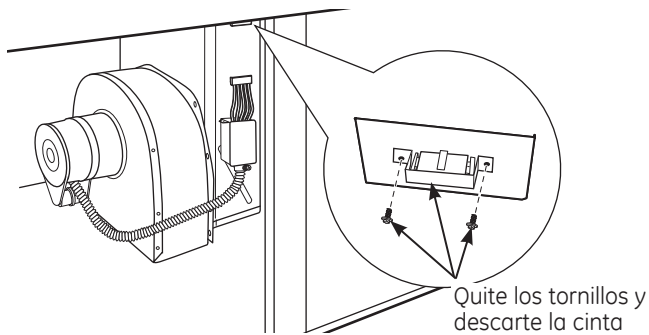
Use un conducto de transición de soplador para todas las instalaciones de conductos de flujo de aire descendente para conectar las piezas de conducto de 6" redondas. Este rectángulo de 3¼" x 10" a conducto de 6" redondo de transición está disponible en su ferretería local.



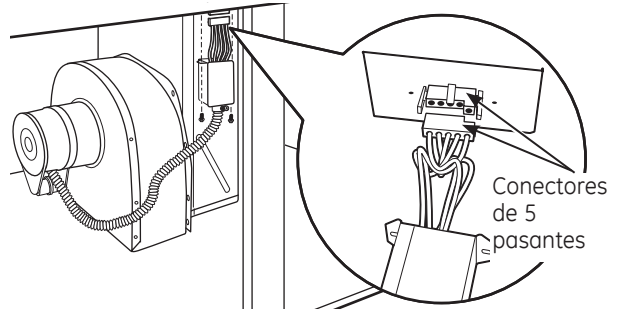
Instale el conducto de transición a la salida del soplador. Asegure toda las juntas con cinta adhesiva de conducto para asegurar hermeticidad.

15 CONEXIONES ELÉCTRICAS DEL SOPLADOR

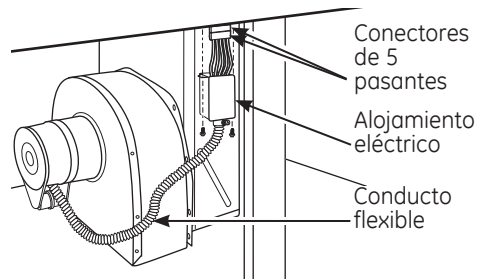
• Afloje los dos tornillos y remueva y descarte la cubierta del conector metálico en el fondo de la estufa. Guarde los tornillos para la reinstalación que vendrá más tarde.



• Conecte el tapón de 5 pasadores en la ensambladura para combinar con el receptáculo de 5 pasadores en el fondo de la estufa.



• Doble todos los alambres en el alojamiento eléctrico. Asegure el alojamiento con los tornillos removidos anteriormente, cerciorándose de que no quedaron alambres atrapados.



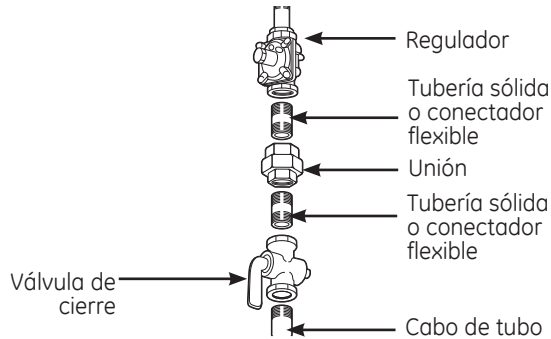
16 CÓMO CONECTAR LOS CONDUCTOS

Conecte la tubería preparada en los Pasos 5 y 6 al extractor.

Instrucciones de Instalación

CÓMO INSTALAR LA ESTUFA

17 INSTALACIÓN DEL REGULADOR DE PRESIÓN



- Para todas las conexiones, use un sellador para tubos aprobado por los códigos locales y que sea resistente a la actividad del gas LP.
- Instale el regulador de presión en la tubería de gas lo más cerca posible de la entrada de la cocina para permitir el despeje del conducto de ventilación.
- Asegúrese que la flecha sobre el cuerpo del regulador esté apuntando en forma directa hacia la cocina. Cualquier otra posición afectará la presión de salida del regulador. Esta flecha indica que el flujo de gas es correcto.
- Instale una válvula de cierre manual de la tubería de gas en una ubicación de fácil acceso.

NOTA: En vez de usar tubería sólida para conectar el regulador de presión, un conectador de electrodomésticos metálico flexible podría usarse entre la válvula de cierre y el regulador de presión, si los códigos locales lo permiten.

Se requieren tuercas abocinadas apropiadas y adaptadores en cada extremo del conectador flexible.

PRUEBA DE FUGAS

⚠ ADVERTENCIA: ¡NO USE UNA LLAMA PARA PROBAR SI EXISTE ALGUNA FUGA DE GAS! No use la estufa hasta que todas las conexiones hayan sido probadas en busca de fugas.

Lleve a cabo una prueba de fugas conforme a las instrucciones siguientes:

1. Compre un detector de fugas líquido o prepare una solución de jabón y agua. Una parte de agua una parte detergente líquido.
2. Cuando todas las conexiones hayan sido hechas, cerciórese de que todos los controles de la estufa estén apagados (**OFF**) y de que la válvula de suministro de gas a la estufa está accionado (**ON**).
3. Aplique el detector de fugas o la solución jabonosa alrededor de todas las conexiones a partir de la válvula de cierre hasta la estufa.
4. Un fuga es identificada por un flujo de burbujas del área de fuga.
5. Si usted detecta una fuga, suspenda el suministro de gas. Apriete la conexión. Conecte el gas otra vez y pruebe de nuevo.

Si la fuga persiste, suspenda el suministro de gas y póngase en contacto con su distribuidor en busca de asistencia. No intente operar la estufa si la fuga persiste.

IMPORTANTE: Desconecte la estufa y la válvula de cierre de la tubería de suministro de gas durante cualquier prueba de presión de ese sistema a presiones mayores de 1/2 psig. Aísle la estufa de su sistema de tubería de suministro de gas cerrando la válvula de cierre de gas individual manual hacia la estufa durante cualquier prueba del sistema de presión de las tuberías de presión de gas a una prueba de presión igual o menor de 1/2 psig.

CONEXIONES ELÉCTRICAS

18 REQUISITOS ELÉCTRICOS

Un ramal de circuito de 120 voltios y 60 Hertz protegido por un interruptor de circuito de 15 ó 20 amperios o un fusible de dilatación de tiempo.

PRECAUCIONES SOBRE EL USO DE CABLES DE EXTENSIÓN

Debido a los riesgos de seguridad potenciales asociados con ciertas condiciones, recomendamos enérgicamente que no use un cable de extensión. Sin embargo, si decide usar un cable de extensión, es absolutamente necesario que este cable esté clasificado UL, con 3 conductores y que sea certificado para ser usado en electrodomésticos para cargar corriente equivalentes en amperios iguales o mayores que las del ramal del circuito.

CONEXIÓN A TIERRA

IMPORTANTE — (Por favor, lea cuidadosamente.)

PARA SEGURIDAD PERSONAL, ESTE ELECTRODOMÉSTICO DEBE ESTAR CONECTADO A TIERRA APROPIADAMENTE.

Método preferido



El cable eléctrico de este electrodoméstico está equipado con un enchufe de tres clavijas (conexión a tierra) que combina con el receptáculo o tomacorriente para tres clavijas para minimizar la posibilidad del peligro de una descarga eléctrica en este electrodoméstico.

El cliente debe hacer que un técnico calificado inspeccione el tomacorriente de pared y el circuito para cerciorarse de que el tomacorriente está conectado a tierra apropiadamente.

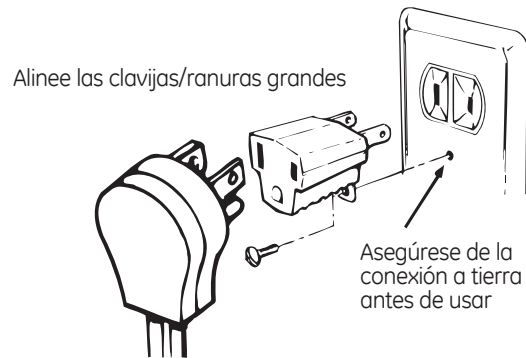
Cuando un tomacorriente de pared estándar de dos clavijas es encontrado, es su responsabilidad y obligación personal hacer que sea reemplazado con un tomacorriente de tres clavijas conectado a tierra apropiadamente.

BAJO NINGUNA CIRCUNSTANCIA CORTE O REMUEVA LA TERCER CLAVIJA DEL CABLE ELÉCTRICO. ¡NO LO HAGA!

Un adaptador podría usarse solamente con un circuito de 15 amperios. No use un adaptador con un circuito de 20 amperios. Cuando los códigos locales lo permitan, una **CONEXIÓN TEMPORAL** podría hacerse a un tomacorriente apropiadamente conectado a tierra de dos clavijas si el tomacorriente está autorizado por UL, los que están disponibles en casi todas las ferreterías. La ranura mayor en el adaptador debe ser alineada con la ranura mayor en el tomacorriente de la pared para proporcionar polaridad apropiada en la conexión del cable eléctrico.

Método temporal

(Los enchufes adaptadores no son permitidos en Canadá)



⚠ PRECAUCIÓN: Pegar el adaptador de la terminal de tierra al tornillo de la cubierta del tomacorriente de la pared el electrodoméstico no conecta a tierra a no ser que el tornillo sea metálico, que no esté aislado, y que el tomacorriente esté conectado a tierra a través del alambreado de la casa. El cliente debe hacer que un técnico calificado inspeccione el circuito de la residencia para cerciorarse que el tomacorriente está conectado a tierra de manera apropiada.

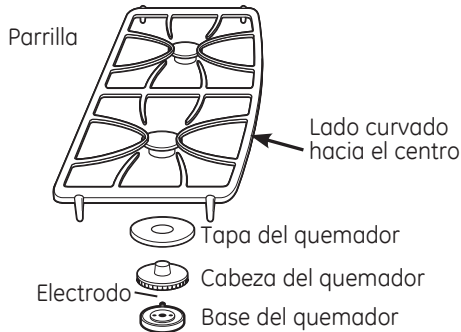
Cuando desconecte el cable eléctrico del adaptador, siempre sostenga el adaptador con las manos. Si no lo hace, la terminal de conexión a tierra del adaptador se podría romper a través del uso constante. Si esto sucediera, **NO USE** el electrodoméstico hasta que la conexión a tierra apropiada haya sido restablecida.

Instrucciones de Instalación

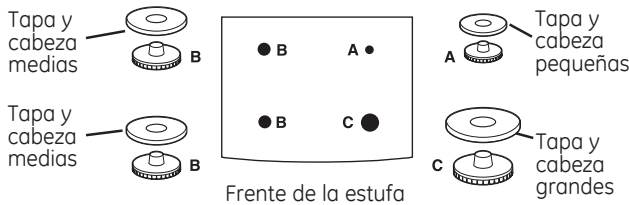
ENSAMBLAJE FINAL

19 ENSAMBLADURA DE LOS QUEMADORES, INSPECCIONE LA IGNICIÓN

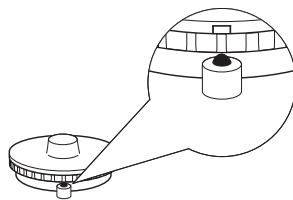
Ensamble los quemadores como se muestra.



PRECAUCIÓN: No opere el quemador sin todas las partes del quemador en su lugar.



Coloque las cabezas del quemador sobre las bases del quemador combinando las letras. Coloque las tapas en las cabezas. Cerciérese de que las cabezas y las tapas están colocadas en el quemador de tamaño correcto. Las cabezas del quemador y las bases del quemador están etiquetadas A, B y C para ayudar en la ensambladura. Hay una cabeza y una tapa pequeña (A), dos medias (B) y una grande (C).



Cerciérese de que la ranura en el quemador de la cabeza está colocada hacia el electrodo. Rote la cabeza del quemador alrededor de la base del quemador hasta que esté nivelada y asentada con seguridad.

Coloque las parrillas sobre los quemadores.

Inspeccione la ignición:

- Empuje hacia adentro un botón de control y gírele a la posición **LITE** (ENCENDIDO).
- El encendedor chispeará y que quemador se encenderá; el encendedor dejará de chispear cuando el quemador se encienda.
- La primera prueba podría requerir algún tiempo, mientras el aire circula a través de la línea de gas.

- Realice un control para determinar si las llamas de los quemadores son normales. Si las llamas del quemador se ven como en A, apague el quemador y asegúrese de que todas las piezas estén ensambladas correctamente. Vuelva a realizar el ensamble y haga un control. El aspecto normal de las llamas debería ser como en B o C, dependiendo del tipo de gas que use. Con gas LP, es normal que haya algunas puntas amarillas en los conos externos.



Llamas amarillas – A
Llame en busca de servicio

Puntas amarillas en los conos exteriores – B
Normal para gas LP.

Llamas suaves azules – C. Normal para gas natural.

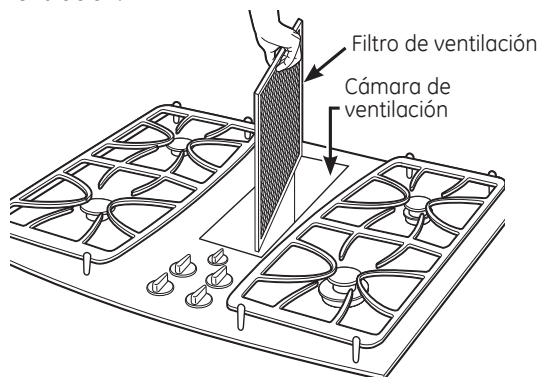
- Gire el botón a OFF (APAGADO).
- Repita el procedimiento para cada quemador.

ENSAMBLAJE FINAL

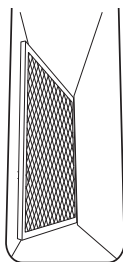
20 INSTALE EL FILTRO DE VENTILACIÓN DESCENDENTE, LA JUNTA DE VENTILACIÓN Y LA REJILLA DE VENTILACIÓN

No opere la ventilación si el filtro en su lugar.

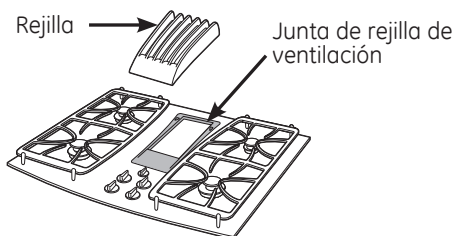
- Coloque el filtro diagonalmente a través de la abertura de ventilación.



- Cerciórese de que descansa en un ángulo, sobre los apoyos en la abertura de ventilación.



- Ajuste la junta de la rejilla de ventilación alrededor del extremo de la abertura de ventilación descendente. Cerciórese de que el frente de la junta está instalado hacia el frente de la estufa.
- Con cuidado, coloque la rejilla de ventilación sobre la junta en la abertura de ventilación descendente.




INSPECCIONES LA OPERACIÓN DE VENTILACIÓN DESCENDENTE

- Gire el control de velocidad del ventilador de ventilación a **HI (ALTO)**, **MED (MEDIO)** y **LO (BAJO)** para cerciorarse de que todas las velocidades operan correctamente.

Consejos para la Solución de Problemas... Antes de solicitar el servicio técnico

¡Ahorre tiempo y dinero! Primero revise los cuadros que aparecen en las siguientes páginas y es posible que no necesite solicitar reparaciones.

Problema	Causa Posible	Qué Hacer
El agua no hierve		Cubra la sartén con una tapa. Apague el ventilador (Posición OFF) hasta que el agua comience a hervir.
Los quemadores amarillos o amarillentos	La calidad de combustión de las llamas de los quemadores necesita ser determinada visualmente.	Use la ilustración más adelante para determinar si la llama de su quemador es normal. Si las llamas del cono de punta de quemador lucen como A, llame al técnico de servicio. Las llamas normales deben lucir como las B o las C, dependiendo del tipo de gas que usted use. Con gas LP, las puntas de color amarillento en los conos exteriores son normales. 
	Las partes del quemador no han sido reemplazadas correctamente.	Ver la sección de Cuidado y limpieza de la estufa.
Los quemadores no encienden	El enchufe de la estufa no está completamente insertado en el tomacorriente eléctrico.	Cerchiórese de que el enchufe eléctrico está conectado en un tomacorriente que tenga corriente, y que esté conectado apropiadamente a tierra.
	El suministro de gas no está conectado o no está abierta la línea.	Ver la sección sobre Instrucciones de instalación.
	El fusible en su residencia podría haberse quemado o el interruptor de circuito se voló.	Reemplace el fusible o reajuste el interruptor de circuito.
	El orificio de ignición en el cuerpo del quemador está obstruido.	Remueva la obstrucción.
	Las partes del quemador no han sido reemplazadas correctamente.	Ver Tapas, cabezas y electrodos de quemadores en la sección de Cuidado y limpieza.
	Las hendiduras en la cabeza del quemador se pueden atascar.	Use una aguja de coser pequeña o un sujetapapeles para desenchufar.
El sonido chispeante persiste aún cuando el quemador está apagado	Cerchiórese de que el botón está en la posición OFF (apagado).	Remueva el botón empujándolo directamente hacia afuera del vástago e inspeccione el fondo del botón por si existe acumulación de suciedad.
Sonido chispeante ocasional	Cambiando la velocidad del soplador.	Este es el sonido típico en el cambio eléctrico. Esto es normal.
Las llamas del quemador son grandes o amarillos	Proporción de aire a gas no es apropiada.	Si la estufa está conectada a gas LP, póngase en contacto con la persona que hizo la conversión o la persona que hizo la instalación de la estufa.
	Las hendiduras en la cabeza del quemador se pueden atascar.	Use una aguja de coser pequeña o un sujetapapeles para desenchufar.
Las llamas del quemador producen un ruido excesivo	El quemador no se usó en forma reciente.	Si el quemador está "frío" y se lo enciende en la configuración ALTA (HI), es posible que se produzca una especie de "rugido" o "elevación" de la llama. Es posible que esto se disipe en 4 o 5 minutos.
Las llamas del quemador se mueven en dirección a la parrilla de ventilación	Ventilador configurado en velocidad alta.	Esto es normal. Si la cocción se ve afectada, cambie a una configuración de velocidad inferior del ventilador.

Consejos para la Solución de Problemas... Antes de solicitar el servicio técnico

Problema	Causa Posible	Qué Hacer
Los botones de control no gira	Los controles de la estufa están ajustados inapropiadamente.	Cuando el botón está en la posición OFF (apagado) , el botón debe empujarse hacia abajo antes de ser girado. El botón solamente se puede girar en sentido opuesto a la dirección de las agujas del reloj. Cuando el botón está en cualquier otra posición, puede girarse sin empujarse.
El ventilador no funciona	El botón de control del ventilador no está ajustado apropiadamente.	Gire el botón en la dirección de las agujas del reloj para encender el ventilador.
	El cable no está conectado apropiadamente o el suministro eléctrico está suspendido.	Inspeccione las conexiones. Restablezca el suministro eléctrico en la caja de fusibles.
Ventilación deficiente	El filtro está obstruido.	Limpie el filtro de acuerdo a las instrucciones.
	La casa no tiene buena circulación de aire.	Abra una ventana levemente para proporcionar una fuente de aire.
	La tapa de la pared está obstruida.	Remueva el bloqueo de la tapa de la pared exterior.
	La tapa del regulador de tiro de la pared está atascada.	Inspeccione la tapa de la pared exterior del regulador de tiro para movimiento libre u obstrucción.
	La longitud del conducto excede el máximo de 100 pies recomendado.	Reduzca el número de codos para simplificar la trayectoria del conducto.
Pequeñas rayas o marcas sobre el metal pueden aparecer como fisuras y abrasiones sobre la superficie de vidrio de la cocina radiante	Uso de métodos incorrectos de limpieza.	Lea la sección de Limpieza de la cocina de vidrio.
	Se usaron utensilios con partes inferiores ásperas o partículas ásperas (sal o arena) entre el utensilio y la superficie de la cocina.	Asegúrese que las partes inferiores de los utensilios estén limpias antes de su uso. Use utensilios con partes inferiores lisas. Las rayas pequeñas no se pueden eliminar pero serán menos visibles con el tiempo como resultado de la limpieza.
	El utensilio fue deslizado sobre la superficie de la cocina.	
Áreas de decoloración o rayas oscuras en la estufa	Se usaron utensilios inadecuados.	Las marcas de cacerolas de aluminio y cobre, como también depósitos de minerales de agua o comida se pueden eliminar con la crema de limpieza.
	Superficies calientes en un modelo con una estufa de color pálido.	Esto es normal. La superficie podría parecer decolorada cuando está caliente. Esto es temporal y desaparecerán conforme el vidrio se enfría.
	Derrames de comida que no se limpiaron hasta el siguiente uso.	Lea la sección de Limpieza de la cocina de vidrio.
	Uso de métodos incorrectos de limpieza.	Use los procedimientos de limpieza recomendados.
Plástico fundido sobre la superficie	La estufa caliente se puso en contacto con un instrumento plástico colocado sobre la estufa caliente.	Ver la sección de Superficie de vidrio – potencial de daño permanente en la sección de Limpieza de la estufa de vidrio.
Indentaciones sobre la estufa	Derrame de una mezcla de azúcar sobre la estufa.	Llame a un técnico clasificado para reemplazo.