



Plastic Lattice

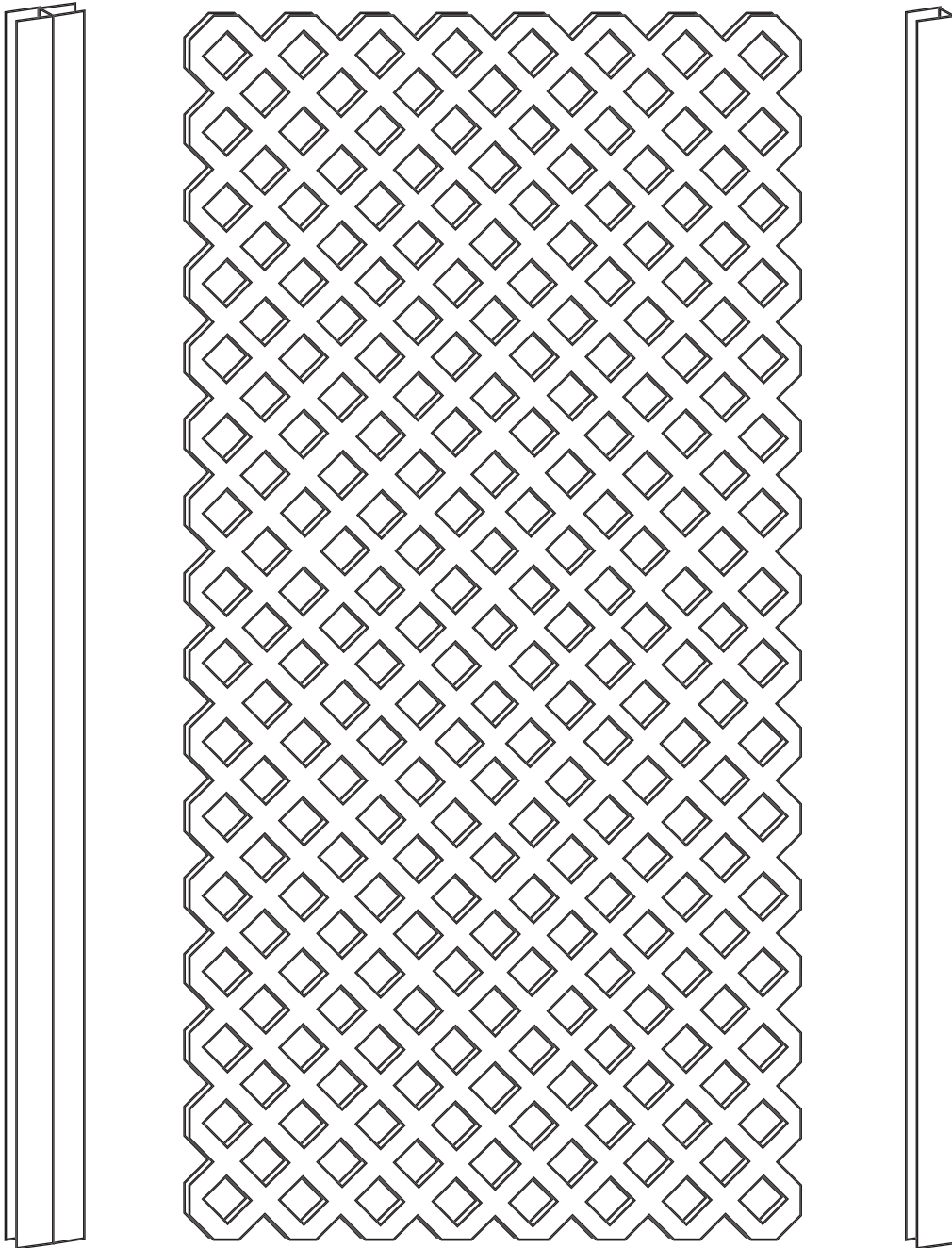
Installation Instructions

PLEASE READ OWNER'S MANUAL COMPLETELY
BEFORE INSTALLING YOUR LATTICE.

Owner's Manual

Version

1.0



Thank you for choosing the Barrette Outdoor Living Lattice. Please read the instructions completely before assembling your Lattice. Retain manual and your dated sales slip for future reference and warranty claims.

Before You Begin...

2 person installation recommended

It is the responsibility of the installer to meet and/or exceed all code and safety requirements, and to obtain all required building permits. The deck and railing installer should determine and implement appropriate installation techniques for each installation. Barrette Outdoor Living and its distributors shall not be held liable for improper or unsafe installations.

Before installing, check with your local building code official or structural engineer to determine the quantity and spacing needed.

Material Checklist:

- Tape Measure
- Saw
- Rubber Mallet
- Drill
- Drill bits
- Pencil

ATTENTION: Before you assemble the kit:

PLEASE TAKE A COMPLETE INVENTORY OF ALL PARTS USING THE CONTENTS.

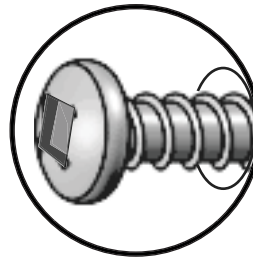
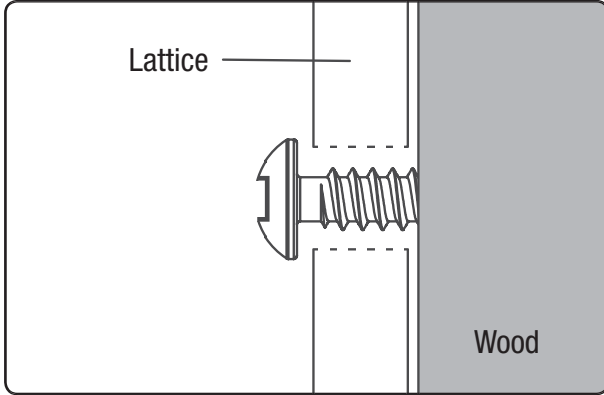
DO NOT ATTEMPT TO ASSEMBLE THE LATTICE IF PARTS ARE MISSING OR DAMAGED.

Please do not return the product to the store, for assistance or replacement parts call:

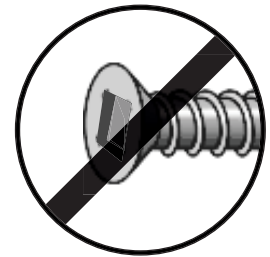
1-800-336-2383

Installing Without Mouldings:

- 1** Pre-drill oversized holes through lattice (**drill the largest hole that screw head will allow without fitting through**). Center each screw in oversized holes and do not overtighten to allow for expansion and contraction of lattice

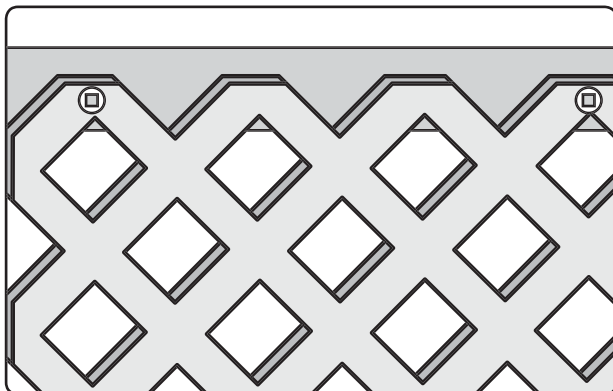


Center each screw in oversized holes.

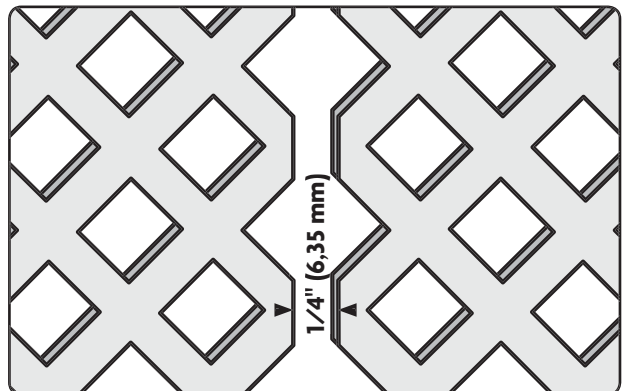


Do not use countersink screws.

- 2** Hang the lattice with a support every 24". Attach sides and bottom loosely. (**Do not tighten all the way**)

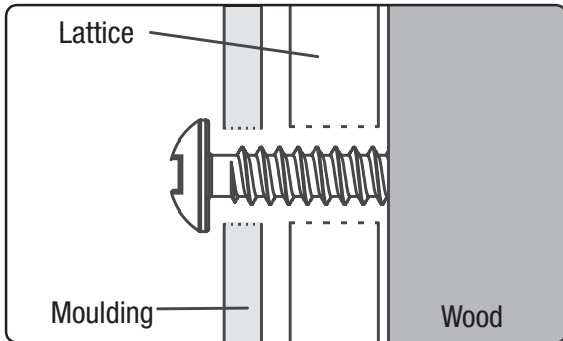


- 3** If using more than one panel, do not butt panels together. Leave 1/4" gap to allow for expansion and contraction

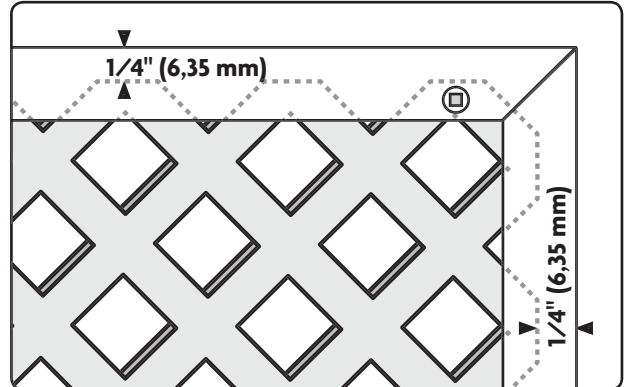


Installing With Cap & Divider Mouldings:

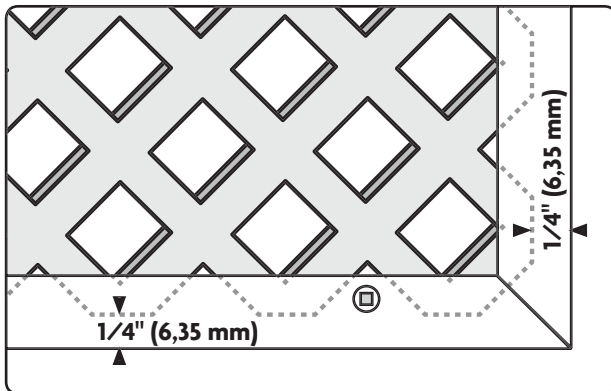
- 1** Pre-drill oversized holes through lattice and moulding (**drill the largest hole that screw head will allow without fitting though**). Center each screw in oversized holes and do not overtighten to allow for expansion and contraction of lattice



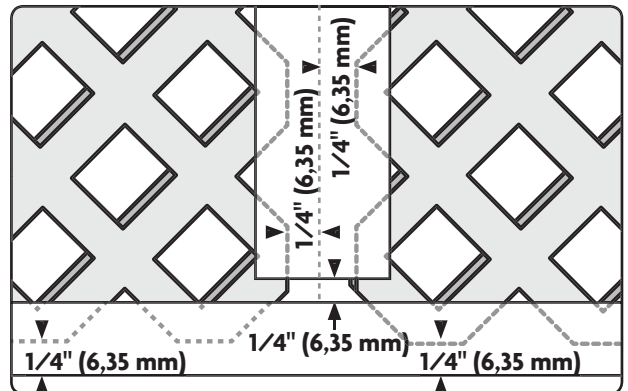
- 2** Along the top, drill and fasten every 24". Drill holes and hang through both moulding and panel.



- 3** Along the sides and bottom, drill holes and put screws through moulding only.

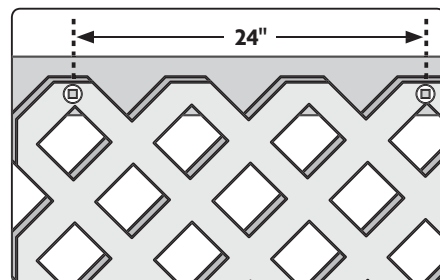
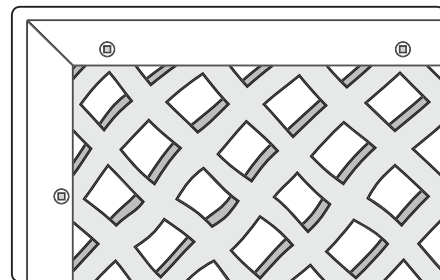


- 4** Allow a 1/4" gap on all sides for expansion with cap and divider mouldings.



Important Things To Remember:

- If the lattice bows, loosen attaching screws, make sure you have allowed enough gap for expansion and contraction.
- Place fasteners 24" apart.
- **DO NOT use for horizontal installation.**





Transferable Limited Lifetime Warranty

What is covered: Barrette Outdoor Living warrants vinyl and aluminum products to include; vinyl and aluminum fence, vinyl and aluminum railing and plastic lattice against defects or workmanship for as long as you own your home. Barrette Outdoor Living will at its option replace the product in question with new product of the same or equivalent value at no charge. Barrette Outdoor Living warrants these products against peeling, flaking, splintering, corrosion, rusting or abnormal discoloration under normal use and service per ASTM D 2244. This warranty extends to the original purchaser or transferee as specified herein on the products noted above. Separate and distinct warranties for hardware and other products are not covered under this warranty.

What this warranty does not cover: This limited warranty does not cover damage resulting from accident, unreasonable use, neglect, alteration, improper service, improper installation, acts of God or any other causes not arising out of defects in materials or workmanship. Additionally, this warranty does not cover costs of installation, removal, reinstallation or surface mold and mildew created by excessive environmental conditions. Any service or repair provided outside the scope of this limited warranty shall be at Barrette Outdoor Living's rate and terms then in effect.

What do we do to correct the problems? Should your Barrette Outdoor Living product prove defective under warranty, reference the website or call the phone number listed below. Your problem will be assigned a tracking number and an authorized Barrette Outdoor Living representative will contact you to arrange a convenient time to schedule an onsite inspection, or request pictures, if need be. If after inspection product is deemed to be manufacturer defect we will make arrangements to rectify the issue. You must have proof of your purchase in order for the problem to be corrected.

Transferee Coverage: Warranty coverage will be extended to one transferee on the above listed products with the following limitations. Transferee must obtain an original or copy of the initial sales receipt (with proof of date) from the previous owner(s). Additionally, if fence is purchased from a builder or installer, documentation must be supplied that names the product installed on property and date of transfer.

THIS WARRANTY IS IN LIEU OF ALL CONDITIONS OR WARRANTIES, EXPRESS, OR IMPLIED INCLUDING BUT NOT LIMITED TO ANY IMPLIED CONDITIONS OR WARRANTIES OR MERCHANTABILITY OR FITNESS FOR A PARTICULAR PURPOSE ON THE PART OF Barrette OR ITS LICENSORS, SOME STATES DO NOT ALLOW THE EXCLUSIONS OF IMPLIED WARRANTIES OR LIMITATIONS OF HOW LONG AN IMPLIED WARRANTY LASTS, SO THE ABOVE LIMITATIONS MAY NOT APPLY TO YOU. IF THE PRODUCT IS DEFECTIVE PER THE ABOVE COVERAGES, YOUR SOLE AND EXCLUSIVE REMEDY SHALL BE REPAIR OR REPLACEMENT AS PROVIDED ABOVE. BARRETTE AND ITS LICENSORS SHALL NOT BE LIABLE FOR ANY DAMAGES, LOSS OF USE, LOSS OF PROFITS OR INTERRUPTION OF BUSINESS WHETHER SUCH ALLEGED DAMAGES ARE BASED IN WARRANTY, TORT, CONTRACT, OR INDEMNITY. SOME STATES DO NOT ALLOW THE EXCLUSION OF LIMITATIONS OF INCIDENTAL OR CONSEQUENTIAL DAMAGES, SO THE ABOVE LIMITATIONS MAY NOT APPLY TO YOU. This warranty is valid only in the United States and Canada.

Refer to www.BarretteOutdoorLiving.com for specific details about warranty limitations.
1-800-336-2383

To register your product, please visit: www.barretteoutdoorliving.com/product-registration

