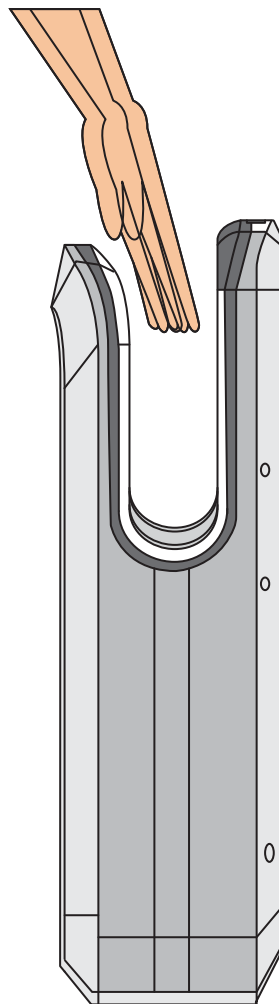


# OAK Hand Dryer

By Alpine



**OWNER'S MANUAL**

# INTRODUCTION

Thank you for purchasing the Alpine OAK hand dryer! This high-velocity hand dryer is extremely compact and dries hands in seconds. It was specifically designed and built for use in industrial settings and commercial offices. An onboard infrared sensor detects hands and automatically turns the dryer on. The Oak hand dryer also incorporates a replaceable, High Efficiency Particulate Air (HEPA) filter, as well as a reusable air intake pre-filter.

# FEATURES

- No-touch operation
- Dries hands in approximately 8 seconds
- HEPA filter reduces contaminants in the air when hand drying
- Water collection reservoir prevents splashes from collecting on the floor
- Quiet operation - ideal for sound-sensitive areas
- Simple mounting bracket for easy installation
- Durable and vandal resistant
- Heat adjustment
- Air speed adjustment
- Conventional plug and hard-wire option

# SPECIFICATIONS

## **Voltage:**

ALP404-GRY

ALP404-WHI - 120V 60Hz

ALP404-20-GRY

ALP404-20-WHI - 220V 60Hz

## **Power:**

120V/High Speed/Heat Element ON: 1800W/15A

120V/Low Speed/Heat Element ON: 1600W/13A

120V/High Speed/Heat Element OFF: 860W/7A

120V/Low Speed/Heat Element OFF: 700W/5.8A

220V/High Speed/Heat Element ON: 1800W/8A

220V/Low Speed/Heat Element ON: 1600W/7A

220V/High Speed/Heat Element OFF: 860W/3.9A

220V/Low Speed/Heat Element OFF: 700W/3.2A

Drying Time: ~8 Seconds

Motor: Brush Motor

Noise: 70dB

Cabinet Material: Acrylonitrile butadiene styrene (ABS Plastic)

Weight: 20.5 lbs

Width: 11-3/4 inches (298mm)

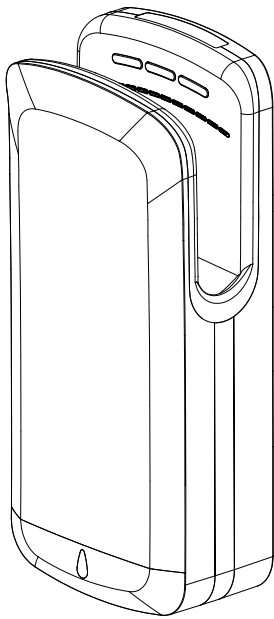
Thickness: 7-1/4 inches (184mm)

Height: 27-1/2 inches (699mm)

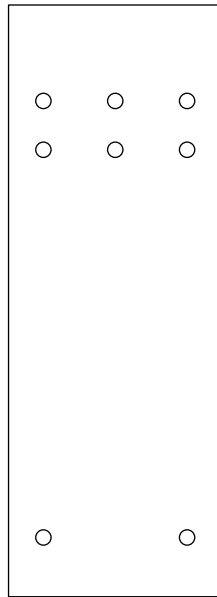
# PARTS LIST

- 1 - Dryer
- 1 - Replaceable HEPA Air Filter
- 6 - Wall Screws
- 6 - Anchor Plugs
- 1 - Installation Template
- 1 - Cleaning Brush

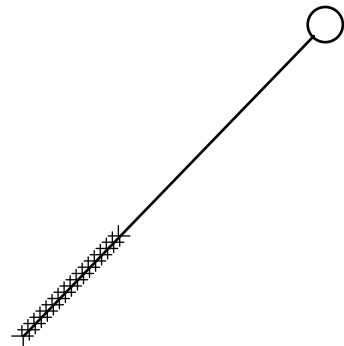
Note: Typical metal screws have been included with this product. These screws can be used in conjunction with the anchors for most types of walls and studs. However, other screw types may be needed such as: for masonry walls with tiles - use a carbide-tip drill bit; for wood - use wood screws.



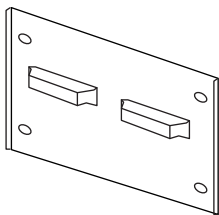
**DRYER**



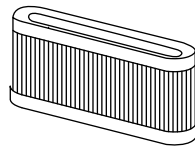
**INSTALLATION  
TEMPLATE**



**CLEANING BRUSH**



**WALL MOUNTING  
BRACKET**



**HEPA FILTER**



**SCREWS**



**WALL ANCHORS**

# INSTALLATION

**CAUTION:** Make sure that no electrical wiring or pipe runs are located in the wall cavity where the dryer is to be installed. If installing the hard-wired option, de-energize all electrical lines before installation begins.

1. Remove all packing material (recycling is recommended).
2. Carefully remove the hand dryer from the shipping carton - be careful not to drop the appliance.
3. Inspect carefully for any damage that may have occurred during transit.
4. Check for any loose, missing or damaged parts. If the hand dryer is damaged or missing parts contact the retailer.

## TOOLS NEEDED

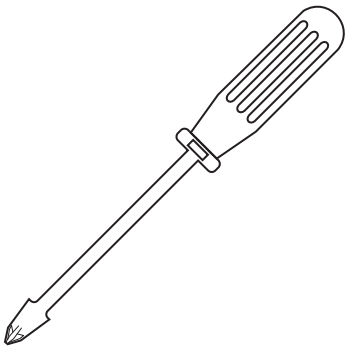
Phillips head screw driver

Drill

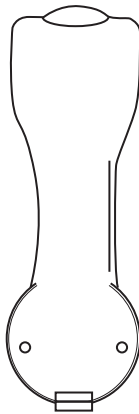
6/25-inch (6mm) drill bit

Stud finder

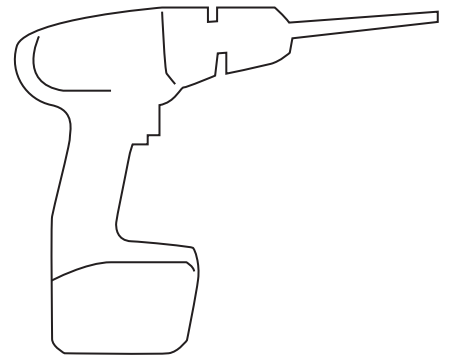
Pencil



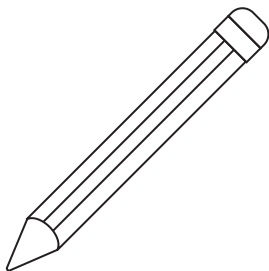
**SCREW DRIVER**



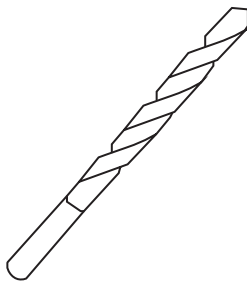
**STUD FINDER**



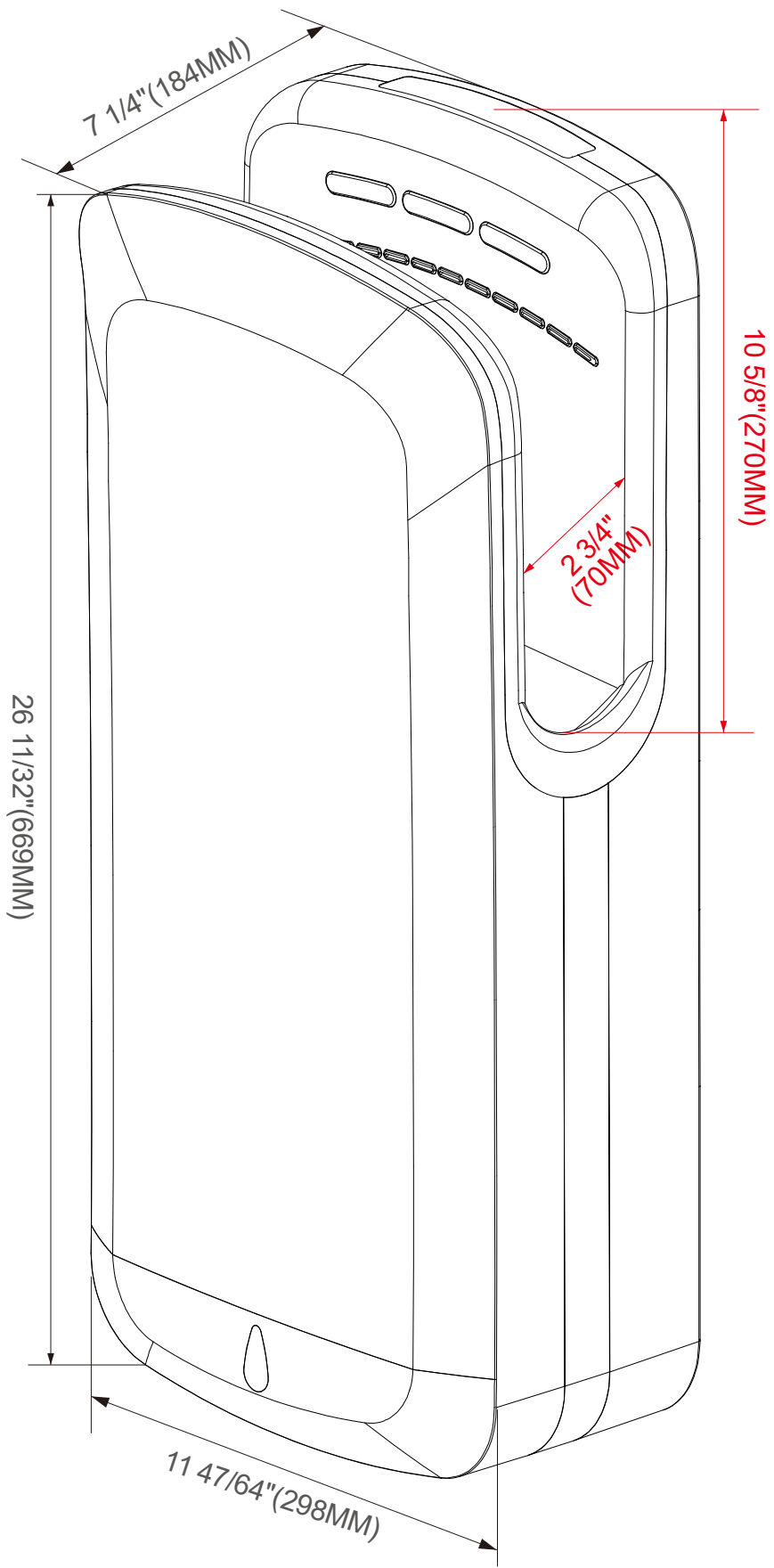
**DRILL MACHINE**



**PENCIL**



**DRILL BIT**



# INSTALLING DRYER

1. Select a wall location height that allows user hand's to easily find the dryer's slot

Recommended installation heights measured from floor	Male	Female	Child or Disabled
To top of machine	41	38	34
To bottom of machine	13.5	10.5	6.5

2. Find a stud in the wall using the stud finder.

3. Position mounting template with one set of vertical holes positioned over the stud.

4. Mark hole locations with the pencil.

5. Drill holes in the markings and insert anchors.

6. Attach the mounting bracket to the wall with four of the mounting screws provided.

7. Hang the dryer by inserting tabs (located on the rear of the dryer) on the mounting bracket.

8. Pull out the water tray and locate the final two screws.

9. Using the screw driver, drive the lower two screws through the dryer and into the wall.

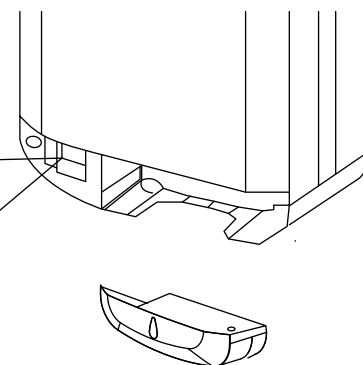
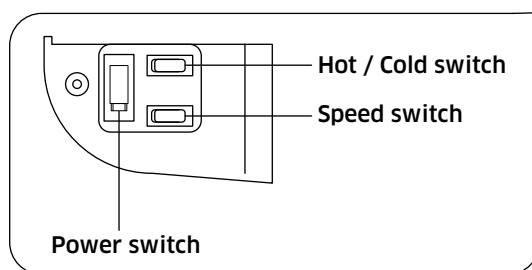
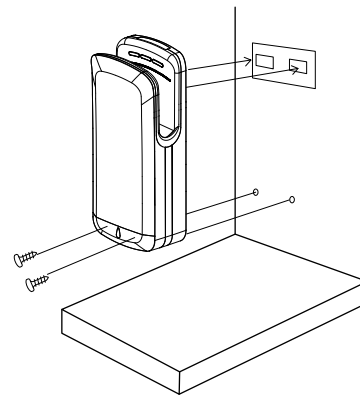
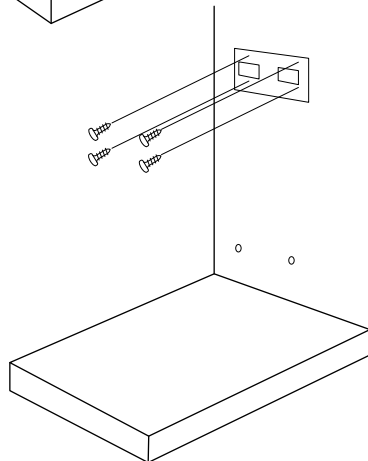
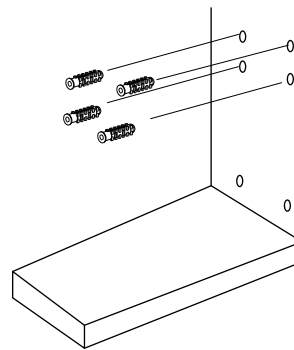
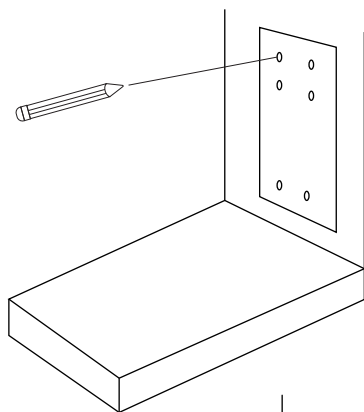
10. Locate the controls and turn the power switch ON.

11. Turn the heater to ON or OFF.

12. Turn the air speed to HIGH or LOW.

13. Open the filter cover and install the HEPA filter with rubber o-ring at the top.

14. The dryer is now ready for use.

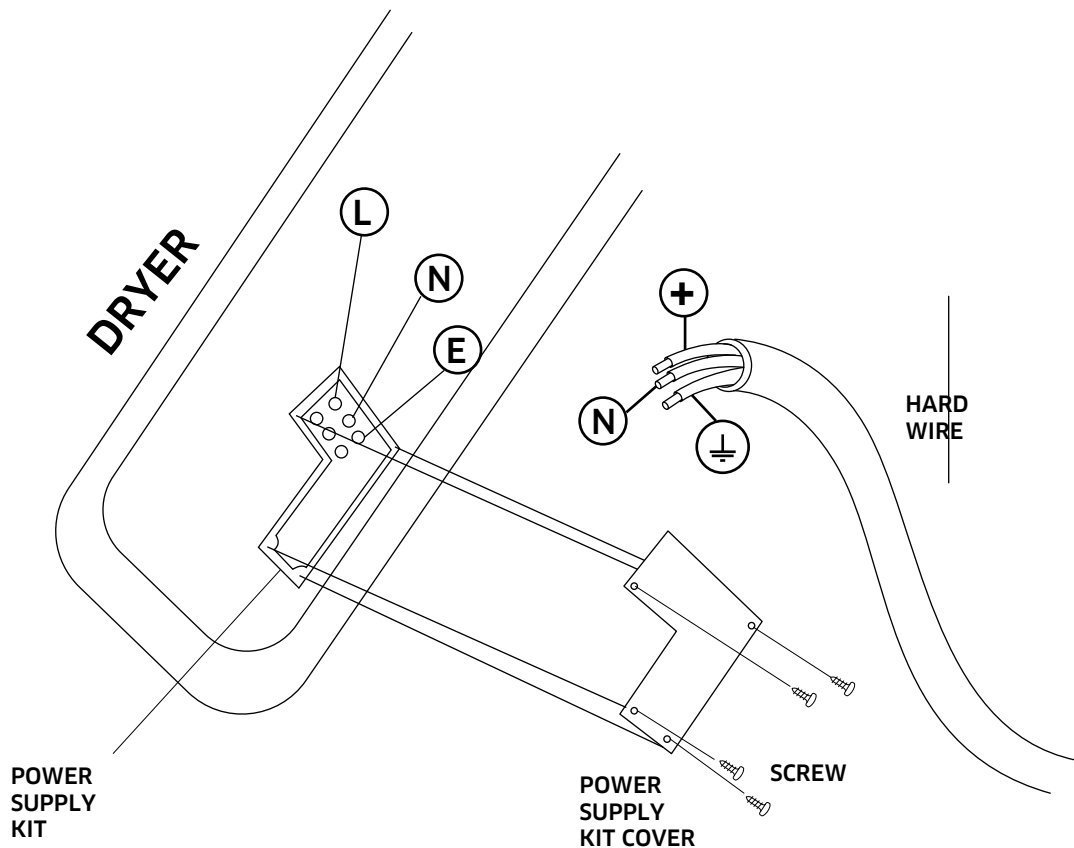


Water collection tray

# INSTALLING DRYER WITH HARD-WIRED OPTION

**CAUTION:** The hard-wire version should only be installed by a certified and trained electrician.

1. Follow steps 1-5 above.
2. Remove the power supply kit cover located on the lower, rear corner of the hand dryer.
3. Remove the existing cord by removing its wires from the dryer terminals.
4. Connect the hard-wired cord's live wire (+) to the connection terminal marked "L".
5. Connect neutral wire to the connection terminal marked "N".
6. Connect the ground wire to the connection terminal marked "E".
7. Replace power supply kit cover and hang dryer on mounting bracket.
8. Remove water tray from the bottom of dryer.
9. Using the screw driver, drive the two bottom screws through the dryer and into the wall.
10. Turn the power switch ON.
11. Turn the heater to ON or OFF.
12. Turn the air speed to HIGH or LOW.
13. Open the filter cover and install the HEPA filter with rubber o-ring at the top.
14. The dryer is now ready for use.



# USING THE DRYER

1. Insert hands into slot until the dryer turns on.
2. Move hands up and down in streams of air until dry.
3. Remove hands from slot (the dryer will automatically shut off).

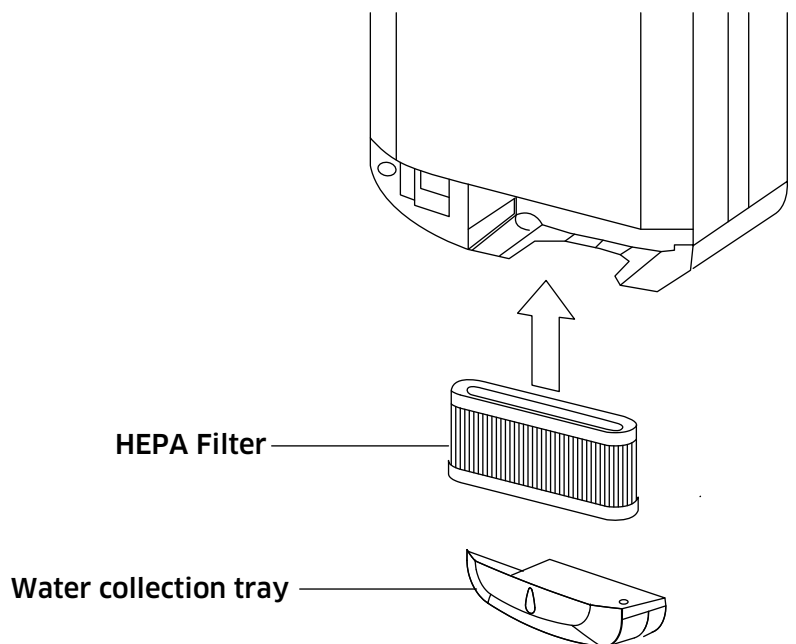
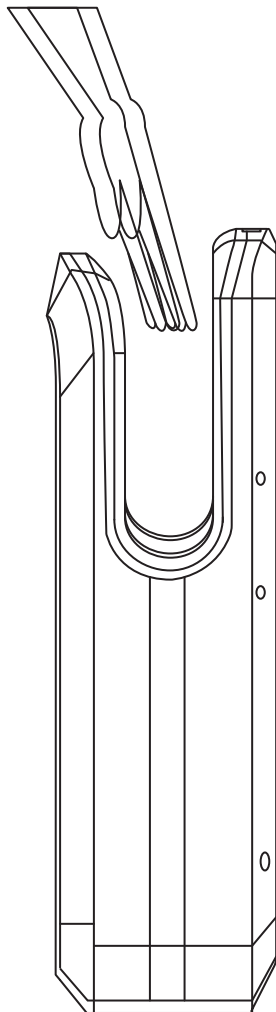
## ROUTINE MAINTENANCE

**CAUTION:** Failure to maintain filters can cause overheating, damage the dryer and void the warranty.

1. Regularly check pre-filter and HEPA filters for signs of dust and debris (high traffic may require frequent checking).
2. If the filters are dirty, replace them by contacting an authorized dealer (the pre-filter can be cleaned and re-used).
3. Replace the HEPA filter after one to six months of regular use (high traffic may require frequent replacement).
4. Regularly perform a visual inspection of the water tray and empty if full.

## CLEANING

1. All surfaces of the hand dryer can be cleaned with a soft cloth or non-abrasive pad with mild cleaning solutions.





# **TROUBLE SHOOTING**

## **DRYER FAILS TO START**

Check power supply is turned on and the power switch on hand dryer is on.  
Check for foreign objects in the drying cavity that maybe blocking the sensors.  
Insert hands a little further into the drying cavity to active sensors.

## **HAND DRYER TURNS ON AND OFF ERRATICALLY**

Clean sensor area inside the drying cavity.

## **NO HOT AIR**

Check to be sure the temperature switch is set to HOT.  
Check ambient temperature - the heater will not turn on if temperature is more than 77oF (25oC).

## **LOW AIRFLOW**

Increase air flow using flow switch on the bottom of the dryer.

## **HAND DRYER LOCKED**

Turn off the hand dryer several minutes and then turn it back on.

## **WARNINGS**

Risk of fire, electric shock, personal injury or property damage are possible if local codes or safety recommendations are not followed.

Use only for drying hands and do not use hand dryer for any purpose other than drying hands.  
Carefully follow all instructions for installation on the enclosed installation template/instructions.  
Installation should only be performed by qualified electrician in compliance with all applicable national and local codes and standards.

When cutting or drilling into the wall or ceiling, do not damage electrical wiring and other hidden utilities.

Always connect to a branch circuit with circuit breaker or fuse protection with an electrical rating greater than the model hand dryer's rated amperage.

Use only the electrical power (voltage and frequency) specified for the model hand dryer being installed.

Each hand dryer must have a dedicated circuit.

For indoor use only. Do not use outdoors.

Do not expose to rain, sun or extreme temperatures. Do not use near source of water or extreme heat.

To limit a voltage drop, and insure efficient operation, use of right size wire is required.

Repair work should only be performed by an authorized electrician.

This appliance is not intended for use by a person with reduced physical, sensory or mental capabilities, or lack of experience and knowledge, unless they have been give supervision or instruction concerning use of the appliance by a person responsible for their safety.

Only use Alpine replacement parts.

Do not insert foreign objects in the unit or place heavy objects on the unit.

Do not use in corrosive environments or explosive atmospheres.

Do not use in extremely humid locations or near source of water.

Do not immerse appliance in water or other liquid.

Children should be supervised not to play with the appliance.

2. Use provided cleaning brush to remove debris from the drain hole in the bottom of the drying cavity.

# **TROUBLE SHOOTING**

## **DRYER FAILS TO START**

Check power supply is turned on and the power switch on hand dryer is on.  
Check for foreign objects in the drying cavity that maybe blocking the sensors.  
Insert hands a little further into the drying cavity to active sensors.

## **HAND DRYER TURNS ON AND OFF ERRATICALLY**

Clean sensor area inside the drying cavity.

## **NO HOT AIR**

Check to be sure the temperature switch is set to **HOT**.  
Check ambient temperature - the heater will not turn on if temperature is more than 77oF (25oC).

## **LOW AIRFLOW**

Increase air flow using flow switch on the bottom of the dryer.

## **HAND DRYER LOCKED**

Turn off the hand dryer several minutes and then turn it back on.

## **WARNINGS**

Risk of fire, electric shock, personal injury or property damage are possible if local codes or safety recommendations are not followed.

Use only for drying hands and do not use hand dryer for any purpose other than drying hands.  
Carefully follow all instructions for installation on the enclosed installation template/instructions.  
Installation should only be performed by qualified electrician in compliance with all applicable national and local codes and standards.

When cutting or drilling into the wall or ceiling, do not damage electrical wiring and other hidden utilities.

Always connect to a branch circuit with circuit breaker or fuse protection with an electrical rating greater than the model hand dryer's rated amperage.

Use only the electrical power (voltage and frequency) specified for the model hand dryer being installed.

Each hand dryer must have a dedicated circuit.

For indoor use only. Do not use outdoors.

Do not expose to rain, sun or extreme temperatures. Do not use near source of water or extreme heat.

To limit a voltage drop, and insure efficient operation, use of right size wire is required.

Repair work should only be performed by an authorized electrician.

This appliance is not intended for use by a person with reduced physical, sensory or mental capabilities, or lack of experience and knowledge, unless they have been give supervision or instruction concerning use of the appliance by a person responsible for their safety.

Only use Alpine replacement parts.

Do not insert foreign objects in the unit or place heavy objects on the unit.

Do not use in corrosive environments or explosive atmospheres.

Do not use in extremely humid locations or near source of water.

Do not immerse appliance in water or other liquid.

Children should be supervised not to play with the appliance.

2. Use provided cleaning brush to remove debris from the drain hole in the bottom of the drying cavity.

## **DISPOSAL**

When you dispose of an old appliance or any component, follow any local and national laws on disposal of electronic waste. This appliance must not be disposed together with the domestic waste. This appliance has to be disposed at an authorized place for recycling of electrical and electronic appliances. By collecting and recycling waste, you help save natural resources, and make sure the product is disposed in an environmental friendly and healthy way.

# LIMITED WARRANTY

1. Alpine (the "Company") warrants to the original consumer (the "Purchaser") of any Hand Dryer against any damage caused by attempted burglary for a period of five (5) years from the date of purchase.
2. The Company warrants to the purchaser that the Hand Dryer will be free from defects in workmanship and materials for a period of one (1) year from the date of purchase.
3. These warranties are not assignable or transferable to any other person.
4. Any damage to the Hand Dryer as a result of misuse, tampering, abuse, neglect, accident, improper installation, modification, unauthorized service, destruction, or the alteration of the serial number, or use violate of the instructions furnished by the Company will void this warranty.
5. The sole responsibility of the Company shall be limited to the repair or replacement (in its sole discretion) of any component of the Hand Dryer which fails to conform to this warranty at no cost to the purchaser for the period of the warranty.
6. Contact the Company directly to obtain service under this warranty. If it becomes applicable to send a defective product to the Company, a Return Authorization Number must first be obtained from the company. In order to obtain service under this warranty, purchaser must provide the Company with the following items (a) proof of purchase, (b) photographs of damaged sad, and (c) written testimonial.
7. Products shipped without prior Return Authorization and Return Authorization Number may not be accepted, and the Company will not be responsible for their disposition and/or cost of return to the owner.
8. The Company will not assume any responsibility for any loss or damage incurred in shipping. All return authorized products should include a copy of the original invoice in order that this warranty may be Honored.
9. This warranty is not an insurance policy. The Company is not responsible for any manner of damage to or theft of the Purchaser's Hand Dryer or its contents.
10. We recommend that the enclosed warranty card be completed in full, and returned to the Company within ten (10) days of the original date of purchase to validate this warranty.
11. Any implied warranties that the purchaser may have are limited to the duration of the warranties described above. There are no further warranties that extend or apply beyond the face hereof, and the company expressly disclaims and excludes any and all warranties of merchantability or fitness for a particular purpose. Some states do not allow limitations on how long an implied warranty lasts, so the above limitation may not apply to you.
12. Repair or replacement shall be the sole remedy for the purchaser under this warranty. The company shall not be liable for any direct, indirect, incidental or consequential damages, losses or expense arising from the use or misuse of the Hand Dryer. Some states do not allow the exclusion or limitations of incidental or consequential damages, so the limitation may not apply to you.
13. This warranty gives you specific legal rights, and you may also have other rights which vary from state to state.

# DISCLAIMER

Alpine does not guarantee that our products will absolutely stop theft, vandalism, burglary, or acts of God. Our products are only a DETERRENT to such acts.

Alpine will always do its utmost to stay current on the prevention of theft and burglary and will continue to offer the best products possible to help in the prevention of such crimes.

By purchasing products from Alpine, user agrees as follows:

TO THE MAXIMUM EXTENT PERMITTED BY LAW, THE PRODUCTS AND INFORMATION ON THIS SITE IS PROVIDED "AS IS" AND WITH ALL FAULTS AND Alpine Oak. MAKES NO PROMISES, REPRESENTATIONS, OR WARRANTIES, EITHER EXPRESS, IMPLIED, STATUTORY, OR OTHERWISE, WITH RESPECT TO THE PRODUCTS AND INFORMATION, INCLUDING ITS CONDITION, ITS CONFORMITY TO ANY REPRESENTATION OR DESCRIPTION, OR THE EXISTENCE OF ANY LATENT OR PATENT DEFECTS, AND Alpine Oak. SPECIFICALLY DISCLAIMS ALL IMPLIED (IF ANY) WARRANTIES OF TITLE, MERCHANTABILITY, NONINFRINGEMENT, FITNESS FOR A PARTICULAR PURPOSE, ACCURACY OR COMPLETENESS, QUIET ENJOYMENT, AND QUIET POSSESSION. THE ENTIRE RISK ARISING OUT OF USE OR PERFORMANCE OF THE PRODUCTS AND INFORMATION LIES WITH USER.

TO THE MAXIMUM EXTENT PERMITTED BY LAW, IN NO EVENT SHALL Alpine Oak PRODUCTS OR ITS SUPPLIERS BE LIABLE FOR CONSEQUENTIAL, INCIDENTAL, SPECIAL, INDIRECT, OR EXEMPLARY DAMAGES WHATSOEVER ARISING OUT OF OR IN ANY WAY RELATING TO THIS AGREEMENT OR USER'S USE OF OR INABILITY TO USE THE PRODUCTS AND INFORMATION, OR THE PROVISION OR FAILURE TO PROVIDE SUPPORT SERVICES, INCLUDING, BUT NOT LIMITED TO, LOST PROFITS, LOSS OF CONFIDENTIAL OR OTHER INFORMATION, BUSINESS INTERRUPTION, PERSONAL INJURY, LOSS OF PRIVACY, FAILURE TO MEET ANY DUTY (INCLUDING OF GOOD FAITH OR REASONABLE CARE), NEGLIGENCE, COSTS OF PROCUREMENT OF SUBSTITUTE GOODS OR SERVICES, OR ANY OTHER CLAIM FOR PECUNIARY OR OTHER LOSS WHATSOEVER, OR FOR ANY CLAIM OR DEMAND AGAINST USER BY ANY OTHER PARTY, EVEN IF Alpine Oak HAS BEEN ADVISED OF THE POSSIBILITY OF SUCH DAMAGES. THESE LIMITATIONS SHALL APPLY NOTWITHSTANDING ANY FAILURE OF ESSENTIAL PURPOSE OF ANY LIMITED REMEDY.

NOTWITHSTANDING ANY DAMAGES USER MAY INCUR FOR ANY REASON WHATSOEVER (INCLUDING, WITHOUT LIMITATION, ALL DAMAGES REFERENCED ABOVE AND ALL DIRECT OR GENERAL DAMAGES), THE ENTIRE LIABILITY OF Alpine AND ANY OF ITS SUPPLIERS UNDER ANY PROVISION OF THIS AGREEMENT AND YOUR EXCLUSIVE REMEDY FOR ALL OF THE FOREGOING SHALL BE LIMITED TO THE GREATER OF THE AMOUNT ACTUALLY PAID FOR THE PRODUCTS AND INFORMATION OR U.S. \$1. THE FOREGOING LIMITATIONS, EXCLUSIONS, AND DISCLAIMERS SHALL APPLY TO THE MAXIMUM EXTENT PERMITTED BY APPLICABLE LAW, EVEN IF ANY REMEDY FAILS ITS ESSENTIAL PURPOSE.

If any provision of this Agreement is declared invalid or unenforceable, the remaining provisions of this Agreement will remain in effect. Alpine has the right to modify these terms and conditions at any time.



Alpine Industries  
27 Selvage St  
Irvington NJ 07111  
Info@alpinecorp.net  
www.alpinecorp.net