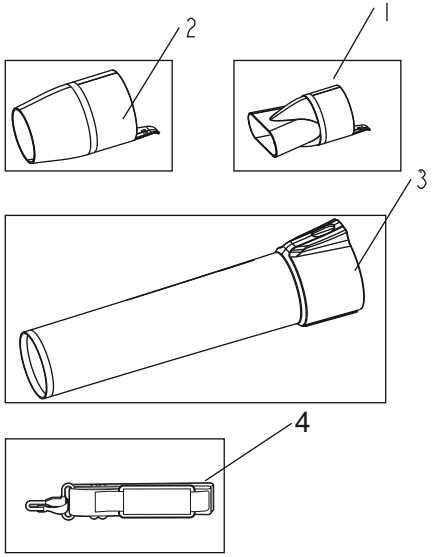


17 EXPLODED VIEW



No.	Part No.	Qty	Description
1	R0201911-00	1	Flat nozzle
2	R0201909-00	1	Concentrator nozzle
3	R0201910-00	1	Blower tube
4	RB37902144	1	Shoulder strap