

# Privacy Vinyl Fence Kit

## INSTALLATION INSTRUCTIONS

- English ..... 1
- Français ..... 10
- Español ..... 19



Read all instructions prior to installing product.

Refer to manufacturers safety instructions when operating any tools.

To register your product, please visit: [barretteoutdoorliving.com](http://barretteoutdoorliving.com)

**⚠ WARNING:**

- Improper installation of this product can result in personal injury. Always wear safety goggles when cutting, drilling and assembling the product.
- Incorrect installation may cause harm to the product or individual.
- Check local building codes to determine pool-safe fencing options.

**NOTICE:**

- DO NOT attempt to assemble the kit if parts are missing or damaged.
- DO NOT return the product to the store. For assistance or replacement parts call: 1-800-336-2383.

**BEFORE YOU BEGIN:**

Check your local zoning laws.

- Local zoning laws and Home Owners Associations may regulate the location, style and height of your fence or even require a permit signoff beforehand.
- Check local codes for frost line depth and regulations.
- Additional products and assembly may be required to meet wind code requirements. Notice of acceptance (NOA) can be found at [www.miamidade.gov/building/pc-search\\_app.asp](http://www.miamidade.gov/building/pc-search_app.asp)

Contact your local utilities companies.

- You must have the utility companies clearly mark your property for electrical, gas or water lines to avoid puncturing any unseen underground utilities.

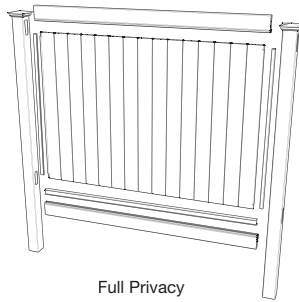
**TOOLS/MATERIALS NEEDED:**

Posts
Post Tops
Concrete
Coarse Gravel (6" per hole)
Post Hole Digger/Shovel
String Line Stakes with String
Level
Tape Measure
Rubber Mallet
Safety Glasses
Glue

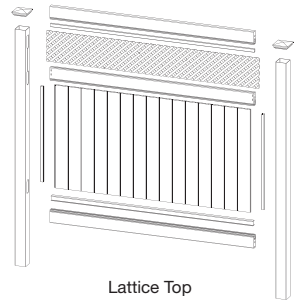
**Component list:**

Description
Rails
Boards
U-Channels
Pickets*
Lattice*

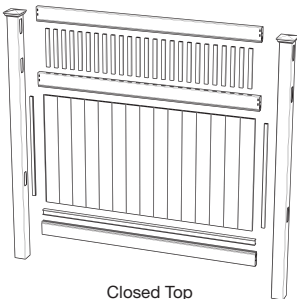
\*Included depending on style



Full Privacy



Lattice Top



Closed Top



Open Top



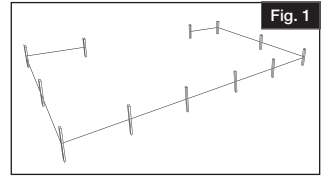
8' High Full Privacy

# 1.

Mark the fence location using string and line stakes (Fig. 1).

**NOTE:**

Plan gate placement, opening and hardware clearance before installing fencing.



# 2.

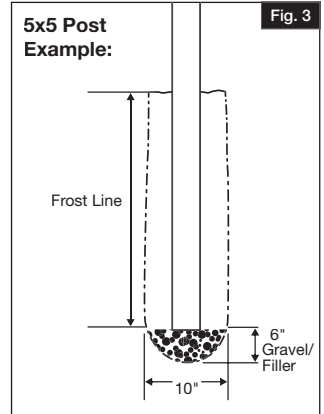
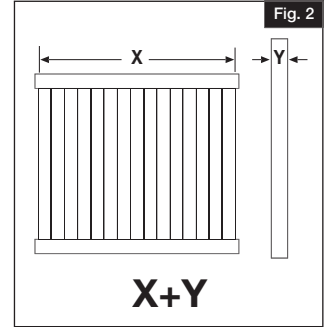
**Post Location:**

Measure the width of the fence panel (X) plus the width of the post (Y). This is the common center-to-center measurement (unless there is a cut-down panel) for post hole location (Fig. 2).

**Post Installation:**

Dig the first two post holes. Hole size should be dug based on the following determination: Depth is determined by your local frost line measurements plus 6" for gravel/filler (Fig. 3). Width is determined by the post size. See chart below for measurements:

Diameters based on post size:
10" for 5" x 5" post
8" for 4" x 4" post

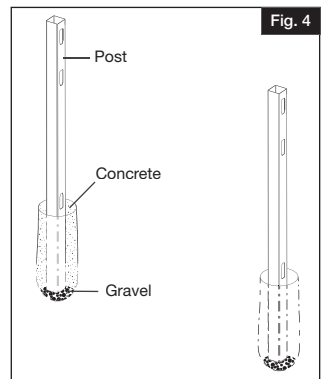


# 3.

Insert 6" of gravel/filler into the bottom of both holes and then set both posts into the ground and level the first post.

Add wet or dry concrete mix according to manufacturer's instructions to the top of the first post hole (Fig. 4). Make sure panel will be 2" above the ground.

After setting first fence section, proceed systematically with post, panel, post, etc.

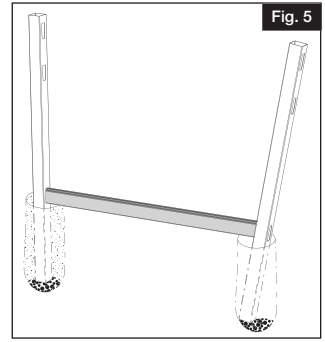


# 4.

When included in kit, place aluminum insert into bottom rail, then insert bottom rail into bottom post route hole of first post only (Fig. 5). Panels with 7" rails and 8x6 panels do not require aluminum inserts.

*NOTE:*

8x8 panels will use aluminum inserts in the middle rail.

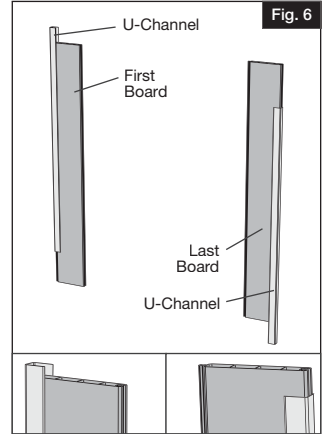


# 5.

Attach U-channels to two end boards (Fig. 6).

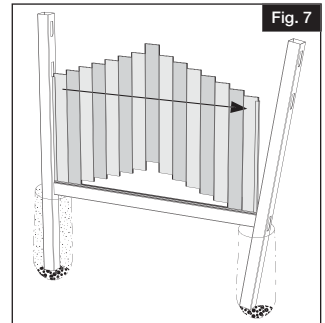
*NOTE:*

Attach U-Channel to "tongue" side of first board, and "groove" side of last board.



# 6.

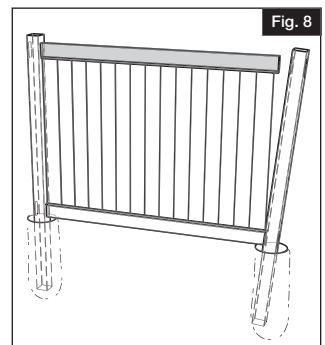
Insert boards into bottom rail ensuring U-channels are on both ends. Start from first installed post and work towards second post (Fig. 7).



# 7.

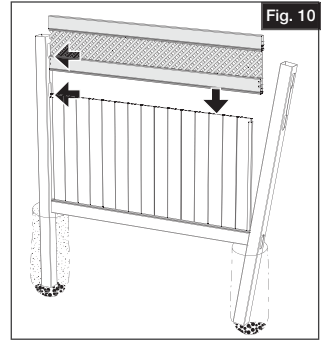
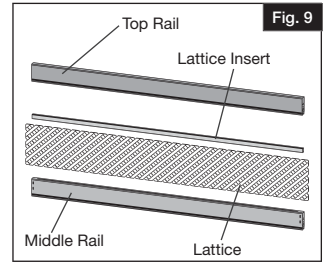
**For Full Privacy Panels (Excluding 8' High):**

- Insert the top rail into the first top hole post route then guide over top of boards (Fig. 8).
- Proceed to Step 8.



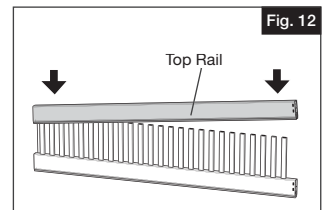
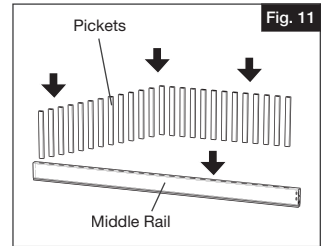
**For Lattice Top Panels:**

- a. Add the lattice insert over the top of the lattice (Fig. 9).
- b. Place lattice into the middle rail followed by the top rail.
- c. Finally, add the completed top assembly into the route holes of the first post (Fig. 10).
- d. Proceed to Step 8.



**For Closed Top Panels:**

- a. Insert pickets into middle rail (Fig 11).
- b. Guide top rail over picket tops (Fig. 12).
- c. Finally, add the completed top assembly into the route holes of the first post (Fig. 13).
- d. Proceed to Step 8.



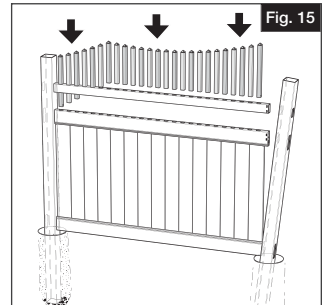
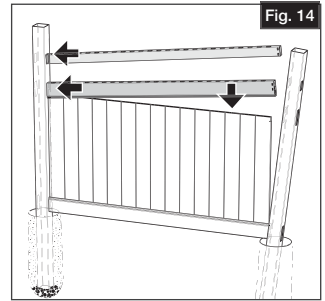
### For Open Top Panels with Pickets:

- a. Attach middle rail into left side of post route only then guide rail over boards. Insert top rail into left post route holes of first post only (Fig. 14).
- b. Insert pickets down through top and middle rail (Fig. 15).

**NOTE:**

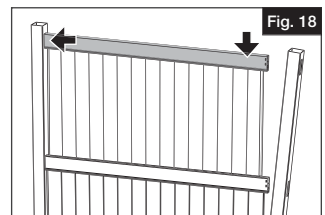
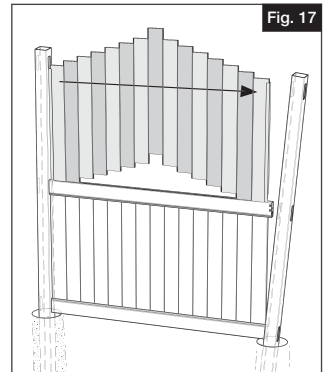
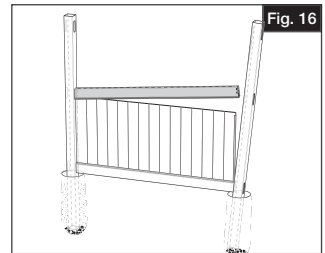
Scalloped and Arched panels have pickets/boards that are numbered. Start from left side with the #1 picket/board first.

- c. Proceed to Step 8.



### For 3-Rail (8' High) Privacy Panels:

- a. Insert the middle rail into middle post route holes of first post only (Fig. 16).
- b. Insert top boards into middle rail ensuring U-Channels are on both ends. Start from first installed post and work towards second post (Fig. 17).
- c. Insert the top rail into the first top hole post route then guide over top of boards (Fig. 18).
- d. Proceed to Step 8.



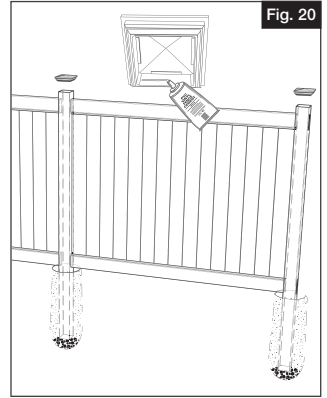
8.

Insert the completed fence panel into the route holes of the second fence post. Plumb and level the post and add concrete according to manufacturers instructions to top of hole (Fig. 19).



9.

Apply glue on inside rim of post tops then attach to posts (Fig. 20). Repeat these steps until completed.



## Transferable Limited Lifetime Warranty

What is covered: Barrette Outdoor Living warrants vinyl and aluminum products to include; vinyl and aluminum fence, vinyl and aluminum railing and plastic lattice against defects in materials or workmanship for as long as you own your home. Barrette Outdoor Living will at its option replace the product in question with new product of the same or equivalent value at no charge. Barrette Outdoor Living warrants these products against peeling, flaking, splintering, corrosion, rusting or abnormal discoloration under normal use. This warranty extends to the original purchaser or transferee as specified herein on the products noted above. Separate and distinct warranties for hardware and other products are not covered under this warranty.

What this warranty does not cover: This limited warranty does not cover damage resulting from accident, unreasonable use, neglect, alteration, improper service, improper installation, acts of God or any other causes not arising out of defects in materials or workmanship. Additionally, this warranty does not cover costs of installation, removal, reinstallation or surface mold and mildew created by excessive environmental conditions. Any service or repair provided outside the scope of this limited warranty shall be at Barrette Outdoor Living's rate and terms then in effect.

What do we do to correct the problems? Should your Barrette Outdoor Living product prove defective under warranty, reference the website or call the phone number listed below. Your problem will be assigned a tracking number and an authorized Barrette Outdoor Living representative will contact you to arrange a convenient time to schedule an onsite inspection, or request pictures, if need be. If after inspection product is deemed to be manufacturer defect we will make arrangements to rectify the issue. You must have proof of your purchase in order for the problem to be corrected.

Transferee Coverage: Warranty coverage will be extended to one transferee on the above listed products with the following limitations. Transferee must obtain an original or copy of the initial sales receipt (with proof of date) from the previous owner(s). Additionally, if fence is purchased from a builder or installer, documentation must be supplied that names the product installed on property and date of transfer.

Registration: To activate this warranty, the online registration card must be completed and returned to Barrette Outdoor Living within 30 days of installation.

Additionally, this Warranty does not cover damage associated with surface mold and mildew resulting from environmental conditions including air pollution, or any other causes not arising out of defects in materials or workmanship by Barrette Outdoor Living.

This Warranty does not cover costs of removal or disposal of product, or reinstallation of replacement product. Any service provided outside the scope of this limited Warranty shall be at Barrette Outdoor Living's standard rate and terms then in effect.

Barrette Outdoor Living reserves the right to discontinue or modify any of its products, including the color of its products, without notice to the homeowner/consumer, and Barrette Outdoor Living does not warrant that any replacement material will match or be identical to the original product as replacement products may vary in color or gloss in comparison to the original product as a result of normal weathering. If Barrette Outdoor Living replaces any material under this Warranty, it may substitute products designated by Barrette Outdoor Living to be of comparable quality or price range in the event the product initially installed has been discontinued or modified.

THIS WARRANTY IS IN LIEU OF ALL CONDITIONS OR WARRANTIES, EXPRESS OR IMPLIED, INCLUDING BUT NOT LIMITED TO ANY IMPLIED CONDITIONS OR WARRANTIES OF MERCHANTABILITY OR FITNESS FOR A PARTICULAR PURPOSE ON THE PART OF BARRETTE OR ITS LICENSORS, SOME STATES DO NOT ALLOW THE EXCLUSIONS OF IMPLIED WARRANTIES OR LIMITATIONS OF HOW LONG AN IMPLIED WARRANTY LASTS, SO THE ABOVE LIMITATIONS MAY NOT APPLY TO YOU. IF THE PRODUCT IS DEFECTIVE PER THE ABOVE COVERAGES, YOUR SOLE AND EXCLUSIVE REMEDY SHALL BE REPAIR OR REPLACEMENT AS PROVIDED ABOVE. BARRETTE AND ITS LICENSORS SHALL NOT BE LIABLE FOR ANY DAMAGES, LOSS OF USE, LOSS OF PROFITS OR INTERRUPTION OF BUSINESS WHETHER SUCH ALLEGED DAMAGES ARE BASED IN WARRANTY, TORT, CONTRACT, OR INDEMNITY. SOME STATES DO NOT ALLOW THE EXCLUSION OF LIMITATIONS OF INCIDENTAL OR CONSEQUENTIAL DAMAGES, SO THE ABOVE LIMITATIONS MAY NOT APPLY TO YOU. THIS WARRANTY IS VALID ONLY IN THE UNITED STATES AND CANADA.

For any specific questions about the Barrette Outdoor Living Warranty please contact Barrette Outdoor Living by visiting our website [www.barretteoutdoorliving.com](http://www.barretteoutdoorliving.com), emailing or calling 1-800-336-2383.

To begin your warranty coverage and register your product visit: [www.barretteoutdoorliving.com](http://www.barretteoutdoorliving.com). Retain manual and your dated sales slip for future reference or warranty claims.