



Item #1000 xxx xxx
Model #68108

USE AND CARE GUIDE

COMFORT BREEZE™ THERMOSTATIC REMOTE CONTROL



Questions, problems, missing parts? Before returning to the store, call Customer Service
8 a.m. - 6 p.m., EST, Monday-Friday, 9 a.m. - 6 p.m., EST Saturday
1-855-HD HAMPTON
HAMPTONBAY.COM

*We appreciate the trust and confidence you have placed in Hampton Bay through the purchase of this remote control. We strive to continually create quality products designed to enhance your home. Visit us online to see our full line of products available for your home improvement needs.
Thank you for choosing Hampton Bay!*

Safety Information

WARNING: To reduce the risk of fire or injury, do not use this product in conjunction with any variable (rheostat) wall control.

CAUTION: Incorrect wire connections will damage this receiver.

- Read and save these instructions.
 - All wiring must be in accordance with the National Electrical Code ANSI/NFPA 70-1999 and local electrical codes. Electrical installation should be performed by a qualified licensed electrician.
 - The supply to the remote control receiver should be connected through a mains switch, i.e. existing wall switch.
 - Disconnect from the power supply at the wall switch before working on the remote control receiver or ceiling fan.
- Install the receiver into the ceiling fan canopy of the fan to ensure proper protection.
 - This unit is to be used for the control of the ceiling fan and in a AC110/120V 60Hz power supply only.
 - Acceptable for installation in damp locations. Do not immerse in water.
 - The remote must be stored in a dry location when not in use.
 - Electrical diagrams are for reference only.
 - Do not pull on or cut leads shorter.
 - Do not drop or bump the unit.
 - After making the electrical connections, secure each with electrical tape; spliced conductors should be turned upward and pushed carefully up into the outlet box. The wires should be spread apart with the grounded conductor and the equipment-grounding conductor on one side of the outlet box.

Warranty

The supplier warrants the remote control and receiver to be free from defects in workmanship and material present at time of shipment from the factory for a period of one year after the date of purchase by the original purchaser. We agree to correct such defects without charge or at our option replace with a comparable or superior model if the product is returned. To obtain warranty service, you must present a copy of the receipt as proof of purchase. All costs of removing and reinstalling the product are your responsibility. Damage to any part such as by accident or misuse or improper installation or by affixing any accessories, is not covered by this warranty. Servicing performed by unauthorized persons shall render the warranty invalid. There is no other express warranty. Home Depot hereby disclaims any and all warranties, including but not limited to those of merchantability and fitness for a particular purpose to the extent permitted by law. The duration of any implied warranty which cannot be disclaimed is limited to the time period as specified in the express warranty. Some states do not allow a limitation on how long an implied warranty lasts, so the above limitation may not apply to you. The retailer shall not be liable for incidental, consequential, or special damages arising out of or in connection with product use or performance except as may otherwise be accorded by law. Some states do not allow the exclusion of incidental or consequential damages, so the above exclusion or limitation may not apply to you. This warranty gives specific legal rights, and you may also have other rights which vary from state to state. This warranty supersedes all prior warranties. Shipping costs for any return of product as part of a claim on the warranty must be paid by the customer.

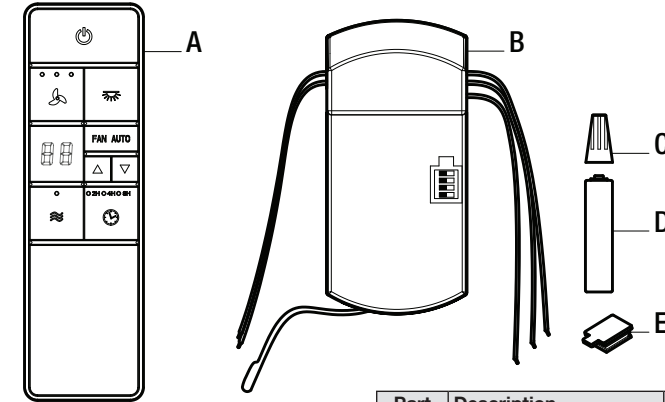
Contact the Customer Service Team at 1-855-HD HAMPTON or visit www.HAMPTONBAY.COM

Pre-Installation

TOOLS REQUIRED



PACKAGE CONTENTS



IMPORTANT: This product and/or components are governed by one or more of the following U.S. Patents: 5,947,436; 5,988,580; 6,010,110; 6,046,416, 6,210,117 and other patents pending.

Part	Description	Quantity
A	Transmitter	1
B	Receiver	1
C	Plastic wire connector	5
D	AAA battery (1.5 V)	2
E	Silicone rubber plug	1

Installation

1 Setting the codes on the remote control and receiver

NOTE: The frequencies on your receiver and hand unit have been preset at the factory. Before installing the receiver, make sure the dip switches on the receiver and hand unit are set to the same frequency. The dip switches on the hand unit are located inside the battery compartment.

NOTE: The battery will weaken with age and should be replaced before leaking takes place as this will damage the hand unit. Dispose of the used battery properly and keep the battery out of the reach of children.

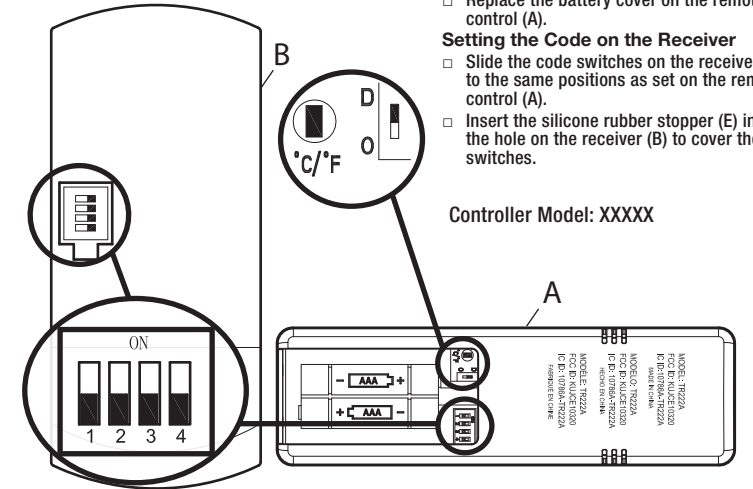
NOTE: It is imperative that the code used for both transmitter and receiver is exactly the same, otherwise remote controller will not work.

Setting the Code on the Remote

- Remove the battery cover on the back of the remote control (A) by pressing firmly on the arrow and sliding the cover off.
- Slide the code switches to your choice of either up or down. The factory setting is up.
- From the factory, the remote displays °F, slide the dip switch °C/°F to display °C.
- For fans with incandescent bulbs, slide the dip switch O/D to the position marked "D", if you are not using incandescent bulbs slide the dip switch to the "O" position.
- Install 2 AAA batteries (included).
- Replace the battery cover on the remote control (A).

Setting the Code on the Receiver

- Slide the code switches on the receiver (B) to the same positions as set on the remote control (A).
- Insert the silicone rubber stopper (E) into the hole on the receiver (B) to cover the dip switches.



Installation (continued)

2 Installing the receiver

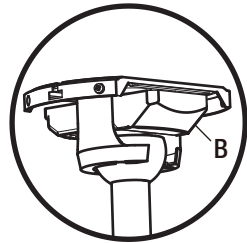
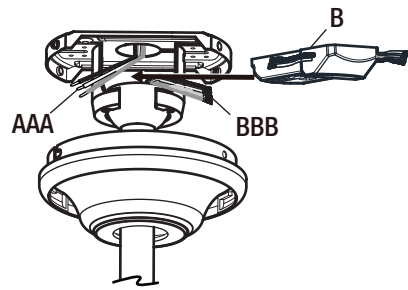
WARNING: To reduce the risk of fire or electric shock, remember to disconnect power. The electrical wiring must meet all local and national electrical code requirements. The electrical source and fan must be 110/120 volt, 60Hz. Do not use this product in conjunction with any variable wall control. Incorrect wire connection can damage this receiver.

CAUTION: If other fan wires are a different color, have this unit installed by a licensed electrician.

CAUTION: Do not install in a damp location or immerse in water (For indoor use only). Do not pull on or cut leads shorter. Do not drop or bump the unit.

NOTE: The ceiling fan must be set at HIGH speed and light kit (if installed) should be set to the ON position.

NOTE: The battery will weaken with age and should be replaced before leaking takes place as this will damage the transmitter. Dispose of used battery properly. Keep the remote out of the reach of children.



Receiver (B) correctly positioned in the mounting bracket.

- Position the house supply wires (AAA) to one side of the slide-on mounting bracket (A); position the fan wires (BBB) to the opposite side.
- Insert the narrow end of the receiver (as shown, flat side towards the ceiling) into the slide-on mounting bracket until it rests on top of the ball/downrod assembly.

Installation (continued)

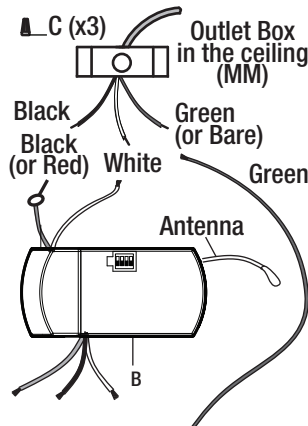
3 Wiring the receiver to the household wiring

WARNING: To avoid possible electrical shock, turn the electricity off at the main fuse box before wiring. If you feel you do not have enough electrical wiring knowledge or experience, contact a licensed electrician.

WARNING: Each wire not supplied with this fan is designed to accept up to one 12-gauge house wire and two wires from the fan. If you have larger than 12-gauge house wiring or more than one house wire to connect to the fan wiring, consult an electrician for the proper size wire nuts to use.

IMPORTANT: Use the wire connecting nuts (AA) supplied with your fan. Secure the connectors with electrical tape and ensure there are no loose strands or connections.

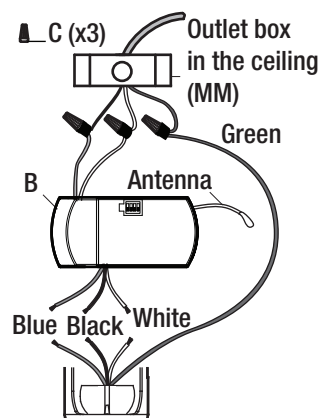
- Spread the wires apart so that the green and white wires are on one side of the outlet box and the black wire is on the other side.
- Connect the green fan wires to the household ground wire (this may be a green or bare wire) using a wire connecting nut (AA).
- Connect the receiver black (or red) wire to the household black (hot) wire using a wire connecting nut (AA).
- Connect the receiver white wire to the household white wire (neutral) wire using a wire connecting nut (AA).
- Secure each wire connecting nut using electrical tape.



4 Wiring the fan to the receiver

IMPORTANT: Use the wire connecting nuts (AA) supplied with your fan. Secure the connectors with electrical tape and ensure there are no loose strands or connections.

- Connect the fan motor white wire to the receiver white wire using a wire connecting nut (AA).
- Connect the fan motor black wire to the receiver black wire using a wire connecting nut (AA).
- Connect the fan motor blue wire to the receiver blue wire using a wire connecting nut (AA).
- Secure each wire connecting nut using electrical tape.
- Turn the wire connecting nut (AA) upward and push the wiring into the outlet box (MM).



Operation

1 Operating the remote control

ON - Press and release the **ON** button to turn the fan on or off.

OFF - Press and hold the **OFF** button for 3 seconds to use the "walk away time delay"; this will activate the light for 30 seconds (if you are using dimmable bulbs the light will be activated at 50% brightness).

1 - Press and release 1 time - turns the fan on high speed.

2 - Press and release 2 times - turns the fan on medium speed.

3 - Press and release 3 times - turns the fan on low speed.

4 - Press and release 4 times - turns the fan off.

FAN AUTO - Press and hold this button for 3 seconds to enable Comfort Breeze™; this will change your fan speed randomly, simulating a relaxing breeze. To cancel this feature press **OFF** or **ON**.

2H - While the fan is on press 1 time - turns on a 2 hour run timer.

4H - While the fan is on press 2 times - turns on a 4 hour run timer.

8H - While the fan is on press 3 times - turns on an 8 hour run timer.

FAN AUTO - This setting allows the fan to automatically turn on and off at a previously set room temperature.

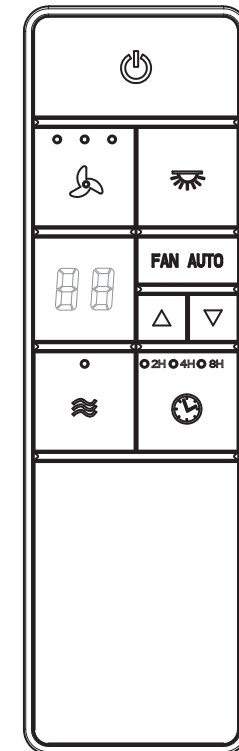
+ - Press 1 time to adjust the set temperature + 1°, press and hold to raise the set temperature multiple degrees.

- - Press 1 time to adjust the set temperature - 1°, press and hold to lower the set temperature multiple degrees.

TEMP - Digital display shows the set temperature when **+** or **-** is pressed.

LIGHT - Press and release the **LIGHT** button to turn the light on or off.

If you are using dimmable bulbs and you have previously set O/D dip switch in your remote to the "D" position, press and hold the **LIGHT** button to activate the dimmer function.



Troubleshooting

Problem	Solution
The fan will not start.	<ul style="list-style-type: none"> Check the main and branch circuit fuses or breakers. Check to make sure the wall switch is in the on position if applicable. Check the line wire connections to the fan and switch wire connections in the switch housing. Check the battery in the transmitter. Ensure you are in the normal range of 10-20 ft (3-6m). Ensure the dip switch settings are the same on the transmitter and receiver. Remember to turn off the power supply before checking the dip switches settings.

This equipment has been tested and found to comply with the limits for a Class B digital device, pursuant to Part 15 of the FCC Rules. These limits are designed to provide reasonable protection against harmful interference in a residential installation. This equipment generates, uses and can radiate radio frequency energy and, if not installed and used in accordance with the instructions, may cause harmful interference to radio communications. However, there is no guarantee that interference will not occur in a particular installation. If this equipment does cause harmful interference to radio or television reception, which can be determined by turning the equipment off and on, the user is encouraged to try to correct the interference by one or more of the following measures:

- Reorient or relocate the receiving antenna.
- Increase the separation between the equipment and receiver.
- Connect the equipment into an outlet on a circuit different from that to which the receiver is connected.
- Consult the dealer or an experienced radio/TV technician for help.

CAUTION:

Any changes or modifications not expressly approved by the grantee of this device could void the user's authority to operate the equipment.

FCC ID: KUJCE10320

This device complies with Part 15 of the FCC Rules. Operation is subject to the following two conditions: (1) This device may not cause harmful interference, and (2) this device must accept any interference received, including interference that may cause undesired operation.



Artículo núm. 1000 xxx xxx
Modelo núm. 68108

GUÍA DE USO Y MANTENIMIENTO

CONTROL REMOTO TERMOSTÁTICO COMFORT BREEZE™



¿Preguntas, problemas o piezas faltantes? Antes de regresar a la tienda, llama al servicio al cliente de lunes a viernes entre 8:00 a.m. y 6:00 p.m. (hora estándar del Este), y los sábados de 9:00 a.m. a 6:00 p.m. (hora estándar del Este)
1-855-HD HAMPTON
HAMPTONBAY.COM

Apreciamos la confianza que has depositado en Hampton Bay al comprar este control remoto. Nos esforzamos continuamente en crear productos de calidad diseñados para mejorar tu hogar. Visítanos por Internet para ver nuestra línea completa de productos disponibles para las necesidades de mejoras de tu hogar.
¡Gracias por elegir Hampton Bay!

Instalación (continuación)

2 Cómo instalar el receptor

ADVERTENCIA: Para reducir el riesgo de incendio o de descarga eléctrica, recuerda desconectar la electricidad. El cableado eléctrico debe cumplir todos los requisitos de los códigos eléctricos nacionales y locales. La fuente de energía y el ventilador tienen que ser de 110/120 V y 60 Hz. No utilices este producto con ningún control de pared variable. Conectar el cableado de manera incorrecta dañará este receptor.

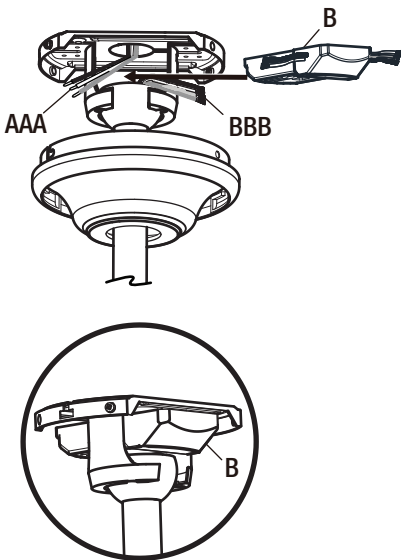
PRECAUCIÓN: Si otros cables del ventilador son de color diferente, un electricista certificado deberá instalar esta unidad.

PRECAUCIÓN: No instales en lugares húmedos ni sumerjas en agua (solo para uso en interiores). No hales ni recortes los cables terminales. No dejes caer ni golpees la unidad.

NOTA: El ventilador de techo debe estar configurado en velocidad ALTA y el kit de luces (si lo tiene) en la posición de ENCENDIDO.

NOTA: La batería se debilitará con el tiempo y deberá ser reemplazada antes de que se produzca alguna fuga ya que esto dañará el transmisor. Desecha adecuadamente las baterías usadas. Mantén el control remoto fuera del alcance de los niños.

- Ubica los cables de suministro doméstico (AAA) a un lado del soporte de montaje deslizante (A) y coloca los cables del ventilador (BBB) en el lado opuesto.
- Inserta el extremo angosto del receptor (como se muestra: el lado plano hacia el techo) en el soporte de montaje deslizante hasta quedar apoyado en la parte superior del ensamblaje del tubo bajante/estera.



Receptor (B) correctamente colocado en el soporte de montaje.

Información de seguridad

ADVERTENCIA: Para reducir el riesgo de incendio o lesiones, no utilices este producto con ningún control de pared variable (reóstato).

PRECAUCIÓN: Conectar el cableado de manera incorrecta dañará este receptor.

- Lee y guarda estas instrucciones.
- Todo el cableado debe cumplir con el Código Nacional de Electricidad ANSI/NFPA 70-1999 y con los códigos locales de electricidad. La instalación eléctrica debe ser hecha por un electricista certificado y calificado.
- El suministro al receptor del control remoto debe estar conectado a un interruptor principal, por ejemplo, un interruptor de pared ya existente.
- Desconecta el suministro de energía del interruptor de pared antes de trabajar en el receptor del control remoto o ventilador de techo.

- Instala el receptor en la cubierta del ventilador para asegurar protección adecuada.
- Esta unidad debe usarse solamente para controlar ventiladores de techo en una fuente de corriente de CA de 110 V y 60 Hz.
- Apropiado para la instalación en lugares húmedos. No sumerjas en agua.
- Cuando no esté en uso, debes guardar este control remoto en un lugar seco.
- Los diagramas eléctricos son sólo para referencia.
- No hales ni recortes los cables terminales.
- No dejes caer ni golpees la unidad.
- Después de concluir las conexiones eléctricas, asegúralas con cinta de electricista. Debes voltear los conductores empalmados hacia arriba y meterlos con cuidado en la caja eléctrica. Los cables deben desplegarse separados con el conductor a tierra y el conductor a tierra del equipo, hacia uno de los lados de la caja eléctrica.

Garantía

El proveedor garantiza que el control remoto y el receptor no presentan defectos de fabricación ni de materiales, al momento en que es enviado desde la fábrica, por un período de un año a partir de la fecha de adquisición por el comprador original. Acordamos reparar todos los defectos del tipo antes mencionado sin cargo alguno o, a nuestra discreción, reemplazar el producto por un modelo de igual calidad o superior si el producto es devuelto. Para obtener servicio de garantía, tiene que presentar una copia del recibo como comprobante de compra. Todos los costos de retiro y reinstalación del producto correrán por tu cuenta. No están cubiertos bajo esta garantía los daños a ninguna de las piezas como resultado de accidentes, instalación o uso incorrectos o por instalación de cualquier accesorio. Cualquier servicio realizado por personal no autorizado invalidará la garantía. No hay ninguna otra garantía expresa. Por este medio The Home Depot queda exento de todas y cada una de las garantías, incluyendo pero sin limitarse a aquellas de comercialización e idoneidad para un fin particular, en el alcance permitido por la ley. La duración de cualquier garantía implícita que no se pueda eximir está limitada al período especificado en la garantía explícita. Algunos estados no permiten limitar la duración de la garantía; por consiguiente, la limitación anterior puede no aplicarse a su caso. El minorista no será responsable por daños directos, indirectos o especiales que resulten o deriven del uso o rendimiento del producto, excepto en casos en que lo estipule la ley. Algunos estados no permiten excluir ni limitar daños directos o indirectos, por lo que la limitación o exclusión anterior podría no aplicarse a su caso. Esta garantía otorga derechos legales específicos y es posible que usted tenga también otros derechos que varían de un estado a otro. Esta garantía sustituye todas las garantías anteriores. Los costos de envío de cualquier devolución de productos como parte de una reclamación de garantía corren por cuenta del cliente. Comuníquese con el equipo de servicio al cliente llamando al 1-855-HD -HAMPTON o visite www.HAMPTONBAY.COM

Instalación (continuación)

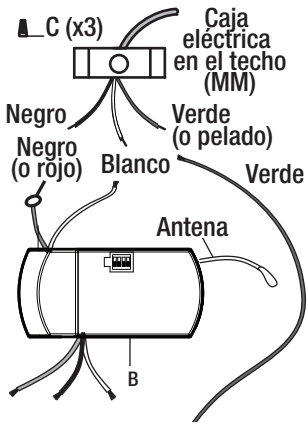
3 Cómo conectar los cables del receptor a los cables del hogar

ADVERTENCIA: Para evitar una posible descarga eléctrica, desconecta la electricidad de la caja de fusibles principal antes de realizar el cableado. Si crees que no tienes suficiente conocimiento o experiencia sobre cableado eléctrico, contacta a un electricista certificado.

ADVERTENCIA: Cada cable no suministrado con este ventilador está diseñado para aceptar un máximo de un solo circuito eléctrico doméstico de calibre 12 y dos cables del ventilador. Si tienes un cableado doméstico superior a calibre 12 o más de un cable doméstico para conectar al cableado del ventilador, consulta a un electricista para precisar el tamaño adecuado de las tuercas para cables a usar.

IMPORTANTE: Usa las tuercas de conexión de cables (AA) incluidas con tu ventilador. Sujeta los conectores con cinta de electricista y asegúrate de que no haya conexiones o cables sueltos.

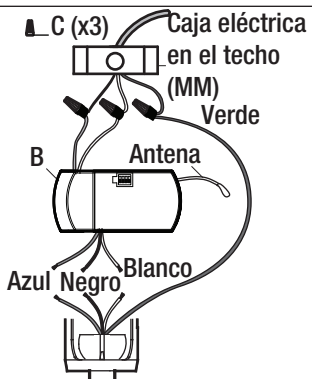
- Separa los cables de manera que los cables verde y blanco queden de un lado de la caja eléctrica y el cable negro quede del otro lado.
- Conecta los cables verdes del ventilador al cable de conexión a tierra de la casa (este puede ser verde o pelado) con una tuerca de conexión de cables (AA).
- Conecta el cable negro (o rojo) del receptor al cable negro del hogar (positivo), usando una tuerca de conexión de cables (AA).
- Conecta el cable blanco del receptor al cable blanco del hogar (neutro), usando una tuerca de conexión de cables (AA).
- Asegura cada tuerca de conexión de cables con cinta de electricista.



4 Cómo conectar los cables del ventilador al receptor

IMPORTANTE: Usa las tuercas de conexión de cables (AA) incluidas con tu ventilador. Sujeta los conectores con cinta de electricista y asegúrate de que no haya conexiones o cables sueltos.

- Conecta el cable blanco del motor del ventilador al cable blanco del receptor usando una tuerca de conexión de cables (AA).
- Conecta el cable negro del motor del ventilador al cable negro del receptor usando una tuerca de conexión de cables (AA).
- Conecta el cable azul del motor del ventilador al cable azul del receptor usando una tuerca de conexión de cables (AA).
- Asegura cada tuerca de conexión de cables con cinta de electricista.
- Gira la tuerca de conexión de cables (AA) hacia arriba y coloca el cableado dentro de la caja eléctrica (MM).

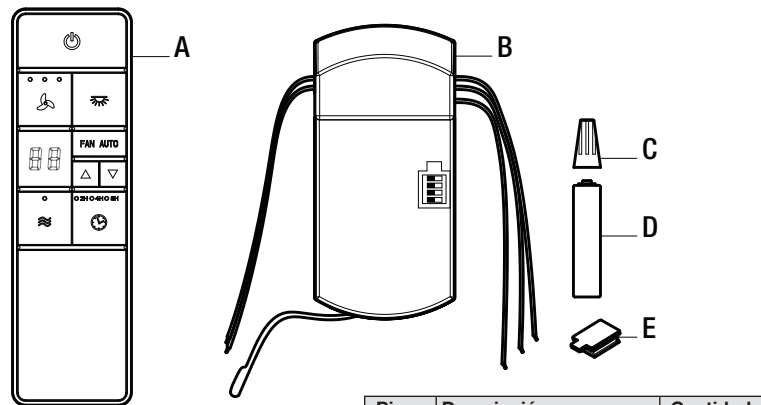


Preinstalación

HERRAMIENTAS NECESARIAS



CONTENIDO DEL PAQUETE



IMPORTANTE: Este producto y/o sus componentes están protegidos por una o más de las siguientes patentes de E.E. U.U.: 5,947,436; 5,988,580; 6,010,110; 6,046,416, 6,210,117 y otras patentes pendientes.

Pieza	Descripción	Cantidad
A	Transmisor	1
B	Receptor	1
C	Conector plástico para cables	5
D	Batería AAA (1.5 V)	2
E	Enchufe de goma de silicona	1

Funcionamiento

1 Cómo operar el control remoto

- Oprime y suelta el botón para encender o apagar el ventilador.
 - Mantén presionado el botón durante 3 segundos para usar el "temporizador inmediato"; esto encenderá las luces durante 30 segundos (si usas bombillas regulables, las luces se encenderán al 50% de su brillo).
- Oprime y suelta 1 vez - para encender el ventilador a velocidad alta.
- Oprime y suelta 2 veces - para encender el ventilador a velocidad media.
- Oprime y suelta 3 veces - para encender el ventilador a velocidad baja.
- Oprime y suelta 4 veces - para apagar el ventilador.
- Mantén presionado este botón durante 3 segundos para activar el modo Comfort Breeze™. Este cambiará la velocidad del ventilador al azar, simulando una brisa relajante. Para cancelar esta función, oprime o .
- Con el ventilador encendido, oprime 1 vez - para activar el temporizador con 2 horas de funcionamiento.
- Con el ventilador encendido, oprime 2 veces - para activar el temporizador con 4 horas de funcionamiento.
- Con el ventilador encendido, oprime 3 veces - para activar el temporizador con 8 horas de funcionamiento.

FAN AUTO - Esta configuración permite que el ventilador se encienda y apague automáticamente para mantener la temperatura ambiente establecida previamente.

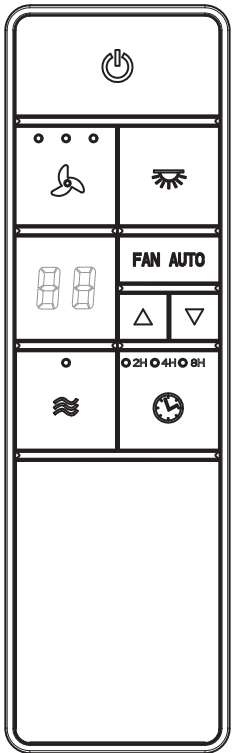
- Oprime 1 vez para ajustar la temperatura establecida + 1°; mantén presionado para aumentar varios grados la temperatura establecida.

- Oprime 1 vez para ajustar la temperatura establecida - 1°; mantén presionado para bajar varios grados la temperatura establecida.

- La pantalla digital muestra la temperatura establecida al oprimir o .

- Oprime y suelta el botón para encender o apagar las luces.

Si utilizas bombillas regulables y previamente configuraste el interruptor 0/D del control remoto en la posición "D", mantén presionado el botón para activar la función de regulador.



Instalación

1 Cómo configurar los códigos del control remoto y el receptor

NOTA: Las frecuencias del receptor y de la unidad de mano han sido preconfiguradas en la fábrica. Antes de instalar el receptor, asegúrate de que los interruptores en línea del receptor y de la unidad de mano estén configurados en la misma frecuencia. Los interruptores en línea de la unidad de mano están ubicados dentro del compartimiento de la batería.

NOTA: La batería se debilitará con el tiempo y deberá ser reemplazada antes de que se produzca alguna fuga, ya que esto dañará la unidad de mano. Desecha la batería adecuadamente y mantenla fuera del alcance de los niños.

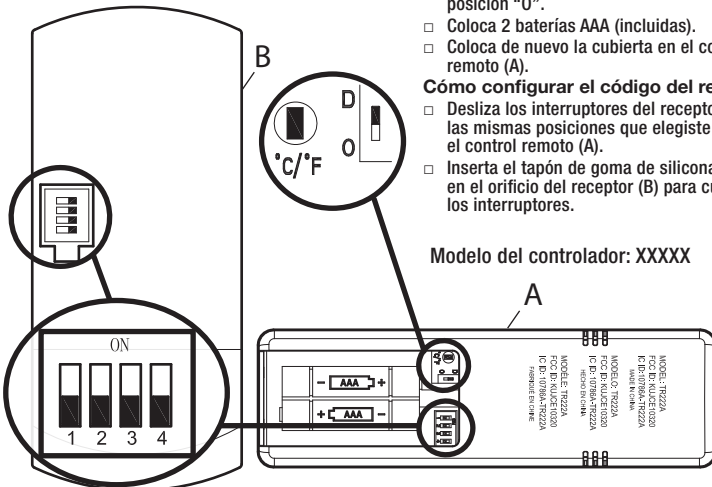
NOTA: Es obligatorio que el código utilizado tanto para el transmisor como para el receptor sea exactamente el mismo, ya que de otra manera, el control remoto no funcionará.

Cómo configurar el código del control remoto

- Quita la cubierta de la batería del control remoto (A), presionando con firmeza en la flecha y deslizando la cubierta hasta que salga.
- Desliza los interruptores de código hacia arriba o hacia abajo, según tu elección. La configuración de fábrica es hacia arriba.
- De fábrica, el control remoto está en °F; mueve el interruptor °C/°F para cambiar a °C.
- Para los ventiladores con bombillas incandescentes, desliza el interruptor 0/D a la posición "D". Si no utilizas las bombillas incandescentes, desliza el interruptor a la posición "0".
- Coloca 2 baterías AAA (incluidas).
- Coloca de nuevo la cubierta en el control remoto (A).

Cómo configurar el código del receptor

- Desliza los interruptores del receptor (B) hacia las mismas posiciones que elegiste para el control remoto (A).
- Inserta el tapón de goma de silicona (E) en el orificio del receptor (B) para cubrir los interruptores.



Solución de problemas

Problema	Solución
El ventilador no enciende.	<ul style="list-style-type: none"> Verifica los fusibles y disyuntivos principales y secundarios. Asegúrate de que el interruptor de pared esté en posición de encendido (ON), si corresponde. Verifica las conexiones de cables en línea al ventilador y conexiones de cables del interruptor en la caja de interruptores. Revisa la batería del transmisor. Asegúrate de estar en el rango normal de 3 a 6 metros. Asegúrate de que las configuraciones del interruptor en línea sean las mismas para el transmisor y el receptor. Recuerda desconectar la electricidad antes de verificar las configuraciones de los interruptores en línea.

Este equipo ha sido probado y se determinó que cumple con los límites establecidos para un dispositivo digital Clase B, de acuerdo con la Parte 15 de las Normas de la FCC. Estos límites fueron establecidos para ofrecer protección razonable contra la interferencia dañina durante uso residencial. Este equipo genera, usa y puede irradiar energía de radiofrecuencia y, si no se instala y usa de acuerdo con las instrucciones, puede causar interferencia dañina a comunicaciones radiales. Sin embargo, no hay garantía de que no ocurrirá interferencia en una instalación particular. Si este equipo causa interferencia que perjudica la recepción de radio o televisión, lo cual puede determinarse encendiendo y apagando el equipo, se recomienda al usuario que trate de corregir la interferencia con una o más de las siguientes medidas:

- reorientar o reubicar la antena receptora.
- incrementar la distancia entre los equipos y el receptor.
- conectar el equipo a un tomacorriente en un circuito distinto al que el receptor está conectado.
- consultar al distribuidor o algún técnico de radio/TV con experiencia.

PRECAUCIÓN:

Los cambios o modificaciones sin aprobación expresa del responsable de este dispositivo podrían anular el derecho del usuario a operar el equipo.

ID de FCC: KJJCE10320

Este dispositivo cumple con la Parte 15 de las Normas de la FCC. Su operación está sujeta a las dos condiciones siguientes: (1) este dispositivo no debe causar interferencia dañina, y (2) este dispositivo tiene que aceptar cualquier interferencia recibida, incluyendo aquella que pueda afectar su funcionamiento.