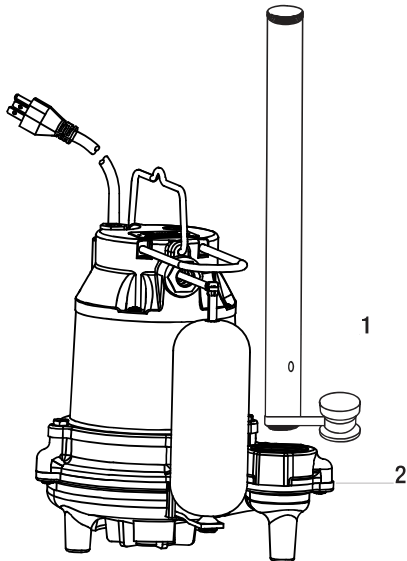


Installation

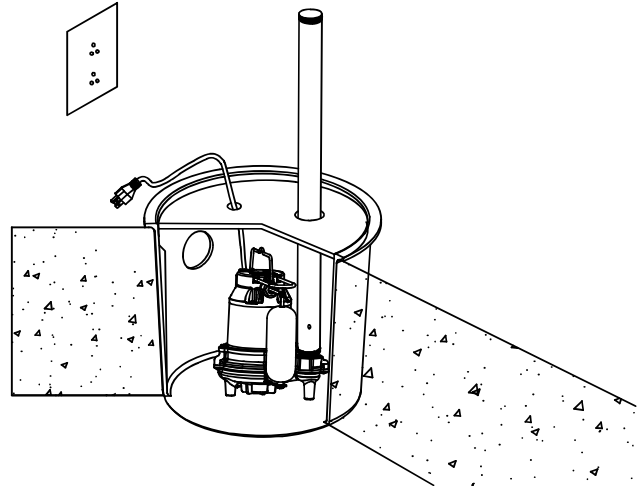
1 Connecting a discharge pipe to the pump

- Wrap the threads of the 1-1/2 in. discharge pipe (1) with thread sealant tape.
- Attach the discharge pipe (1) to the discharge of the pump (2).



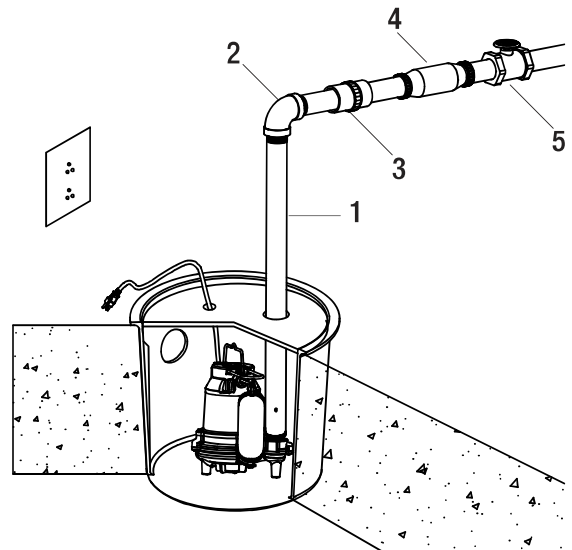
2 Placing the pump in a basin

- Place the pump on a hard surface inside a sump basin.



3 Connecting the check valve

- Connect the discharge pipe (1) to the elbow (2), union (3), check valve (4), and gate valve (5).



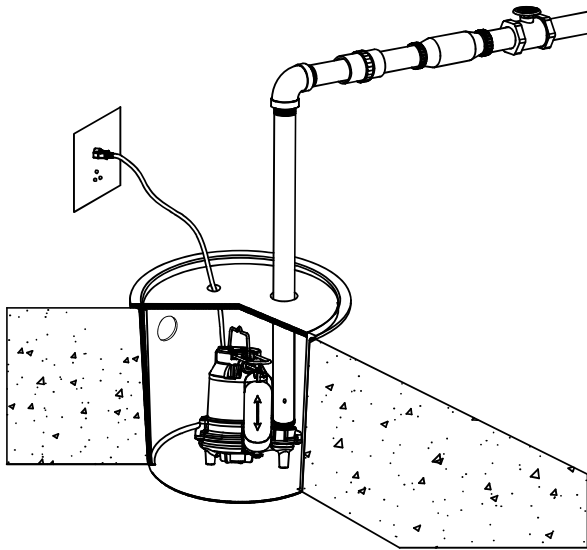
Operation

1 Connecting power and testing pump operation



NOTE: When these pumps are installed in a basin with a sealed cover, switch operation cannot be observed. The sump cover usually will have a spare that is plugged with a rubber plug. This plug can be removed and switch operation can be observed.

- Plug the pump power cord plug into a 115V GFCI power outlet.
- Run water into the pump until the pump starts. Ensure the gate valve in the discharge line is open.
- Allow the pump to operate through several on/off cycles.



2 Operating the pump

- When the float switch (1) moves up over the top of the pump, the pump begins to operate. When the water lowers to a certain level, the float switch (1) will turn the pump off.
- This pump uses an air evacuation method called a “weep hole”. The weep hole allows air to escape the pump casting to prevent air lock. When the water is pumped down to a low level, some water may stream out of the weep hole. This is normal operation.



NOTE: Ensure the pump is submerged in water. Running the pump dry can damage the pump.

