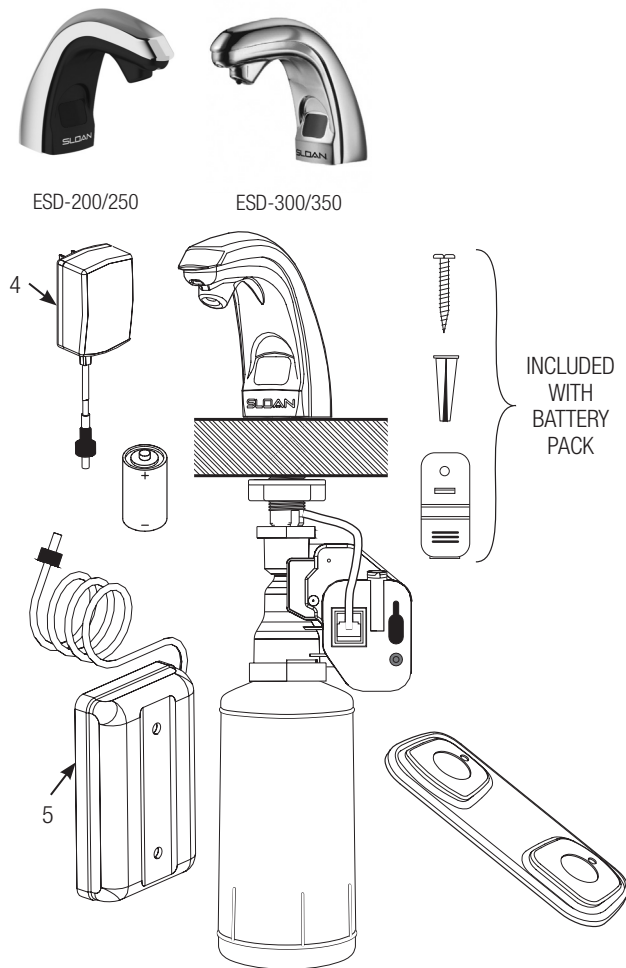


## ESD-200/250 Series Soap Dispensers

## ESD-300/350 Series Soap Dispensers



Item No.	Part No.	Description
1A	ESD-216-A	Spout Assembly (Models ESD-200 & ESD-250)
1B	ESD-235-A	Spout Assembly (Models ESD-300 & ESD-350)
2	ESD-218	Mounting Hardware Kit (Includes items 2A and 2B)
2A	ESD-222	Rubber Gasket
2B	ESD-620	Flange Nut
3	ESD-209-A	Motor Assembly
4	ESD-227	Plug-in Transformer (Hardwire Models ESD-200 & ESD-300)
5	ESD-210	Battery Pack — Includes 4 D-size batteries, Screws and Anchors for Battery Compartment and Wall Clips for Power Cord (Battery Models ESD-250 & ESD-350)
6	ESD-217	Lotion Soap Refill Cartridge 800 ml (up to 1000 hand washes)
	ESD-232	Lotion Soap Refill Cartridge 1600 ml (up to 2000 hand washes)
	ESD-231	Anti-bacterial Soap Refill Cartridge 800 ml (up to 1000 hand washes)
	ESD-233	Anti-bacterial Refill Cartridge 1600 ml (up to 2000 hand washes)
7	ESD-223	D-size Alkaline Batteries (4 required) (Models ESD-250 & ESD-350)
8	ETF-299-A	Trim Plate for ESD-20080, ESD-25085, ESD-30880 & ESD-35187 Combination Soap Dispenser and Faucet

When the Soap Bottle is empty, a new Bottle must be used. The Bottle furnished with the unit is not designed to be refilled. Altering the Bottle and refilling it with soap will void the warranty of the product.

- ESD-233 — 1600 ml. bottle of Anti-bacterial Soap
- Can also be replaced with TC® OneShot® Soap Bottles listed in chart.

Refills are available through your local plumbing or janitorial supply distributor.

### Soap Refill Cartridges Available:

- ESD-217 — 800 ml. bottle of Lotion Soap
- ESD-232 — 1600 ml. bottle of Lotion Soap
- ESD-231 — 800 ml. bottle of Anti-bacterial Soap

### I. Red LED light is flashing.

- Refill bottle is low. Check the fill level and change as needed.
- Reset button was not pressed after the refill was installed. Press and release reset button.
- If reset button is held down more than one second, the red light will stay on. To turn the red light off, press the reset button quickly and the red light will go off.

### 2. Yellow LED light is flashing (Models ESD-250 & ESD-350 only).

- Batteries are low. Replace with four (4) new D-size alkaline batteries.

### 3. Preventing soap from dispensing while cleaning.

- Place your finger over the upper right hand or left hand corner of the sensor lens.

### 4. The dispenser does not activate properly when hand is placed under spout.

- In rest rooms with fluorescent lighting, lighting that may be dying out or not burning at full intensity will cause interference with soap dispenser. Replace fluorescent tube(s) and soap dispenser will then function normally. Cool, white tubes are recommended.

### 5. Soap does not dispense when user “waves” their hands under the spout.

- Hands must be held “steady” under the spout for the dispenser to work.

### 6. Dispenser rotates due to users moving the spout.

- Tighten the existing flange nut on the shaft of the spout under the counter.
- If this problem continues, you can order a second “flange nut” (ESD-620) from Sloan Valve.

### 7. Soap does not dispense.

- Check that your power source is plugged in correctly.
- Make sure that batteries have been installed properly (Models ESD-250 & ESD-350 only).
- Make sure the pump is open on the refill bottle (see Step 5).

### 8. Tube pulls out of the refill bottle.

- The tubes have been “stitched” to prevent their removal, however please ensure that your housekeeping staff does not pick the bottle up or carry it by the tube.