


Installation Instructions

Dryers 01

Questions? Call 800.GE.CARES (800.432.2737) or visit our Web site at: GEAppliances.com

 This is the safety alert symbol. This symbol alerts you to potential hazards that can kill you or hurt you and others. All safety messages will follow the safety alert symbol and the word "DANGER", "WARNING", or "CAUTION". These words are defined as:

 **DANGER** Indicates a hazardous situation which, if not avoided, **will** result in death or serious injury.

 **WARNING** Indicates a hazardous situation which, if not avoided, **could** result in death or serious injury.

 **CAUTION** Indicates a hazardous situation which, if not avoided, **could** result in minor or moderate injury.

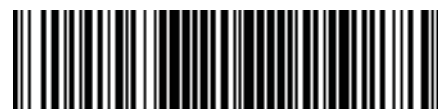
BEFORE YOU BEGIN

Read these instructions completely and carefully.

- **IMPORTANT** – Save these instructions for local electrical inspector's use.
- **IMPORTANT** – Observe all governing codes and ordinances.
- Install the clothes dryer according to the manufacturer's instructions and local codes.
- **Note to Installer** – Be sure to leave these instructions with the Consumer.
- **Note to Consumer** – Keep these instructions for future reference.
- Clothes dryer installation must be performed by a qualified installer.
- This dryer **must** be exhausted to the outdoors.
- Before the old dryer is removed from service or discarded, remove the dryer door.
- Service information and the wiring diagram are located in the control console.
- Do not allow children on or in the appliance. Close supervision of children is necessary when the appliance is used near children.
- Proper installation is the responsibility of the installer.
- Product failure due to improper installation is not covered under the Warranty.
- Install the dryer where the temperature is above 50°F for satisfactory operation of the dryer control system.
- Remove and discard existing plastic or metal foil duct and replace with UL-listed duct.

WARNING - Fire Hazard

- Clothes dryer installation must be performed by a qualified installer.
- Install the clothes dryer according to these instructions and local codes.
- **DO NOT** install a clothes dryer with flexible plastic venting materials. If flexible metal (semi-rigid or foil-type) duct is installed, it must be UL-listed and installed in accordance with the instructions found in "Connecting the Dryer to House Vent" later in this manual. Flexible vent materials are known to collapse, be easily crushed and trap lint. These conditions will obstruct dryer airflow and increase the risk of fire.
- **DO NOT** install or store this appliance in any location where it could be exposed to water or weather.
- To reduce the risk of severe injury or death, follow all installation instructions.
- Save these instructions. (Installers: Be sure to leave these instructions with the customer.)



234D2318P001
31-16767-2 06-15 GE

Installation Instructions

State of California Proposition 65 Warnings:

The California Safe Drinking Water and Toxic Enforcement Act requires the governor of California to publish a list of substances known to the state to cause cancer, birth defects or other reproductive harm and requires businesses to warn of potential exposure to such substances.



WARNING

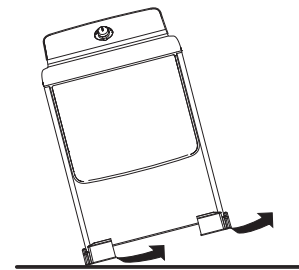
This product contains one or more chemicals known to the State of California to cause cancer, birth defects or other reproductive harm.

Gas appliances can cause low-level exposure to some of these substances, including benzene, carbon monoxide, formaldehyde and soot, caused primarily by the incomplete combustion of natural gas or LP fuels. Exposure to these substances can be minimized by properly venting the dryer to the outdoors.

UNPACKING YOUR DRYER

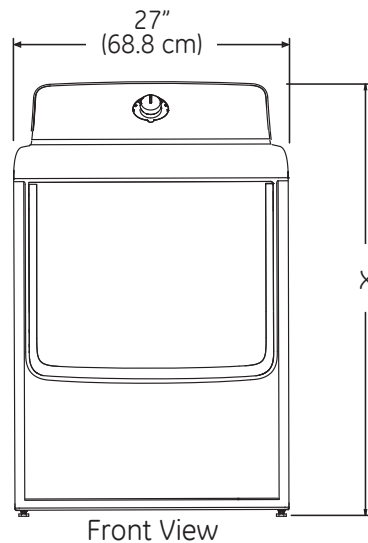
Tilt the dryer sideways and remove the foam shipping pads by pulling at the sides and breaking them away from the dryer legs. Be sure to remove all of the foam pieces around the legs.

Remove literature and bag containing accessories.

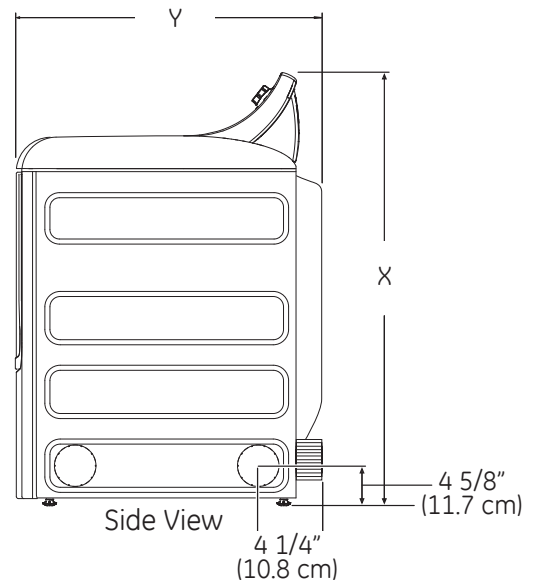


ROUGH-IN DIMENSIONS

Cubic Foot	X	Y
6.2	43 3/8" (110 cm)	26 3/4" (68 cm)
7.2	43 3/8" (110 cm)	29 1/2" (75 cm)
7.4	43 3/4" (111 cm)	30 1/2" (78 cm)



Front View



Side View

STEAM WATER HOSES:

GE strongly recommends the use of factory specified parts. These hoses are manufactured and tested to meet GE specifications.

GE strongly recommends the use of new water supply hoses. Hoses degrade over time and need to be replaced every 5 years to reduce the risk of hose failures and water damage.

Parts and Accessories

Order on-line at GEApplianceParts.com, 24 hours a day or by phone at **800.626.2002** during normal business hours.

Part Number

WE25X20060

OR

WE1M847
WE01X22395
PM14X10056

WX14X10007

Accessory

Complete Kit (hoses, Y-adapter washers) (included)

Long Hose and Short Hose
Dryer door opening vent brush (not included)

LintEater™ Dryer rotary tube brush (not included)

Installation Instructions

REQUIREMENTS FOR ALCOVE OR CLOSET INSTALLATION

WARNING - Explosion Hazard

Keep flammable materials and vapors, such as gasoline, away from dryer.

Place dryer at least 18" (46 cm) above the floor for a garage installation.

Failure to do so can result in death, explosion, or fire.

- If the dryer is approved for installation in an alcove or closet, it will be stated on a label on the dryer back.
- The dryer **MUST** be vented to the outdoors. See the EXHAUSTING THE DRYER section.
- Minimum clearance between dryer cabinet and adjacent walls or other surfaces is:
 - 0" either side
 - 3" front
 - 0" rear but a 1" minimum is recommended
- Minimum vertical space from dryer to overhead shelves, cabinets, ceilings, etc., is 1" on top.
- Consideration must be given to provide adequate clearance for installation and service.
- Closet doors must be louvered or otherwise ventilated and have at least 60 square inches of open area. If the closet contains both a washer and a dryer, doors must contain a minimum of 120 square inches of open area.

NOTE: WHEN THE EXHAUST DUCT IS LOCATED IN THE REAR OF THE DRYER, THE CONFIGURATION OF THE DUCTING MAY REQUIRE GREATER THAN 0" OF REAR CLEARANCE. A 1" MINIMUM IS RECOMMENDED.

Gas Dryers Only:

- No other fuel burning appliance shall be installed in the same closet as a gas dryer.
- The dryer must be disconnected from the gas supply piping during pressure testing at pressures greater than ½ psi (3.5 kPa).
- A 1/8 inch NPT minimum plugged tapping, accessible for test gauge connection, must be installed immediately upstream of the gas supply connection to the dryer.

MINIMUM CLEARANCE OTHER THAN ALCOVE OR CLOSET INSTALLATION

Minimum clearance to combustible surfaces and for air opening are: 0" both sides; 1" front; 0" rear but a 1" minimum is recommended. Consideration must be given to provide adequate clearance for installation and service.

MOBILE OR MANUFACTURED HOME INSTALLATION

- Installation must conform to the MANUFACTURED HOME CONSTRUCTION AND SAFETY STANDARD, TITLE 24, PART 32-80 or Standard CAN/CSA-Z240 MH, or, when such standard is not applicable, with AMERICAN NATIONAL STANDARD FOR MOBILE HOME, ANSI/NFPA NO. 501B.
- The dryer **MUST** be vented to the outdoors. The exhaust vent must be securely fastened to a non-combustible portion of the mobile home.
- The vent **MUST NOT** be terminated beneath a mobile or manufactured home.
- The vent duct material **MUST BE METAL**.
- KIT 14-D346-33 **MUST** be used to attach the dryer securely to the structure.
- The vent **MUST NOT** be connected to any other duct, vent or chimney.
- Do not use sheet metal screws or other fastening devices which extend into the interior of the exhaust vent.
- Provide an opening with a free area of at least 25 square inches for introduction of outside air into the dryer room.
- See the sections for electrical connection information.

POWER CORDS:

GE strongly recommends the use of factory specified parts. Select the power cord to fit your installation requirements.

Order on-line at GEApplianceParts.com, 24 hours a day or by phone at **800.626.2002** during normal business hours.

Part Number	Type	Length	Amperage
WX9X2	3-Prong	4 Feet	30
WX9X3	3-Prong	5 Feet	30
WX9X4	3-Prong	6 Feet	30
WX9X18	4-Prong	4 Feet	30
WX9X19	4-Prong	5 Feet	30
WX9X20	4-Prong	6 Feet	30

Installation Instructions

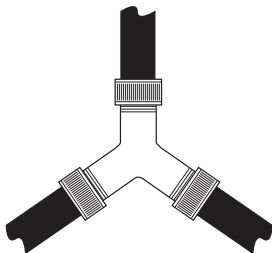
CONNECTING INLET HOSES

CONNECTING INLET HOSES (on some models)

To produce steam, the dryer must connect to the cold water supply. Since the washer must also connect to the cold water, a “Y” connector is inserted to allow both inlet hoses to make that connection at the same time.

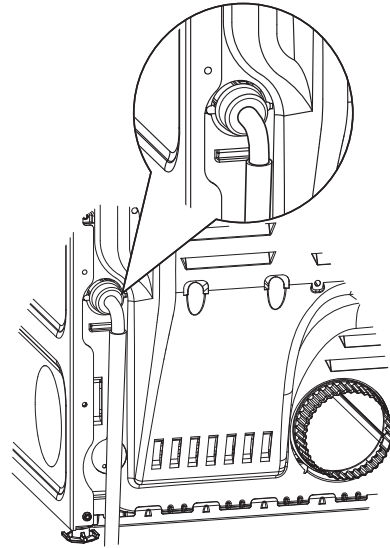
NOTE: Use the new inlet hoses provided; never use old hoses.

1. Turn the cold water faucet off. Remove the washer inlet hose from the washer fill valve connector (cold).
2. Ensure the rubber flat washer is in place and attach one female coupling of the short hose onto the washer fill valve connector. Tighten by hand until firmly seated.
3. Attach one male end of the “Y” connector to the other female coupling of the short hose. Ensure the rubber flat washer is in place. Tighten by hand until firmly seated.



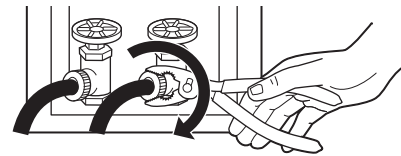
4. Insert the filter screen in the coupling of the **washer's** inlet hose. If a rubber flat washer is already in place remove it before installing the filter screen. Attach this coupling to one male end of the “Y” connector. Tighten by hand until firmly seated.
5. Ensure the rubber flat washer is in place and attach the **dryer's** long inlet hose to one male end of the “Y” connector. Tighten by hand until firmly seated.
6. Ensure the rubber flat washer is in place and attach the other end of the **dryer's** long inlet hose to the fill valve connector at the bottom of the dryer back panel. Tighten by hand until firmly seated.

CONNECTING INLET HOSES (on some models) (cont.)



7. Using pliers, tighten all the couplings with an additional two-thirds turn.

NOTE: Do not overtighten. Damage to the couplings may result.



8. Turn the water faucet on.
9. Check for leaks around the “Y” connector, faucet and hose couplings.

WATER SUPPLY REQUIREMENTS

Hot and cold water faucets **MUST** be installed within 42 in. (107 cm) of your washer's water inlet. The faucets **MUST** be 3/4 in. (1.9 cm) garden hose-type so inlet hoses can be connected. Water pressure **MUST** be between 10 and 120 pounds per square inch. Your water department can advise you of your water pressure.

NOTE: A water softener is recommended to reduce buildup of scale inside the steam generator if the home water supply is very hard.

Installation Instructions

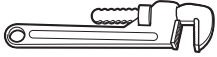
CONNECTING A GAS DRYER (skip for electric dryers)

TOOLS YOU WILL NEED

- 10" Adjustable wrenches (2)



- 8" Pipe wrench



- Slip-joint pliers



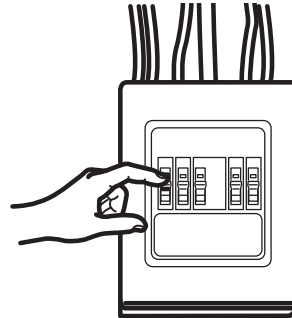
- Flat-blade screwdriver



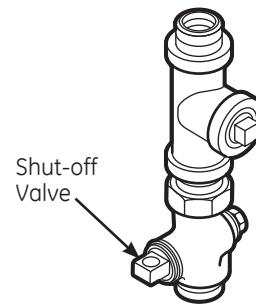
- Level



Before beginning the installation, turn off the circuit breaker(s) or remove the dryer's circuit fuse(s) at the electrical box. Be sure the dryer cord is unplugged from the wall.



Turn the dryer's gas shut-off valve in the supply line to the OFF position.



MATERIALS YOU WILL NEED

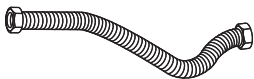
- 4" dia. metal elbow



- Pipe compound or PTFE tape



- Flexible gas line connector



- Duct clamps (2) or Spring clamps (2)



- Safety glasses



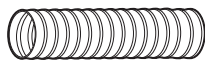
- 4" dia. metal duct (recommended)



- 4" Cover Plate (Kit WE1M454)



- 4" dia., UL-listed flexible metal duct (if needed)



- Gloves



- Soap solution for leak detection



- Exhaust hood



- Duct tape



- Gas pipe adapters (2), elbow and pipe plug



Disconnect and discard old flexible gas connector and ducting material.



Installation Instructions

CONNECTING A GAS DRYER (skip for electric dryers) (cont.)

GAS REQUIREMENTS

⚠ WARNING - Explosion Hazard

- Use a new CSA International approved flexible gas supply line. Never reuse old flexible connectors.
 - Install a shut-off valve.
 - Securely tighten all gas connections.
 - If connected to LP gas, have a qualified person make sure gas pressure does not exceed 13" water column.
 - Examples of a qualified person include: licensed heating personnel, authorized gas company personnel, and authorized service personnel.
 - Failure to do so can result in death, explosion, or fire.
- This gas dryer is equipped with a valve and burner assembly for use only with natural gas. Using conversion kit WE25X217, your local service organization can convert this dryer for use with propane (LP) gas. (To convert from propane (LP) to natural gas, conversion kit WE25X218 will be utilized.) ALL CONVERSIONS MUST BE MADE BY PROPERLY TRAINED AND QUALIFIED PERSONNEL AND IN ACCORDANCE WITH LOCAL CODES AND ORDINANCE REQUIREMENTS.

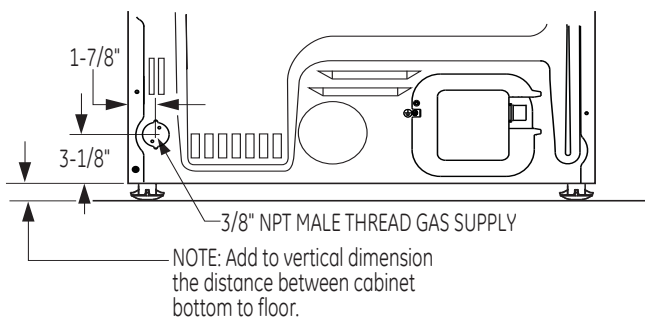
GAS SUPPLY

- A 1/8" National Pipe Taper thread plugged tapping, accessible for test gauge connection, must be installed immediately upstream of the gas supply connection to the dryer. Contact your local gas utility should you have questions on the installation of the plugged tapping.
- Supply line is to be 1/2" rigid pipe and equipped with an accessible shutoff within 6 feet of, and in the same room with, the dryer.
- Use pipe thread compound appropriate for natural or LP gas or use PTFE tape.
- Connect flexible metal connector to dryer and gas supply.
- The installation must conform with local codes, or in the absence of local codes, with the National Fuel Gas Code, ANSI Z223.1/NFPA 54, or the Natural Gas and Propane Installation Code, CSA B149.1.

IN THE COMMONWEALTH OF MASSACHUSETTS

- This product must be installed by a licensed plumber or gas fitter.
- When using ball-type gas shut-off valves, they shall be the T-handle type.
- A flexible gas connector, when used, must not exceed 3 feet.

DRYER GAS SUPPLY CONNECTION



- You must use with this dryer a flexible metal connector (listed connector ANSI Z21.24/CSA 6.10). The length of the connect shall not exceed 3 ft.

ADJUSTING FOR ELEVATION

- Gas clothes dryers input ratings are based on sea level operation and need not be adjusted for operation at or below 2000 ft. elevation. For operation at elevations above 2000 ft., input ratings should be reduced at a rate of 4 percent for each 1000 ft. above sea level.
- Installation must conform to local codes and ordinances or, in their absence, the NATIONAL FUEL GAS CODE, ANSI Z223.

Installation Instructions

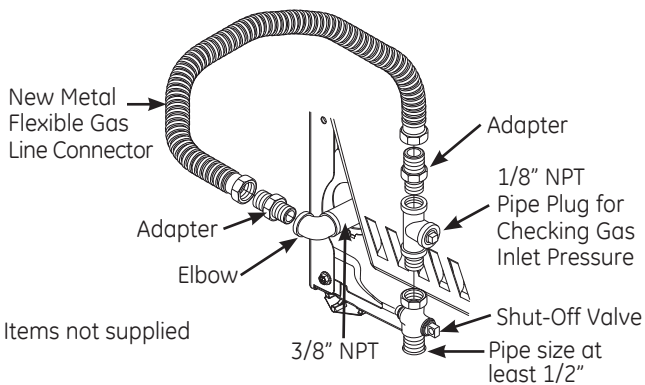
CONNECTING THE DRYER TO THE GAS SUPPLY

- A** Install a female 3/8" NPT elbow at the end of the dryer gas inlet.

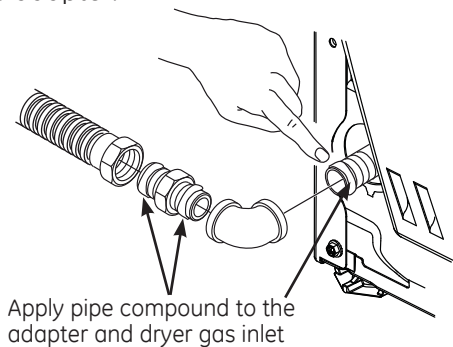
Install a 3/8" flare union adapter to the female elbow.

IMPORTANT: Use a pipe wrench to securely hold on to the end of the dryer gas inlet to prevent twisting the inlet.

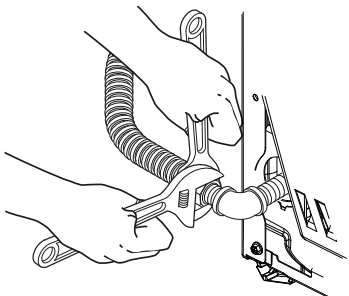
NOTE: Apply pipe compound or PTFE tape to the threads of the adapter and dryer gas inlet.



- B** Attach the flexible metal gas line connector to the adapter.



- C** Tighten the flexible gas line connection, using two adjustable wrenches.

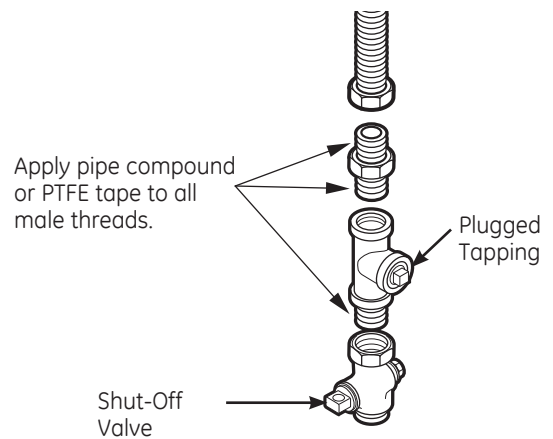


CONNECTING THE DRYER TO THE GAS SUPPLY (cont.)

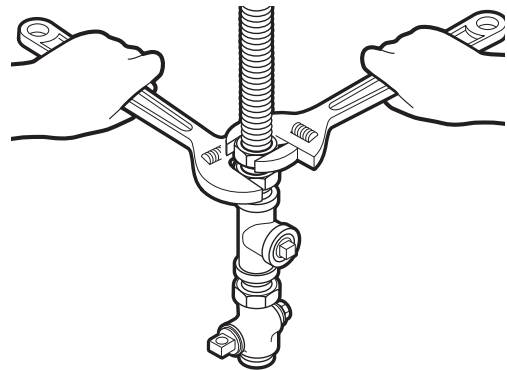
- D** Install a 1/8" NPT plugged tapping to the dryer gas line shut-off valve for checking gas inlet pressure.

Install a flare union adapter to the plugged tapping.

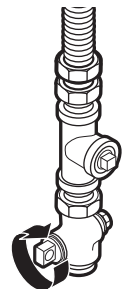
NOTE: Apply pipe compound or PTFE tape to the threads of the adapter and plugged tapping.



- E** Tighten all connections, using two adjustable wrenches. **Do not overtighten.**



- F** Open the gas shut-off valve.



Installation Instructions

CONNECTING A GAS DRYER (skip for electric dryers) (cont.)

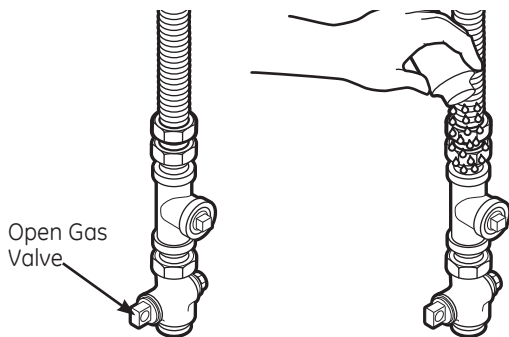
TEST FOR LEAKS

Never use an open flame to test for gas leaks.

Check all connections for leaks with soapy solution or equivalent.

Apply a soap solution. The leak test solution must not contain ammonia, which could cause damage to the brass fittings.

If leaks are found, close the valve, retighten the joint and repeat the soap test.



ELECTRICAL CONNECTION INFORMATION FOR GAS DRYERS

⚠ WARNING - Electrical Shock Hazard

Plug into a grounded 3 prong outlet.

DO NOT remove ground prong.

DO NOT use an adapter.

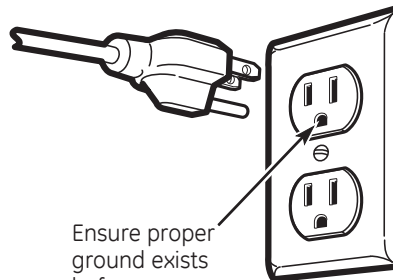
DO NOT use an extension cord.

Failure to do so can result in death, fire or electrical shock.

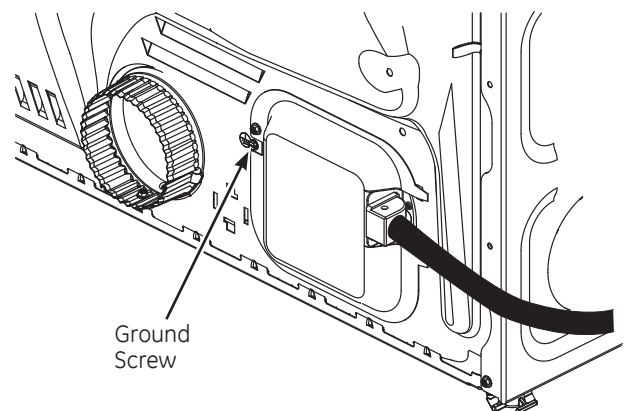
ELECTRICAL CONNECTION INFORMATION FOR GAS DRYERS (cont.)

The dryer must be electrically grounded in accordance with local codes, or in the absence of local codes, with the National Electrical Code, ANSI/NFPA 70 or Canadian Electrical Code, CSA C22.1

This appliance must be supplied with 120V, 60Hz, and be connected to a properly grounded branch circuit protected by a 15 or 20 amp circuit breaker or time delay fuse. If electrical supply provided does not meet these requirements, it is the owner's responsibility to have a licensed electrician install a properly grounded 3-prong outlet.



If local codes permit an external ground wire (not provided) may be added by attaching to the green ground screw on the rear of the dryer, and to a grounded metal cold water pipe or other established ground.







Installation Instructions


CONNECTING AN ELECTRIC DRYER

(Skip for gas dryers and if your dryer already has a power cord attached)

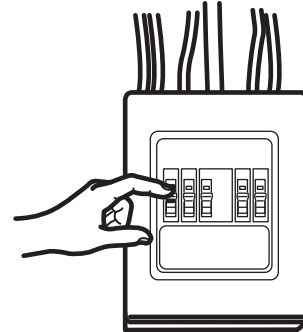
TOOLS YOU WILL NEED

-  Slip-joint pliers
-  Phillips screwdriver
-  Flat-blade screwdriver
-  Level

MATERIALS YOU WILL NEED

-  4" dia. metal elbow
-  Gloves
-  3/4" strain relief (UL recognized)
-  Exhaust hood
-  4" duct clamps (2) or 4" spring clamps (2)
-  Duct tape
-  Safety glasses
-  Dryer power cord kit (not provided with dryer)
UL rated 120/240V, 30A with 3 or 4 prongs. Identify the plug type as per the house receptacle before purchasing line cord.
-  4" dia. metal duct (recommended)
-  4" dia., UL-listed flexible metal duct (if needed)
-  4" Cover Plate (Kit WE1M454)

Before making the electrical connection, turn off the circuit breaker(s) or remove the dryer's circuit fuse(s) at the electrical box. Be sure the dryer cord is unplugged from the wall. NEVER LEAVE THE ACCESS COVER OFF THE TERMINAL BLOCK.



Installation Instructions

CONNECTING AN ELECTRIC DRYER (cont.)

(Skip for gas dryers and if your dryer already has a power cord attached)

ELECTRICAL CONNECTION INFORMATION FOR ELECTRIC DRYERS

For electrical connections using a power cord:

 **WARNING**  - Fire Hazard

Use a new UL-listed 240V 30 amp dryer power supply cord with closed ring terminals or spade terminals with upturned ends.

Use a UL-listed strain relief.

Disconnect power before making electrical connections.

Connect neutral wire (white or center wire) to center terminal.

Ground wire (green or bare wire) must be connected to green ground connector.

Connect remaining two supply wires to remaining two terminals.


Securely tighten all electrical connections.

Replace the terminal block cover.

Failure to do so can result in death, fire or electrical shock.

GROUNDING INSTRUCTIONS

For a grounded, cord-connected dryer: This dryer must be grounded. In the event of a malfunction or breakdown, grounding will reduce the risk of electric shock by providing a path of least resistance for electric current. This dryer uses a cord having an equipment-grounding conductor and a grounding plug. The plug must be plugged into an appropriate outlet that is properly installed and grounded in accordance with all local codes and ordinances.

 **WARNING** Improper connection of the equipment-grounding conductor can result in a risk of electrical shock. Check with a qualified electrician, or service representative or personnel, if you are in doubt as to whether the appliance is properly grounded. **DO NOT** modify the plug on the power supply cord. If it will not fit the outlet, have a proper outlet installed by a qualified electrician.

SAVE THESE INSTRUCTIONS

ELECTRICAL CONNECTION INFORMATION FOR ELECTRIC DRYERS

For direct wire connections:

 **WARNING**  - Fire Hazard

Use 10 gauge copper wire.

Use a UL-listed strain relief.

Disconnect power before making electrical connections.

Connect neutral wire (white or center wire) to center terminal.

Ground wire (green or bare wire) must be connected to green ground connector.

Connect remaining two supply wires to remaining two terminals.


Securely tighten all electrical connections.

Replace the terminal block cover.

Failure to do so can result in death, fire or electrical shock.

GROUNDING INSTRUCTIONS

For a permanently connected dryer: This dryer must be connected to a grounded metal, permanent wiring system, or an equipment-grounding conductor must be run with the circuit conductors and connected to the equipment-grounding terminal on the appliance.

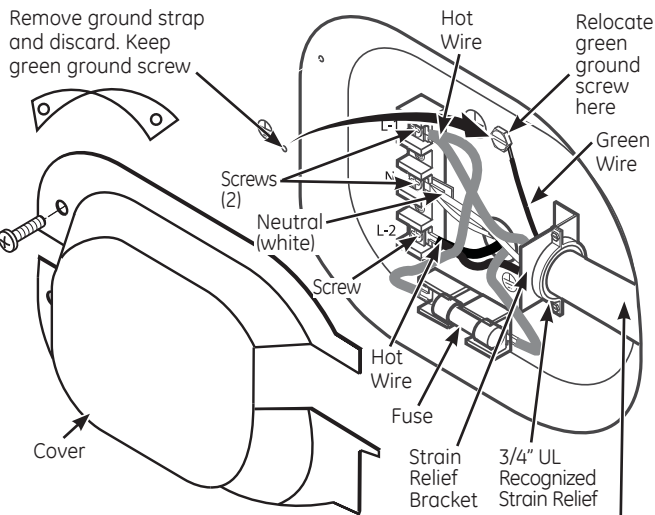
 **WARNING** Improper connection of the equipment-grounding conductor can result in a risk of electrical shock. Check with a qualified electrician, or service representative or personnel, if you are in doubt as to whether the appliance is properly grounded.

SAVE THESE INSTRUCTIONS

Installation Instructions

CONNECTING DRYER USING 4-WIRE CONNECTION (MUST BE USED FOR MOBILE HOME INSTALLATION)

NOTE: Since January 1, 1996, the National Electrical Code requires that new constructions use a 4-wire connection to an electric dryer. A 4-wire cord must also be used where local codes do not permit grounding through the neutral. 3-wire connection is NOT for use on new construction.



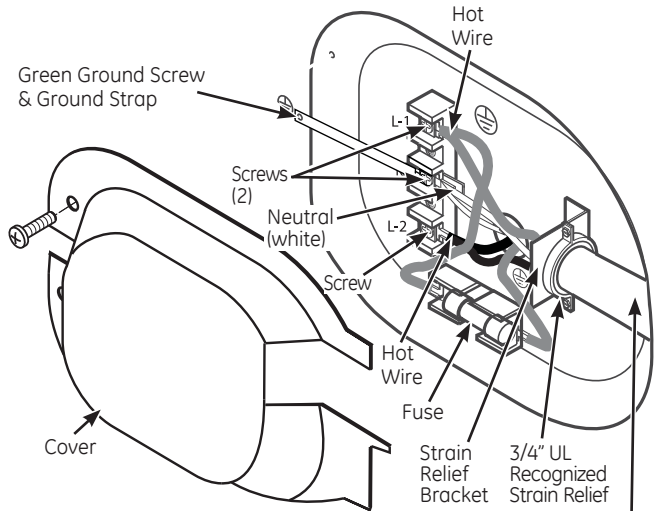
4 #10 AWG minimum copper conductors or 120/240V 30A power supply cord kit marked for use with dryers and provided with closed loop or spade terminals with upturned ends (not supplied).

1. Turn off the circuit breaker(s) (30 amp) or remove the dryer's circuit fuse at the electrical box.
2. Be sure the dryer cord is unplugged from the wall receptacle.
3. Remove the power cord cover located at the lower back.
4. Remove and discard ground strap. Keep the green ground screw for Step 7.
5. Install 3/4 in. UL-recognized strain relief to power cord entry hole. Bring power cord through strain relief.
6. Connect power cord as follows:
 - A. Connect the 2 hot lines to the outer screws of the terminal block (marked L1 and L2).
 - B. Connect the neutral (white) line to the center of the terminal block (marked N).
7. Attach ground wire of power cord with the green ground screw (hole above strain relief bracket). Tighten all terminal block screws (3) securely.
8. Properly secure power cord to strain relief.
9. Reinstall the cover.

NEVER LEAVE THE COVER OFF OF THE TERMINAL BLOCK.

CONNECTING DRYER USING 3-WIRE CONNECTION

If required, by local code, install external ground (not provided) to grounded metal, cold water pipe, or other established ground determined by a qualified electrician.



3 #10 AWG minimum copper conductors or 120/240V 30A power supply cord kit marked for use with dryers and provided with closed loop or spade terminals with upturned ends (not supplied).

3-wire Connection

Not for use in Canada.

DO NOT use for Mobile Home Installations.

NOT for use on new construction.

NOT for use on recreational vehicles.

NOT for use in areas where local codes prohibit grounding through the neutral conduction.

1. Turn off the circuit breaker(s) (30 amp) or remove the dryer's circuit fuse at the electrical box.
2. Be sure the dryer cord is unplugged from the wall receptacle.
3. Remove the power cord cover located at the lower back.
4. Install 3/4-in. UL-recognized strain relief to power cord entry hole. Bring power cord through strain relief.
5. Connect power cord as follows:
 - A. Connect the 2 hot lines to the outer screws of the terminal block (marked L1 and L2).
 - B. Connect the neutral (white) line to the center of the terminal block (marked N).
6. Be sure ground strap is connected to neutral (center) terminal of block and to green ground screw on cabinet rear. Tighten all terminal block screws (3) securely.
7. Properly secure power cord to strain relief.
8. Reinstall the cover.

NEVER LEAVE THE COVER OFF OF THE TERMINAL BLOCK.

Installation Instructions

EXHAUSTING THE DRYER

WARNING - Fire Hazard

This dryer **MUST** be vented to the outdoors.

Use only 4" rigid metal ducting for the home exhaust vent.

Use only 4" rigid metal or UL-LISTED transition duct to connect the dryer to the home exhaust duct.

DO NOT use a plastic vent.

DO NOT exhaust into a chimney, kitchen exhaust, gas vent, wall, ceiling, attic, crawl space, or concealed space of a building.

DO NOT install a screen in or over the exhaust duct.

DO NOT use duct longer than specified in the exhaust length table.

Failure to follow these instructions can result in death or fire.

TOOLS AND MATERIALS YOU WILL NEED TO INSTALL EXHAUST DUCT

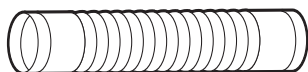
Phillips-head screwdriver



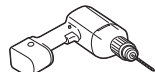
Duct tape or duct clamp



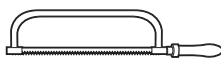
Rigid or UL-listed flexible metal 4" (10.2 cm) duct



Drill with 1/8" drill bit (for bottom venting)



Hacksaw



Vent hood



PARTS AVAILABLE FROM LOCAL SERVICE ORGANIZATIONS

• Rigid Metal Duct Components

WX8X63 4 x 1 Duct

WX8X64 4 x 2 Duct

WX8X51 4 Elbow

WX8X59 4 Aluminum Hood

• Flexible Metal Duct Components

WX8X58 4 Clamps (2)

WX8X59 4 Aluminum Hood

WX08X10077 6 UL-Listed, Flexible Metal (Semi-Rigid) Duct, 2 Clamps, 2 Close Elbows

WE1M454 Cover rear exhaust opening

CONNECTING THE DRYER TO HOUSE VENT

RIGID METAL TRANSITION DUCT

- For best drying performance, a rigid metal transition duct is recommended.
- Rigid metal transition ducts reduce the risk of crushing and kinking.

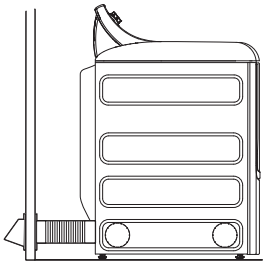
UL-LISTED FLEXIBLE METAL CLOTHES DRYER TRANSITION DUCT

- If rigid metal cannot be used, then UL-LISTED flexible metal clothes dryer transition duct (GE parts – PM08X10085, WX08X10085 or WX08X10077) can be used.
- Never install transition duct in walls, ceilings, floors or other enclosed spaces.
- Total length of transition duct should not exceed 8' (2.4 m).
- For many applications, installing elbows at both the dryer and the wall is highly recommended (see illustrations at right). Elbows allow the dryer to sit close to the wall without kinking and/or crushing the transition duct, maximizing drying performance.
- Avoid resting the duct on sharp objects.

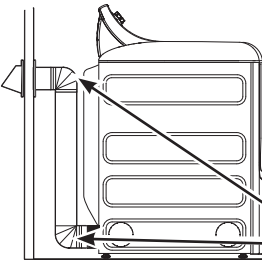
UL-LISTED FLEXIBLE METAL (FOIL-TYPE) TRANSITION DUCT

- In special installations, it may be necessary to connect the dryer to the home exhaust vent using flexible metal (foil-type) transition duct. UL-LISTED universal flexible dryer transition duct (GE parts – PM8X73 or WX8X73) may be used **ONLY** in installations where rigid metal or flexible metal transition ducting cannot be used **AND** where a 4" diameter can be maintained throughout the entire length of the transition duct.
- In Canada and the United States, only transition ducts that comply with "**UL 2158A STANDARD FOR CLOTHES DRYER TRANSITION DUCT**" shall be used.
- Avoid resting the duct on sharp objects.
- For best drying performance:
 1. Slide one end of the duct over the clothes dryer outlet pipe.
 2. Secure the duct with a clamp.
 3. With the dryer in its permanent position, extend the duct to its full length. Allow 2" of duct to overlap the exhaust pipe. Cut off and remove excess duct. Keep the duct as straight as possible for maximum airflow.
 4. Secure the duct to the exhaust pipe with the other clamp.

Installation Instructions




• **DO** cut duct as short as possible and install straight into wall.

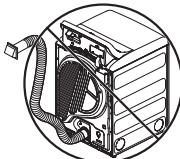


• **DO** use elbows when turns are necessary.

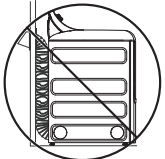
Elbows



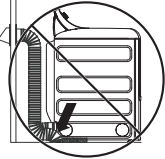
• **DO NOT** bend or collapse ducting. Use elbows if turns are necessary.



• **DO NOT** use excessive exhaust length. Cut duct as short as possible.



• **DO NOT** crush duct against the wall.



• **DO NOT** set dryer on duct.

EXHAUST LENGTH

Using exhaust longer than specified length will:

- Increase the drying times and the energy cost.
- Reduce the dryer life.
- Accumulate lint, creating a potential fire hazard.

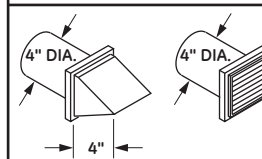
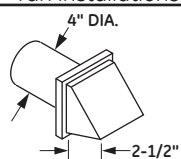
The correct exhaust installation is YOUR RESPONSIBILITY.

Problems due to incorrect installation are not covered by the warranty.

The **MAXIMUM ALLOWABLE** length of the exhaust system depends upon the type of duct, number of turns, the type of exhaust hood (wall cap) and all conditions noted on the chart.

- Internal elbows added for side or bottom vent conversions must be included in the total elbow count.
- Any elbow greater than 45° should be treated as a 90° elbow.
- Two 45° elbows will be treated like one 90° elbow.
- For every additional 90° elbow, reduce the allowable vent system length by 10 feet.
- When calculating the total vent system length, you must add all the straight portions and elbows of the system (including the transition duct).

EXHAUST LENGTH

RECOMMENDED MAXIMUM LENGTH		
Exhaust Hood Types		
	Recommended	Use only for short run installations
		
No. of 90° Elbows	Rigid Metal	Rigid Metal
0	120 Feet	90 Feet
1	100 Feet	75 Feet
2	85 Feet	65 Feet
3	70 Feet	55 Feet
4	60 Feet	45 Feet
5	55 Feet	35 Feet

Installation Instructions

EXHAUSTING THE DRYER (cont.)

EXHAUST SYSTEM CHECKLIST

HOOD OR WALL CAP

- Terminate in a manner to prevent back drafts or entry of birds or other wildlife.
- Termination should present minimal resistance to the exhaust airflow and should require little or no maintenance to prevent clogging.
- Wall caps must be installed at least 12" above ground level or any other obstruction with the opening pointed down.

SEPARATION OF TURNS

- For best performance, separate all turns by at least 4 ft. of straight duct, including distance between last turn and dampened wall cap.

SEALING OF JOINTS

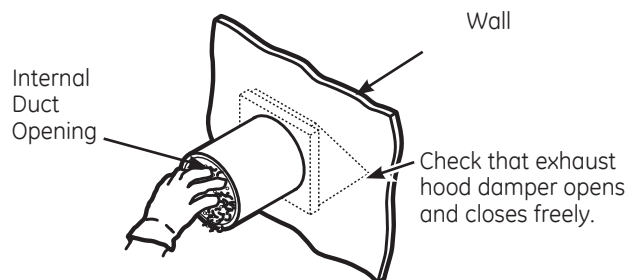
- All joints should be tight to avoid leaks. The male end of each section of duct must point away from the dryer.
- Duct joints should be made air- and moisture-tight by wrapping the overlapped joints with duct tape or aluminum tape.
- Do not assemble ductwork with any fasteners that extend into the duct. These fasteners can accumulate lint, creating a potential fire hazard.
- Horizontal runs should slope down towards the outdoors 1/4" per foot.
- Provide an access for inspection and cleaning of the exhaust system, especially at turns and joints. Exhaust system shall be inspected and cleaned at least once a year.

INSULATION

- Ductwork that runs through an unheated area or is near air conditioning should be insulated to reduce condensation and lint buildup.

BEFORE YOU BEGIN

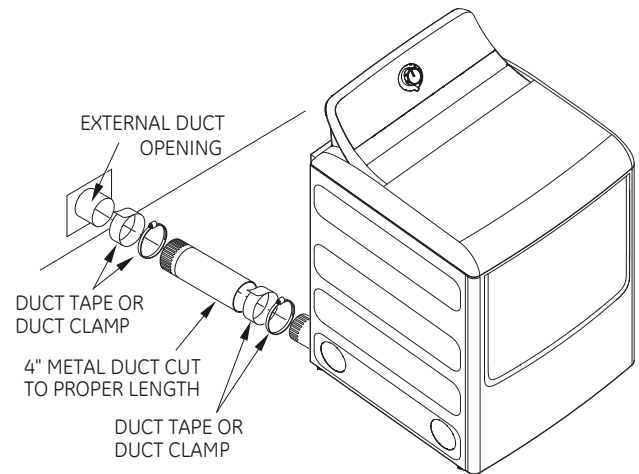
- Remove and discard existing plastic or metal foil duct and replace with UL-listed duct.
- Remove any lint from the wall exhaust opening.



STANDARD REAR EXHAUST

We recommend that you install your dryer before installing your washer. This will permit direct access for easier exhaust connection.

Slide the end of the exhaust duct on the back of the dryer and secure with duct tape or a duct clamp.

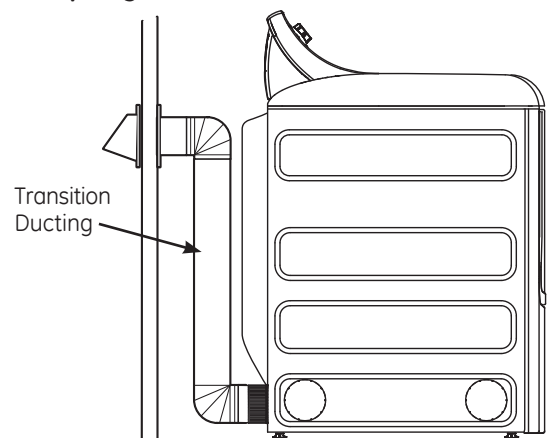


NOTE: We strongly recommend using rigid metal exhaust duct. However, if flexible ducting is used it must be UL-listed metal, not plastic.

- For straight-line installation, connect the dryer exhaust to the wall, using duct tape or a duct clamp.

RECOMMENDED CONFIGURATION TO MINIMIZE EXHAUST BLOCKAGE

Using duct elbows will prevent duct kinking and collapsing.



Installation Instructions

SIDE OR BOTTOM VENTING

Dryer Exhaust to right of cabinet for Electric models only.

Dryer Exhaust to left of cabinet for Gas and Electric models.

Dryer Exhaust to the bottom of cabinet for Gas and Electric models.

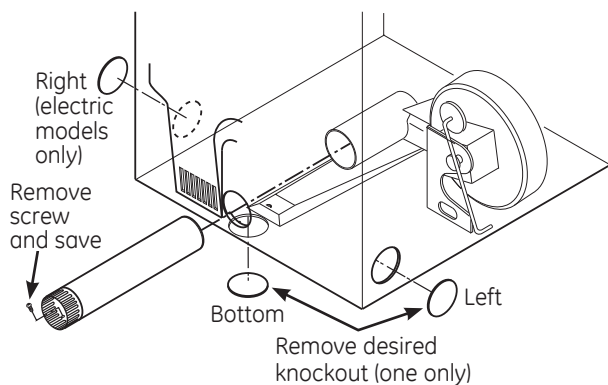
⚠ WARNING - Fire Hazard

Close the back opening with cover plate (Kit WE1M454).

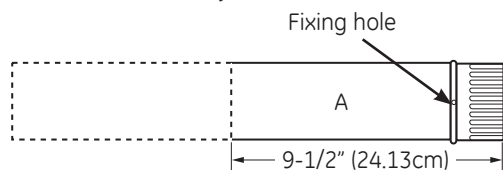
Disconnect dryer from electrical supply.

Wear gloves and arm guards.

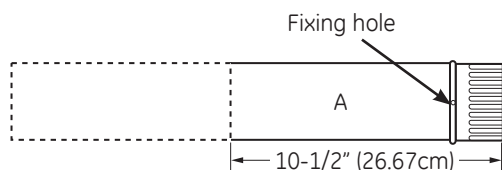
Failure to do so may result in fire, electrical shock or lacerations.



Detach and remove the right (electric models only), left or bottom knockout as desired. Remove the screw inside the dryer exhaust duct and save. Pull the duct out of the dryer.

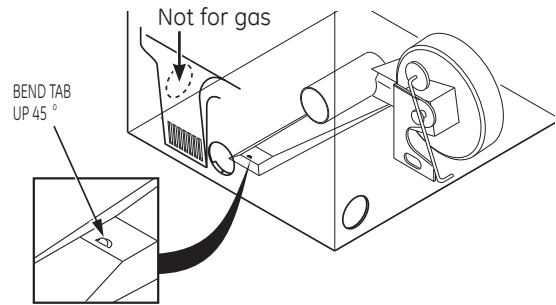


For models GTD60, GTD65 and GTD68 only, use the dimension below.



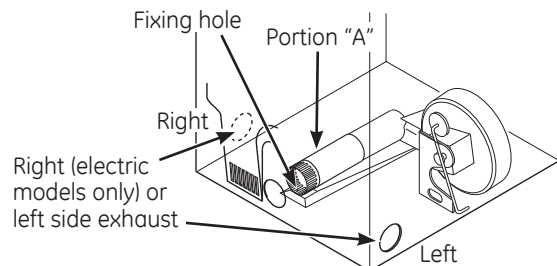
Cut the duct as shown and keep portion A.

TAB LOCATION



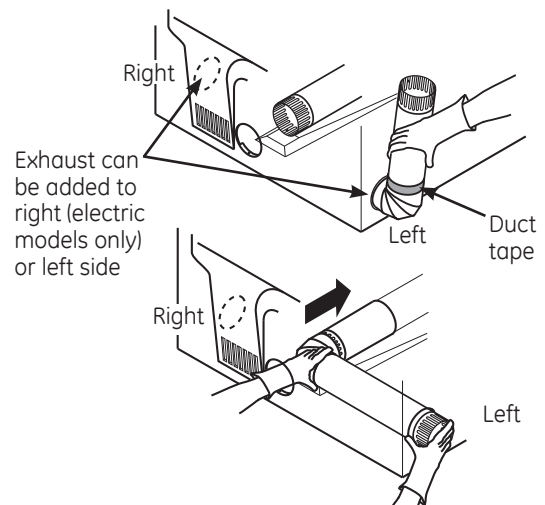
Through the rear opening, locate the tab in the middle of the appliance base. Lift the tab to about 45°, using a flat-blade screwdriver.

ADDING A NEW DUCT



Reconnect the cut portion (A) of the duct to the blower housing. Make sure that the shortened duct is aligned with the tab in the base. Use the screw saved previously to secure the duct in place through the tab on the appliance base.

ADDING ELBOW AND DUCT FOR EXHAUST TO SIDE OF CABINET



- Preassemble 4" elbow with 4" duct. Wrap duct tape around joint.
- Insert duct assembly, elbow first, through the side opening and connect the elbow to the dryer internal duct.

Be sure not to pull or damage the electrical wires inside the dryer when inserting the duct.

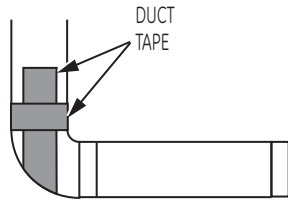
Installation Instructions

EXHAUSTING THE DRYER (cont.)

SIDE OR BOTTOM VENTING (cont.)

ADDING ELBOW AND DUCT FOR EXHAUST TO LEFT OR RIGHT SIDE OF CABINET (cont.)

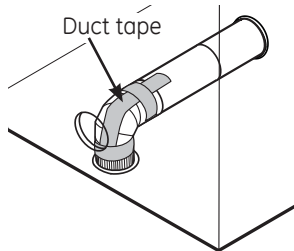
- Apply duct tape as shown on the joint between the dryer internal duct and the elbow, and also the joint between the elbow and the side duct.



Use 4" rigid metal ducting only inside the dryer. Internal duct joints must be secured with tape, otherwise they may separate and cause a safety hazard.

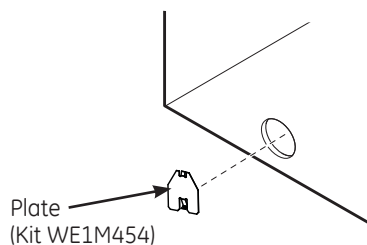
ADDING ELBOW FOR EXHAUST THROUGH BOTTOM OF CABINET

- Insert the elbow through the rear opening and connect it to the dryer internal duct.
- Apply duct tape as shown on the joint between the dryer internal duct and the elbow, and also the joint between the elbow and the bottom duct.



Internal duct joints must be secured with tape; otherwise, they may separate and cause a safety hazard.

ADDING COVER PLATE TO REAR OF CABINET



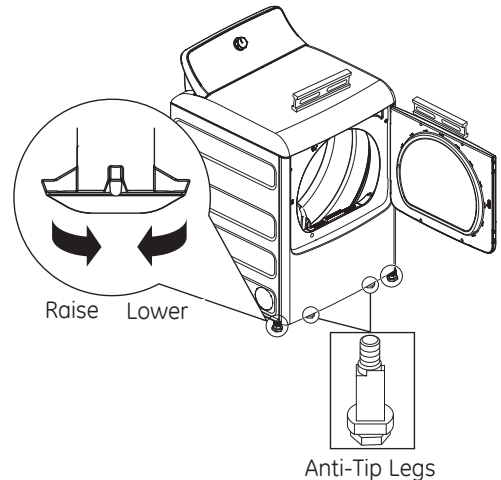
Connect standard metal elbows and ducts to complete the exhaust system. Cover back opening with a plate (Kit WE1M454) available from your local service provider. Place dryer in final location.

NEVER LEAVE THE BACK OPENING WITHOUT THE PLATE. (Kit WE1M454.)

FINAL SETUP

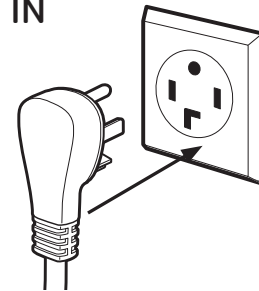
1 LEVEL THE DRYER

Stand the dryer upright near the final location and adjust the leveling legs at the corners to ensure the dryer is level side-to-side and front-to-back. Then, adjust the two anti-tip legs at the front inner corners, taking care that they are touching the floor to avoid unit tip over. The installation is not complete until this process is finished.



2 PLUG DRYER IN

Ensure proper ground exists before use.



3 DRYER START-UP

Press the **Power** button.

Power



NOTE: If the dryer has been exposed to temperatures below freezing for an extended period of time, allow it to warm up before pressing **Power**. Otherwise, the display will not come on. The dryer is now ready for use.

Installation Instructions

REVERSING THE DOOR

ABOUT REVERSING THE DOOR

IMPORTANT NOTES:

- Read the instructions all the way through before starting.
- Handle parts carefully to avoid scratching paint.
- Set screws down by their related parts to avoid using them in the wrong places.
- Provide a non-scratch work surface for the door.
- Normal completion time to reverse the door swing is 30–60 minutes.

IMPORTANT:

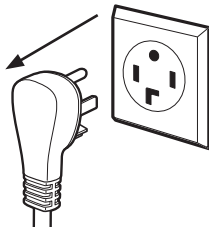
Once you begin, do not move the cabinet until door swing reversal is completed. These instructions are for changing the hinges from the right side to the left side - if you ever want to switch them back to the right side, follow these same instructions and reverse all references to the left and right.

Tools needed:

- Standard #2 Phillips screwdriver
- Tape-tipped putty knife
- Small flat blade screwdriver

Before you start

Unplug the dryer from its electrical outlet

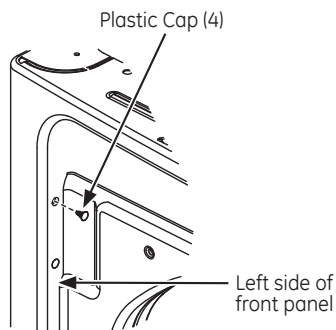


Choose the **REVERSING THE DOOR** instructions

A or **B** for your model.

A REVERSING THE DOOR - SOLID DOOR MODELS

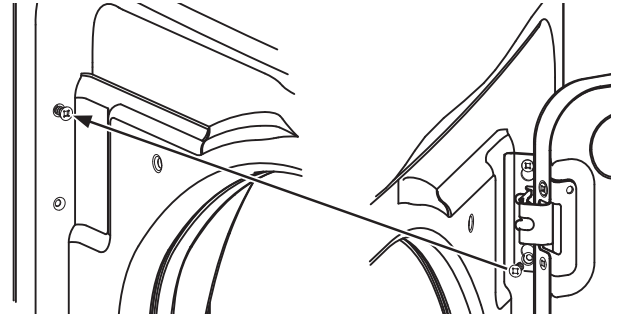
- 1 Open the door approximately 130 degrees. With a putty knife, remove the 4 plastic caps located along the left side of the front panel and set them aside.



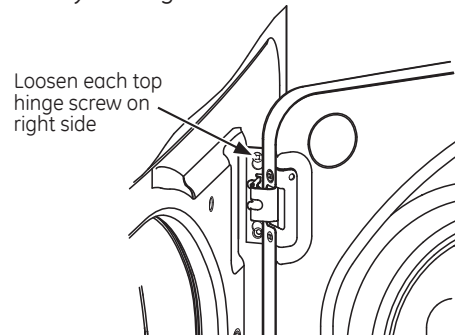
A REVERSING THE DOOR - SOLID DOOR MODELS (cont.)

- 2 Remove the bottom screw from each hinge (right side) and partially insert them into each top hinge hole on the left side.

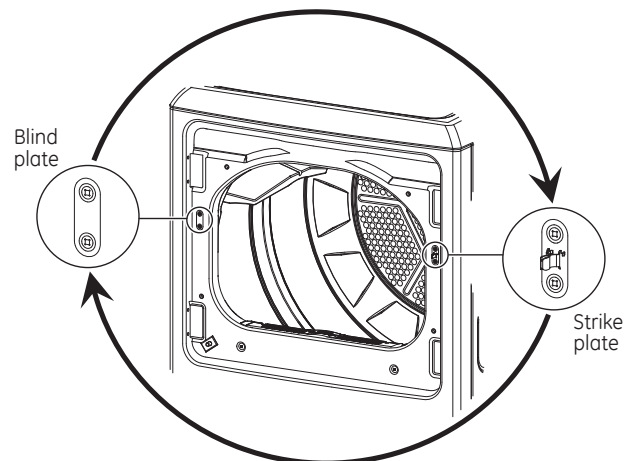
NOTE: All 4 front panel hinge screws will now be in the top hinge holes - 2 on the left and 2 on the right.



- 3 Loosen each top hinge screw on right side. Remove the door and place it on a protective flat surface to avoid any damage.



- 4 Remove both the blind plate and the strike plate and install them in opposite positions.

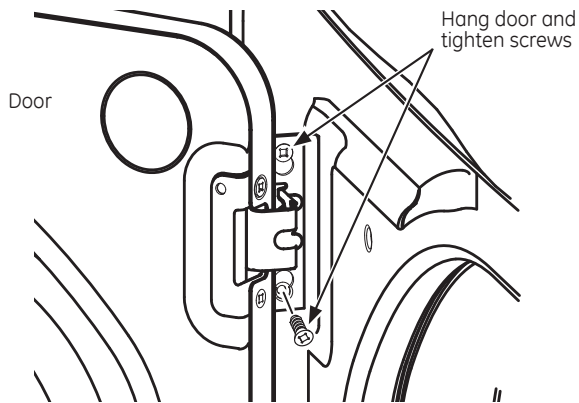


Installation Instructions

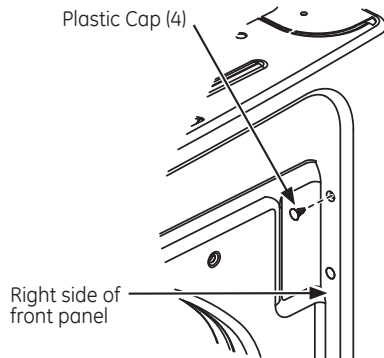
REVERSING THE DOOR (cont.)

A REVERSING THE DOOR - SOLID DOOR MODELS (cont.)

- 5 Mount the door on the 2 upper left side hinge screws installed in step 2. Move the hinge screws loosened in step 3 into the lower left side screw holes and firmly tighten all 4 screws.



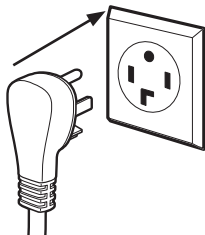
- 6 Install the 4 plastic caps removed in step 1 into the 4 right side front panel holes.



NOTE: To return the door to the original setup, follow these instructions, swapping "left" and "right".

When you finish

Plug the dryer back into its electrical outlet.

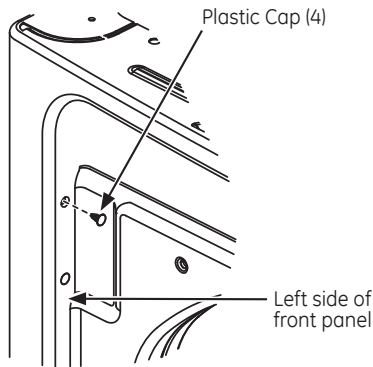


Installation Instructions

REVERSING THE DOOR

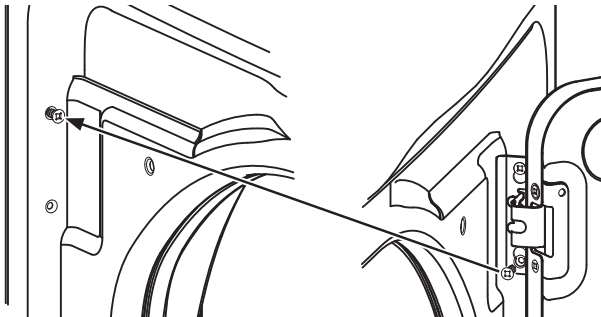
B REVERSING THE DOOR - GLASS PANEL DOOR MODELS

- 1 Open the door approximately 130 degrees. With a putty knife, remove the 4 plastic caps located along the left side of the front panel and set them aside.

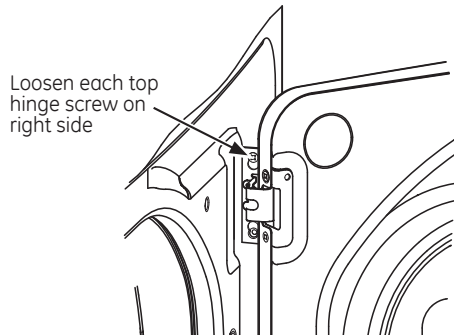


- 2 Remove the bottom screw from each hinge (right side) and partially insert them into each top hinge hole on the left side.

NOTE: All 4 front panel hinge screws will now be in the top hinge holes - 2 on the left and 2 on the right.

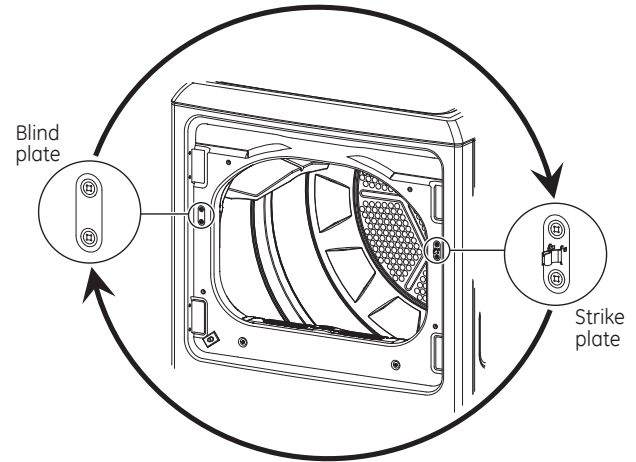


- 3 Loosen each top hinge screw on right side. Remove the door and place it on a protective flat surface to avoid any damage.

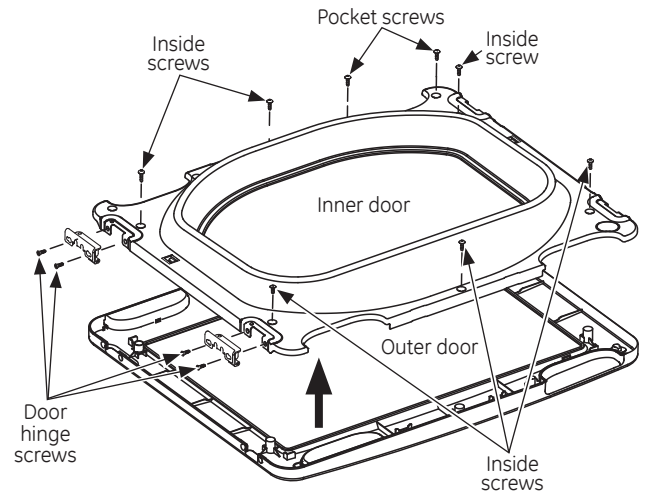


B REVERSING THE DOOR - GLASS PANEL DOOR MODELS (cont.)

- 4 Remove both the blind plate and the strike plate and install them in the opposite positions.



- 5 Remove the 4 door hinge screws, 6 inside screws and 2 pocket screws. Lift the inner door upwards using a flat blade screwdriver.

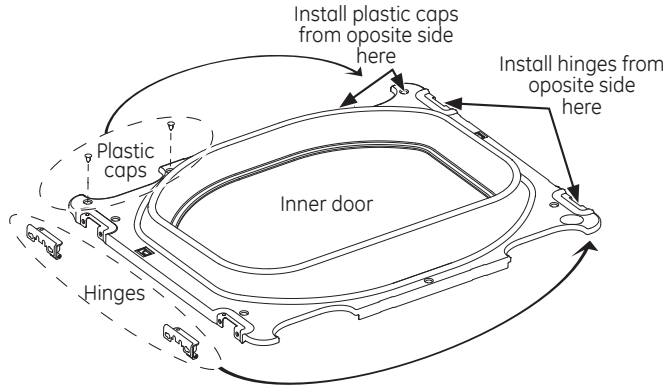


Installation Instructions

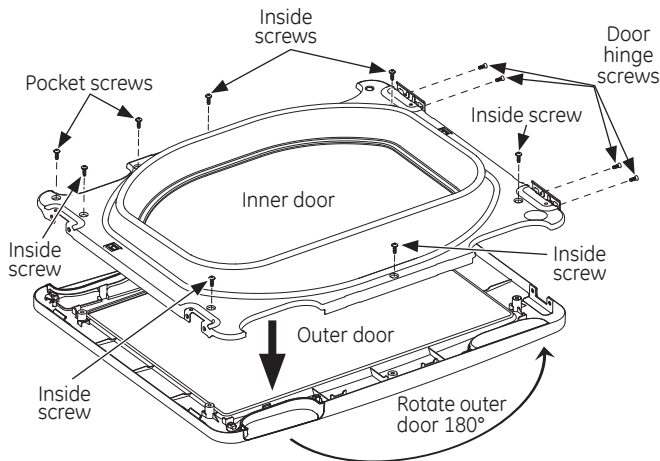
REVERSING THE DOOR (cont.)

B REVERSING THE DOOR - GLASS PANEL DOOR MODELS (cont.)

- 6 Remove and swap the 2 plastic caps and the 2 hinges.

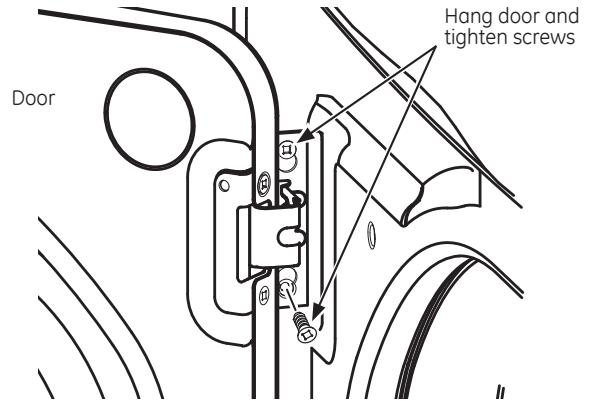


- 7 Rotate the outer door 180 degrees, mount the inner door back into the outer door frame and secure with the screws removed in step 5. Make sure you mount the hinges on the side opposite the pocket.

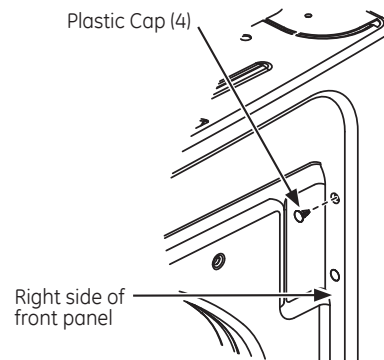


B REVERSING THE DOOR - GLASS PANEL DOOR MODELS (cont.)

- 8 Mount the assembled door on the 2 upper left side hinge screws installed in step 2. Move the hinge screws loosened in step 2 into the lower left side screw holes and firmly tighten all 4 screws.



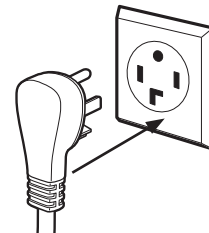
- 9 Install the 4 plastic caps removed in step 1 into the 4 right side front panel holes.



NOTE: To return the door to the original setup, follow these instructions, swapping "left" and "right".

When you finish


Plug the dryer back into its electrical outlet.



Instrucciones instalación

Secadora 01

Si tiene alguna pregunta, llame a 800.GE.CARES (800.432.2737) o visite nuestro sitio Web en: GEAppliances.com

 Éste es el símbolo de alerta de seguridad. El mismo alerta sobre potenciales riesgos que le pueden producir la muerte o lesiones tanto a usted como a otras personas. Todos los mensajes de seguridad estarán a continuación del símbolo de alerta de seguridad y con la palabra "PELIGRO", "ADVERTENCIA" o "PRECAUCIÓN". Estas palabras se definen como:

PELIGRO

Indica una situación de riesgo que, si no se evita, **producirá** la muerte o lesiones graves.

ADVERTENCIA

Indica una situación de riesgo que, si no se evita, **podría** producir la muerte o lesiones graves.

PRECAUCIÓN

Indica una situación de riesgo que, si no se evita, **podría** resultar en lesiones menores o moderadas.

ANTES DE COMENZAR

Lea estas instrucciones por completo y con detenimiento.

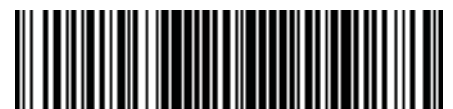
- **IMPORTANTE** – Guarde estas instrucciones para el uso de inspectores eléctricos locales.
- **IMPORTANTE** – Cumpla con todos los códigos y ordenanzas vigentes.
- Instale la secadora de acuerdo con las instrucciones del fabricante y los códigos locales.
- **Nota al instalador** – Asegúrese de dejar estas instrucciones con el consumidor.
- **Nota al usuario** – Conserve estas instrucciones para referencia futura.
- La instalación de la secadora debe efectuarla un instalador calificado.
- Esta secadora **debe** tener una salida al exterior.
- Antes de que la secadora antigua sea retirada del servicio o eliminada, quitele la puerta.
- La información sobre reparaciones y el diagrama del cableado se encuentran en la consola de control.
- No permita que niños se suban o se metan dentro del artefacto. Se requiere una supervisión estricta cuando el aparato es utilizado cerca de niños.
- El instalador tiene la responsabilidad de efectuar una instalación adecuada.
- La garantía no cubre las fallas del producto debido a una instalación incorrecta. .
- Instale la secadora en lugares donde la temperatura sea mayor a 50°F para un funcionamiento satisfactorio del sistema de control de la secadora.
- Quite y descarte el conducto existente de plástico o de papel de aluminio y coloque un conducto aprobado por UL.

ADVERTENCIA



- Riesgo de incendio

- La instalación de la secadora debe efectuarla un instalador calificado.
- Instale la secadora de ropa de acuerdo con estas instrucciones y en cumplimiento con los códigos locales
- **NO** instale una secadora de ropa con conductos de plástico flexible. Si se instala un conducto flexible de metal (semi rígido o de tipo papel de aluminio), debe estar aprobado por UL e instalarse de acuerdo con las instrucciones de "Cómo conectar la secadora a la ventilación doméstica" de este manual. Los materiales de los conductos flexibles a menudo se desploman, se aplastan y atrapan pelusas. Estas condiciones obstruyen la corriente de aire de la secadora e incrementan el riesgo de incendio.
- **NO** instale o almacene este aparato en un lugar donde se vea expuesto al agua o a las inclemencias del tiempo.
- Para reducir el riesgo de una lesión grave o de muerte, cumpla con todas las instrucciones de instalación.
- Guarde estas instrucciones. (Instaladores: Asegúrense de dejar estas instrucciones al consumidor).



234D2318P001

31-16767-2 06-15 GE

Instrucciones de instalación

Advertencias de la Proposición 65 del Estado de California:

La Ley sobre Agua Potable Inocua y Tratamiento de Residuos Tóxicos de California (California Safe Drinking Water and Toxic Enforcement Act) solicita al Gobernador de California que publique una lista de sustancias que el estado reconoce que producen cáncer, defectos de nacimiento u otros daños reproductivos y solicita a las empresas que adviertan sobre la posible exposición a tales sustancias.

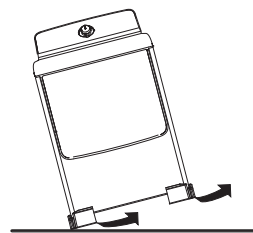
ADVERTENCIA Este producto contiene uno o más químicos que el Estado de California entiende que producen cáncer, defectos en el nacimiento u otros daños reproductivos.

Los electrodomésticos a gas pueden causar una exposición de bajo nivel a algunas de estas sustancias, incluyendo benceno, monóxido de carbono, formaldehído y hollín, ocasionado principalmente por la combustión incompleta de gas natural o combustibles de LP. La exposición a estas sustancias puede ser minimizada ventilando correctamente la secadora hacia el exterior.

CÓMO DESEMPACAR LA SECADORA

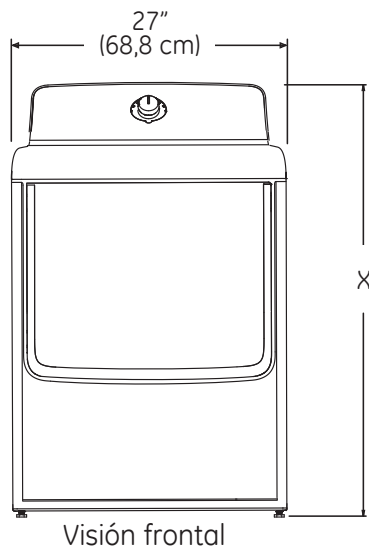
Incline la secadora de costado y saque los paños de espuma de embalaje tirando de los costados y quitándolos de las patas de la secadora. Asegúrese de quitar todas las piezas de espuma de las patas.

Saque la literatura y la bolsa que contiene la información.

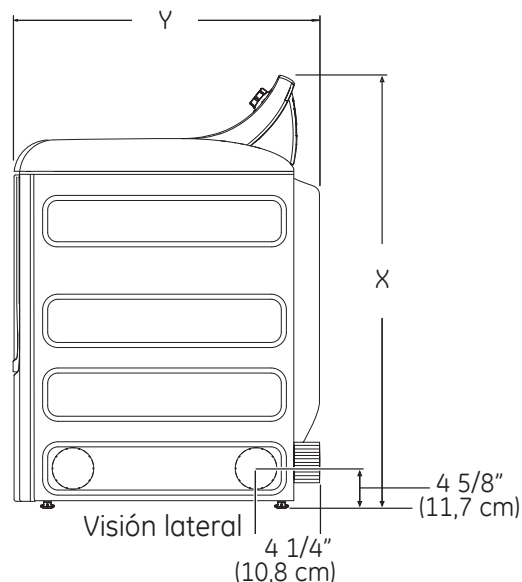


DIMENSIONES APROXIMADAS

Pie Cúbico	X	Y
6.2	43 3/8" (110 cm)	26 3/4" (68 cm)
7.2	43 3/8" (110 cm)	29 1/2" (75 cm)
7.4	43 3/4" (111 cm)	30 1/2" (78 cm)



Visión frontal



Visión lateral

MANGUERA DE VAPOR Y AGUA:

GE recomienda enfáticamente el uso de piezas específicas de fábrica. A continuación figura una lista de mangueras de fabricas que podrá adquirir. Dichas mangueras son fabricadas y probadas de modo que se cubran las especificaciones de GE.

GE recomienda enfáticamente el uso de nuevas mangueras de suministro de agua. Con el paso del tiempo, las mangueras se degradan y deben ser reemplazadas cada 5 años, a fin de reducir el riesgo de fallas sobre las mismas y daños con el agua.

Piezas y Accesorios

Ordene hoy a través de Internet en GEAppliancesparts.com, las 24 horas del día o en forma telefónica llamando al **800.626.2002**, durante el horario comercial habitual.

Número de Pieza

WE25X20060

O

WE1M847

WE01X22395

PM14X10056

WX14X10007

Accesorio

Kit completo (mangueras, lavadora con adaptador en Y) (incluido)

Manguera larga y

Manguera corta

Cepillo de ventilación de la abertura de la puerta de la secadora (no incluido)

Cepillo con tubería giratoria LintEater™ (no incluido)

Instrucciones de instalación

REQUERIMIENTOS PARA INSTALACIÓN EN NICHOS O ARMARIOS

ADVERTENCIA - Riesgo de explosión

Mantenga cualquier material y vapores inflamables, tales como gasolina, alejados de la secadora. Coloque la secadora a por lo menos 18" (46 cm.) del piso cuando sea instalada en un garaje. Si no se cumple con esto, se podrá producir una explosión, incendio o la muerte.

- Si se aprobó la instalación de su secadora en alcoba o armario, esto figurará en una etiqueta en el reverso de la secadora.
- Esta secadora DEBE tener una ventilación al exterior. Ver la sección SALIDA AL EXTERIOR DE LA SECADORA.
- El espacio libre mínimo entre la secadora y las paredes adyacentes u otras superficies es:
 - 0" en ambos lados
 - 3" (7.62 cm) en el frente
 - 0" en la parte trasera pero 1" (2.54 cm) mínimo es la recomendada
- El espacio vertical mínimo de la parte superior de la secadora hasta los estantes, armarios, techos, etc, es de 1.
- Se deberá considerar que se debe brindar el despeje adecuado para la instalación y el servicio técnico.
- Las puertas del armario deben contar con rejillas u otro tipo de ventilación y tener por lo menos 60 pulgadas cuadradas de espacio abierto igualmente distribuido. Si el armario incluye una lavadora y una secadora, las puertas deben contener un mínimo de 120 pulgadas cuadradas de espacio abierto distribuido uniformemente.

NOTA: CUANDO EL CONDUCTO DE ESCAPE SE ENCUENTRA EN LA PARTE TRASERA DE LA SECADORA, LA CONFIGURACIÓN DEL DUCTO DE ESCAPE PUEDE REQUERIR MAS DE 0" DE ESPACIO EN LA PARTE TRASERA. 1" (2.54 CM) MÍNIMO ES LA RECOMENDADA.

Secadoras a Gas Únicamente:

- No se deberá instalar ningún otro electrodoméstico que consuma combustible en el mismo armario donde haya una secadora a gas.
- La secadora se deberá desconectar de la tubería de suministro de gas durante la prueba de presión en presiones superiores a ½ psi (3.5 kPa).

Secadoras a Gas Únicamente - continuado:

- Una rosca cubierta NPT de 1/8", accesible para la conexión de un dispositivo de calibración, deberá ser instalada inmediatamente arriba de la conexión del suministro de gas a la secadora.

ESPACIO LIBRE MÍNIMO EN OTROS ESPACIOS QUE NO SEAN INSTALACIONES EN NICHOS O ARMARIOS

Los espacios libres mínimos respecto de superficies combustibles y de aberturas de aire son: 0" a ambos lados; 1" (2.54 cm) en el frente; 0" en la parte trasera pero 1" (2.54 cm) mínimo es la recomendada. Debe tenerse en cuenta un espacio libre adecuado para un funcionamiento y reparación correctos.

INSTALACIÓN EN CASAS MÓVILES O PREFABRICADAS

- Instalación debe cumplir con la NORMA SOBRE CONSTRUCCIÓN Y SEGURIDAD DE CASAS PREFABRICADAS, TÍTULO 24, PARTE 32-80 o Norma CAN/CSA-Z240 MH, o, cuando dicha norma no sea aplicable, con la NORMA NACIONAL ESTADOUNIDENSE PARA CASAS MÓVILES, ANSI/NFPA N° 501B.
- La secadora DEBE tener ventilación al exterior. La ventilación del escape deberá estar ajustado de forma segura a una parte no combustible de la casa rodante.
- La ventilación NO DEBE terminar debajo de una casa móvil o prefabricada.
- El material del conducto de ventilación DEBE SER METAL.
- DEBE utilizarse el KIT 14-D346-33 para conectar bien la secadora a la estructura.
- La ventilación NO DEBE conectarse a ningún otro conducto, ventilación o chimenea.
- No utilice tornillos para placas de metal u otros dispositivos de sujeción que se extiendan al interior de la ventilación de salida.
- Debe contar con una abertura con un espacio libre de por lo menos 25 pulgadas cuadradas para el ingreso de aire exterior dentro de la secadora habitación.
- Para acceder a información sobre la conexión eléctrica, consulte la section.

CABLES DE CORRIENTE:

GE recomienda enfáticamente el uso de piezas específicas de fábrica. Seleccione el cable de corriente que se adecúe a sus requisitos de instalación.

Ordene a través de Internet en GEAppliancesParts.com, las 24 horas del día o en forma telefónica llamando al **800.626.2002**, durante el horario comercial habitual.

Pieza N°	Tipo	Longitud	Amperios
WX9X2	3-Clavijas	4 Pies	30
WX9X3	3-Clavijas	5 Pies	30
WX9X4	3-Clavijas	6 Pies	30
WX9X18	4-Clavijas	4 Pies	30
WX9X19	4-Clavijas	5 Pies	30
WX9X20	4-Clavijas	6 Pies	30

Instrucciones de instalación

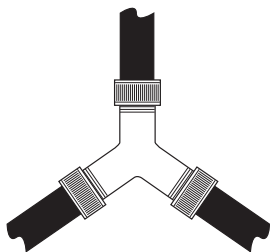
CÓMO CONECTAR MANGUERAS DE ENTRADA

CÓMO CONECTAR MANGUERAS DE ENTRADA

Para producir vapor, la secadora debe conectarse al suministro de agua fría. Ya que la lavadora también debe conectarse al agua fría, debe introducirse un conector en "Y" para permitir que ambas mangueras de entrada puedan utilizarse al mismo tiempo.

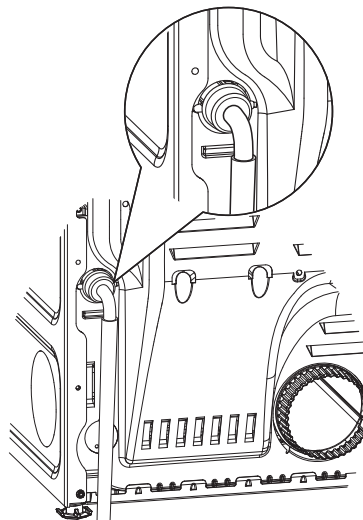
NOTA: Utilice las nuevas mangueras de entrada provistas; nunca utilice mangueras viejas.

1. Cierre el grifo de agua fría. Quite la manguera de entrada de la lavadora del conector de la válvula de llenado (fría).
2. Asegúrese de que la arandela plana de goma se encuentre en su lugar y sujete una unión hembra de la manguera corta en el conector de la válvula de llenado de la lavadora. Ajuste a mano hasta que esté firmemente asentada.
3. Sujete un extremo macho del conector en "Y" a la unión hembra de la manguera corta. Asegúrese de que la arandela plana de goma se encuentre en su lugar. Ajuste a mano hasta que esté firmemente asentada.



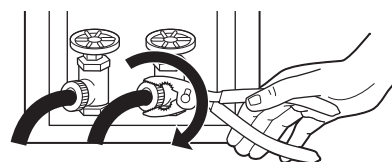
4. Introduzca el filtro en la unión de la manguera de entrada de la **lavadora**. Si la arandela plana de goma ya se encuentra en su lugar, quítela antes de instalar el filtro. Sujete esta unión a un extremo macho del conector en "Y". Ajuste a mano hasta que esté firmemente asentada.
5. Asegúrese de que la arandela plana de goma se encuentre en su lugar y sujete la manguera larga de entrada de la **secadora** a un extremo macho del conector en "Y". Ajuste a mano hasta que esté firmemente asentada.
6. Asegúrese de que la arandela plana de goma se encuentre en su lugar y sujete el otro extremo de la manguera larga de entrada al conector de la válvula de llenado en la parte inferior del panel trasero de la **secadora**. Ajuste a mano hasta que esté firmemente asentada.

CÓMO CONECTAR MANGUERAS DE ENTRADA (cont.)



7. Utilizando alicates, ajuste todas las uniones con un giro adicional de dos tercios.

NOTA: No ajuste de más. Pueden dañarse las uniones.



8. Abra el grifo de agua.
9. Controle la presencia de pérdidas alrededor del conector en "Y", el grifo y las uniones de las mangueras.

REQUISITOS DE SUMINISTRO DE AGUA

Los grifos de agua caliente y fría DEBEN instalarse dentro de las 42 pulg. (107 cm) de la entrada de agua de la lavadora. Los grifos DEBEN ser del tipo de manguera de jardín de 3/4 pulg. (1.9 cm) para que las mangueras de entrada puedan conectarse. La presión de agua DEBE hallarse entre 10 y 120 libras por pulgada cuadrada. La compañía de agua puede informarle sobre la presión de agua.

NOTA: Se recomienda el uso de un suavizante de agua para reducir la acumulación de sarro dentro del generador de vapor si el suministro doméstico contiene agua muy dura.

Instrucciones de instalación

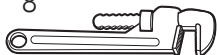
CÓMO CONECTAR UNA SECADORA A GAS (si se cuenta con una secadora eléctrica, saltar este paso)

HERRAMIENTAS NECESARIAS

- Llaves ajustables de 10" (2)



- Llave para tubos de 8"



- Pinzas



- Destornillador de lados planos



- Nivel



MATERIALES NECESARIOS

- Codo de metal de 4" diámetro



- Compuesto o PTFE cinta para tuberías



- Conector de tubería de gas flexible



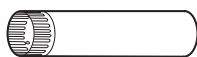
- Abrazaderas de tubería (2) o abrazaderas de resorte (2)



- Gafas de seguridad



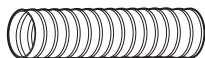
- Conducto de metal de 4" diámetro (recomendado)



- 4" Placa de cubierta (Kit WE1M454)



- Conducto de metal flexible de 4" diámetro (si fuese necesario)



- Guantes



- Solución jabonosa para detección de pérdidas



- Campana de salida



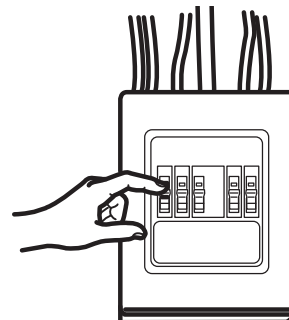
- Cinta aislante



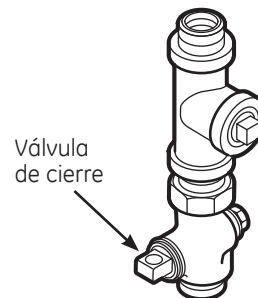
- Gas adaptador (2), codo, y tapón de tubería



Antes de comenzar la instalación, apague el disyuntor o quite los fusibles de la secadora de la caja eléctrica. Verifique que el cable de la secadora esté desenchufado del tomacorriente.



Gire a la posición OFF (apagado) la válvula de gas de la secadora de la línea de suministro.



Desconecte y elimine el conector flexible de gas y el material del conducto.



Instrucciones de instalación

CÓMO CONECTAR UNA SECADORA A GAS (cont.) (si se cuenta con una secadora eléctrica, saltar este paso)

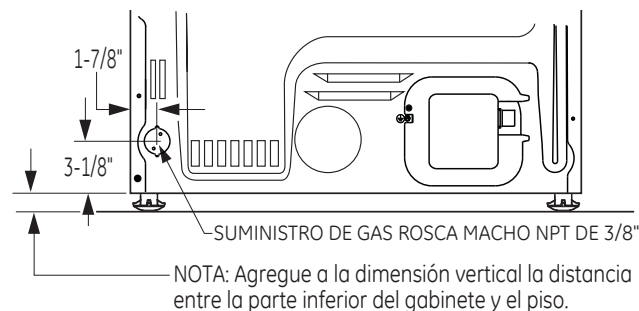
REQUERIMIENTOS DE GAS

⚠ ADVERTENCIA - Riesgo de explosión

- Use una línea nueva de suministro de gas flexible que esté aprobada por CSA International. Nunca vuelva a usar conectores flexibles viejos.
- Instale la válvula de cierre.
- De forma segura ajuste todas las conexiones de gas.
- Si la conexión fue realizada a gas LP, solicite a una persona calificada que le asegure que la presión del gas no supera una columna de agua de 13".
- Ejemplos de una persona calificada incluyen: Personal de calefacción calificado, personal autorizado de una compañía de gas, y personal autorizado del servicio técnico.
- Si no se cumple con esto, se podrá producir la muerte, una explosión o incendio.

- Esta secadora a gas está equipada con un montaje de válvula y quemador para utilizar sólo con gas natural. Mediante el kit de conversión WE25X217, la organización de atención local puede convertir esta secadora para su uso con gas propano (LP). (Para convertir de gas propano (LP) al gas natural, se utilizará el kit de conversión WE25X218.) **TODAS LAS CONVERSIONES DEBEN LLEVARLAS A CABO PERSONAL CAPACITADO Y CALIFICADO EN CUMPLIMIENTO CON CÓDIGOS LOCALES Y REQUERIMIENTOS DE ORDENANZAS.**

CONEXIÓN DE SUMINISTRO DE GAS DE LA SECADORA



- Debe utilizar un conector flexible metálico listado por ANSI Z21.24/CSA 6.10. La longitud del conector no excederá 3 pies.

SUMINISTRO DE GAS

- Debe instalarse una toma a rosca de 1/8" NPT, accesible para una conexión del manómetro de prueba, inmediatamente en sentido ascendente de la conexión de suministro de gas hacia la secadora. Si tiene dudas sobre la instalación de la toma, comuníquese con su empresa proveedora de gas local.
- La línea de suministro debe ser de tubería rígida de 1/2" y debe contar con un cierre accesible dentro de los 6 pies de la secadora, dentro de la misma habitación donde se encuentra la misma.
- Utilice compuesto para rosca de tubería apropiado para gas natural o LP o utilice cinta de PTFE.
- Una el conector de metal flexible a la secadora y al suministro de gas.
- La instalación deberá ser conforme con los códigos locales, o en ausencia de los códigos locales, con el Código Nacional de Gas Combustible (National Fuel Gas Code), ANSI Z223.1/NFPA 54, o el Código de Instalación de Gas Natural o Propano (Natural Gas and Propane Installation Code), CSA B149.1.

EN LA MANCOMUNIDAD DE MASSACHUSETTS

- Este producto debe instalarlo un plomero matriculado o un instalador de gas.
- Cuando use válvulas esféricas de apagado de gas, deberán ser del tipo de manija en T.
- Si se usa una conexión flexible para gas, ésta no debe superar los 3 pies.

AJUSTE PARA ELEVACIÓN

- Los niveles de entrada de las secadoras de ropa a gas están basados en el funcionamiento al nivel de mar y no necesitan ajustes para funcionar en o por debajo de los 2000 pies de elevación. Para un funcionamiento a más de 2000 pies de elevación, los niveles de entrada se deberían reducir a un promedio del 4 por ciento por cada 1000 pies sobre el nivel del mar.
- La instalación debe cumplir con los códigos y ordenanzas locales, o en su ausencia, con el CÓDIGO NACIONAL DE GAS COMBUSTIBLE (NATIONAL FUEL GAS CODE), ANSI Z223.

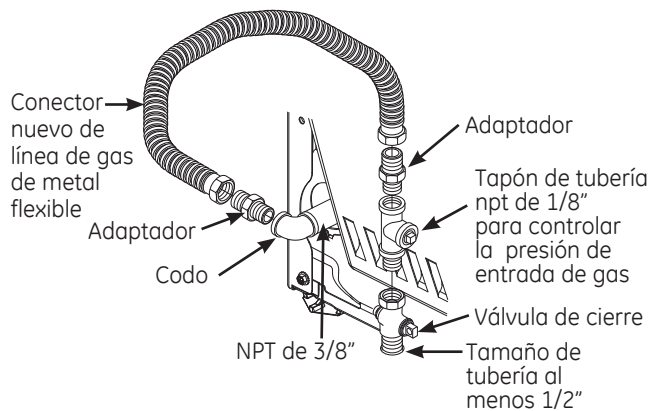
Instrucciones de instalación

CÓMO CONECTAR LA SECADORA AL SUMINISTRO DE GAS

- A** Instale un codo hembra NPT de 3/8" al final de la entrada de gas de la secadora.
Instale un adaptador de unión cónica de 3/8" al codo hembra.

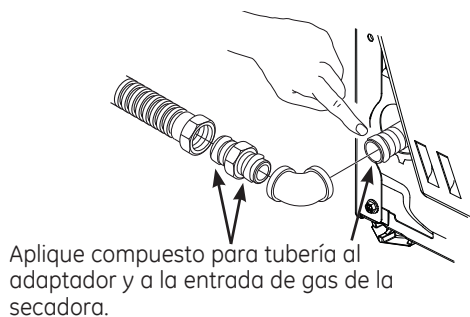
IMPORTANTE: Utilice una llave para tubos para sostener bien el extremo de la entrada de gas de la secadora para no doblar la entrada.

NOTA: Aplique compuesto para tubería o cinta PTFE a las roscas del adaptador y la entrada de gas de la secadora.

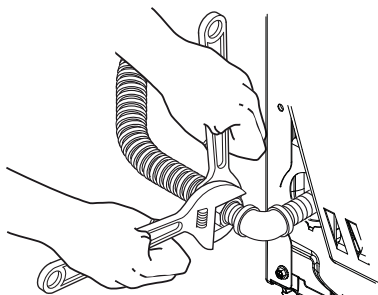


Los productos que no suministrados

- B** Una el conector de tubería de gas de metal flexible al adaptador.



- C** Ajuste la conexión de tubería flexible de gas, utilizando dos llaves ajustables.

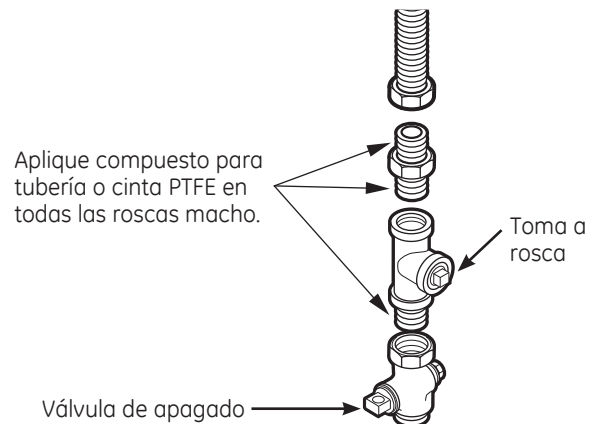


CÓMO CONECTAR LA SECADORA AL SUMINISTRO DE GAS (cont.)

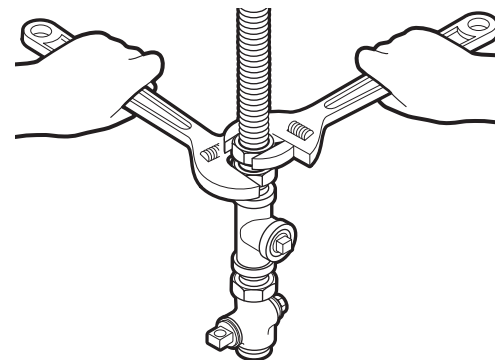
- D** Instale una toma a rosca de 1/8" NPT en la válvula de apagado de la tubería de gas de la secadora para controlar la presión de gas en la entrada.

Instale un adaptador de unión cónica en la toma a rosca.

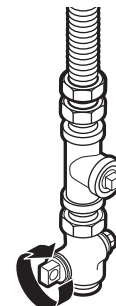
NOTA: Aplique compuesto para tubería o cinta PTFE a las roscas del adaptador y a la toma.



- E** Ajuste todas las conexiones mediante dos llaves ajustables. **No ajuste de más.**



- F** Cierre la válvula de apagado del gas.



Instrucciones de instalación

CÓMO CONECTAR UNA SECADORA A GAS (cont.) (si se cuenta con una secadora eléctrica, saltar este paso)

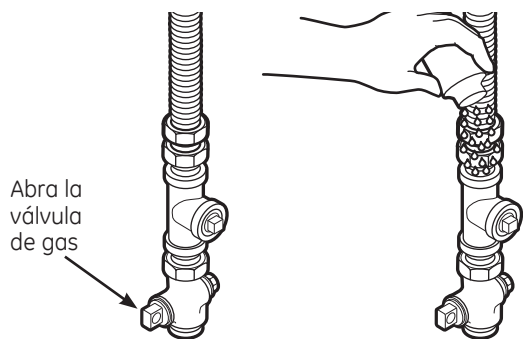
PRUEBA DE PÉRDIDAS

Nunca utilice una llama abierta para detectar pérdidas de gas.

Controle todas las conexiones con una solución jabonosa o un elemento equivalente.

Aplique una solución jabonosa. La solución para controlar pérdidas no debe contener amoníaco, ya que este producto puede dañar los accesorios de bronce.

Si se detectan pérdidas, cierre la válvula, vuelva a ajustar la junta y repita la prueba de la solución jabonosa and repeat the soap test.



CONEXIÓN ELÉCTRICA INFORMACIÓN SOBRE LAS SECADORAS A GAS

⚠ ADVERTENCIA  - Riesgo de Descarga Eléctrica

Enchufe en un tomacorriente con conexión a tierra de 3 cables.

NO retire la conexión a tierra.

NO UTILICE un cable de extensión.

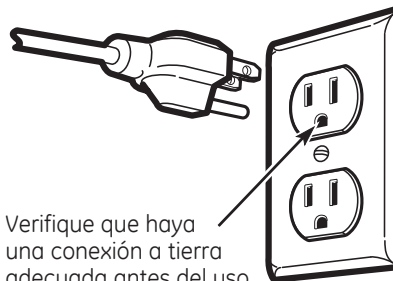
NO UTILICE un enchufe adaptador con este artefacto.

Si no se siguen estas instrucciones, se podrá producir la muerte o descargas eléctricas.

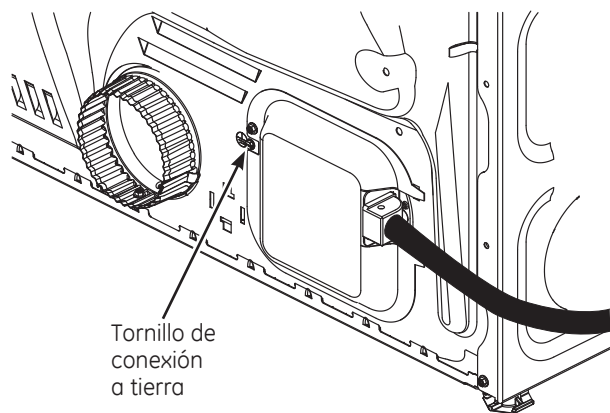
CONEXIÓN ELÉCTRICA INFORMACIÓN SOBRE LAS SECADORAS A GAS (cont.)

La secadora debe contar con una conexión eléctrica a tierra en cumplimiento con los códigos locales, o si éstos no existieran, de acuerdo con el Código Eléctrico Nacional, ANSI/NFPA 70 o el Código Eléctrico Canadiense CSA C22.1.

Este artefacto debe contar con un suministro de 120V, 60Hz, debe estar conectado a un circuito derivado individual con una adecuada conexión a tierra y deben contar con la protección de un disyuntor o fusible de tiempo retardado de 15 o 20 amperios. Si el suministro eléctrico provisto no reúne estos requerimientos, es responsabilidad del dueño solicitar a un electricista calificado la instalación de un tomacorriente de 3 patas con conexión a tierra.



Si los códigos locales lo permiten, se podrá agregar un cable a tierra externo (no provisto), ajustando el mismo al tornillo conectado a tierra de color verde en la parte trasera de la secadora, y a una conexión cañería metálica de agua fría conectada a tierra u otra conexión a tierra establecida.





Instrucciones de instalación




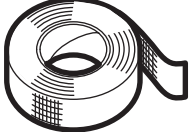

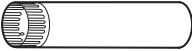
CÓMO CONECTAR UNA SECADORA ELECTRICA

(Sáltese si se trata de las secadoras a gas o si su secadora ya tiene un cable de alimentación conectado)

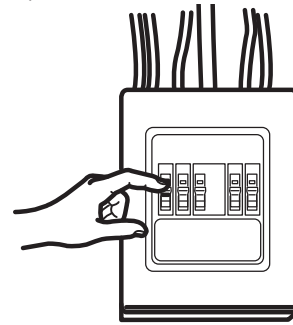
HERRAMIENTAS NECESARIAS

-  Pinzas
-  Destornillador Phillips
-  Destornillador de lados planos
-  Nivel

MATERIALES NECESARIOS

-  Codo de metal de 4" de diámetro
-  Guantes
-  Alivio de tensión de 3/4" (reconocido por UL)
-  Campana de salida
-  Abrazaderas de tubería de 4" (2) o abrazaderas de resorte de 4" (2)
-  Cinta aislante
-  Gafas de seguridad
-  Conducto de metal de 4" de diámetro (recomendado)
-  Conducto de metal flexible de 4" de diámetro (si fuese necesario)
-  Kit de cable de energía de la secadora (no incluido con la secadora)
Clasificado UL, de 120/240V, 30A con 3 o 4 patas. Identifique el tipo de enchufe según el tomacorriente de la vivienda antes de comprar el cable.
-  4" Placa de cubierta (Kit WE1M454)

Antes de efectuar la conexión eléctrica, desactive los disyuntores o quite los fusibles del circuito de la secadora de la caja eléctrica. Verifique que el cable de la secadora esté desenchufado del tomacorriente. **NUNCA OLVIDE DE VOLVER A COLOCAR LA TAPA DE ACCESO DEL BLOQUE TERMINAL.**



Instrucciones de instalación

CÓMO CONECTAR UNA SECADORA ELECTRICA (cont.)

(Sáltese si se trata de las secadoras a gas o si su secadora ya tiene un cable de alimentación conectado)

CONEXIÓN ELÉCTRICA INFORMACIÓN SOBRE LAS SECADORAS ELÉCTRICAS Para realizar conexiones eléctricas con un cable de corriente:

ADVERTENCIA - Riesgo de incendio

Use un cable de suministro de corriente de la secadora de 30 amperes y 240V de la lista de UL, con terminales de anillo cerradas o terminales de espada con extremos al revés.

Use un amortiguador con refuerzo de la lista de UL. Desconecte la corriente antes de realizar conexiones eléctricas.

Conecte el cable neutro (el blanco o el cable central) a la terminal central.

El cable a tierra (verde o pelado) se deberá conectar al conector a tierra verde.


Conecte los dos cables de suministro restantes a las dos terminales restantes.

De forma segura ajuste todas las conexiones eléctricas. Reemplace la tapa del bloque terminal.

Si no cumple con esto, se podrá producir la muerte, incendio o descarga eléctrica.

INSTRUCCIONES DE CONEXIÓN A TIERRA

Para una secadora conectada con cable con conexión a tierra: Esta secadora deberá estar conectada a tierra. En caso de mal funcionamiento o avería, la conexión a tierra reducirá el riesgo de descargas eléctricas al brindar un camino con una resistencia menor para la corriente eléctrica. Esta secadora está equipada con un cable con un conductor para la conexión a tierra del equipo y un enchufe con conexión a tierra. El enchufe deberá estar conectado a un tomacorriente instalado en forma adecuada y con conexión a tierra de acuerdo con todos los códigos y ordenanzas locales.

 **ADVERTENCIA** Una conexión inapropiada del conductor de conexión a tierra del equipo puede provocar riesgos de descargas eléctricas. Consulte a un electricista calificado o personal o representantes del servicio técnico si tiene dudas de que el electrodoméstico se encuentre conectado a tierra apropiadamente. **NO** modifique el enchufe en el cable de suministro de corriente. Si no coincide con la toma de corriente, contrate a un electricista calificado para que instale una toma de corriente en forma adecuada.

GUARDE ESTAS INSTRUCCIONES

CONEXIÓN ELÉCTRICA INFORMACIÓN SOBRE LAS SECADORAS ELÉCTRICAS Para conexiones directas de cables:

ADVERTENCIA - Riesgo de incendio

Use un cable de cobre con calibre de 10

Use un amortiguador con refuerzo de la lista de UL. Desconecte la corriente antes de realizar conexiones eléctricas.

Conecte el cable neutro (el blanco o el cable central) a la terminal central.

El cable a tierra (verde o pelado) se deberá conectar al conector a tierra verde.

Conecte los dos cables de suministro restantes a las dos terminales restantes.

De forma segura ajuste todas las conexiones eléctricas. Reemplace la tapa del bloque terminal.

Si no cumple con esto, se podrá producir la muerte, incendio o descarga eléctrica.

INSTRUCCIONES DE CONEXIÓN A TIERRA

Para una secadora conectada de forma permanente: Esta secadora debe estar conectada a un sistema de cableado de metal permanente con conexión a tierra o se debe tender un conductor para la conexión a tierra del equipo con los conductores del circuito y ser conectado al terminal de tierra del electrodoméstico.

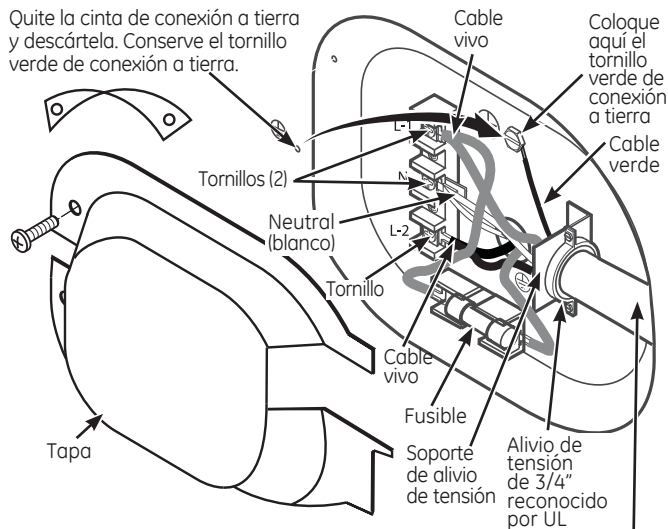
 **ADVERTENCIA** Una conexión inapropiada del conducto de conexión a tierra del equipo puede provocar riesgos de descargas eléctricas. Consulte a un electricista calificado o personal o representantes del servicio técnico si tiene dudas de que el electrodoméstico se encuentre conectado a tierra apropiadamente.

GUARDE ESTAS INSTRUCCIONES

Instrucciones de instalación

CÓMO CONECTAR LA SECADORA USANDO UNA CONEXIÓN DE 4 CABLES (DEBE UTILIZARSE EN INSTALACIONES DE CASAS RODANTES)

NOTA: Desde el 1 de enero de 1996, el Código Eléctrico Nacional exige que las nuevas construcciones utilicen una conexión de 4 cables a una secadora eléctrica. También debe usarse un cable de 4 alambres cuando los códigos locales no permiten una conexión a tierra a través de cable neutral. NO debe usarse una conexión de tres cables en una construcción nueva.



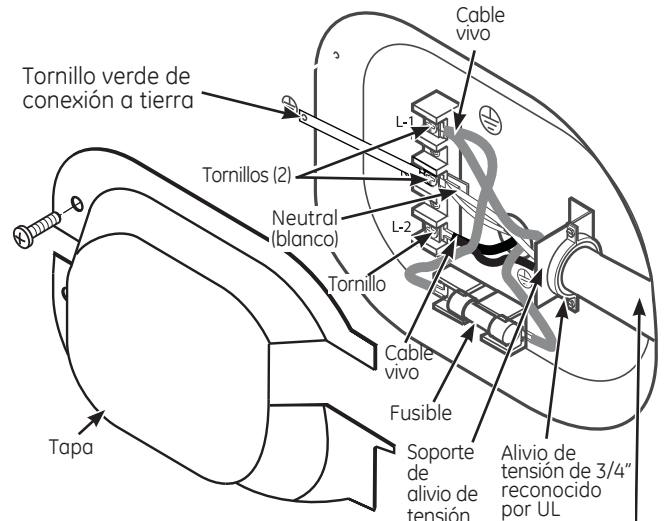
4 conductores de cobre #10 AWG mínimo o kit de cable de suministro de energía de 120/240V 30A marcado para su uso con secadoras y provisto con terminales de bucle cerrado o hembra con extremos hacia arriba (no provistos).

1. Desactive el disyuntor (30 amperios) o quite el fusible del circuito de la secadora de la caja eléctrica.
2. Verifique que el cable de la secadora esté desenchufado del tomacorriente.
3. Quite la tapa del cable de energía ubicada en la parte trasera inferior.
4. Quite y descarte la cinta de conexión a tierra. Conserve el tornillo verde de conexión a tierra para el paso 7.
5. Instale un alivio de tensión de 3/4 pulgadas reconocido por UL en el orificio de entrada del cable de energía. Pase el cable de energía a través del alivio de tensión.
6. Conecte el cable de energía de la siguiente manera:
 - A. Conecte los dos cables vivos a los tornillos externos del bloque terminal (marcado L1 y L2).
 - B. Conecte el cable neutral (blanco) al centro del bloque terminal (marcado N).
7. Conecte el cable a tierra del cable de energía con el tornillo verde de conexión a tierra (orificio sobre el soporte de alivio de tensión). Ajuste por firmemente todos los tornillos (3) del bloque terminal.
8. Ajuste bien el cable de energía al alivio de tensión.
9. Vuelva a instalar la tapa.

NUNCA OLVIDE DE VOLVER A COLOCAR LA TAPA DEL BLOQUE TERMINAL.

CÓMO CONECTAR LA SECADORA UTILIZANDO UNA CONEXIÓN DE 3 CABLES

Si así lo requirieran los códigos locales, instale una conexión a tierra externa (no provista) a metal con conexión a tierra, tuberías de agua fría con conexión a tierra u otra conexión a tierra establecida por un electricista calificado.



3 conductores de cobre #10 AWG mínimo o kit de cable de suministro de energía de 120/240V 30A marcado para su uso con secadoras y provisto con terminales de bucle cerrado o hembra con extremos hacia arriba (no provistos).

Conexión de 3 cables

NO usar en Canadá.

NO usar en instalaciones en casas móviles.

NO usar en casas nuevas.

NO usar en vehículos recreativos.

NO usar en áreas donde los códigos locales prohíben la conexión eléctrica a tierra por el medio del cable neutral.

1. Desactive el disyuntor (30 amperios) o quite el fusible del circuito de la secadora de la caja eléctrica.
2. Verifique que el cable de la secadora esté desenchufado del tomacorriente.
3. Quite la tapa del cable de energía ubicada en la parte trasera inferior.
4. Instale un alivio de tensión de 3/4 pulgadas reconocido por UL en el orificio de entrada del cable de energía. Pase el cable de energía a través del alivio de tensión.
5. Conecte el cable de energía de la siguiente manera:
 - A. Conecte los dos cables vivos a los tornillos externos del bloque terminal (marcado L1 y L2).
 - B. Conecte el cable neutral (blanco) al centro del bloque terminal (marcado N).
6. Asegúrese de que la cinta de conexión a tierra esté conectada a la terminal neutral (central) del bloque y al tornillo verde de conexión a tierra de la parte trasera del gabinete. Ajuste por firmemente todos los tornillos (3) del bloque terminal.
7. Ajuste bien el cable de energía al alivio de tensión.
8. Vuelva a instalar la tapa.

NUNCA OLVIDE DE VOLVER A COLOCAR LA TAPA DEL BLOQUE TERMINAL.

Instrucciones de instalación

SALIDA AL EXTERIOR DE LA SECADORA

ADVERTENCIA - Riesgo de incendio

Esta secadora DEBE tener una ventilación al exterior.

Utilice sólo un conducto de metal rígido de 4" para la ventilación de salida doméstico.

Utilice sólo un conducto de transición de metal rígido de 4" o de la lista de UL para conectar la secadora a la salida del hogar conducto.

NO use una ventilación del plástico.

NO use la salida de una chimenea, la salida de la cocina, ventilación de gas, pared, cielo raso, ático, espacio de rastreo, o espacio escondido de una edificación.

NO instale una pantalla en o sobre el conducto de salida.

NO use un conducto más largo que aquél especificado en la tabla de longitud de salida.

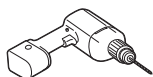
Si no se siguen estas instrucciones se podrá producir la muerte o un incendio.

HERRAMIENTAS Y MATERIALES NECESARIOS PARA INSTALAR UN CONDUCTO DE SALIDA

Destornillador phillips



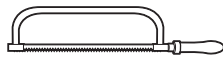
Perfore con una broca de 1/8" drill bit (para ventilación inferior)



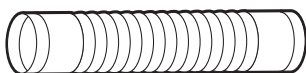
Cinta aislante o abrazaderas de tubería



Sierra para metales



Conducto de metal de 4" (10,2 cm) flexible o rígido listado UL



Campana de ventilación



PIEZAS DISPONIBLES EN LAS ORGANIZACIONES DE SERVICIO LOCALES

• Componentes conductos metálicos rígidos

WX8X63 4 x 1 Ducto

WX8X64 4 x 2 Ducto

WX8X51 4 Codo

WX8X59 Capuchón de Aluminio 4

• Componentes conductos metálicos flexibles

WX8X58 Pinzas 4 (2)

WX8X59 Capuchón de Aluminio 4

WX08X10077 6 Ducto UL-, Metal Flexible (Semi-Rígido) 2 Pinzas, 2 Codos de cierre

WE1M454 Cubierta para abertura del escape posterior

CONEXIÓN DE LA SECADORA A LA VENTILACIÓN DE LA CASA

CONDUCTO DE TRANSICIÓN DE METAL RÍGIDO

- Para un mejor funcionamiento del secado, se recomienda el uso de un conducto de transición de metal rígido.
- Los conductos de transición de metal rígido reducen el riesgo de que se puedan aplastar o doblar.

CONDUCTO DE TRANSICIÓN DE METAL FLEXIBLE SECADORA DE ROPA DE LA LISTA DE UL

- Si un conducto de metal rígido no puede ser utilizado, entonces un conducto de metal flexible aprobado por UL puede ser utilizado. (GE partes - PM08X10085, WX08X10085 o WX08X10077.)
- Nunca instale un conducto de transición en paredes, cielos rasos, pisos u otros espacios adjuntos.
- La longitud total del conducto de transición no deberá superar los 8' (2.4 m).
- Para muchas aplicaciones, se recomienda enfáticamente la instalación de codos tanto en la secadora como en la pared. Los codos permiten que la secadora pueda estar junto a la pared sin que se aplaste ni se doble el conducto de transición, maximizando el rendimiento del secado.

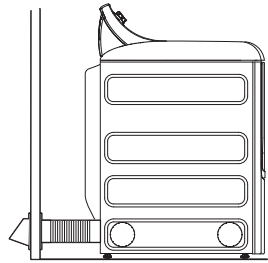
- Evite que la tubería se apoye sobre objetos cortantes.

CONDUCTO DE TRANSICIÓN DE METAL FLEXIBLE (TIPO HOJA DE ALUMINIO) DE LA LISTA DE UL

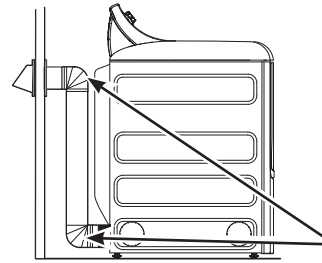
- En instalaciones especiales, puede ser necesario conectar la secadora a la ventilación domestica usando un conducto de metal flexible (tipo papel de aluminio). Un conducto universal flexible aprobado por UL (GE partes - PM8X73 o WX8X73) puede ser utilizado ÚNICAMENTE en instalaciones donde un conductor de metal rígido o flexible no puede ser utilizado y donde un diámetro de 4" puede mantenerse a lo largo del conducto.
- En Canadá y en Estados Unidos, sólo se podrán usar los conductos de transición que cumplan con "**UL 2158A STANDARD FOR CLOTHES DRYER TRANSITION DUCT**" (UL 2158A - Norma de conductos para secadoras de ropa).
- Evite que la tubería se apoye sobre objetos cortantes.
- Para un mejor funcionamiento:

1. Deslice un extremo del conducto sobre la tubería de salida de la secadora de ropa.
2. Asegure el conducto con una abrazadera.
3. Con la secadora en su posición permanente, extienda el conducto hasta su máxima extensión. Permita que 2" del conducto se superpongan con la tubería de escape. Corte y retire el sobrante del conducto. Mantenga el conducto lo más recto posible para lograr el flujo de aire máximo.
4. Asegure el conducto a la tubería de escape con la otra abrazadera.

Instrucciones de instalación



• **CORTE** el conducto lo más corto posible e instálelo derecho en la pared.

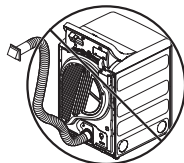


• **UTILICE** codos cuando hagan falta curvas.

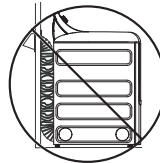
Coudes



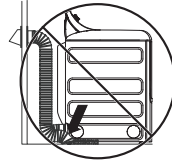
• **NO** doble o pliegue los conductos. Utilice codos si algunos codos resultan necesarios.



• **NO** utilice una longitud de salida excesiva. Corte los conductos con la longitud más corta posible.



• **NO** aplaste el conducto contra la pared.



• **NO** coloque la secadora en el conducto.

LONGITUD DE SALIDA

Al utilizar una salida de mayor longitud a la especificada se:

- Incrementarán los tiempos de secado y el costo de energía.
- Reducirá la vida útil de la secadora.
- Acumulará pelusa, lo que podría generar un riesgo potencial de incendio.

La correcta instalación de salida es SU RESPONSABILIDAD.

Los problemas generados por una instalación incorrecta no se encuentran cubiertos por la garantía.

La longitud MÁXIMA PERMITIDA del sistema de salida depende del tipo de conducto, la cantidad de curvas, la clase de campana de salida (cubierta de pared) y todas las condiciones indicadas en el gráfico.

- Codos internos agregados para conversiones de ventilación lateral o inferior se deberán incluir en la cuenta total de los codos.
- Cualquier codo superior a 45° debería ser considerado como un codo de 90°.
- Dos codos de 45° deberán ser considerados como un codo de 90°.
- Para cada codo adicional de 90°, reduzca en 10 pies la longitud permisible del sistema de escape.
- En el cálculo de la longitud total del sistema de ventilación, debe agregar todas las partes rectas y codos del sistema (incluyendo el conducto de transición).

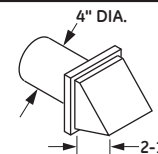
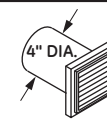
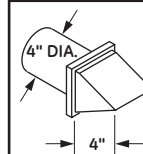
LONGITUD DE ESCAPE

LONGITUD MÁXIMA RECOMENDADA

Tipos de campanas de escape

Recomendado

Use sólo para instalaciones de cortas



Cantidad de codos de 90°	LONGITUD MÁXIMA RECOMENDADA	
	Recomendado	Use sólo para instalaciones de cortas
0	120 Pies	90 Pies
1	100 Pies	75 Pies
2	85 Pies	65 Pies
3	70 Pies	55 Pies
4	60 Pies	45 Pies
5	55 Pies	35 Pies

Instrucciones de instalación

SALIDA AL EXTERIOR DE LA SECADORA (cont.)

LISTA DE CONTROL DEL SISTEMA DE SALIDA

CAMPANA O CUBIERTA DE PARED

- Instale la salida de modo de evitar contracorrientes o el ingreso de pájaros u otros insectos o animales.
- La boca de salida debe presentar una resistencia mínima al flujo de salida y debe requerir poco mantenimiento para evitar las obstrucciones.
- Las cubiertas de pared deben instalarse por lo menos a 12" sobre el nivel del suelo o cualquier otra obstrucción con la abertura apuntando hacia abajo.

SEPARACIÓN DE CURVAS

- Para un mejor desempeño, separe todas las curvas con 4 pies de conducto recto como mínimo, incluyendo la distancia entre la última curva y la cubierta de pared con regulador de tiro.

SELLADO DE JUNTAS

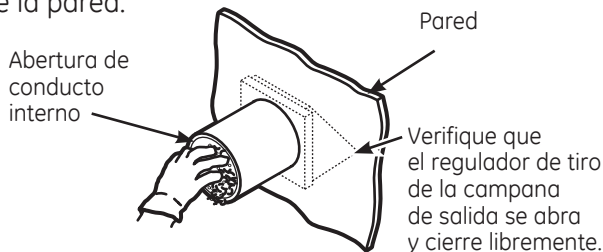
- Todas las juntas deben estar bien selladas para evitar pérdidas. El extremo macho de cada sección de conducto debe apuntar en dirección opuesta de la secadora.
- Las juntas de los conductos deben ser herméticas al aire y a la humedad mediante la superposición de juntas con cinta aislante o cinta de aluminio.
- No ensamble la tubería con tensores que se extiendan sobre el conducto. Estos tensores acumulan pelusa, creando un posible riesgo de incendio.
- Los tramos horizontales deben tener una inclinación hacia el exterior de 1/4" por pie.
- Incluya un acceso para inspección y limpieza del sistema de salida, especialmente en las curvas. Inspeccione y limpie el conducto por lo menos una vez al año.

AISLACIÓN

- Los conductos instalados a través de una área sin calefacción o ubicados cerca de un acondicionador de aire deben aislarse para reducir la condensación y la acumulación de pelusas.

ANTES DE COMENZAR

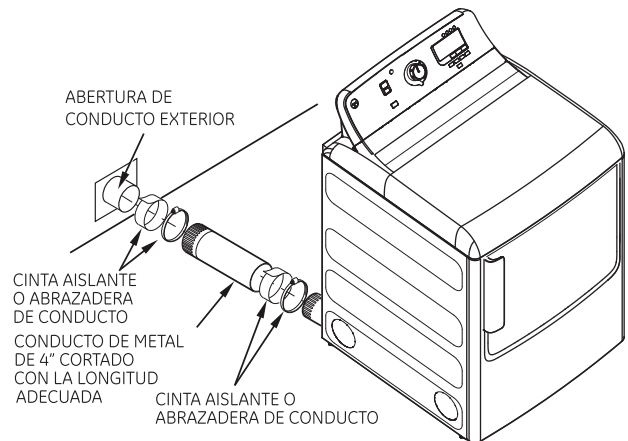
Quite las pelusas de la abertura de salida de la pared.



SALIDA TRASERA ESTÁNDAR

Recomendamos instalar la secadora antes que la lavadora. Esto permitirá un acceso directo para poder efectuar la conexión de salida.

Deslice el extremo del conducto de salida hacia la parte trasera de la secadora y sujete con cinta aislante o una abrazadera de mangueras.

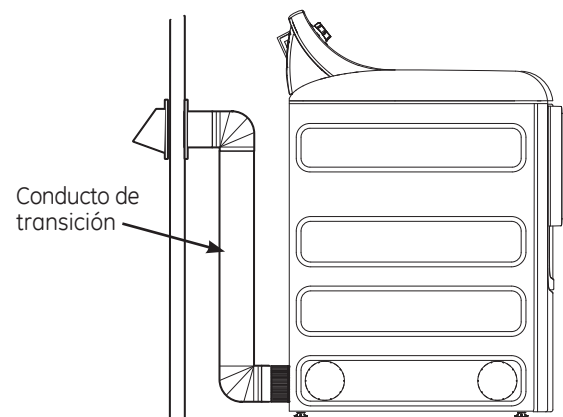


NOTA: Recomendamos el uso de un conducto de salida rígido de metal. Sin embargo, si se usan conductos flexibles éstos deben ser de metal aprobados por UL, no de plástico.

- Para una instalación en línea recta, conecte la salida de la secadora a la pared con cinta aislante o una abrazadera de mangueras.

CONFIGURACIÓN RECOMENDADA PARA MINIMIZAR LAS OBSTRUCCIONES DE LA SALIDA

El uso de codos evitará que los conductos se tuerzan y caigan.



Instrucciones de instalación

VENTILACIÓN LATERAL O POR LA PARTE INFERIOR

La secadora cuenta con una salida hacia la derecha del gabinete sólo en modelos eléctricos.

La secadora cuenta con una salida hacia la izquierda del gabinete en modelos a gas y eléctricos.

La secadora cuenta con una salida por la parte inferior del gabinete en modelos a gas y eléctricos.

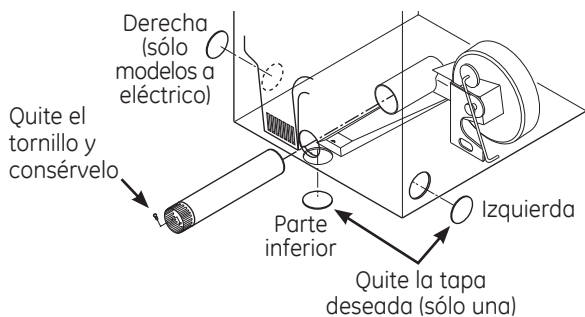
ADVERTENCIA - Riesgo de incendio

Cierre la abertura trasera con la placa protectora (Kit WE1M454).

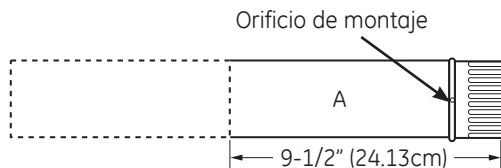
Desconecte la secadora del suministro eléctrico.

Use guantes y protectores para brazos.

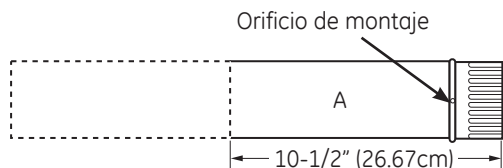
Si esto no se cumple, se podrá producir un incendio, descarga eléctrica o laceraciones.



Despegue y quite la tapa derecha (sólo modelos a eléctrico), izquierda o por la parte inferior según corresponda. Quite el tornillo ubicado dentro del conducto de salida de la secadora y consérvelo. Saque el conducto de la secadora.

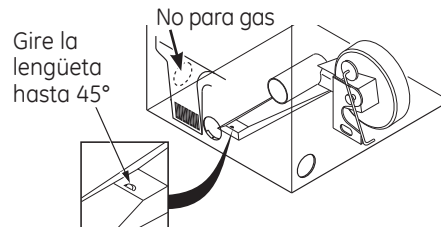


Para los modelos GTD60, GTD65 y GTD68 solamente, use la dimensión de abajo.



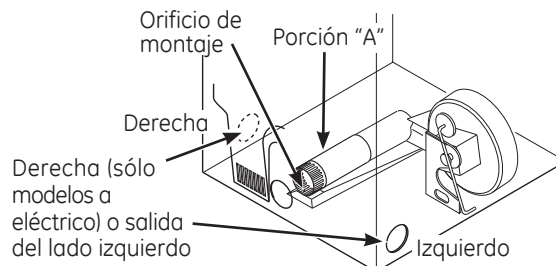
Corte el conducto como puede verse y conserve la porción A.

UBICACIÓN DE LA LENGÜETA



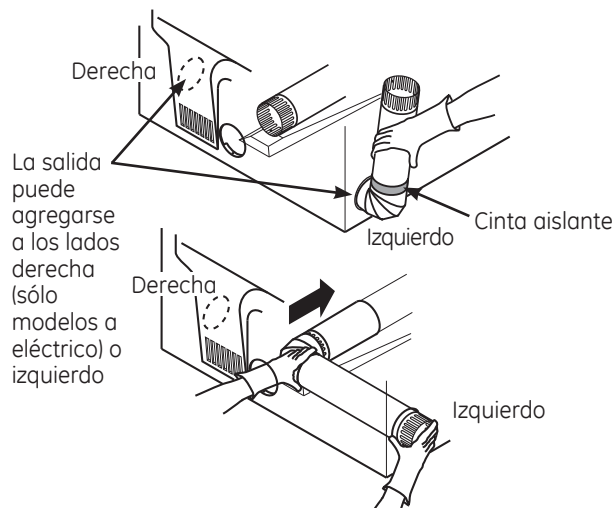
A través de la abertura trasera, ubique la lengüeta en el medio de la base del artefacto. Levante la lengüeta hasta alrededor de 45°, utilizando un destornillador de lados planos.

CÓMO AGREGAR UN CONDUCTO NUEVO



Vuelva a conectar la porción cortada "A" del conducto a la caja del ventilador. Asegúrese de que el conducto más corto se encuentre alineado con la lengüeta de la base. Utilice el tornillo conservado con anterioridad para sujetar el conducto en su lugar a través de la lengüeta de la base del artefacto.

CÓMO AGREGAR CODOS Y CONDUCTOS DE SALIDA HACIA DEL GABINETE



- Arme previamente un codo de 4" con un conducto de 4". Coloque cinta aislante alrededor de la junta.
- Introduzca el montaje del conducto, el codo primero, a través de la abertura lateral y conecte el codo al conducto interno de la secadora.

Asegúrese de no tirar o dañar los cables eléctricos ubicados dentro de la secadora cuando introduzca el conducto.

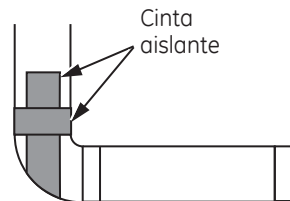
Instrucciones de instalación

SALIDA AL EXTERIOR DE LA SECADORA (cont.)

VENTILACIÓN LATERAL O POR LA PARTE INFERIOR (cont.)

CÓMO AGREGAR CODOS Y CONDUCTOS DE SALIDA HACIA LA IZQUIERDA O DERECHA DEL GABINETE (cont.)

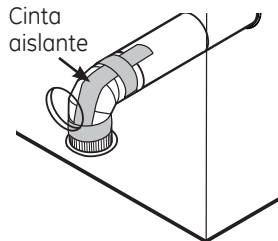
- Aplique cinta aislante como puede verse en la junta entre el conducto interno de la secadora y el codo, y también en la junta entre el codo y el conducto lateral.



Utilice sólo un conducto rígido de metal de un diámetro de 4" dentro del gabinete de la secadora. Las juntas del conducto interno deben sujetarse con cinta; caso contrario, pueden separarse y provocar un riesgo de seguridad.

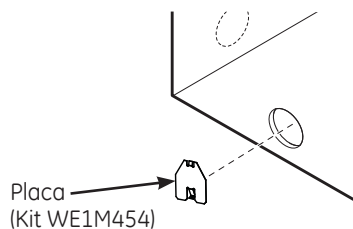
CÓMO AGREGAR UN CODO DE SALIDA A TRAVÉS DE LA PARTE INFERIOR DEL GABINETE

- Introduzca el codo a través de la abertura trasera y conéctelo al conducto interno de la secadora.
- Aplique cinta aislante como puede verse en la junta entre el conducto interno de la secadora y el codo, y también en la junta entre el codo y el conducto inferior.



Las juntas del conducto interno deben sujetarse con cinta; caso contrario, pueden separarse y provocar un riesgo de seguridad.

CÓMO AGREGAR LA PLACA DE CUBIERTA A LA PARTE TRASERA DEL GABINETE



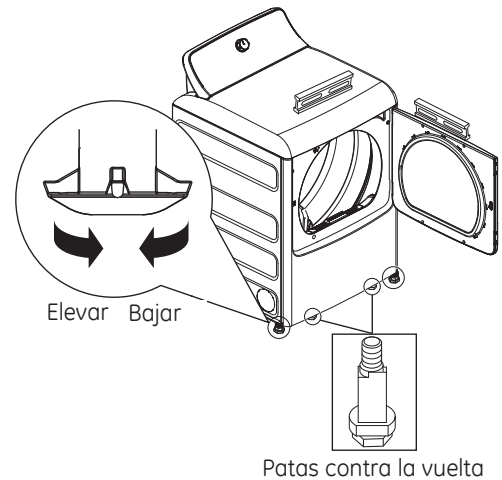
Conecte los codos y conductos de metal estándar para completar el sistema de salida. Cubra la abertura trasera con la placa (Kit WE1M454), disponible en su proveedor de servicios local. Coloque la secadora en su ubicación final.

NUNCA DEJE LA ABERTURA TRASERA SIN LA PLACA EN SU LUGAR. (Kit WE1M454.)

CONFIGURACIÓN FINAL

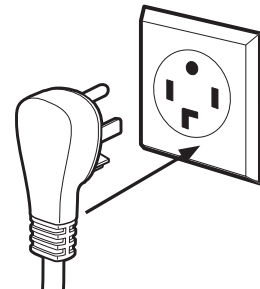
1 NIVELE LA SECADORA

Coloque la secadora en posición vertical cerca de la ubicación definitiva y ajuste las cuatro patas para garantizar que la secadora se encuentre nivelada de lado a lado y del frente a la parte trasera. Además ajuste las 2 patas antivuelco de las esquinas inferiores frontales, teniendo cuidado de que toquen el suelo para evitar la unidad vuelque. La instalación no está completa hasta que termine este proceso.



2 ENCHUFE LA SECADORA

Verifique que haya una conexión a tierra adecuada antes del uso.



3 INICIO DE LA SECADORA

Presione el botón **Power** (Encendido).

Power



NOTA: Si la secadora ha sido expuesta a temperaturas bajo cero por un período prolongado, deje que suba la temperatura antes de presionar **Power**. De otra manera, la pantalla no se encenderá.

Su secadora ya está lista para usar.

Instrucciones de instalación

INVERSIÓN DE LA PUERTA

Cómo cambiar el sentido de apertura de la puerta.

NOTAS IMPORTANTES:

- Lea todas las instrucciones antes de comenzar.
- Manipule las piezas con cuidado para evitar rayar la pintura.
- Coloque los tornillos cercanos a sus piezas correspondientes para evitar utilizarlos en los lugares incorrectos.
- Coloque las puertas en una superficie de trabajo que no produzca ralladuras.
- El tiempo normal necesario para invertir el sentido de la puerta es de 30 a 60 minutos.

IMPORTANTE:

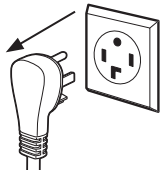
Una vez que comience, no mueva el gabinete hasta que haya completado el cambio de la puerta. Estas instrucciones indican cómo cambiar las bisagras del lado derecho al lado izquierdo. En caso que desee cambiarlas nuevamente al lado derecho, siga las mismas instrucciones e invierta todas las referencias de izquierda y derecha.

Herramientas que necesitará:

- Destornillado Phillips N° 2 Estándar
- Espátula con la punta cubierta con cinta
- Destornillador de punta plana pequeña

Antes de Comenzar

Desenchufe la secadora del tomacorriente.

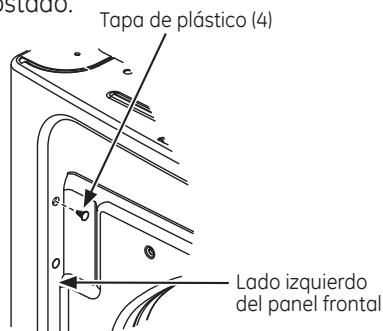


Elija las **INVERSIÓN DE LA PUERTA** instrucciones

A or **B** para su modelo.

A INVERSIÓN DE LA PUERTA - MODELOS DE PUERTA SÓLIDA

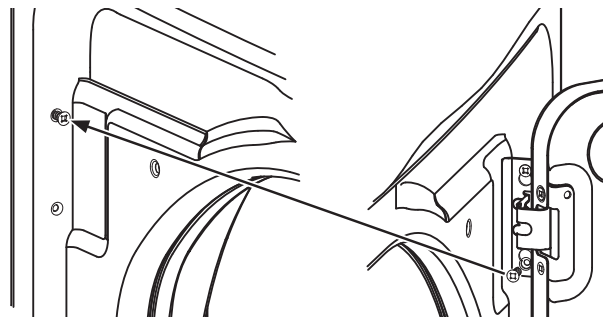
- 1 Abra la puerta aproximadamente 130 grados. Con una espátula, retire las 4 tapas de plástico ubicadas a lo largo del lado izquierdo del panel frontal y deje las mismas a un costado.



A INVERSIÓN DE LA PUERTA - MODELOS DE PUERTA SÓLIDA (cont.)

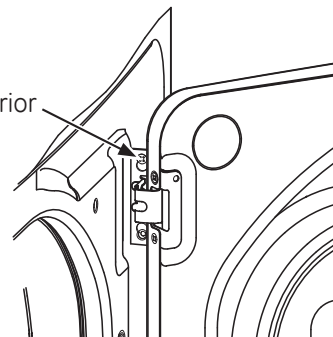
- 2 Retire el tornillo inferior de cada bisagra (lado derecho) e inserte parcialmente en los agujeros de las bisagras del lado superior izquierdo.

NOTA: Los 4 tornillos de la bisagra del panel frontal estarán ahora en los agujeros de la bisagra superior - 2 sobre la izquierda y 2 sobre la derecha.

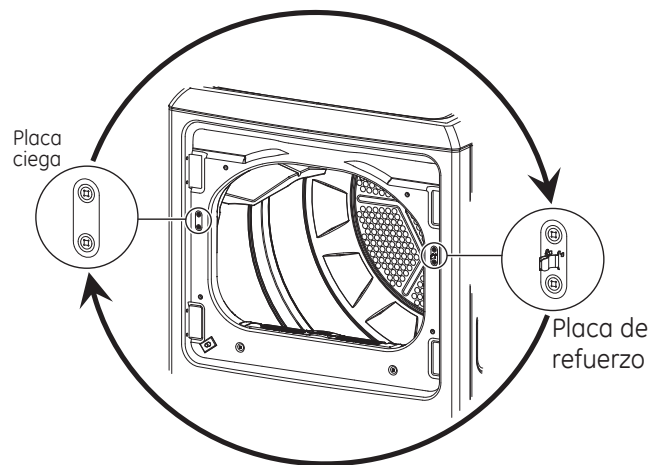


- 3 Afloje cada tornillo de la bisagra superior en el lado derecho. Retire la puerta y coloque la misma sobre una superficie plana protegida a fin de evitar cualquier daño.

Afloje cada tornillo de la bisagra superior en el lado derecho.



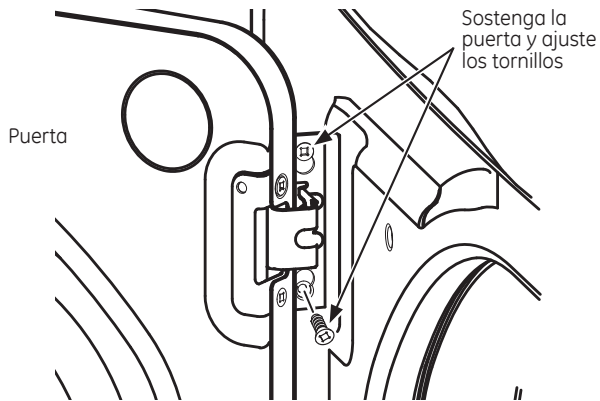
- 4 Retire la placa ciega y la placa de refuerzo e instale las mismas en posiciones opuestas.



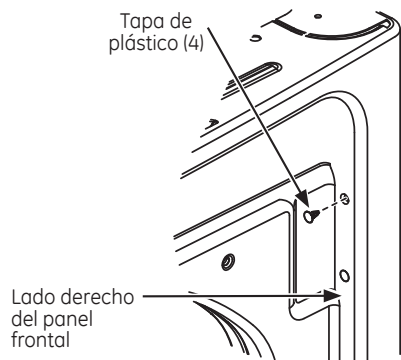
INVERSIÓN DE LA PUERTA (cont.)

A INVERSIÓN DE LA PUERTA - MODELOS DE PUERTA SÓLIDA (cont.)

- 5 Monte la puerta sobre los 2 tornillos superiores del lado izquierdo, instalados en el paso 2. Mueva los tornillos de la bisagra aflojados en el paso 3 hacia los agujeros inferiores del lado izquierdo y apriete firmemente los cuatro tornillos.



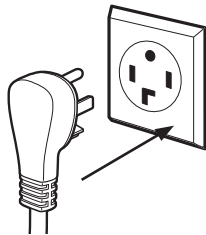
- 6 Instale las cuatro tapas de plástico retiradas en el paso 1 en los 4 agujeros del panel frontal derecho.



NOTA: Para regresar la puerta a la configuración original, siga estas instrucciones, cambiando entre la "izquierda" y la "derecha".

Al finalizar

Vuelva a enchufar la secadora en la salida eléctrica.

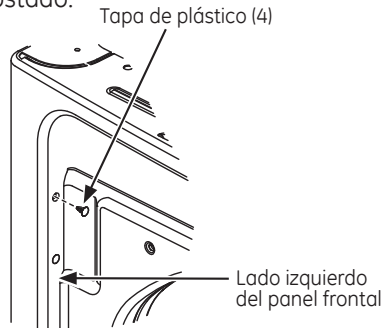


Instrucciones de instalación

INVERSIÓN DE LA PUERTA

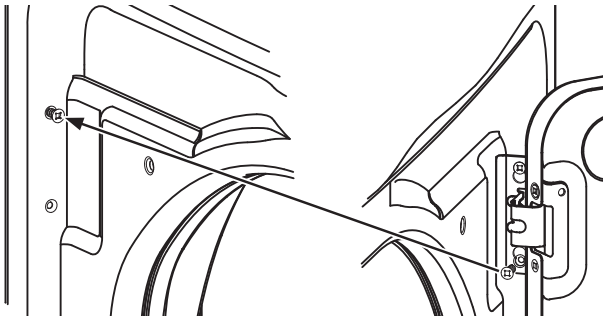
B INVERSIÓN DE LA PUERTA - MODELOS CON PANEL DE CRISTAL

- 1 Abra la puerta aproximadamente 130 grados. Con una espátula, retire las 4 tapas de plástico ubicadas a lo largo del lado izquierdo del panel frontal y deje las mismas a un costado.



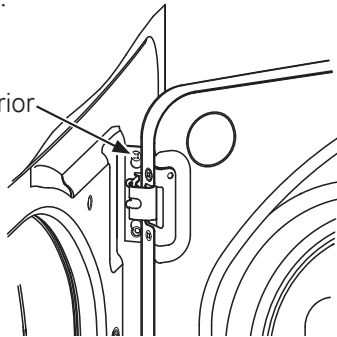
- 2 Retire el tornillo inferior de cada bisagra (lado derecho) e inserte parcialmente en los agujeros de las bisagras del lado superior izquierdo.

NOTA: Los 4 tornillos de la bisagra del panel frontal estarán ahora en los agujeros de la bisagra superior - 2 sobre la izquierda y 2 sobre la derecha.



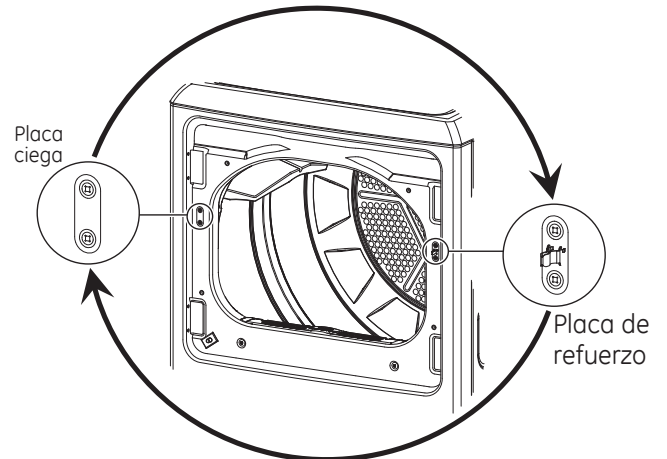
- 3 Afloje cada tornillo de la bisagra superior en el lado derecho. Retire la puerta y coloque la misma sobre una superficie plana protegida a fin de evitar cualquier daño.

Afloje cada tornillo de la bisagra superior en el lado derecho.

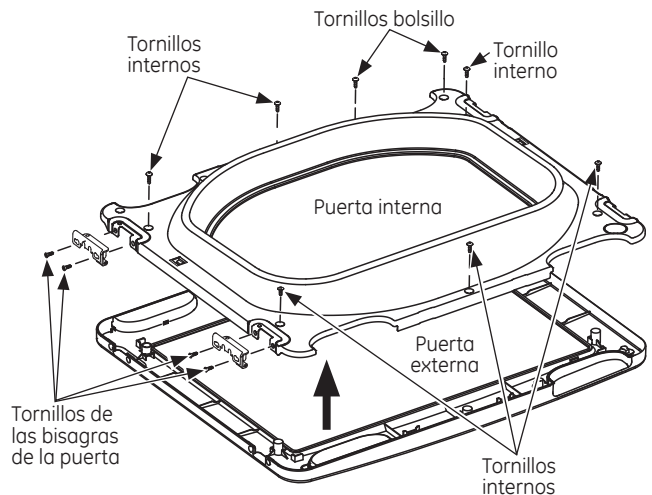


B INVERSIÓN DE LA PUERTA - MODELOS CON PANEL DE CRISTAL (cont.)

- 4 Retire la placa ciega y la placa de refuerzo e instale las mismas en posiciones opuestas.



- 5 Quite los 4 tornillos de la bisagra de la puerta, los 6 tornillos del interior y los 2 tornillos bolsillo. Levante la puerta interior con un destornillador de punta plana.

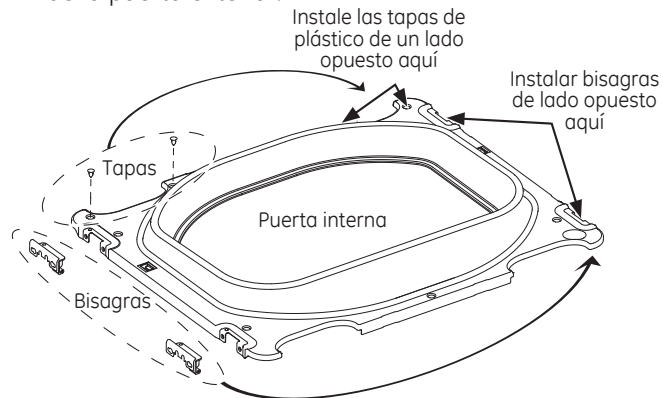


Instrucciones de instalación

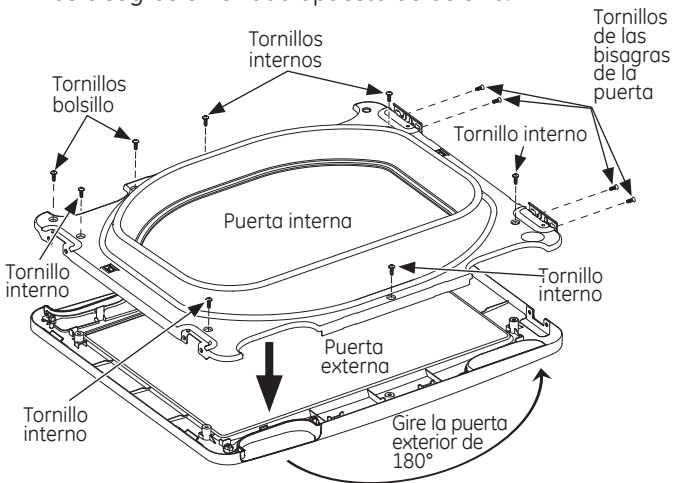
INVERSIÓN DE LA PUERTA (cont.)

B INVERSIÓN DE LA PUERTA - MODELOS CON PANEL DE CRISTAL (cont.)

- 6 Quite y cambie las 2 tapas de plástico y la bisagras de la puerta exterior.

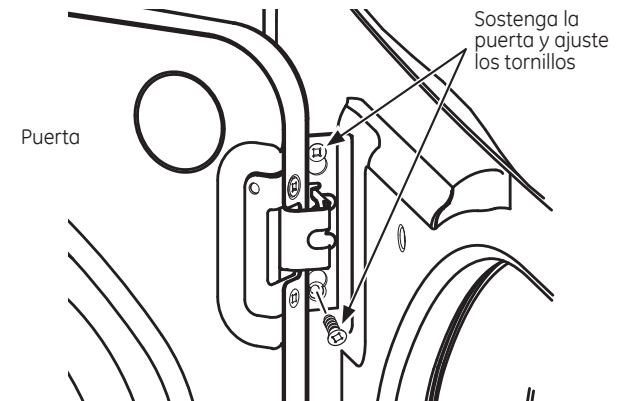


- 7 Gire la puerta exterior de 180°, instale la puerta trasera interior en el exterior de la puerta con los tornillos que retiró en el paso 5. Asegúrese de montar las bisagras en el lado opuesto de bolsillo.

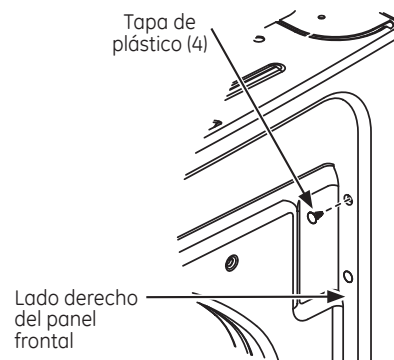


B INVERSIÓN DE LA PUERTA - MODELOS CON PANEL DE CRISTAL (cont.)

- 8 Monte la puerta sobre los 2 tornillos superiores del lado izquierdo, instalados en el paso 2. Mueva los tornillos de la bisagra aflojados en el paso 3 hacia los agujeros inferiores del lado izquierdo y apriete firmemente los cuatro tornillos.



- 9 Instale las cuatro tapas de plástico retiradas en el paso 1 en los 4 agujeros del panel frontal derecho.



NOTA: Para regresar la puerta a la configuración original, siga estas instrucciones, cambiando entre la "izquierda" y la "derecha".

Al finalizar

Vuelva a enchufar la secadora en la salida eléctrica.

