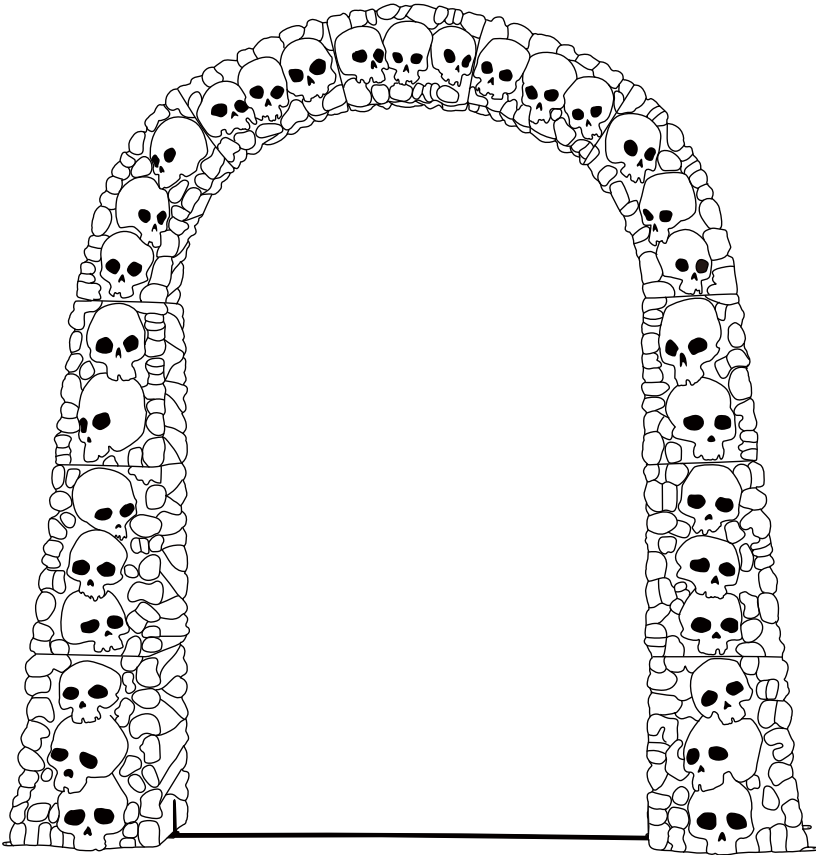


INSTRUCTION MANUAL

ASSEMBLY AND OPERATING INSTRUCTIONS FOR THE 7.5 FT GRAVE & BONES CATACOMB ARCHWAY



READ CAREFULLY & RETAIN FOR FUTURE REFERENCE!



Questions, problems, missing parts? Before returning the product to your local Home Depot store, please call our Home Accents Holiday customer care department at 1-855-HDHoliday (1-855-434-6543), Monday-Friday, 8am-7pm EST, and Saturday, 9am-6pm, EST or email the manufacturer at info@pan-asian.com.hk.



WARNING: This is not a toy and is for decorative purposes only. For Indoor and Outdoor Use. This item is not intended for use by children under the age of 14. Do not place product near an open fire or heat source such as a radiator, stove, etc.

**KEEP OFF! DO NOT SIT OR CLIMB ON THE PRODUCT.
THIS IS NOT A TOY. THIS ITEM IS FOR DECORATION ONLY.**

SAFETY INSTRUCTIONS:

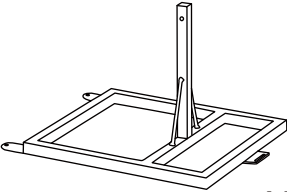
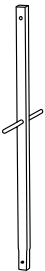

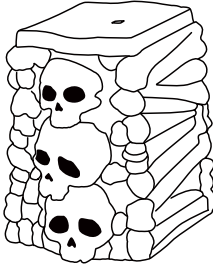
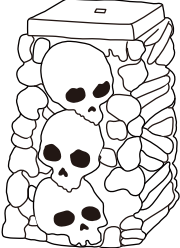
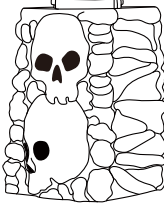
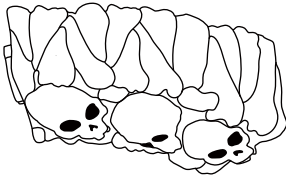
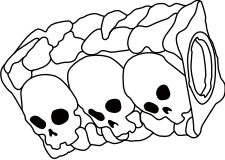

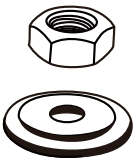


1. All cautions in these operating instructions should be followed completely.
2. Do not use near water; such as bathtub, laundry tub, kitchen sink, wet basement or swimming pool, etc.
3. Do not display figure near any heat source such as radiators, stoves, fireplaces, etc.
4. Display should be serviced by a qualified service person only. Do not attempt to service this unit beyond what is described in the operating instructions.
5. Take extra care when displaying any figure that may contain small parts around small children.
6. Use of this decoration should always be supervised by an adult.

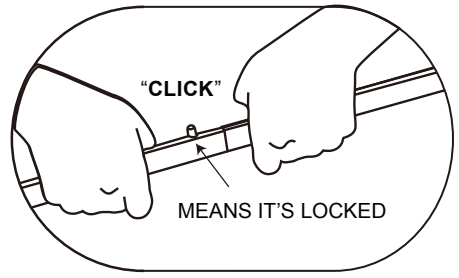
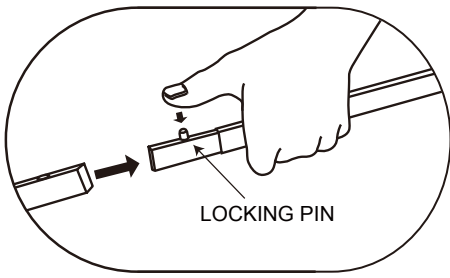
PREPARATION: Before beginning assembly the product, make sure that all parts are present. Compare parts with package contents list and diagram above. If any part is missing or damaged, do not attempt to assemble, install or operate the product. Contact customer service for replacement parts.

03302023_2008485

Made in China

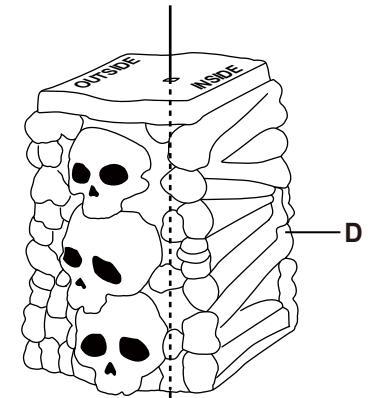
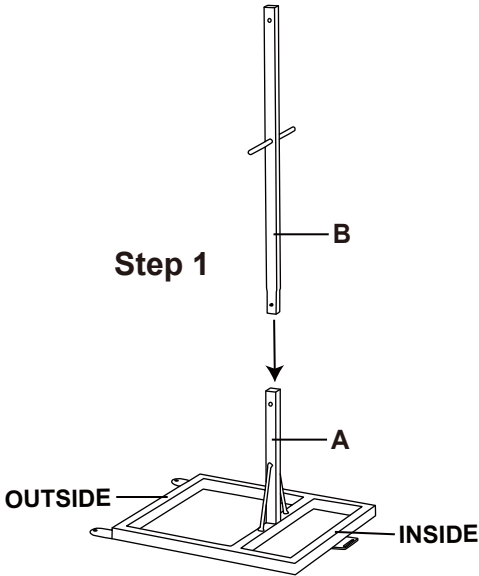
PARTS LIST:

<p>A. Metal base</p>  <p>X 2</p>	<p>B. Middle connecting support</p>  <p>X 4</p>	<p>C. Top connecting support</p>  <p>X 2</p>
<p>D. Lower bottom base</p>  <p>X 2</p>	<p>E. Lower middle base</p>  <p>X 2</p>	<p>F. Lower top base</p>  <p>X 2</p>
<p>G. Upper bottom arch</p>  <p>X 2</p>	<p>H. Upper middle arch</p>  <p>X 2</p>	<p>I. Upper top arch</p>  <p>X 1</p>
<p>J. Screw & nut</p>  <p>X 2</p>	<p>K. Metal bar for base</p>  <p>X 1</p>	<p>L. Ground stakes</p>  <p>X 4</p>

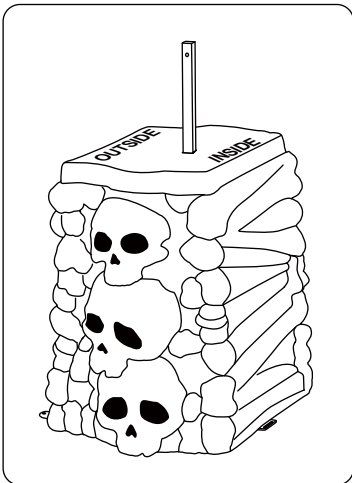
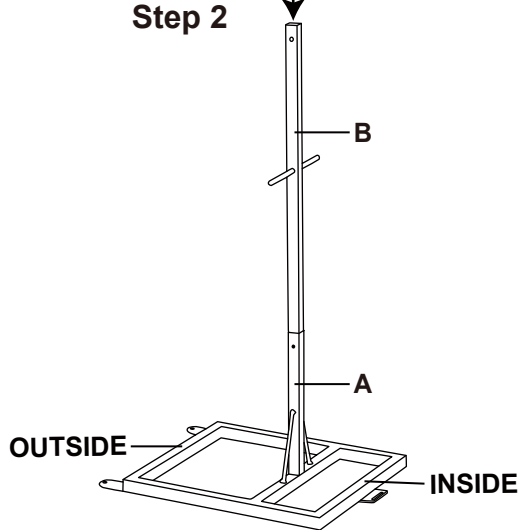


ASSEMBLY:

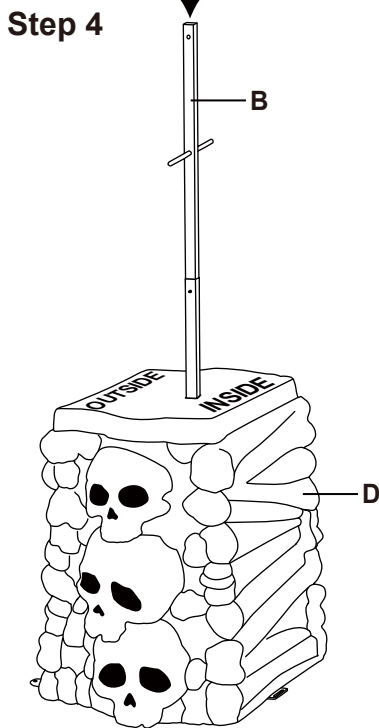
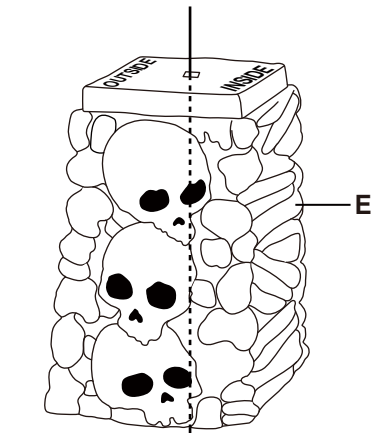
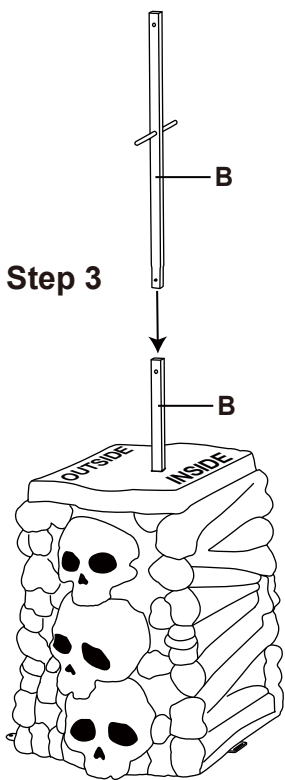
(Assembly of this product is best with two or more people)



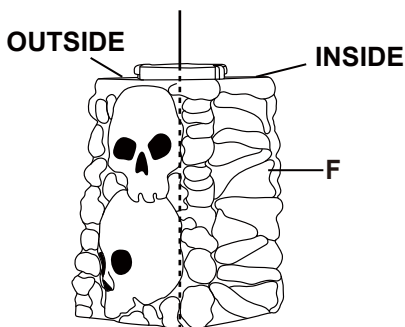
Step 2



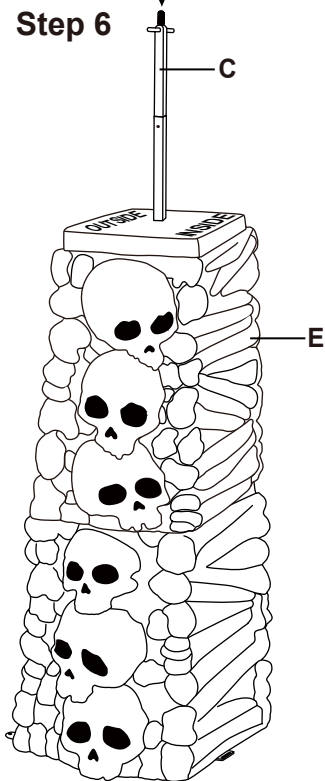
Align the OUTSIDE and INSIDE of the Parts A and Parts D.



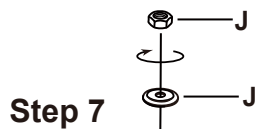
Align the OUTSIDE and INSIDE of the Parts D and Parts E.



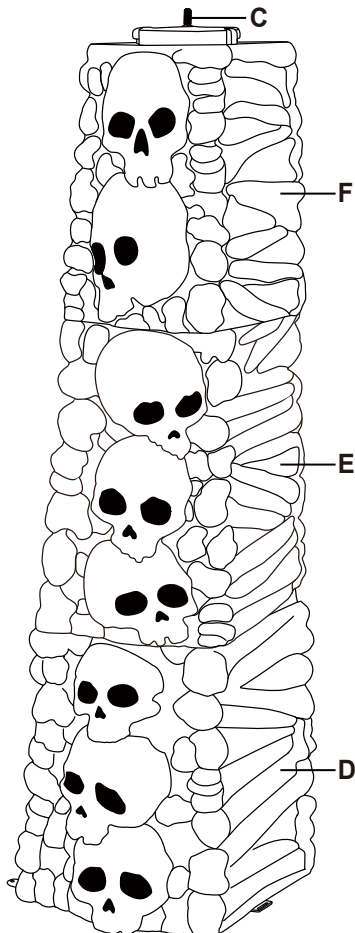
Step 6



Align the OUTSIDE and INSIDE of the Parts E and Parts F.

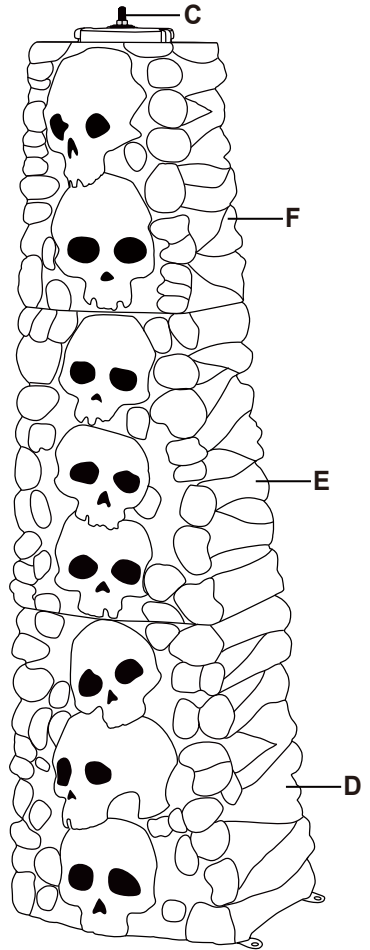
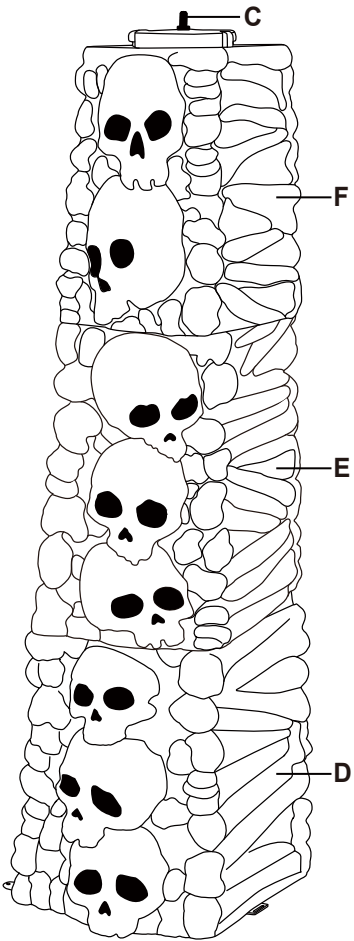


Step 7



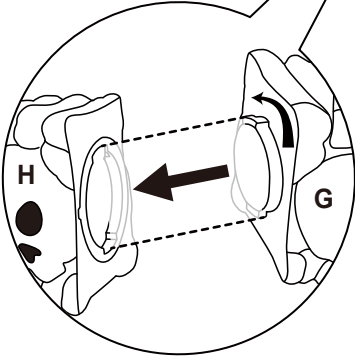
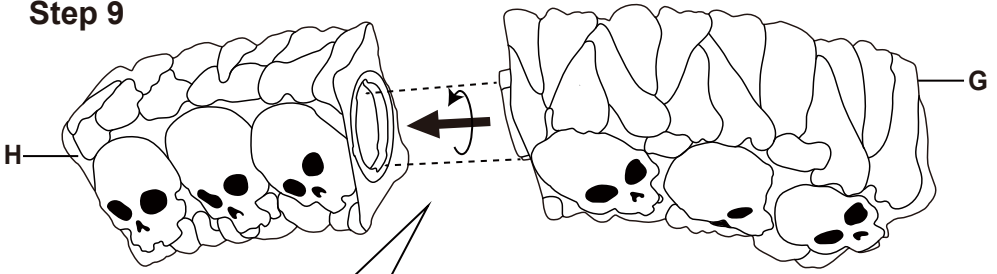
Tighten the screw & nut (j) onto the top end of the top connecting support for lower top base (f) to secure top connecting support (c) into place.

Step 8

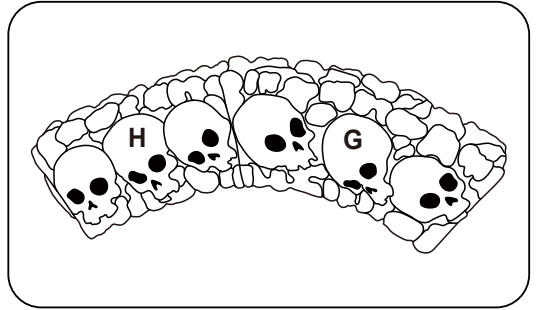


Repeat the step 1 to step 7 process on the other stand base.

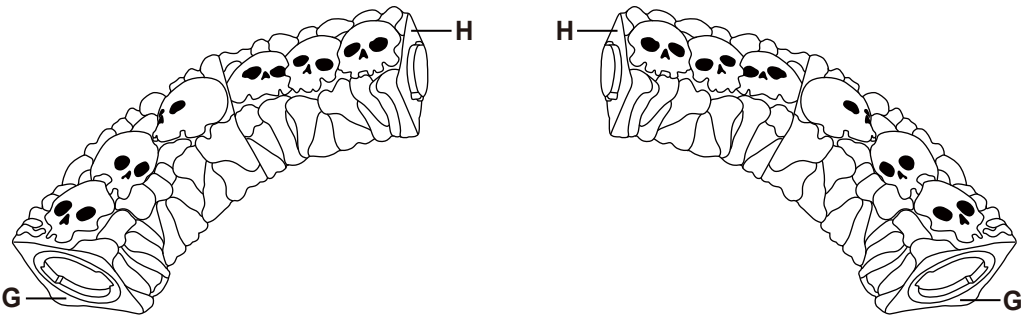
Step 9



Line up the tabs, Following arrows,
Turn Parts G clockwise to lock in place.

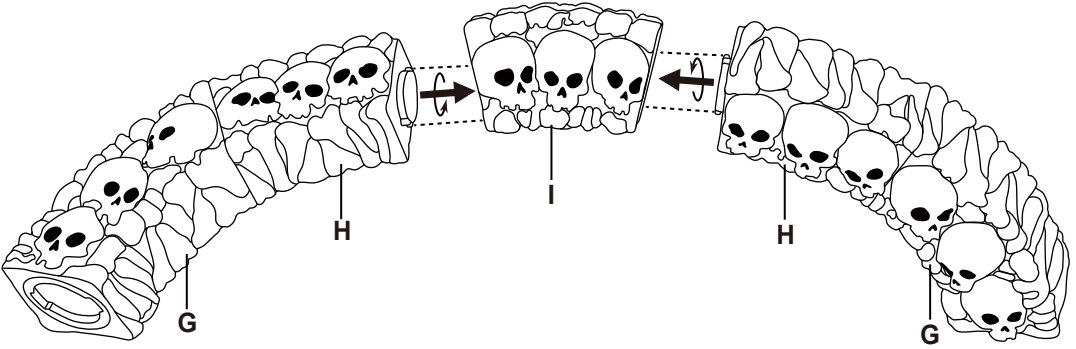


Step 10

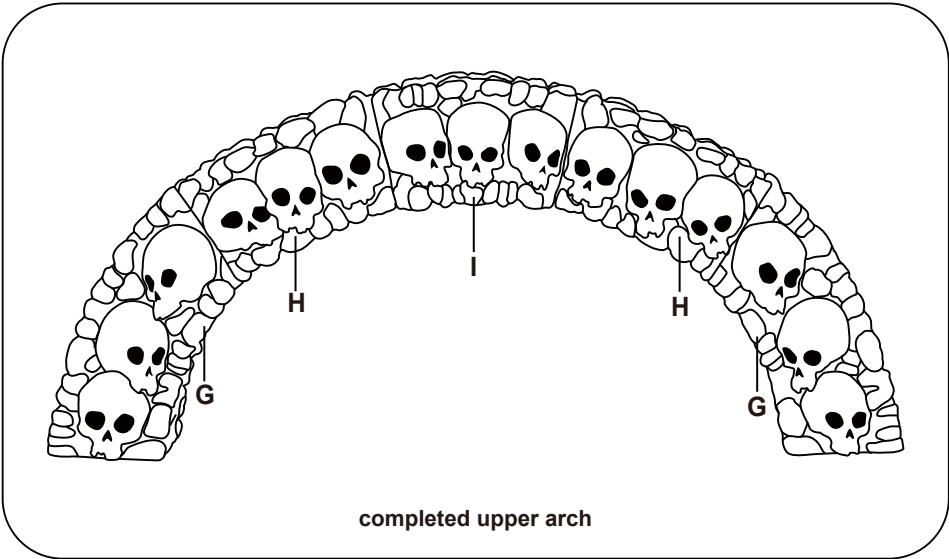


Repeat the step 9 process on the other side upper arch.

Step 11

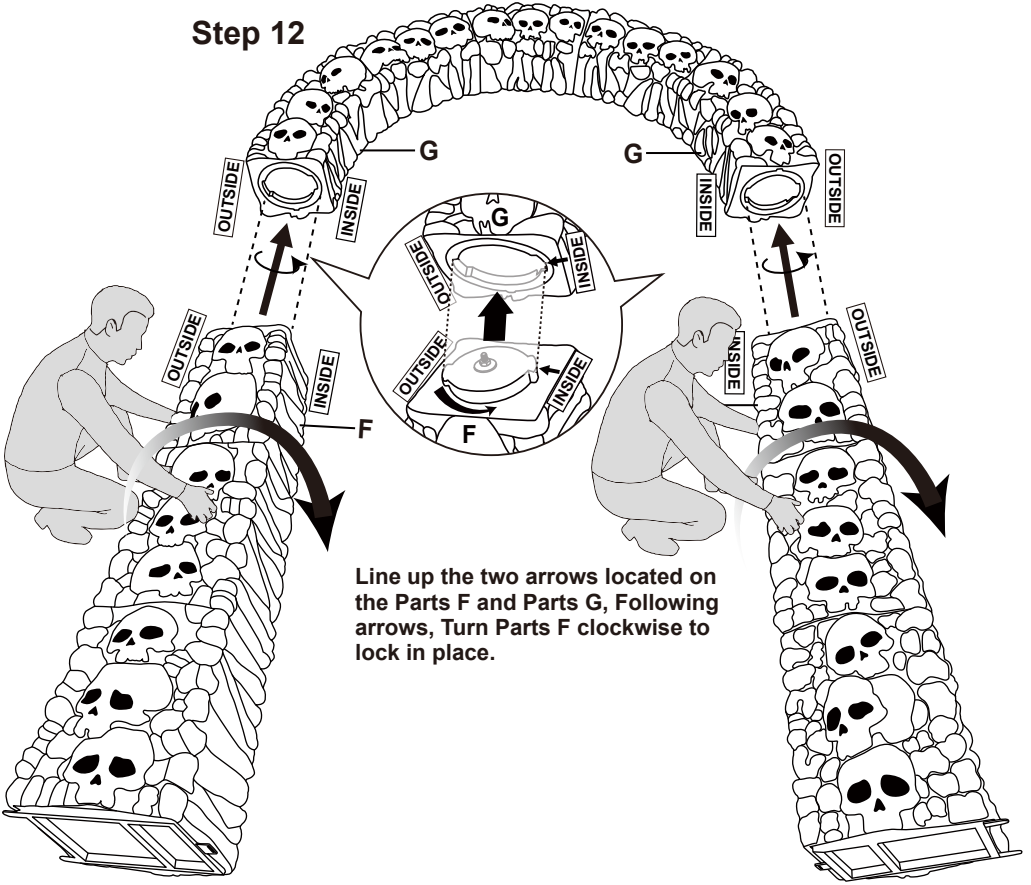


Using the upper top arch (Parts I) to connect the assembled bottom & middle arch (Parts G & H), Following arrow, Turn right side middle arch counterclockwise, Turn left side middle arch clockwise to lock in place.

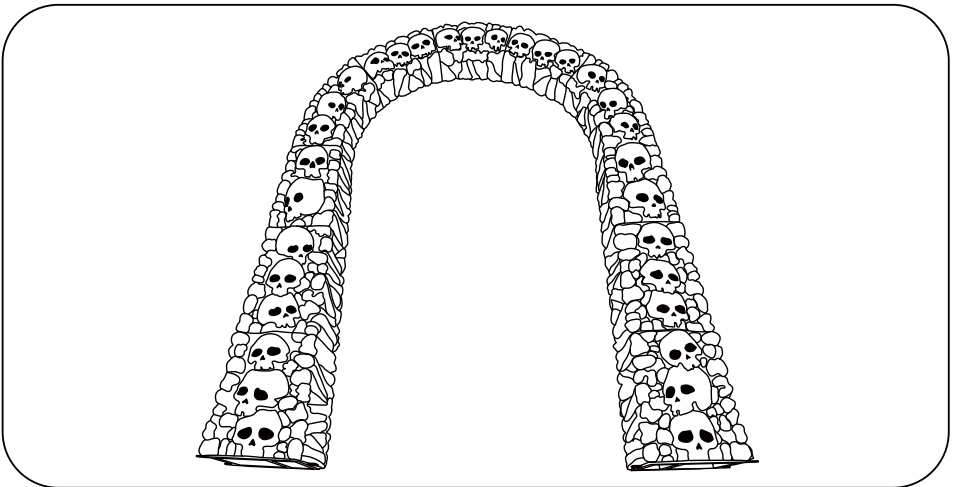


Note: Carefully lay down the assembled parts.

Step 12

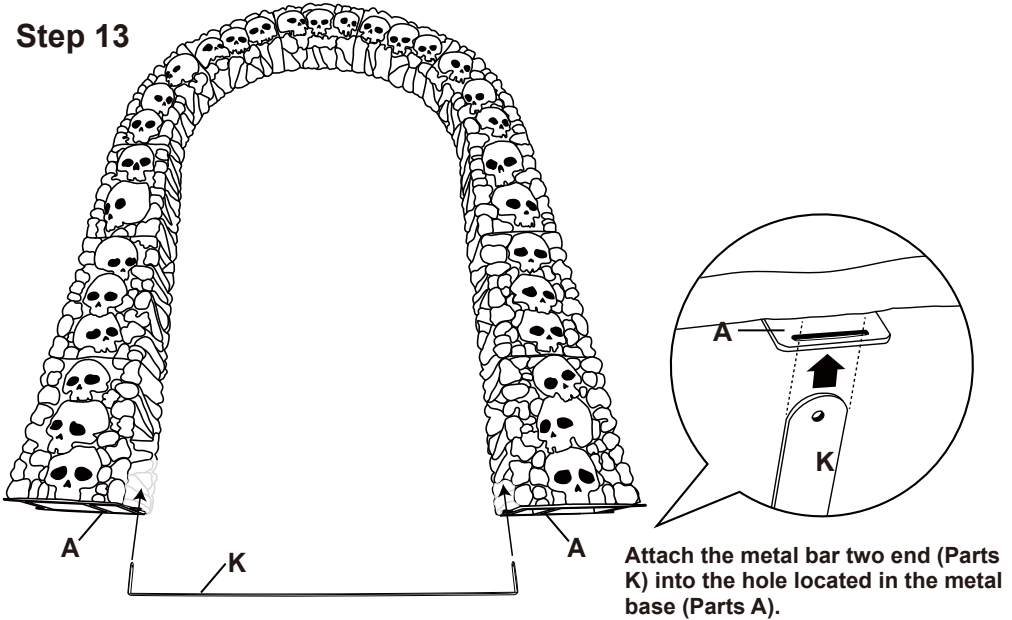


Line up the two arrows located on the Parts F and Parts G, Following arrows, Turn Parts F clockwise to lock in place.

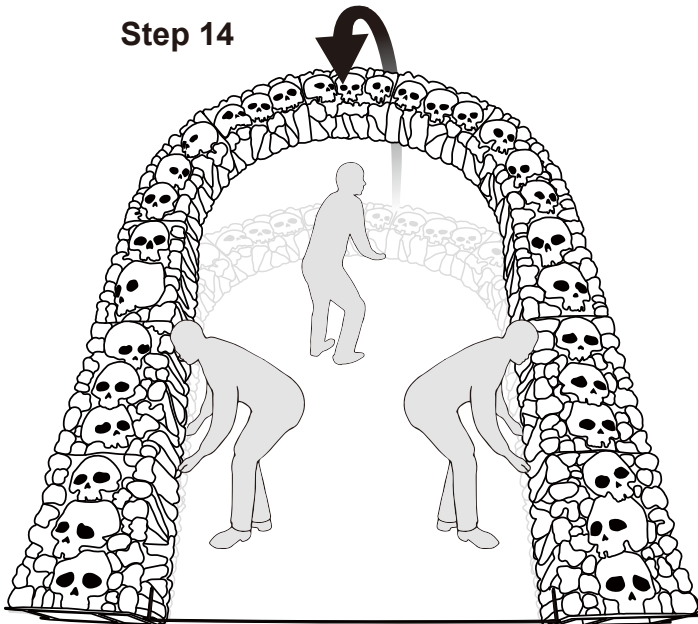


ASSEMBLY: FOR INDOOR USE DISPLAY

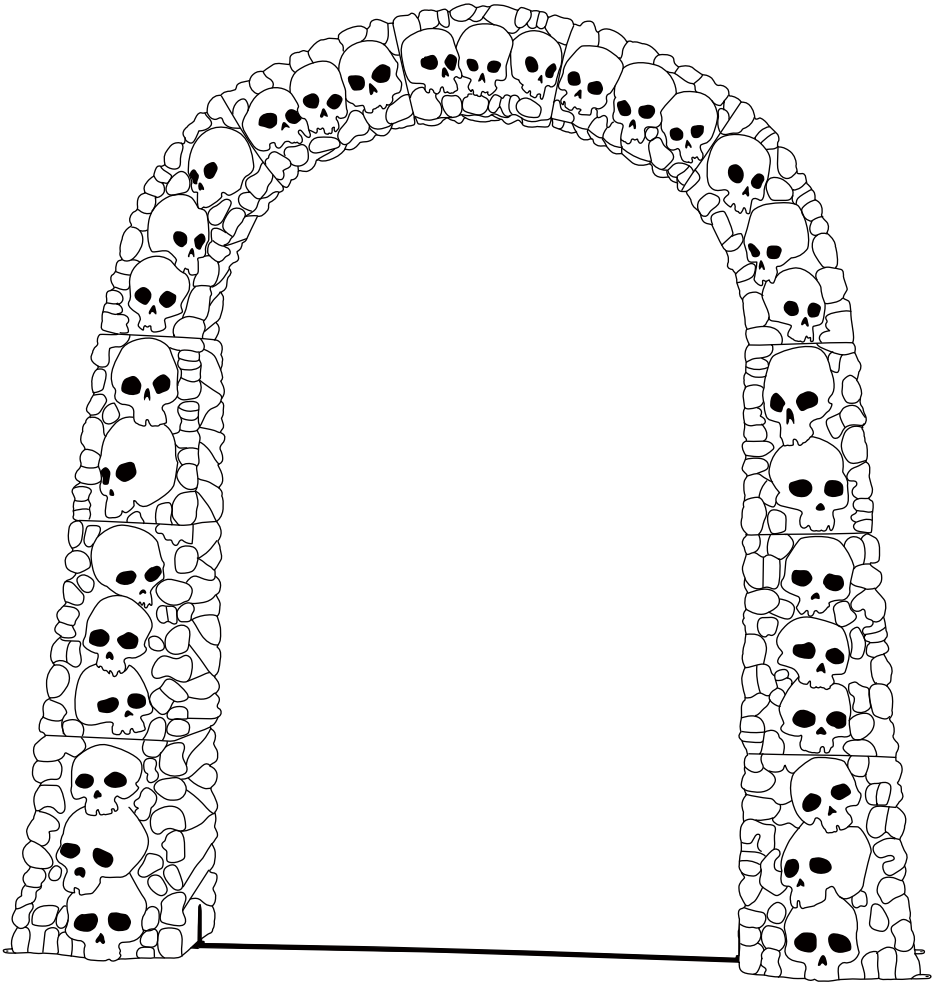
Step 13



Step 14



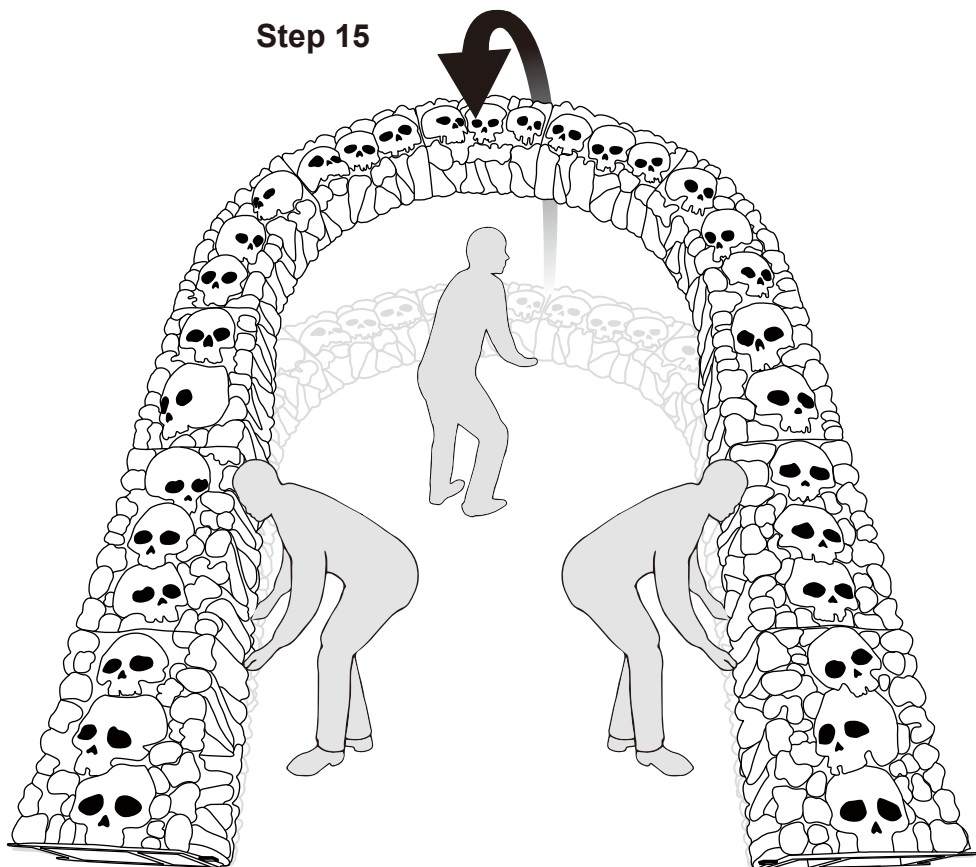
Carefully lift up the assembled Archway, it is recommended that three people perform this step, with two people holding the two side stand bases and one person supporting the arch.



Fully Assembled Product for Indoor

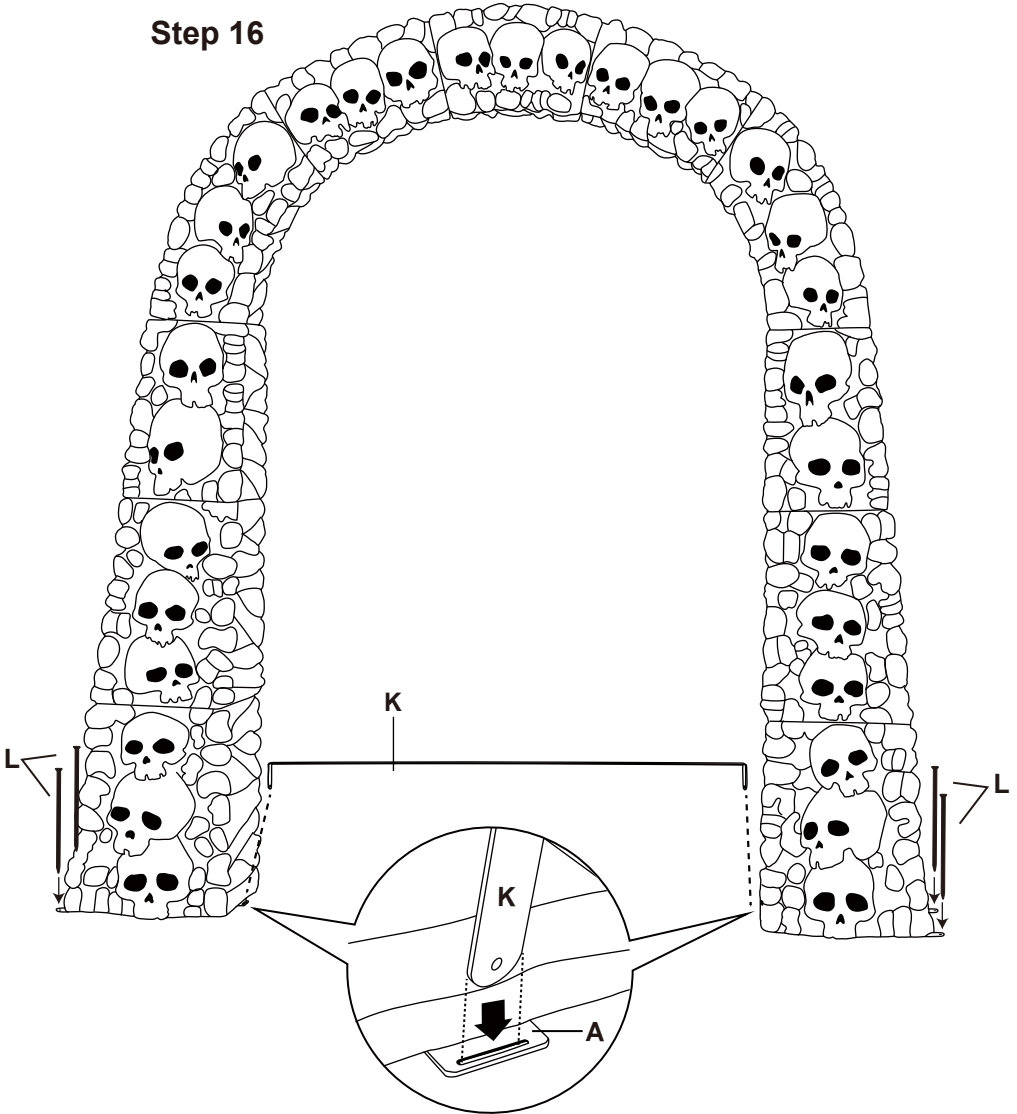
ASSEMBLY: FOR OUTDOOR USE DISPLAY

Step 15

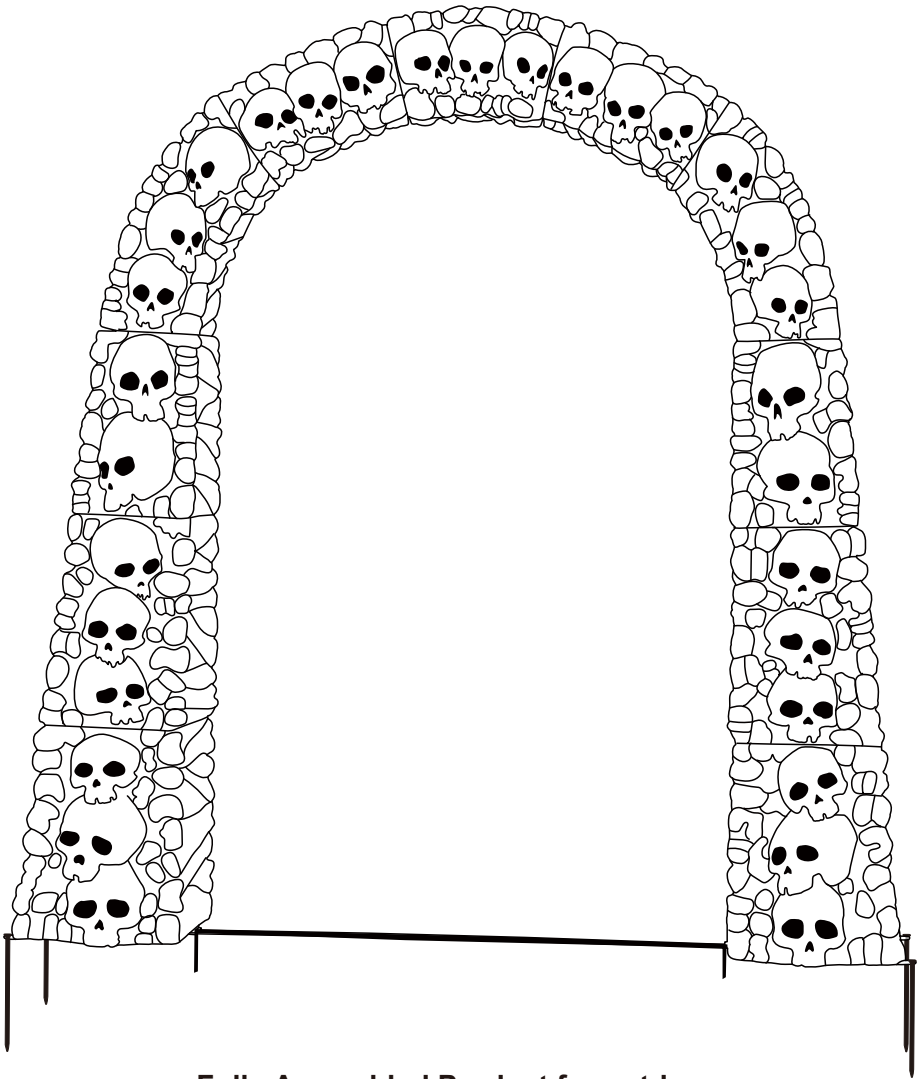


Carefully lift up the assembled Archway, it is recommended that three people perform this step, with two people holding the two side stand bases and one person supporting the arch.

Step 16



Insert 4 x ground stakes (L) and metal bat two end (K). through the corresponding holes located in the Metal base (A) and push or gently hammer (not included) to secure into the ground for outdoor display stability as shown.



Fully Assembled Product for outdoor

DISTRIBUTED BY:
HOME DEPOT
2455 PACES FERRY ROAD
ATLANTA, GA 30339