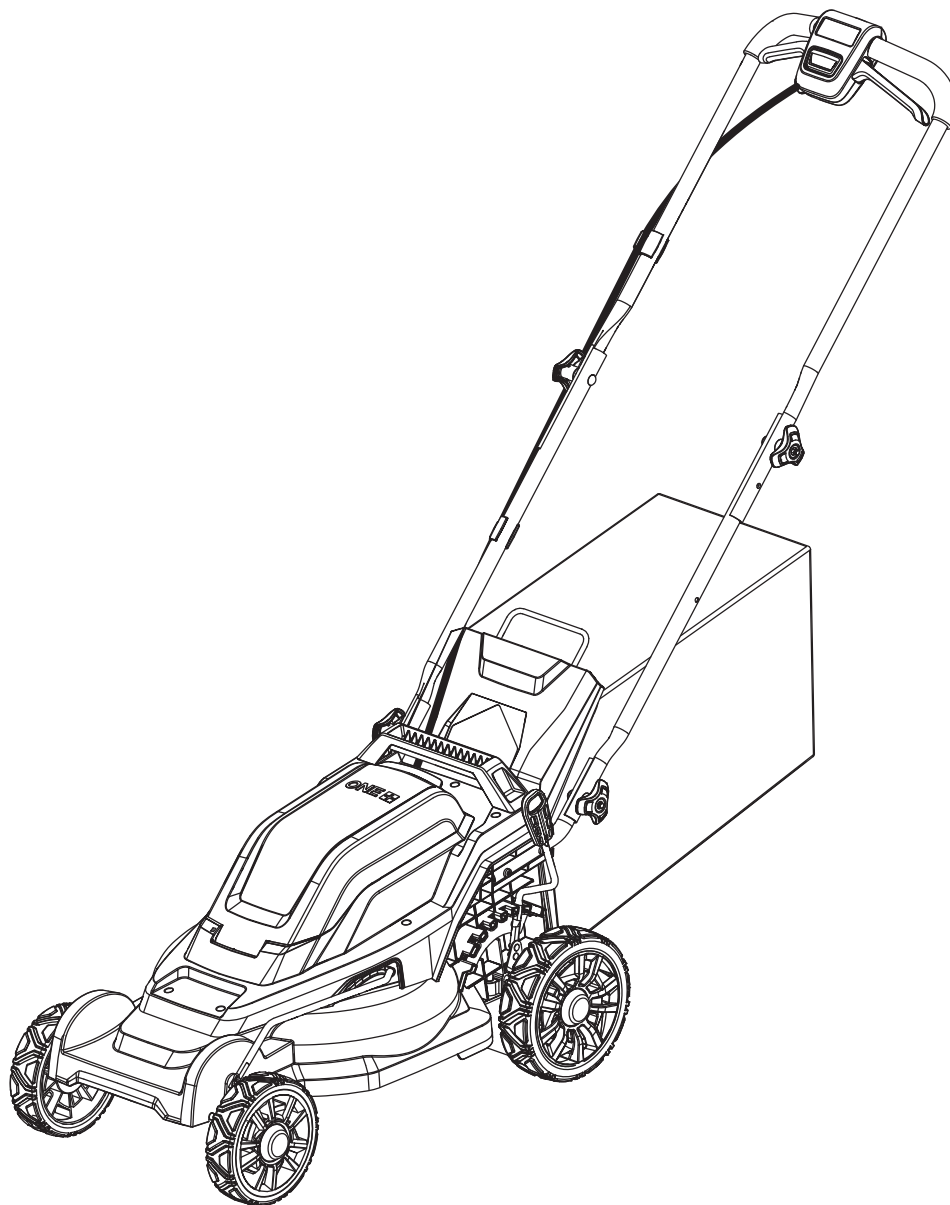


REPAIR SHEET

BRAND RYOBI		DESCRIPTION 18 Volt 13 in. Lawn Mower
MODEL NO. P1108VNM	MFG. NO. 108625001	



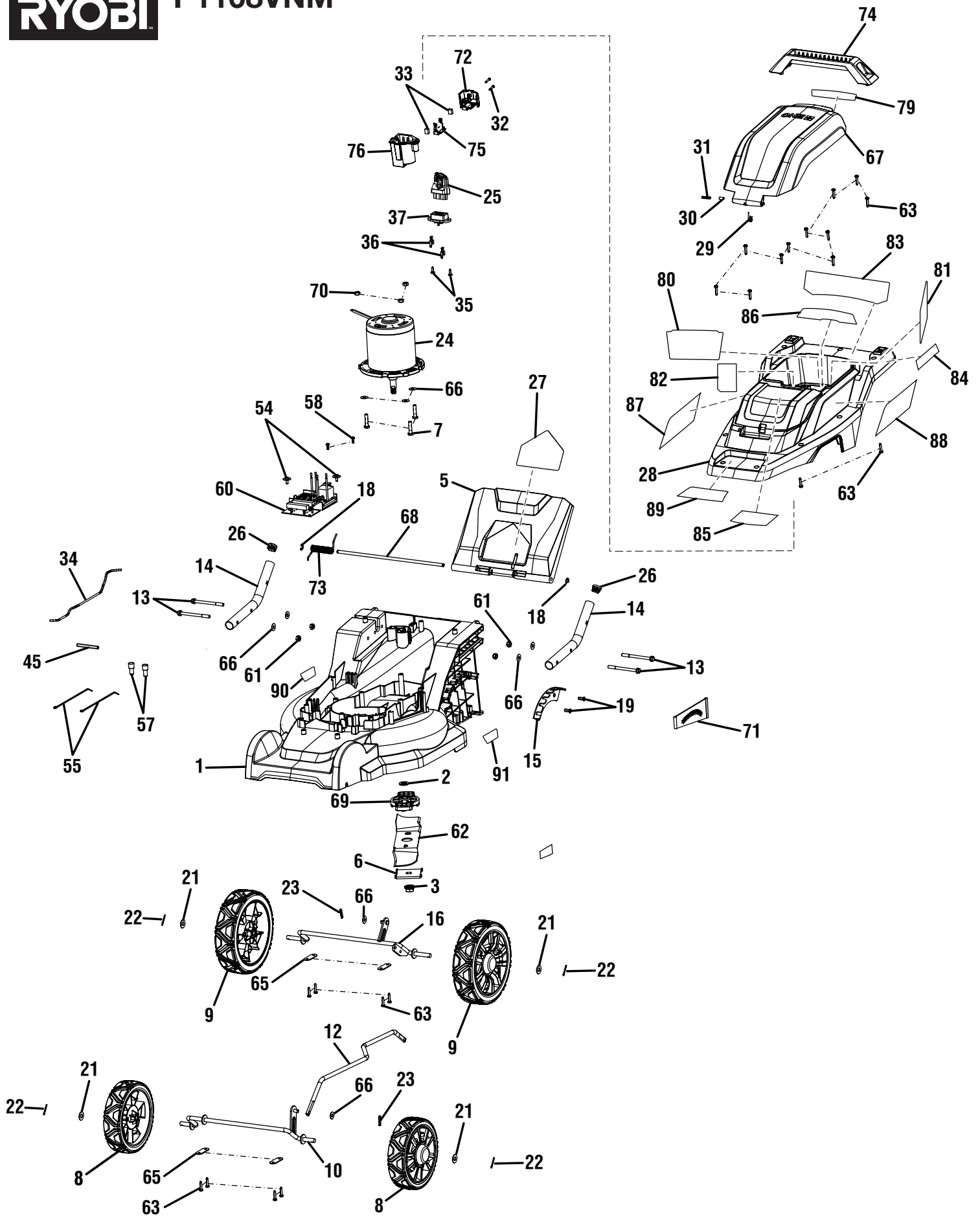
TECHTRONIC INDUSTRIES POWER EQUIPMENT

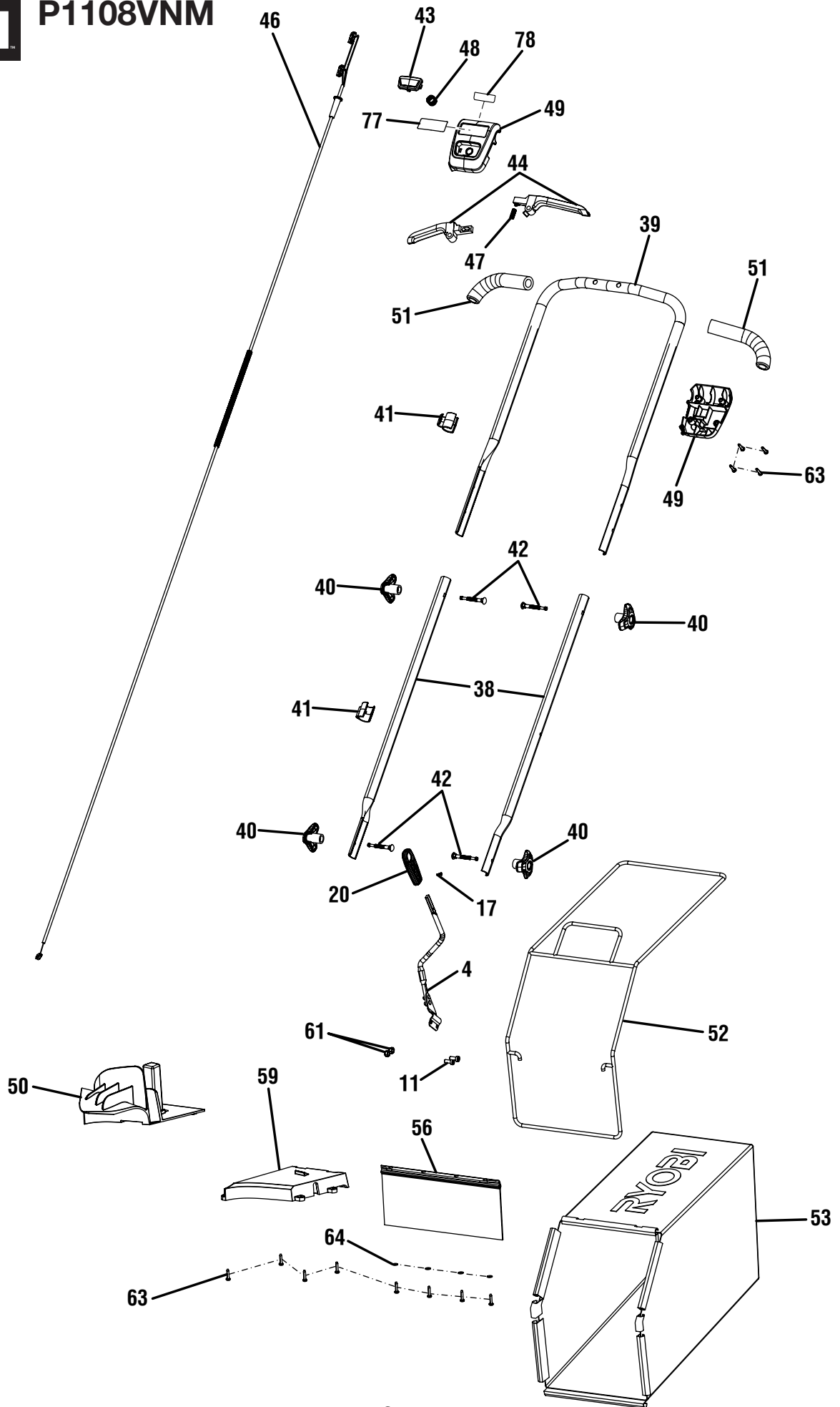
P.O. Box 1288, Anderson, SC 29622 ■ 1-800-525-2579 ■ www.ryobitools.com

1-5-21 (Rev:02)

The model number and manufacturing location will be found on a label attached to the product. Always mention this information in all communications regarding this product and when ordering parts.

RYOBI P1108VNM





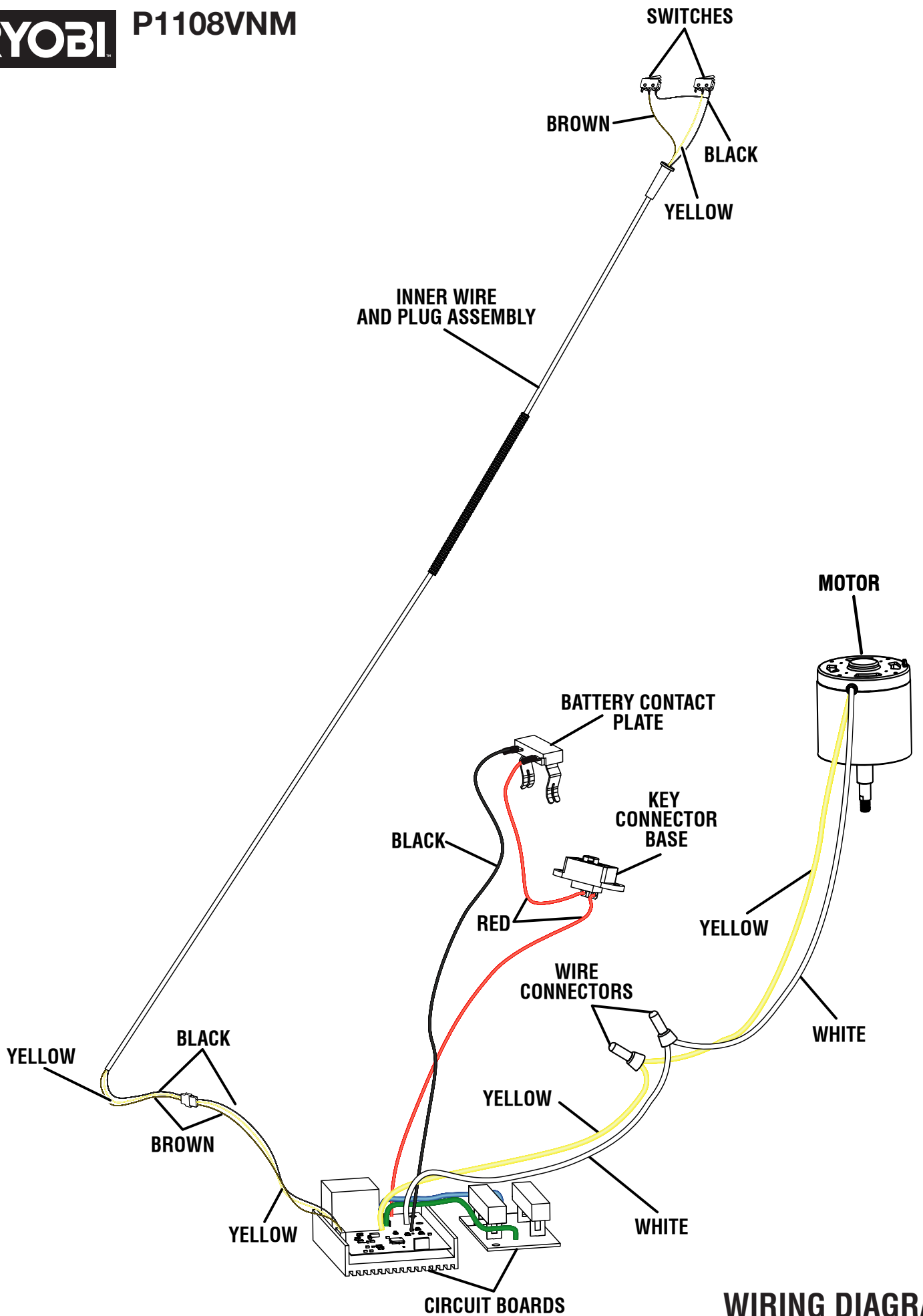


P1108VNM

PARTS LIST

KEY NO.	PART NO.	DESCRIPTION	QTY.
1	205495001	Deck Assembly (Inc. Key Nos. 90-91)	1
2	636503001	Flat Washer	1
3	679075001	Hex Nut (M10)	1
4	698853001	Height Adjustment Rod	1
5	317263001	Rear Door (Inc. Key No. 27)	1
6	636441001	Blade Retainer	1
7	660722002	Screw (M6 x 26 mm, Hex Hd.)	3
8	316712001	6 in. Wheel Assembly	2
9	316713001	7 in. Wheel Assembly	2
10	698849001	Front Wheel Axle	1
11	661431003	Screw (M6 x 14.5 mm, Hex Recess Hd.)	2
12	698851001	Connector Rod	1
13	660727004	Screw (M6 x 70 mm, Hex Hd.)	4
14	698846001	Tube on Deck	2
15	659390001	Height Adjustment Plate	1
16	698850001	Rear Wheel Axle	1
17	664021001	Screw (M3 x 9 mm)	1
18	650027001	E-Ring	2
19	660618007	Screw (#10-14 x .543 in., T25 Torx Hd.)	2
20	542077003	Height Adjustment Knob	1
21	639013001	Flat Washer	4
22	678279004	Cotter Pin	4
23	674178001	Hitch Pin	2
24	742704001	Motor	1
25	311280001	Key Assembly	1
26	542498001	Tube Plug	2
27	941641001	CPSC No Hands Label	1
28	317262001	Top Cover (Inc. Key Nos. 80-89)	1
29	698356001	Battery Door Torsion Spring	1
30	621628001	Battery Door Axle	1
31	679073001	Battery Door Press Spring	1
32	660230013	Screw (M3 x 16 mm, T10 Torx Hd.)	2
33	563768001	Battery Clip Cushion	2
34	291482001	Circuit Board to Terminal Wire (Red)	1
35	660608001	Screw (M4 x 12 mm, T20 Torx Hd.)	2
36	639178001	Key Assembly Female Terminal	2
37	526912001	Key Connector Base	1
38	698848001	Lower Tube	2
39	698847001	Upper Handle Tube	1
40	541821002	Wing Nut with Insert (M6)	4
41	541431001	Cable Clip	2
42	662847001	Shoulder Screw (M6 x 50 mm)	4
43	541873001	Safety Button	1
44	317265001	Trigger Assembly	1
45	700004001	Heat Shrinkable Tube	1
46	292236001	Inner Wire and Plug Assembly	1
47	694991001	Trigger Spring	1

KEY NO.	PART NO.	DESCRIPTION	QTY.
48	699177001	Spring	1
49	317264001	Switch Box (Inc. Key Nos. 77-78)	1
50	541526001	Mulching Plug	1
51	565890001	Foam Tube	2
52	698852001	Grass Bag Frame	1
53	903893001	Grass Bag	1
54	662199001	Screw (M4 x 10 mm, T15 Torx)	2
55	790003001	Cable Tie	2
56	535385001	Trailing Sheet	1
57	870290001	Wire Connector	2
58	661189002	Screw M4 x 10 mm, T20 Torx Pan Hd.)	2
59	541525001	Discharge Baffle	1
60	281161001	Circuit Board	1
61	678460002	Lock Nut (M6)	6
62	682488001	13 in. Blade	1
63	661189003	Screw (M4 x 18 mm, T20 Torx Pan Hd.)	33
64	636062001	Flat Washer (OD10 x ID4.5 x 1t)	4
65	639116003	Axle Press Plate	4
66	638557001	Washer (OD15 x ID6.2 x 0.8t)	9
67	317266001	Battery Cover (Inc. Key No. 79)	1
68	622755001	Rear Door Shaft	1
69	528615002	Blade Holder	1
70	680196006	Hex Nut (M6)	3
71	565770001	Height Adjustment Plate	1
72	526979001	Battery Holder	1
73	698961001	Rear Door Torque Spring	1
74	541540001	Handle	1
75	300001067	Contact Plate Holder Assembly	1
76	526978001	Battery Holder	1
77	940705492	Logo Label	1
78	940851634	Instruction/Logo Label	1
79	941016118	Icon Label	1
80	941016114	Danger Label (FR)	1
81	941016115	Danger Label (SP)	1
82	941588756	Data Label	1
83	941016117	Danger Label (ENG) w/Warnings	1
84	940851635	Cut Height Label	1
85	940851636	Start Key Warning Label	1
86	941016119	Wet Conditions Label	1
87	940851637	Side Label (Right)	1
88	940851638	Side Label (Left)	1
89	940851639	RYOBI Logo Label (Front)	1
90	940779341	13 in. Callout Label (Right)	1
91	940779342	13 in. Callout Label (Left)	1
	Not Shown:		
	998000330	Operator's Manual	



WIRING DIAGRAM