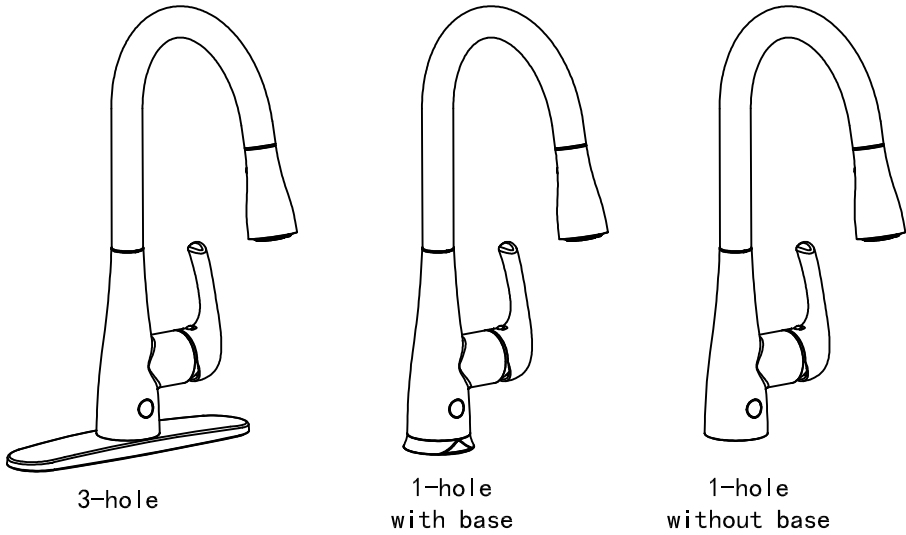


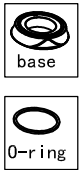
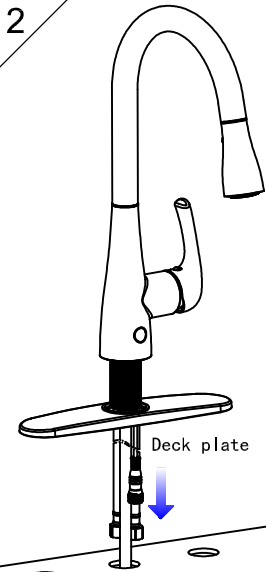
1 Kitchen sensor faucet user manual



3-hole

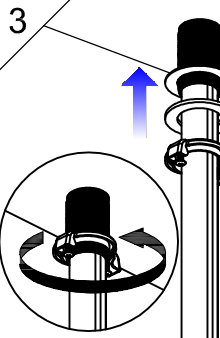
1-hole  
with base

1-hole  
without base

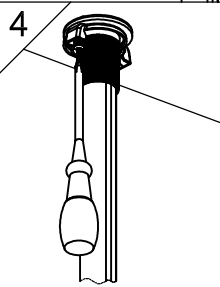


For 1-hole sink, insert the O-ring (or base) over the cable, hoses and the shank into (or to) the faucet bottom, and then mount the faucet on the sink.

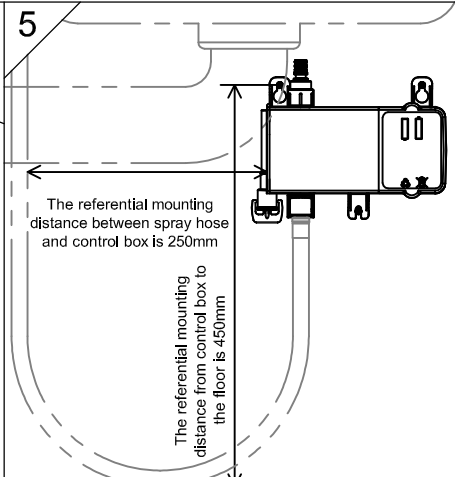
For 3-hole sink, insert deck plate over the cable and hoses in the mounting shank, aligning the grooves in the deck plate with the arches on the faucet bottom, and then mount the faucet on the sink.



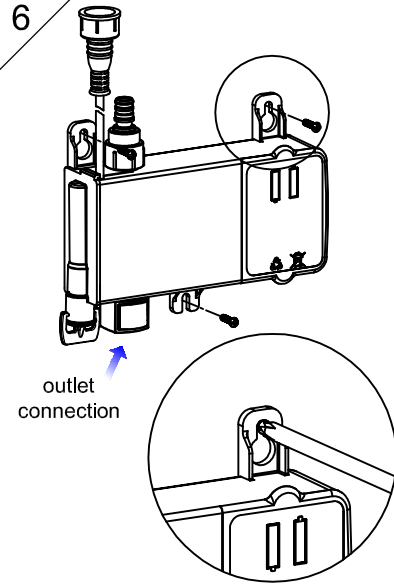
Slide the rubber gasket, the flange gasket and the mounting nut in sequence over the hoses and the data cable onto the shank and hand tighten them firmly.



Use a cross screwdriver to thread the 2 screws for further security.

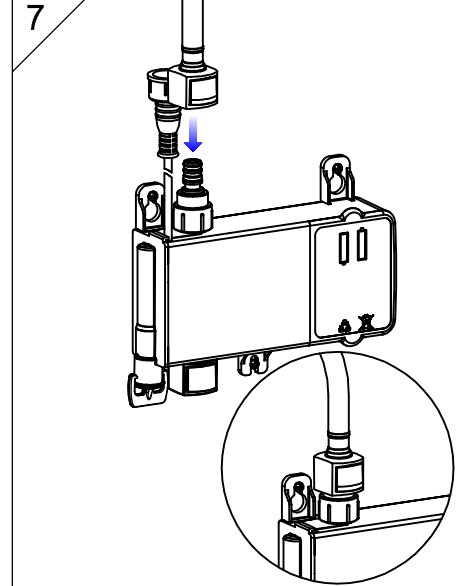


The dimension shown in the figure is a referential mounting distance for control box (The dimension is adjustable for better performance)

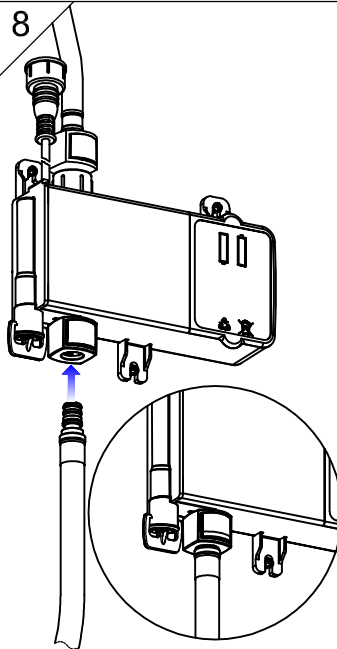


outlet connection

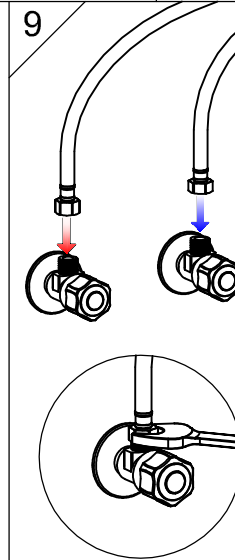
Mount the control box under the sink by a cross screwdriver according to the referential dimension, leaving some adjusting space.



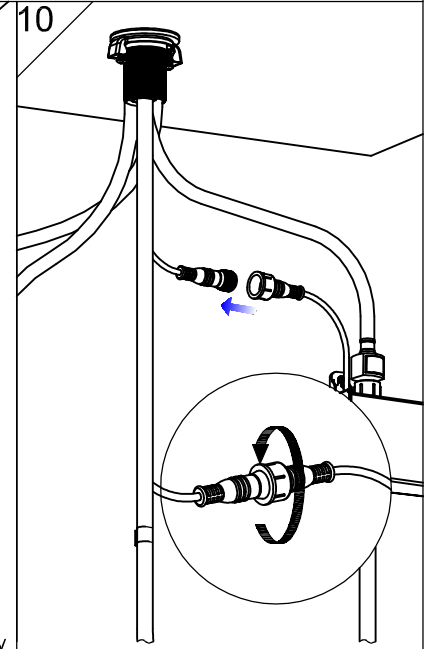
Connect the outlet hose to the control box with our innovative "quick connection".



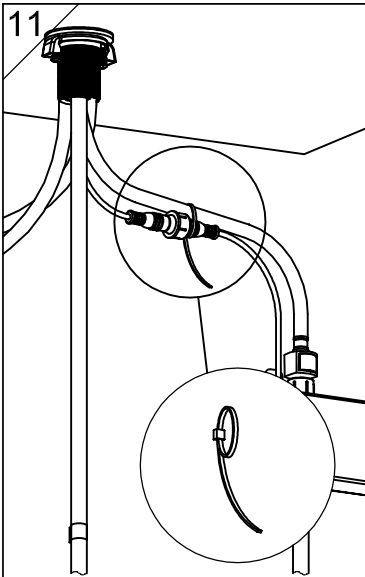
Connect the spray hose to the control box.



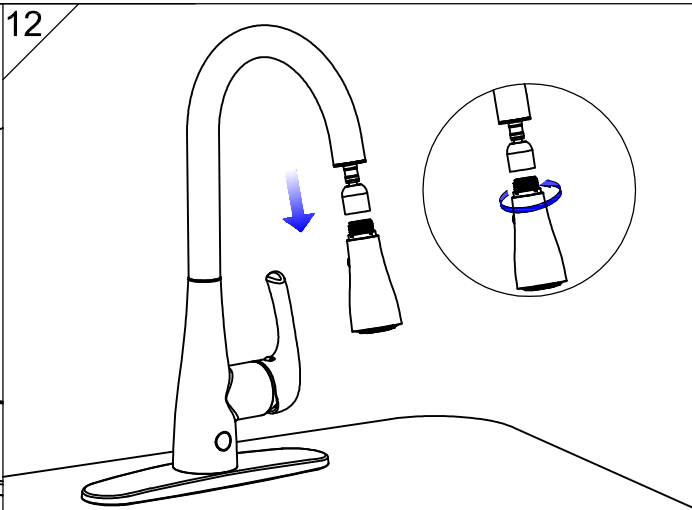
Connect the hot & cold supply lines onto the matching water valves and secure the connection with an adjustable wrench.



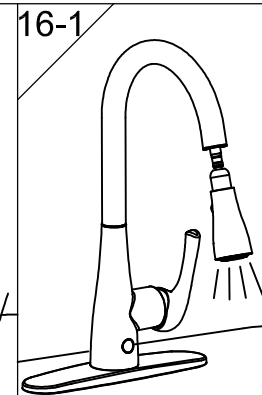
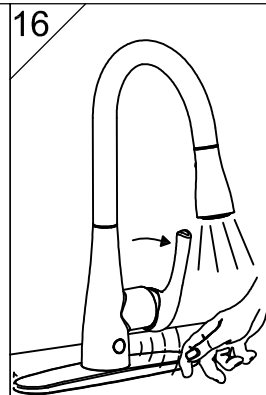
Connect the data cables and thread them properly with your fingers.



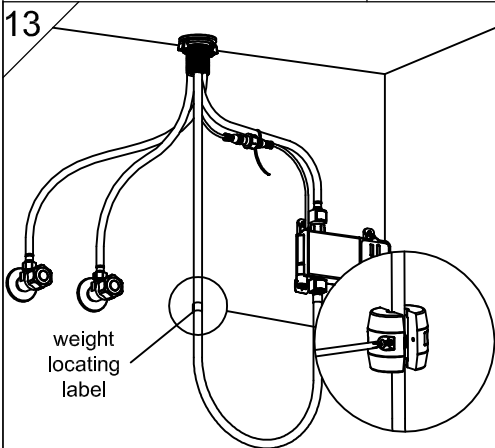
Tie the data cables together with the outlet hose by using a zip tie. Do not include the pulldown hose in the zip tie.



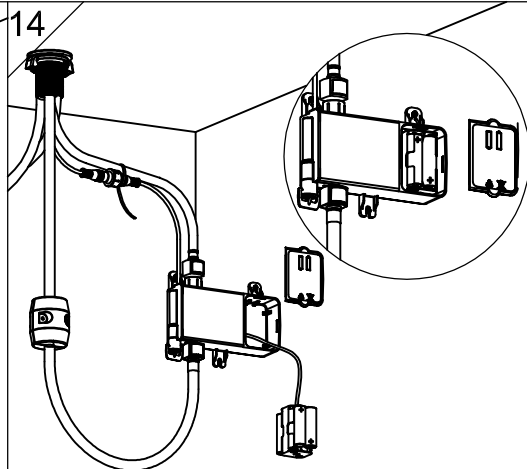
Attach and secure the spray head onto the pulldown hose.



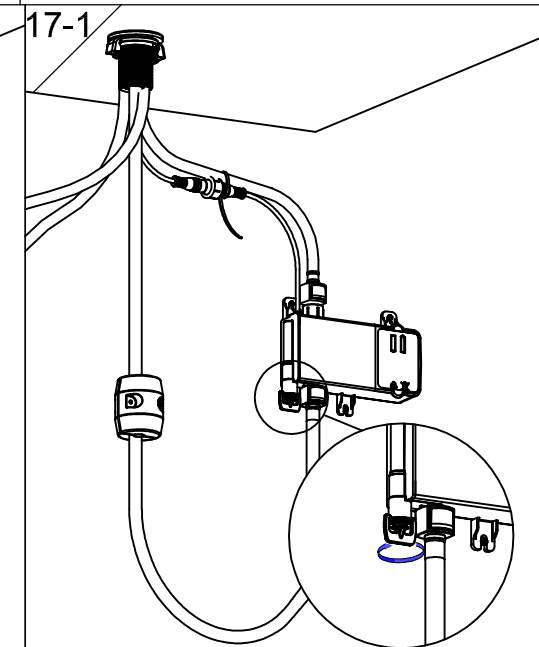
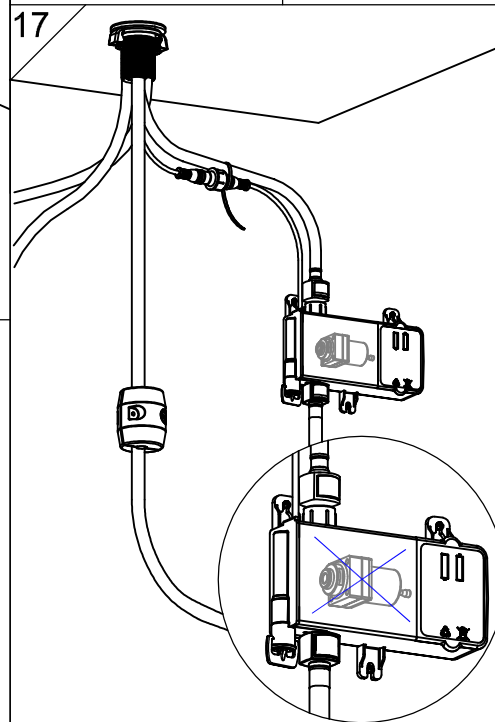
Turn on the faucet by the handle and wave your hand over the Sensor; the water turns on. The water temperature changes by manipulating the handle. Run the water flow and it will stop automatically in 3 minutes. Check for leaks. Then pull out the spray head (the infrared sensor will stop working when the spray head is pulled out and will reactivate in 3 minutes). Slide the spray head back in original position, and the water turns off. Repeat the operation several times, and check for errors. If none, then the faucet is good for use.



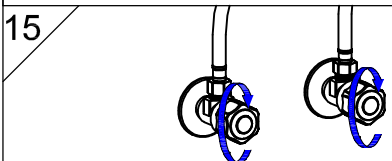
Install the counterweight on the pulldown hose at the marked position (the weight should be placed between this mark), and fix them by a cross screwdriver.



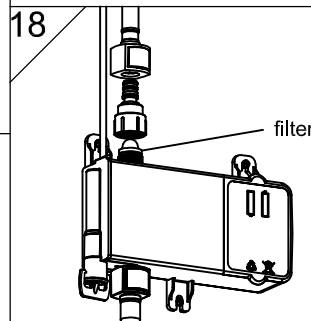
Remove the battery pack cover and take out the battery pack; insert 4 AA batteries. Put the battery pack back in the control box and replace the cover firmly.



For manual operation, turn the knob beneath the control box counter-clockwise to the end (as shown in figure 17-1). The sensor will be disabled and the faucet will be operational by the handle only.



When installation steps 1-14 are completed, turn the hot & cold water inlets back on.



If the water flow rate is lower than normal level, there may be severe blocking in the filter. In this situation, shut off the water valves and remove the supply hose from the control box; loosen the inlet "quick connection" and take out the filter; clean the filter up and reassemble them back.

For good maintenance, turn the handle off when the faucet will not be in use for an extended amount of time.