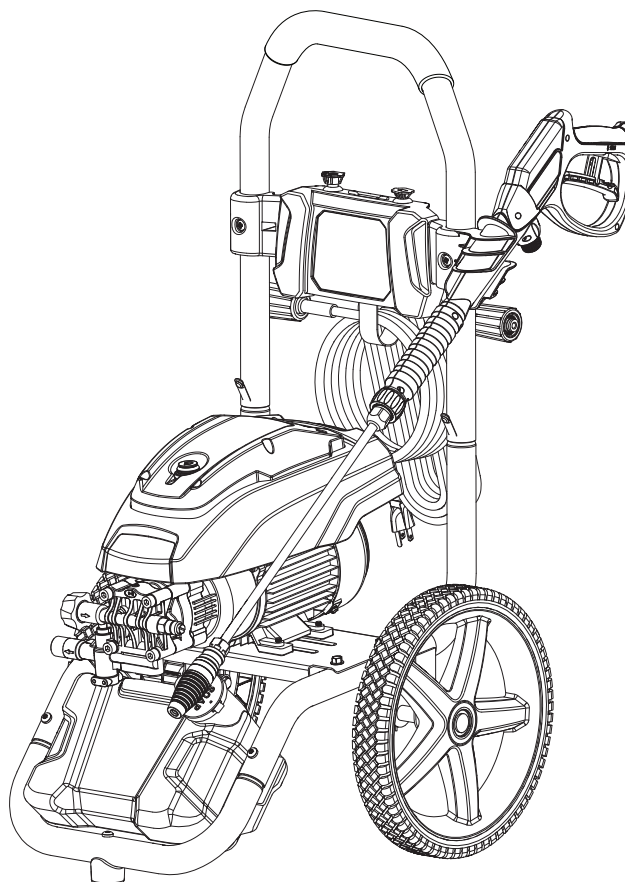


REPLACEMENT PARTS LIST

BRAND RYOBI	DESCRIPTION Electric Pressure Washer
MODEL NO. RY14500VNM	MFG. NO. 095079922



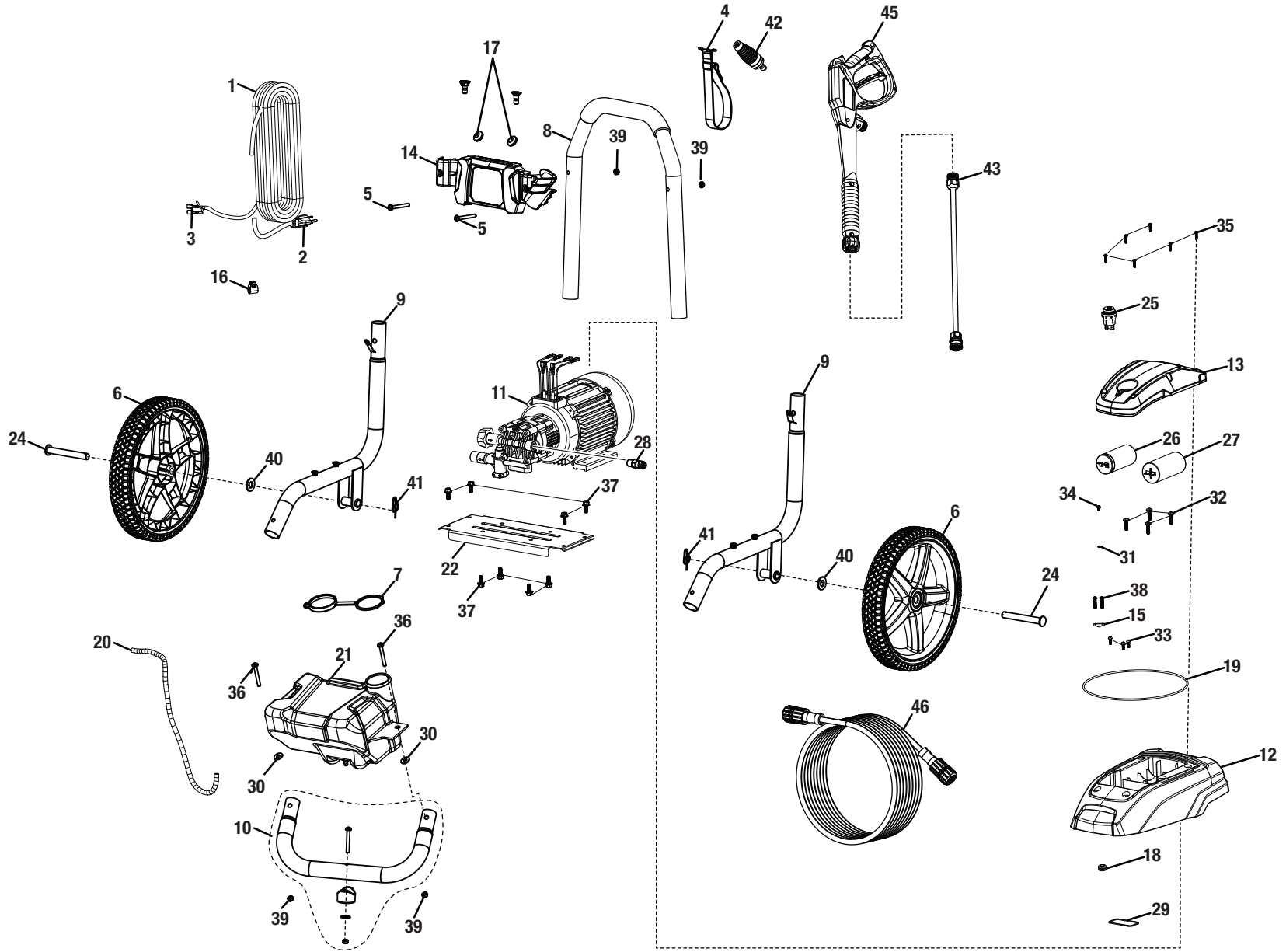
TTI OUTDOOR POWER EQUIPMENT, INC.

P.O. Box 1288, Anderson, SC 29622 ■ 1-800-525-2579 ■ www.ryobitools.com

999000269

11-20-22 (Rev:01)

The model number and manufacturing location will be found on a label attached to the product. Always mention this information in all communications regarding this product and when ordering parts.



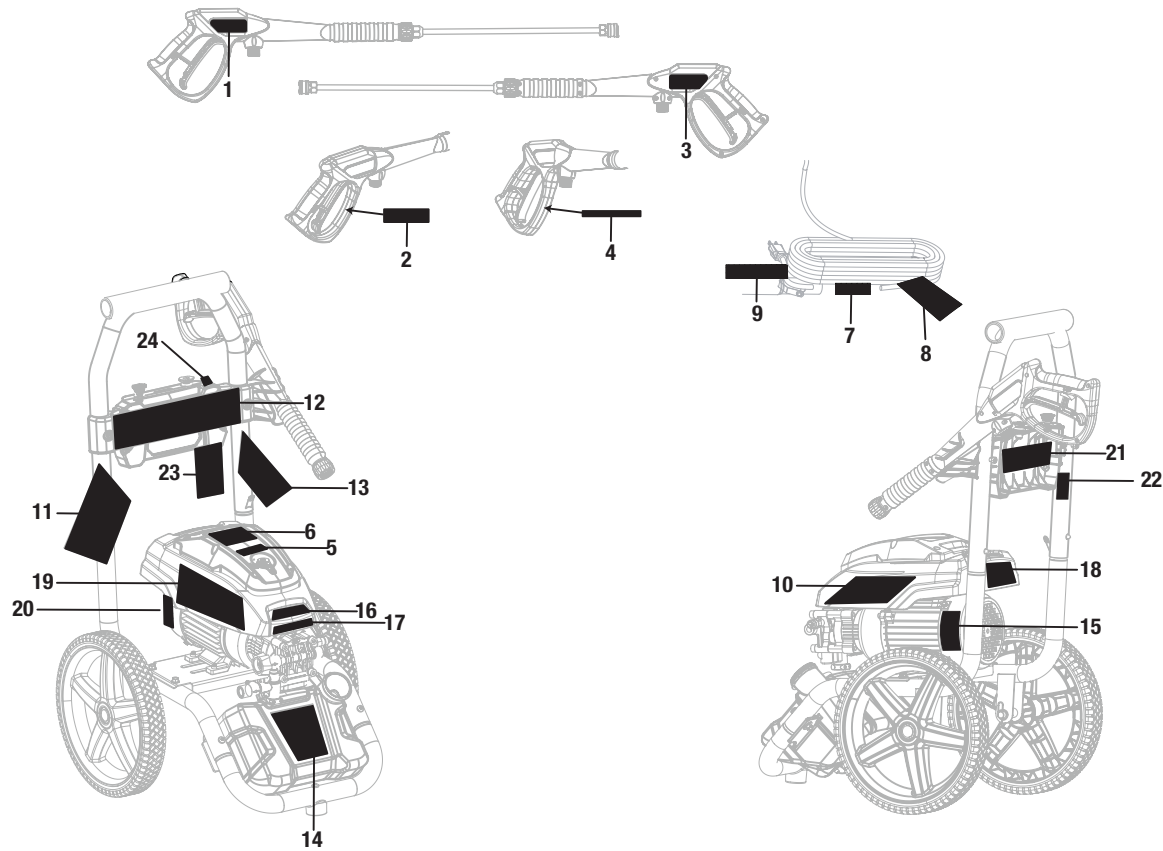


RY14500VNM

PARTS LIST

KEY NO.	PART NO.	DESCRIPTION	QTY.
1	290426048	Electrical Cord Assembly	1
2	308760095	Trigger Handle Assembly	1
3	308835156	Hose (35 ft.)	1
4	308350003	Hose Holder Strap	1
5	661503021	Screw (M6 x 48 mm, T30 Torx Pan Hd.)	2
6	308451094	Wheel	2
7	310650004	Soap Tank Cap	1
8	308638101	Handle Assembly w/Foam	1
9	310703036	Frame Assembly	2
10	310742028	Front Frame Assembly	1
11	308833017	Pump	1
12	522032083	Motor Shroud	1
13	522038055	Upper Switch Cover	1
14	522032077	Performance Panel	1
15	522051003	Electrical Cord Clamp	1
16	308698039	15 Degree Nozzle	1
17	561383004	Rubber Grommet	4
18	561383028	Grommet	1
19	570742237	O-Ring	1
20	561399016	Chemical Siphon Tube	1
21	580875014	Soap Tank	1
22	638662050	Motor Plate	1
23	308706013	Soap Nozzle	1

KEY NO.	PART NO.	DESCRIPTION	QTY.
24	620599034	Axle	2
25	760504018	Switch	1
26	820270011	Capacitor (CD60 250)	1
27	820270030	Capacitor (CBB60 SH)	1
28	678169004	Thermal Release Valve	1
29	570449004	Capacitor Gasket	1
30	638128004	Washer (1/4)	2
31	638454005	Toothed Lock Washer (M4)	1
32	660481019	Bolt (M6 x 20 mm, Pan Hd.)	4
33	660481027	Bolt (M4 x 12 mm, Pan Hd.)	3
34	660481028	Bolt M4 x 6 mm, Pan Hd.)	1
35	661403016	Screw (ST4.2 x 15 mm, Pan Hd.)	6
36	661503015	Screw (M6 x 48 mm, T30 Torx Pan Hd.)	2
37	661505020	Flange Bolt (M6 x 16 mm)	8
38	661610008	Screw (ST3.5 x 20 mm, Pan Hd.)	2
39	678610006	Nut (M6)	4
40	638275002	Washer (1/2)	2
41	678899006	Ring Clip Axle	2
42	308311038	Turbo Nozzle	1
43	308494077	Wand	1
	Not Shown:		
	999000269	Operator's Manual	



PARTS LIST

KEY NO.	PART NO.	DESCRIPTION	QTY.
1	940705305	Logo Label	1
2	940654228	Trigger Handle Label	1
3	940654083	Wand Warning Label	1
4	940904015	Handle Rating Label	1
5	940779482	On / Off Label	1
6	940779704	High Performance Motor Label	1
7	940603006	Cord Plug Label	1
8	940324032	Cordwrap Warning Label	1

KEY NO.	PART NO.	DESCRIPTION	QTY.
9	940654338	Outlet Cord Warning Label	1
10	940779480	Danger Icon Label	1
11	940473008	Warning Hangtag	1
12	940779705	Performance Label	1
13	918016090	Nozzle Hangtag	1
14	940779703	Detergent Soap Label	1
15	941097376	Data Label	1
16	940790447	Brushless Label	1

KEY NO.	PART NO.	DESCRIPTION	QTY.
17	940705487	Logo Standard	1
18	940779479	Regulatory Danger Label	1
19	940779481	Danger Icon Label	1
20	940325001	Inquiries Label	1
21	940617191	Quick Start Label	1
22	940779706	QR Code	1
23	900333008	Cable Tie Hangtag	1
24	940378017	Nozzle Storage	1



RY14500VNM

