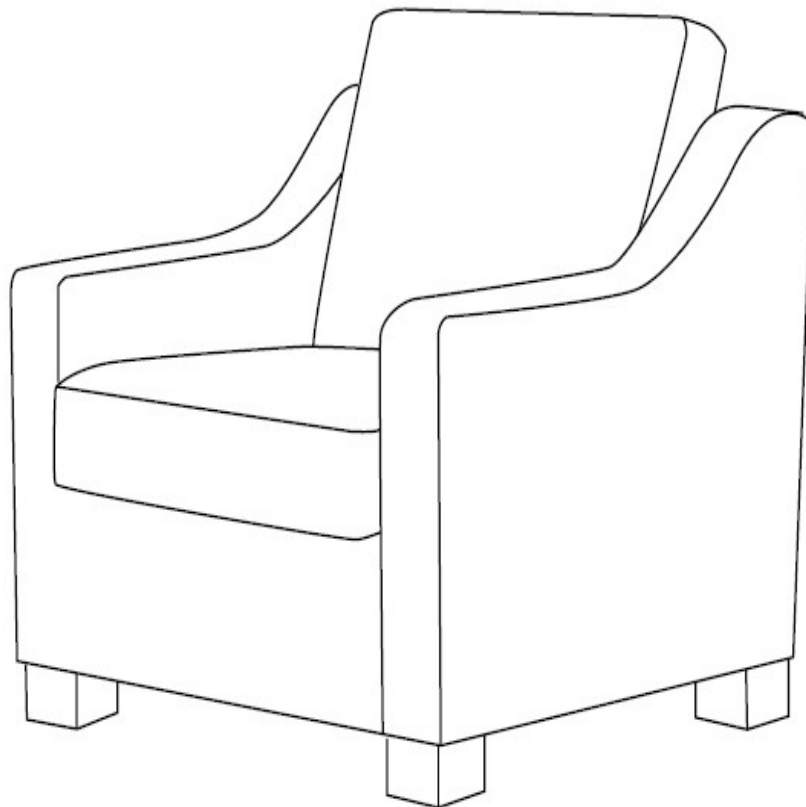




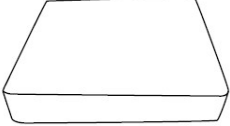

# Assembly Instructions

**Caution : You must read this before you proceed**





## **CHAIR**



## Parts List

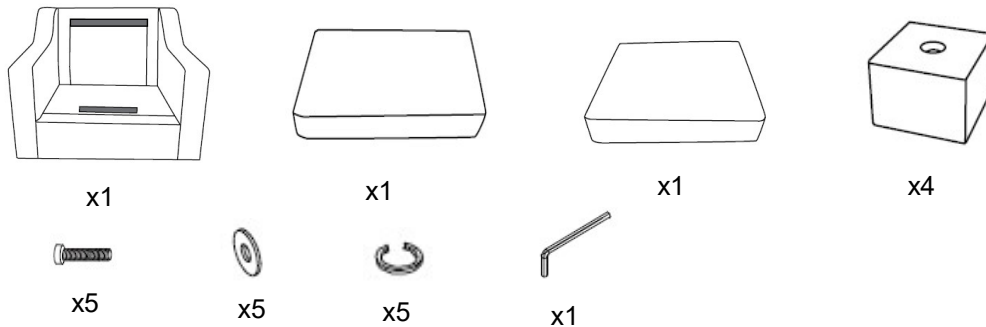
Label	Picture	Description	QTY
A		Chair Seat	1
B		Back Cushion	1
C		Seat Cushion	1
D		Leg	4

## Hardware List

Label	Picture	Description	QTY
①		M8*60mm	5
②		Wash	5
③		Wash Rings	5
④		Allen Key	1

## Assembly Preparation

Before Beginning Assembly:



- Read instructions, cover to cover-



- Have 2 adults on hand for assembly-



- Do not assemble on flooring or carpet-



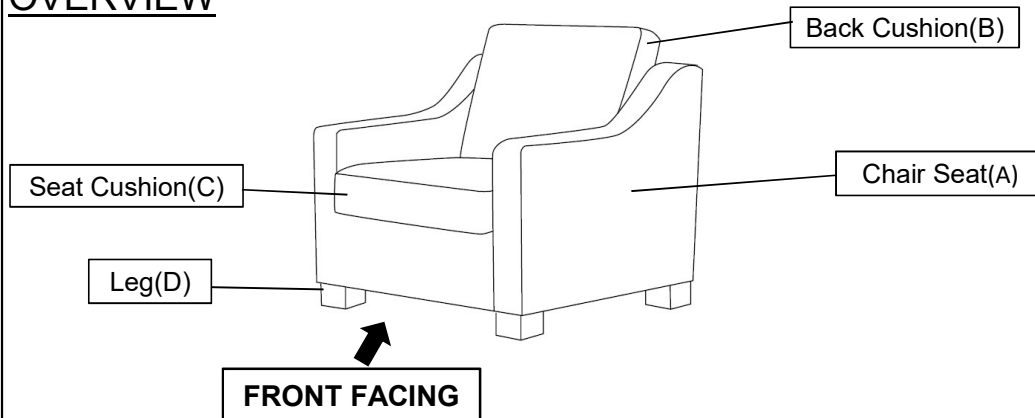
- Assemble on a clean non-marring surface (packing foam)-



- Save all packaging until finished-

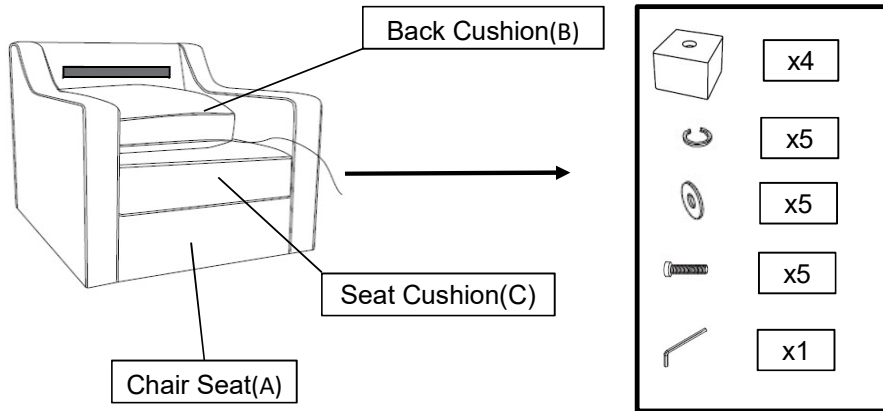
## Assembly Steps

### OVERVIEW



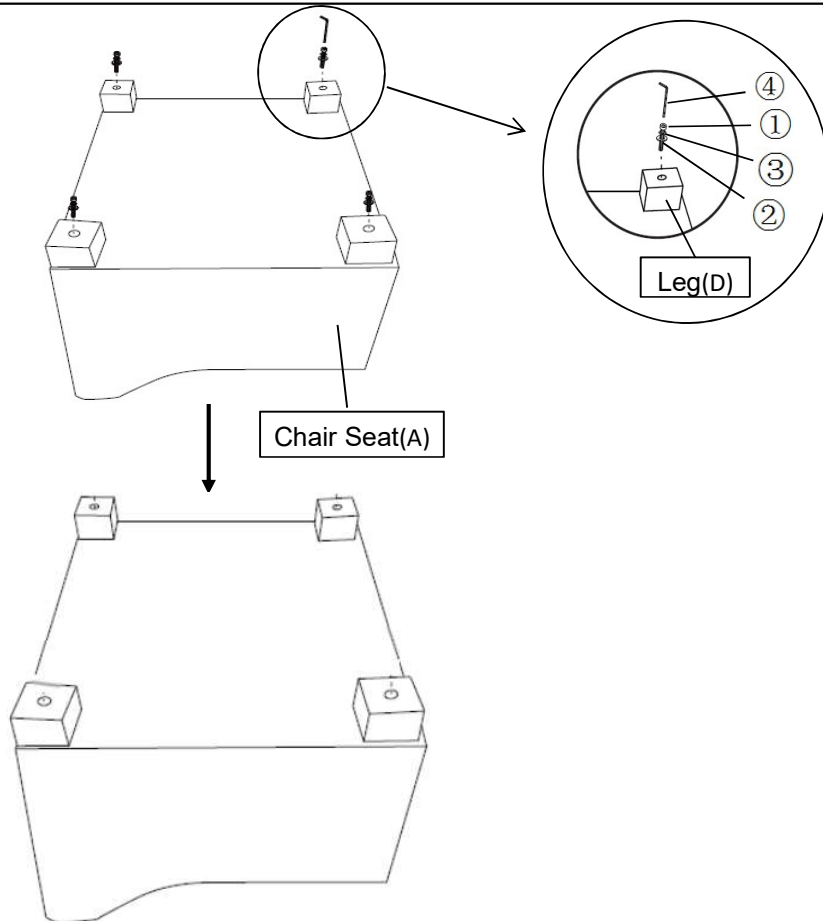
This Chair has multiple parts and may require up to 30 minutes to assemble. To give you an overview of the Chair parts, the above picture is to help you put the various parts into perspective. Please read through the instructions below to familiarise yourself with the parts and steps before assembly.

**Step 1**

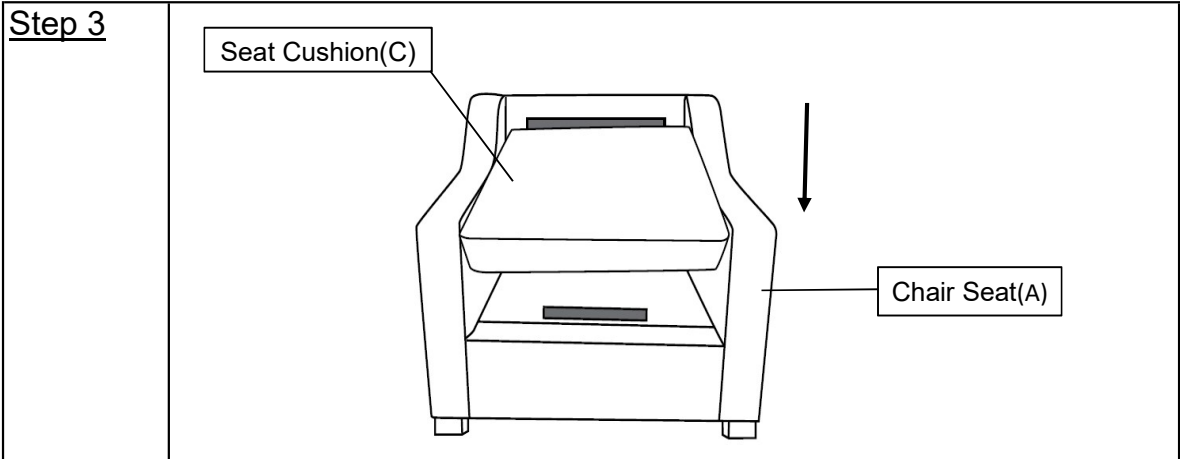


Place the Chair Seat(A) on a clean, non-marring surface.  
Remove the four Legs(D) and hardware package under the Seat Cushion(C) as shown above.

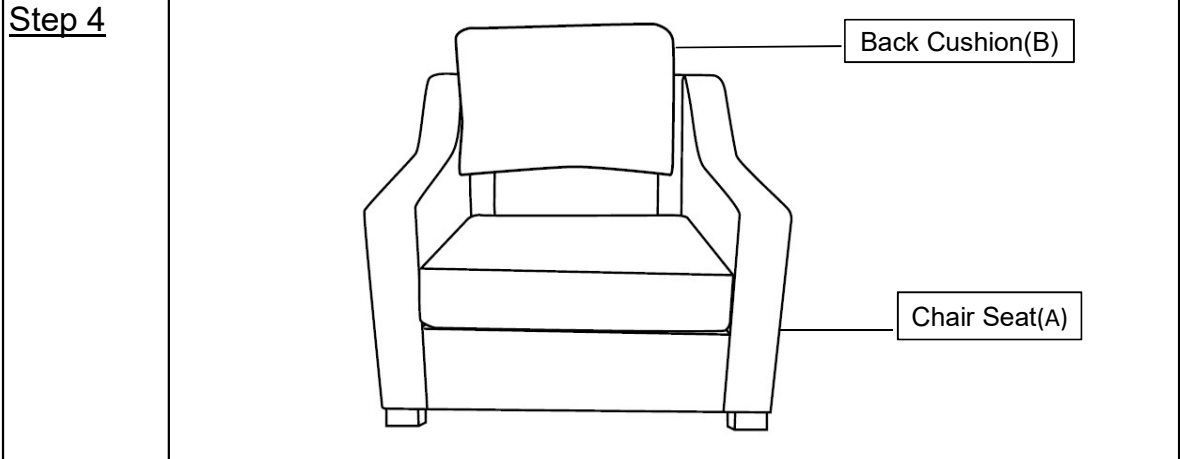
**Step 2**



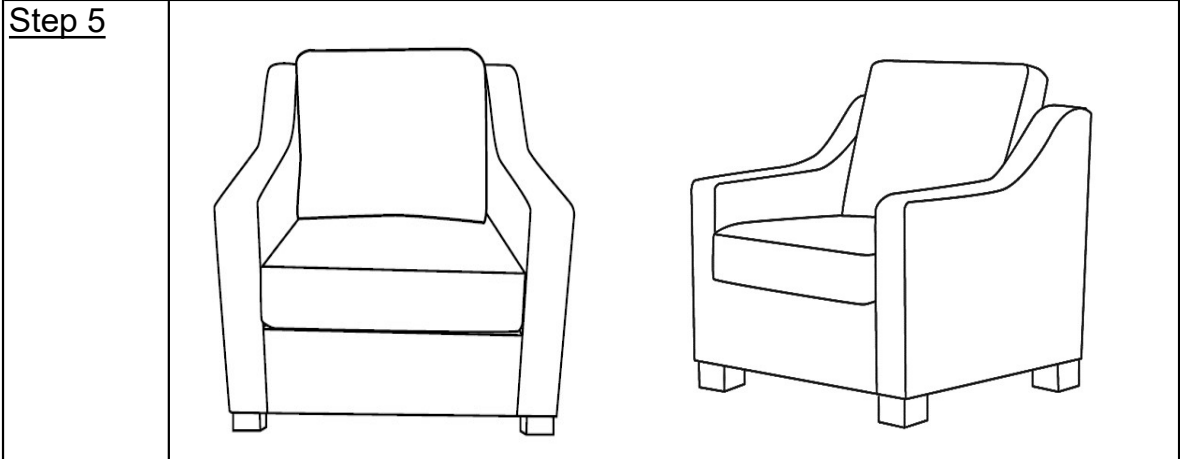
Position the Chair Seat(A) facedown on a clean, non-marring surface, as shown.  
Install the Leg(D) onto the bottom of the Chair Seat(A) using Bolt(①), Washer Rings(③), Washer(②) with Allen Key(④).  
Tighten the Bolt by turning clockwise.  
Repeat the same step to install the remaining three legs.



Put your Chair Seat(A) right side up.  
Place Seat Cushion(C) on the Chair Seat(A) as shown above.






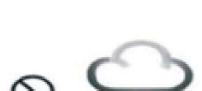






Put Back Cushion(B) on the Chair Seat(A).



Your Chair is ready for use.  
Your Chair can only be used on a flat, level surface.

## Care & Maintenance

-  Do not put hot items directly on furniture surface
  -  Do not clean furniture with harsh cleansers or polish.
  -  Do not place furniture under direct sunlight.
  -  Do not place furniture near heating or cooling vents.
  -  Do not write on furniture without a padded barrier to protect the surface.
  -  Do not place furniture outside . For indoor use only .
  -  Not for commercial use. For residential use only .
  -  Stains may be removed with mild soap solution and damp cloth.
  -  Children should not climb or jump on the furniture.
- 
-  Dust and pick-up spills using a clean, non-colored, lint-free cloth .