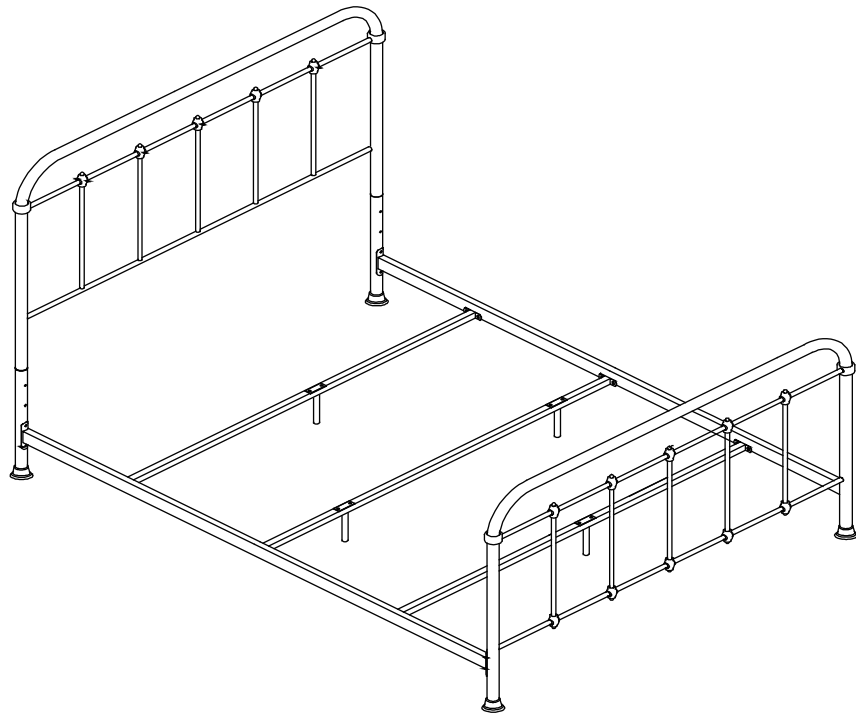


USE AND CARE GUIDE

BLACK/WHITE METAL TWIN XL BED BLACK/WHITE METAL TWIN STANDARD BED



Questions, problems, missing parts? Before returning
to the store, Customer Service.

8 a.m. – 7 p.m., EST, Monday – Friday, 9 a.m. – 6 p.m.,
EST, Saturday

1-877-527-0313

HOMEDEPOT.COM

THANK YOU

*We appreciate the trust and confidence you have placed in Stylewell through the purchase of this Black/white metal twin bed.
We strive to continually create quality products designed to enhance your home. Visit us online to see our full line of products available
for your home improvement needs. Thank you for choosing Stylewell !*

Table of Contents

Table of Contents.....	2	Pre-assembly (continued).....	4
Safety Information.....	2	Package Contents.....	4
Warranty.....	2	Assembly.....	5
1 Year Warranty.....	2	Maintenance.....	9
What is Covered.....	2	Care and Cleaning.....	9
What is Not Covered.....	2	Troubleshooting.....	9
Pre-assembly.....	3		
Planning Assembly.....	3		
Tools Required.....	3		
Hardware Included.....	3		

Safety Information

DANGER

- Keep small parts away from children during assembly.
- Read and follow instructions carefully.

WARNING

- Read these instructions carefully and keep in a safe place.
- TO GUARANTEE THE SAFE USE OF THIS PRODUCT, FOLLOW THE WARNINGS, GUIDELINES AND RECOMMENDATIONS IN THIS MANUAL.
- Adult assembly required.
- Small parts may present choking hazard prior to assembly.

CAUTION

- Do not use power tools to assemble your furniture. Power tools may strip or damage parts/product.
- Do not overtighten connectors (screws, bolts, etc.). Overtightening can lead to product damage.
- Be sure to check all packing materials carefully for small parts that may have come loose inside the carton during shipment. If parts are missing, contact THE HOME DEPOT to obtain any missing parts.
- DO NOT USE SUBSTITUTE PARTS.
- This product should only be used on a flat, level surface.
- Product is designed to hold 500 lbs for bed. Exceeding this limit may damage the product or cause injury to the user.
- Assembly requires two people; assembly alone may cause injury.

Warranty

1 YEAR WARRANTY

WHAT IS COVERED

We guarantee this product to be free of manufacturing defects to the original purchaser for one year.

WHAT IS NOT COVERED

This warranty does not cover commercial use, acts of nature, and abusive use.

Pre-assembly

PLANNING ASSEMBLY

Ensure all parts and components are present before beginning assembly.
Assemble on a soft, smooth surface to prevent damage to product finish.
Do not overtighten screws and bolts to avoid stripping.

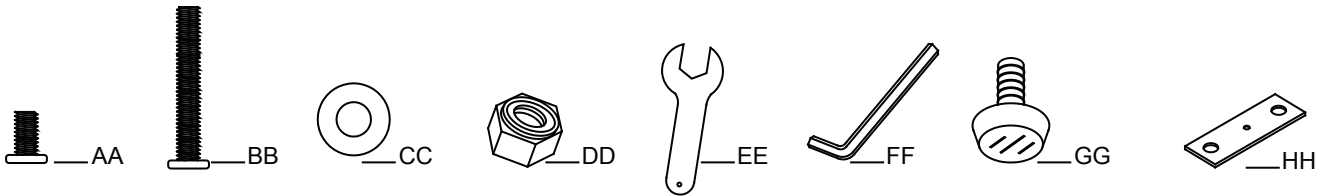


NOTE: DO NOT use power tools

HARDWARE INCLUDED



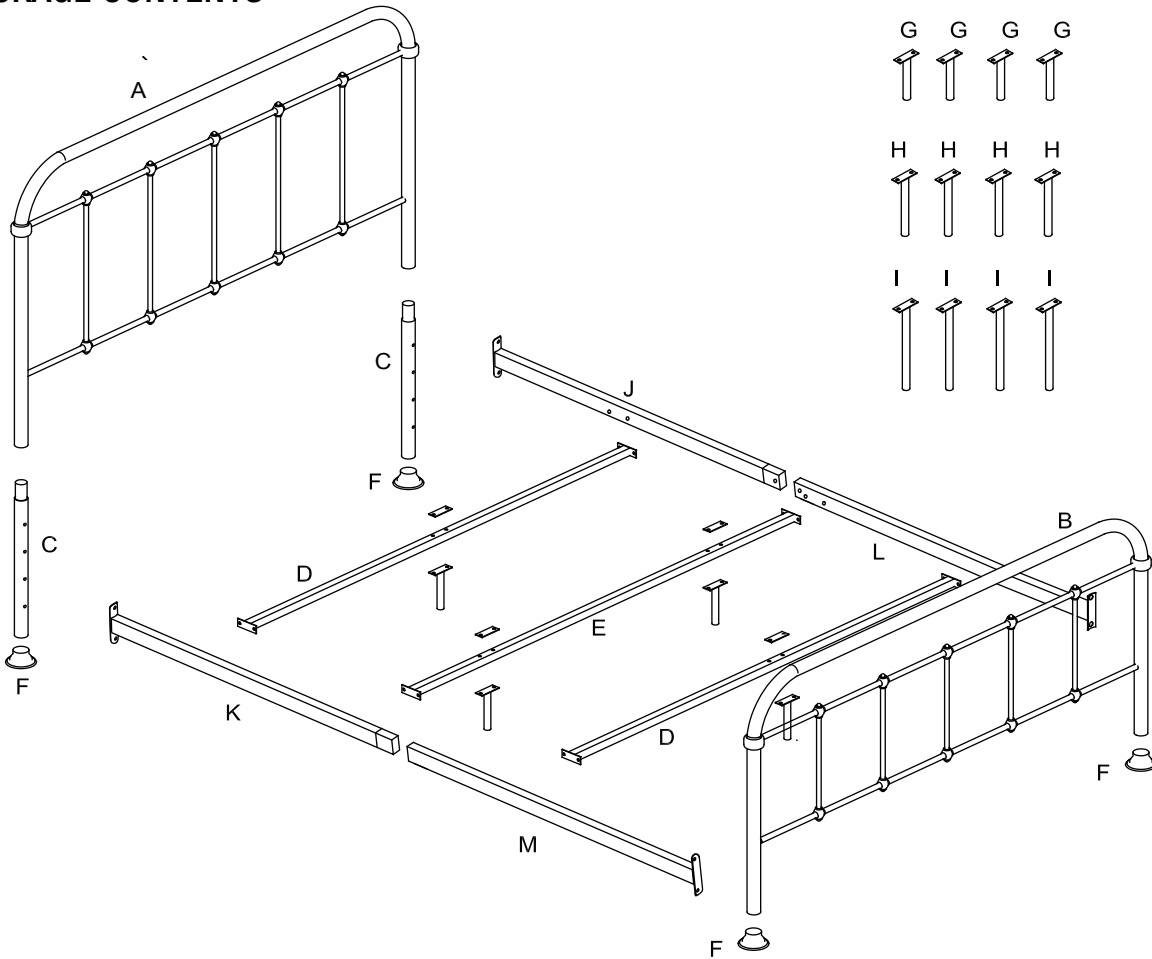
NOTE: Hardware not shown to actual size.



Part	Hardware list	Quantity
AA	Bolt 1/4x15mm	34
BB	Bolt 1/4x45mm	8
CC	Flat Washer	8
DD	Nut	8
EE	Open Spanner	1
FF	Allen Key	1
GG	Adjustable Leveler	4
HH	Bracket	4

Pre-assembly (continued)

PACKAGE CONTENTS

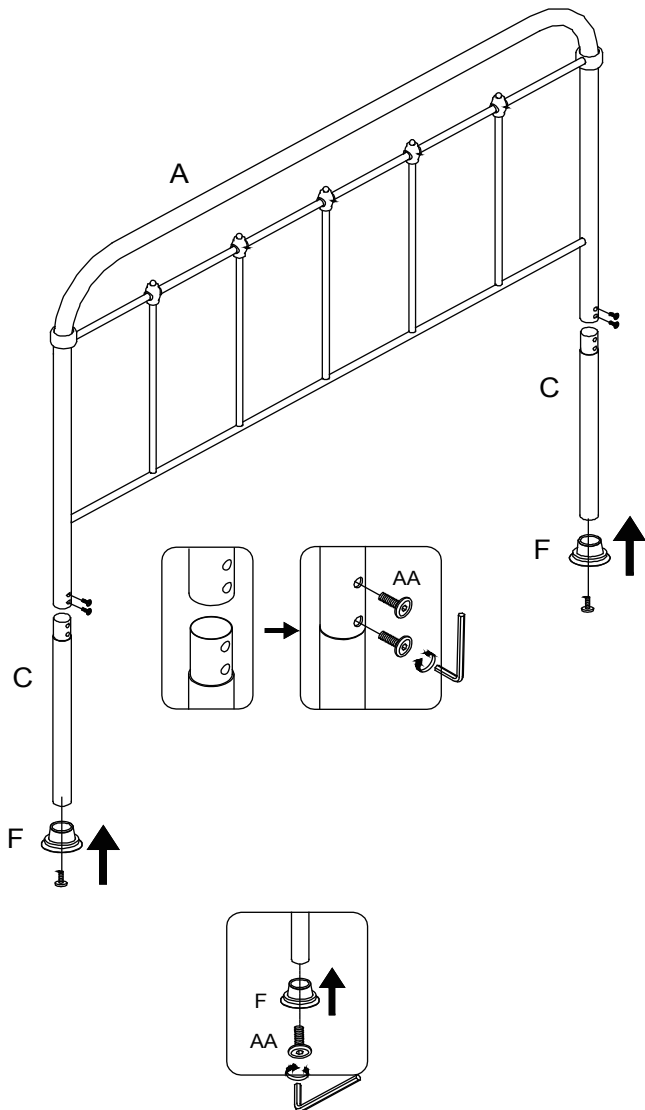


Part	Part Description	Quantity
A	Headboard	1
B	Footboard	1
C	Leg Extension	2
D	Slats	2
E	Slats	1
F	Foot	4
G	Center Legs (Short)	4
H	Center Legs (Middle)	4
I	Center Legs (Long)	4
J	Side Rail	1
K	Side Rail	1
L	Side Rail	1
M	Side Rail	1

Assembly

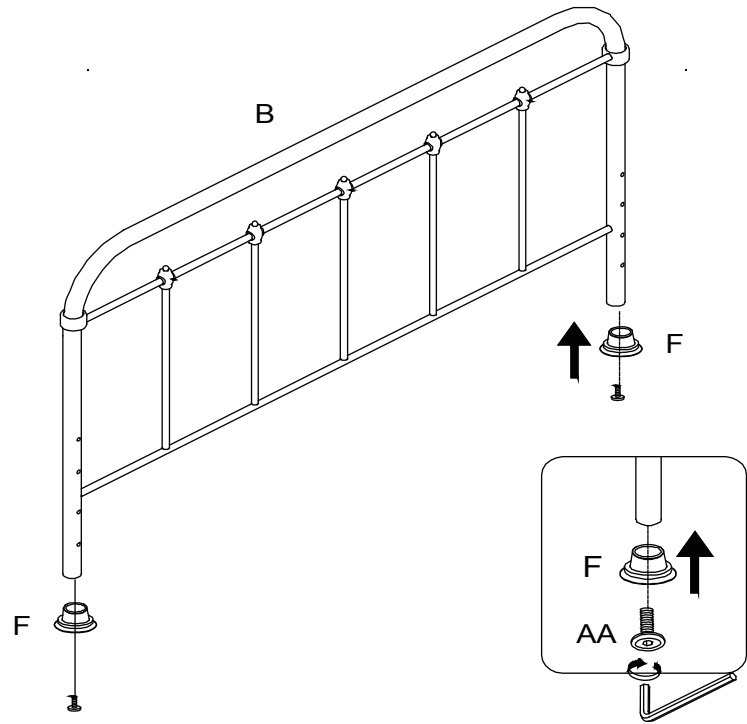
1 Attaching the headboard

- Attach the leg extension(C) to the headboard(A) with short bolt(AA)
- Attached Foot(F) to headboard with short bolt(AA) And tighten with Allen Wrench(FF) after all bolts are completely lined up and inserted into the holes.



2 Attaching The Footboard

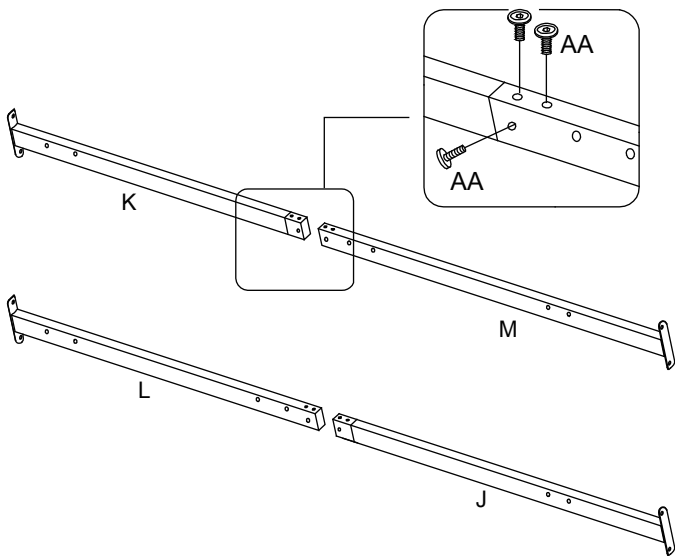
- Attach the foot(F)to the foot board with short bolt(aa)and tighten with Allen Wrench(FF).



Assembly (continued)

3 Attaching the Side Rails

- Attach side rails (K) and (M) with bolts (AA).
Attach side rails (L) and (J) with bolts (AA).
Use Allen Wrench (FF) to tighten

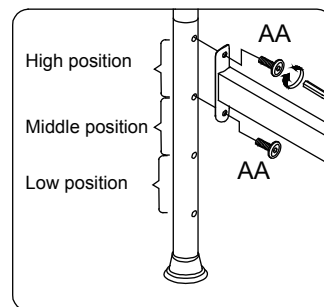
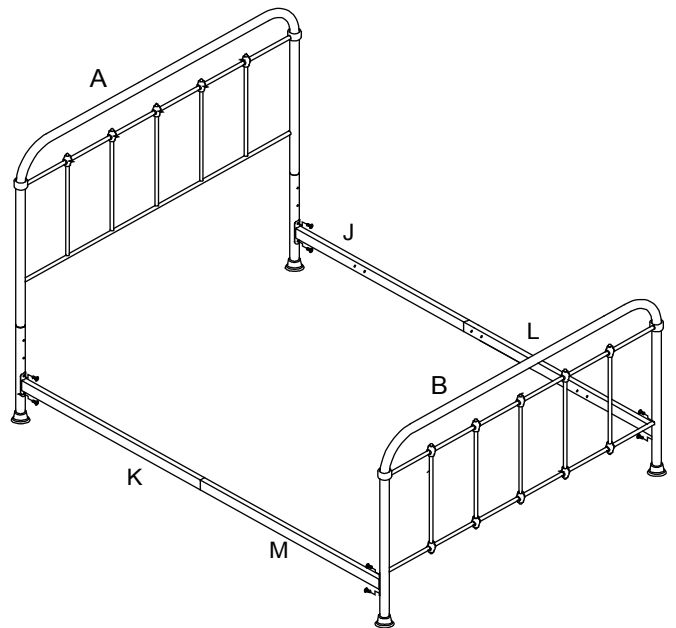


4 Attaching the Side Rails

- The side rails can be assembled to three height positions. Select the proper position to assemble the side rail for your desired mattress height. Attach the pre-assembled side rails to headboard and footboard with bolts (AA). Use Allen wrench (FF) to tighten



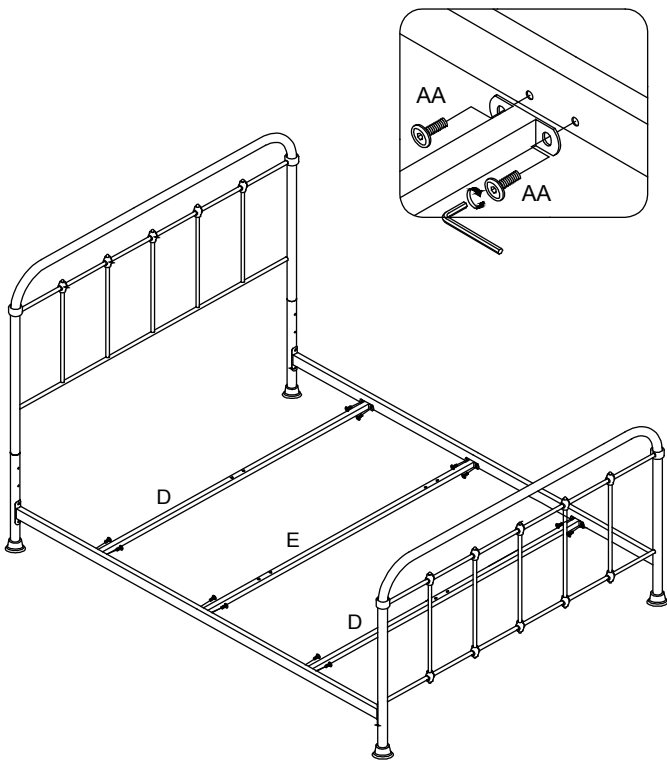
NOTE: Two side rails should be same height position



Assembly (continued)

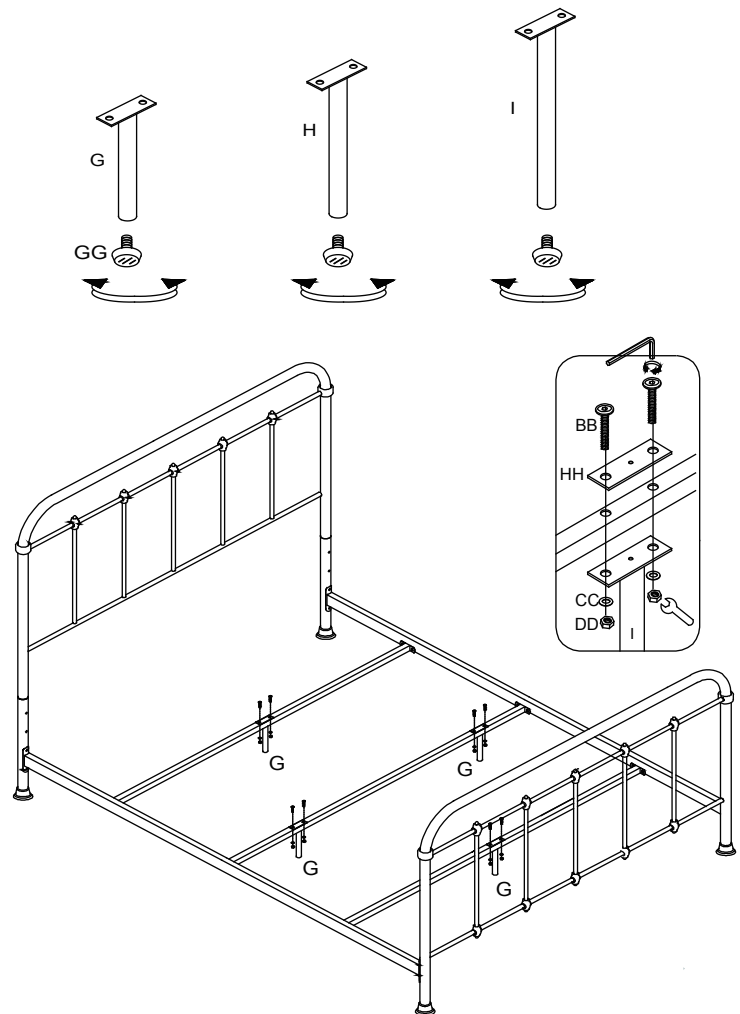
5 Attaching the Slats

- Attach the slats (D) and (E) to side rails with bolts (AA).
Note slat (E) with 2 holes is the center slat.
Tighten with Allen wrench (FF).



6 Attaching the center legs

- Attach the adjustable leveler (GG) to the center legs (G, H and I).
Attach the center legs (G, H or I) to the slats (D) and (E) with bolts (BB) through part (HH). Attached washer (CC) and nuts (DD), tighten with open spanner (EE) and allen key (FF).
- Determine the correct center leg height depending on side rail placement—low position, middle position, or high position.



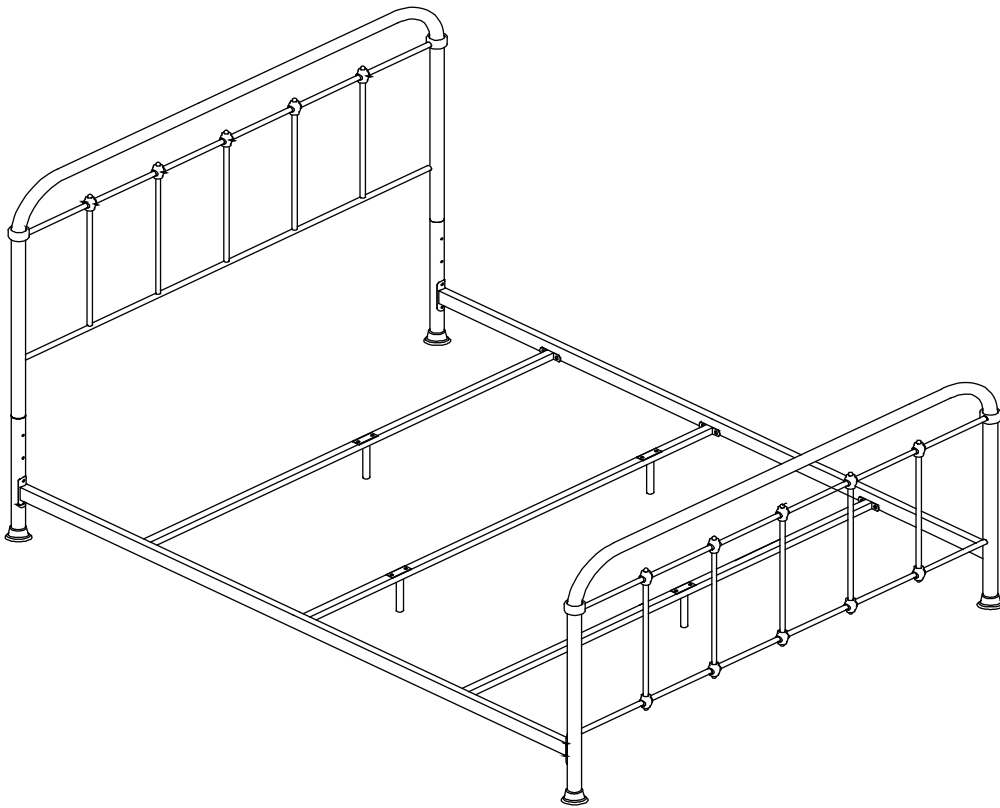
Assembly (continued)

7 Tightening the bolts

- Fully tighten all bolts previously installed with Allen Wrench.
Please use hand tools to assemble this product. Do not use power tools.
Tighten all the bolts only on a level surface.



NOTE: Do not over tighten screws and bolts to avoid stripping.



Maintenance

- Check bolts/screws periodically and tighten them if necessary.

Care and Cleaning

- Dust this item regularly with a soft, lint-free cloth to prevent soil buildup.
- Wipe away spills immediately to prevent staining using a clean cloth dampened with water.
- Do not use liquid or abrasive cleaners on the metal frame, as this may damage the finish.

Troubleshooting

Problem	Solution
Not all of the product's legs touch the floor.	Make sure adjustable center feet levelers are adjusted properly. The levelers are pre-assembled on the bottom of the legs.
	The product is KD construction. You may need to loosen the bolts and place the product on a flat surface. Ensure that the legs all touch the flat surface and then re-tighten the bolts.
	Loosen all the bolts and apply some weight to the product to get all the feet to touch the floor. Then re-tighten the bolts in that position.
One or more of the bolts do not fit in the holes correctly.	The product is KD construction. Do not fully tighten the bolts before all the bolts are completely lined up and inserted into holes. Loosen the bolts and make sure all bolts are lined up and inserted into the holes.

StyleWell.™

Questions, problems, missing parts?

Before returning to the store, call Customer Service.

8 a.m. – 7 p.m., EST, Monday – Friday, 9 a.m. – 6 p.m., EST, Saturday

1-877-527-0313

HOMEDEPOT.COM

Retain this manual for future