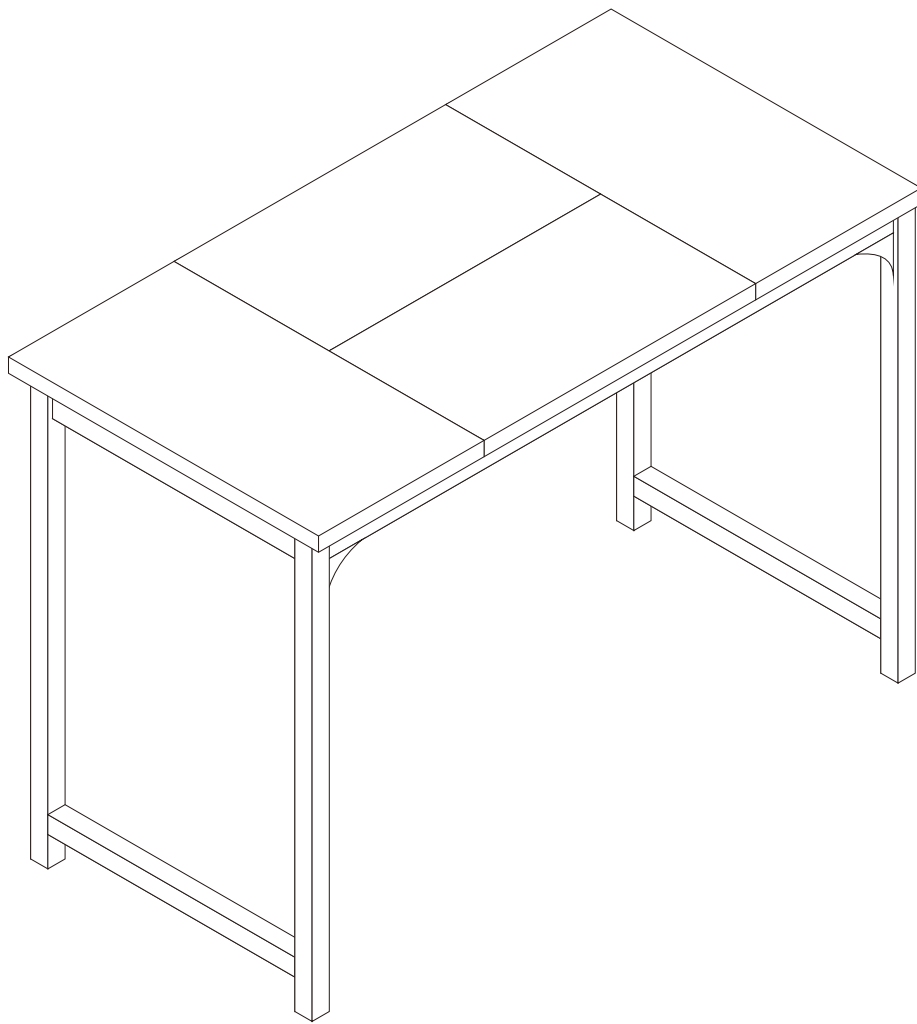
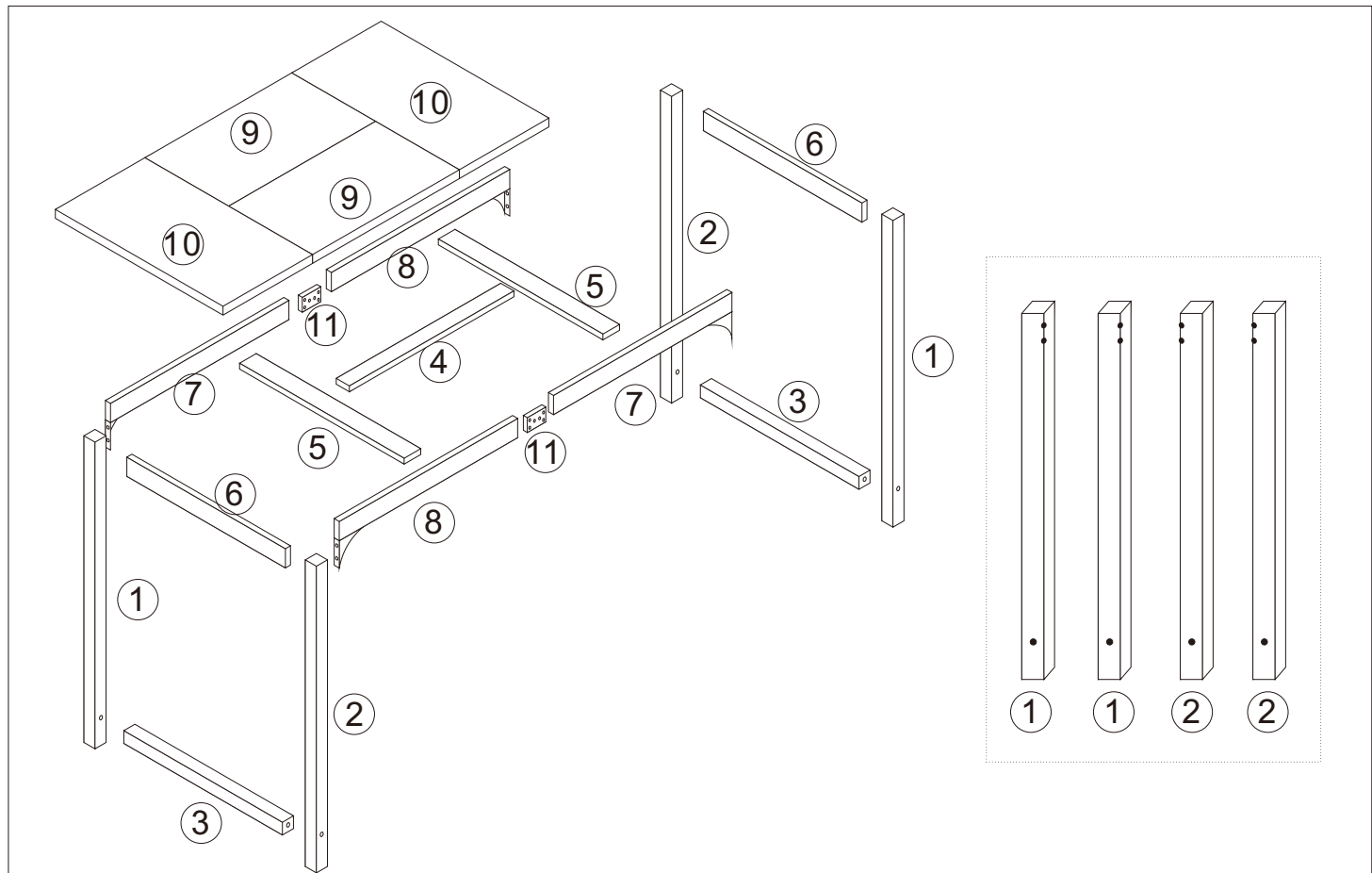


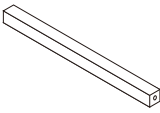
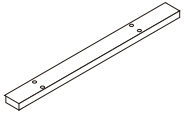
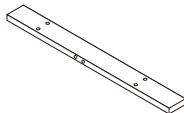
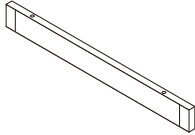


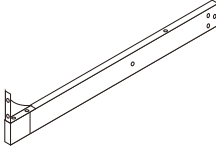
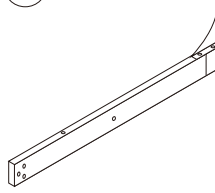
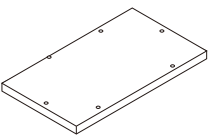
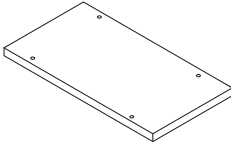
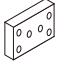
Installation instructions

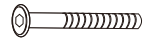

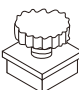
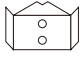



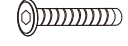
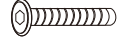
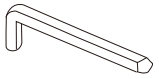
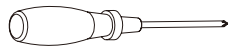
Tribesigns



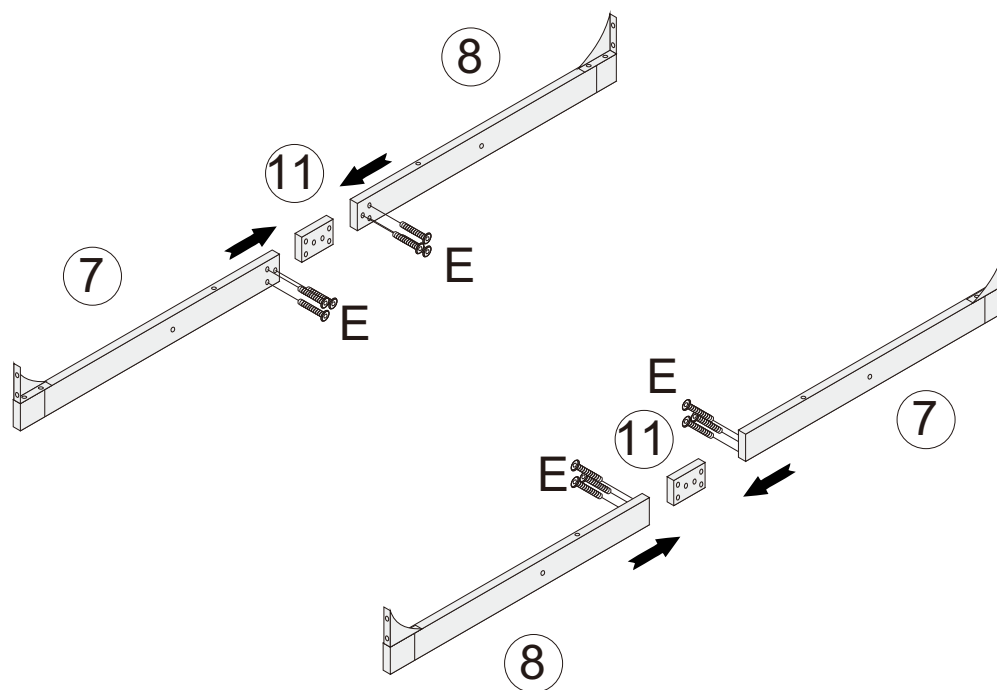
 <p>72x5x5cm x2</p>	 <p>72x5x5cm x2</p>	 <p>68x5x5cm x2</p>	 <p>85.5x5x2.5cm x1</p>	 <p>71.7x5x2.5cm x2</p>	 <p>68x5x2.5cm x2</p>
--	--	--	---	--	--

 <p>84.2x5x2.5cm x2</p>	 <p>84.2x5x2.5cm x2</p>	 <p>90x40cm x2</p>	 <p>80x45cm x2</p>	 <p>x2</p>	
---	--	---	--	---	--

<p>A</p>  <p>8x70mm x6</p>	<p>B</p>  <p>8x40mm x12</p>	<p>C</p>  <p>x4</p>	<p>D</p>  <p>x4</p>	<p>E</p>  <p>8x20mm x20</p>
--	---	---	---	---

<p>F</p>  <p>6x35mm x12</p>	<p>G</p>  <p>6x60mm x8</p>	<p>H</p>  <p>x1</p>	<p>J</p>  <p>x1</p>	
---	--	---	--	--

01

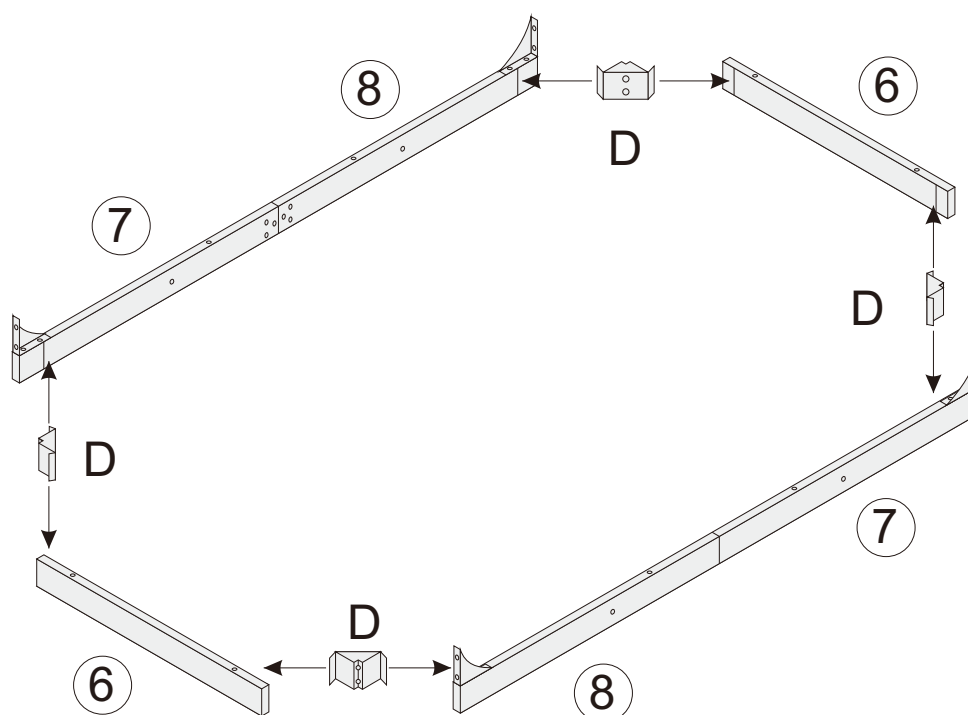


E


8x20mm

x12

02

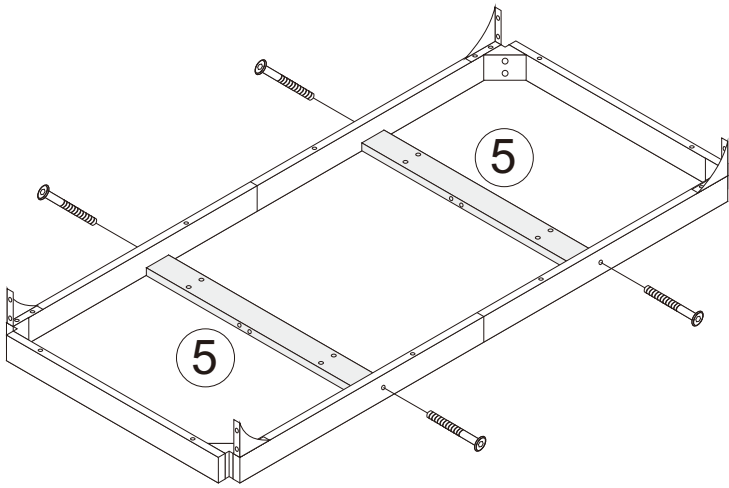


D



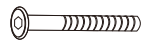
x4

03



Friendly Tips: DO NOT fully tighten all screws until assembly is completed.

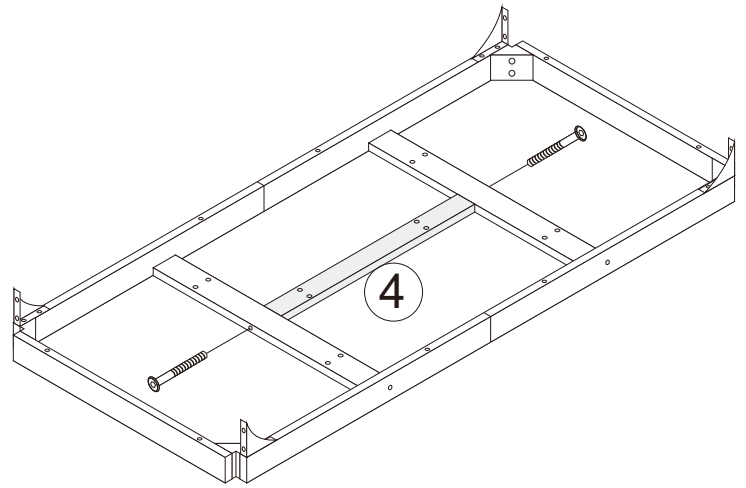
B



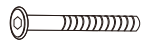
8x40mm

x4

04



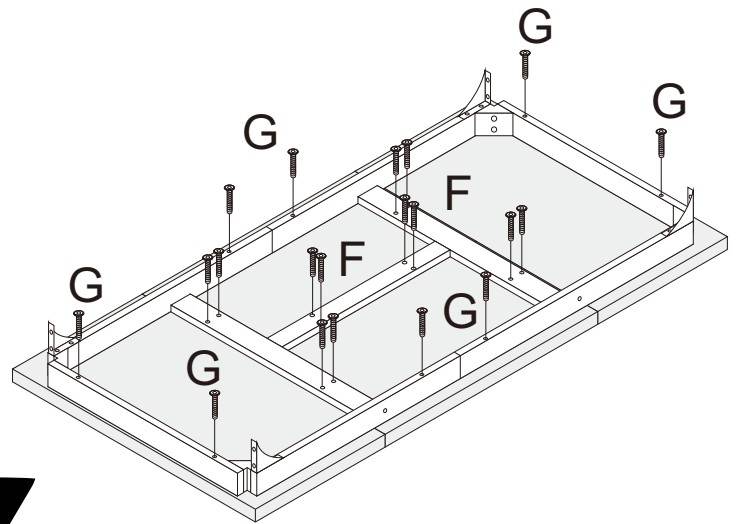
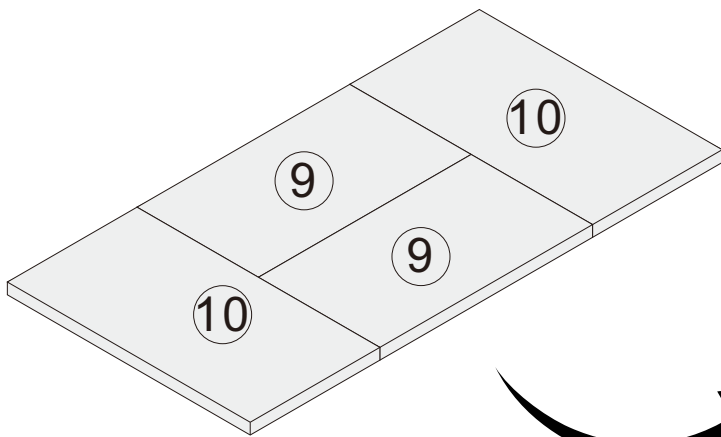
A



8x70mm

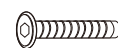
x2

05



Friendly Tips: Don't tighten the F and G screws in step 5, wait until finish step 7 to fine-tune the desktop, and then align the screws and tighten them!

F



6x35mm

x12

G

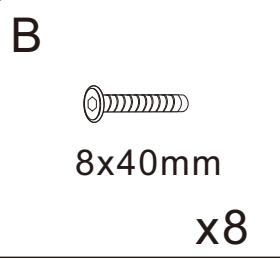
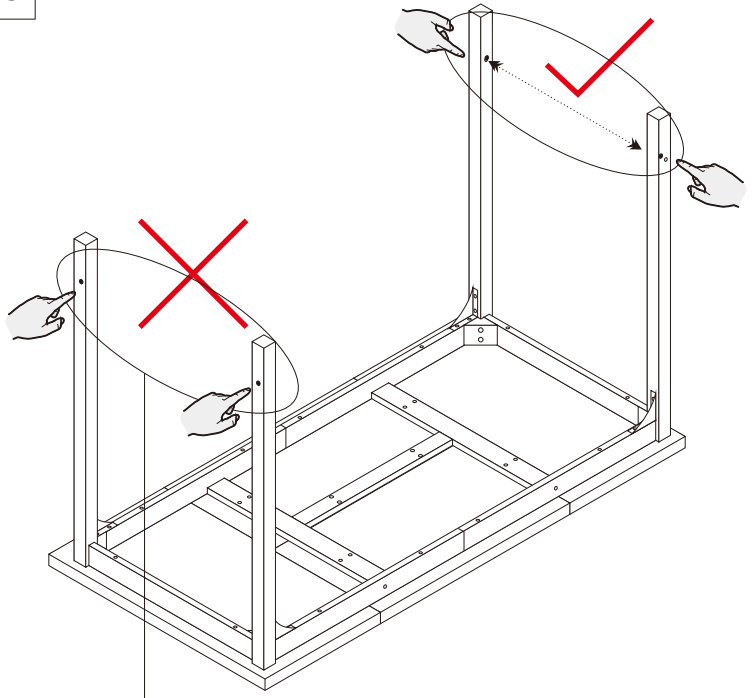
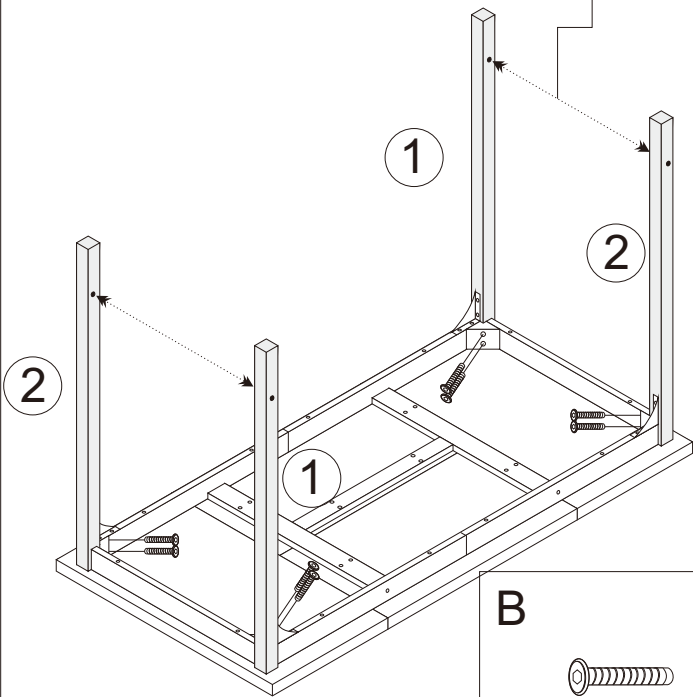


6x60mm

x8

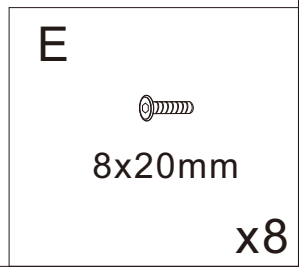
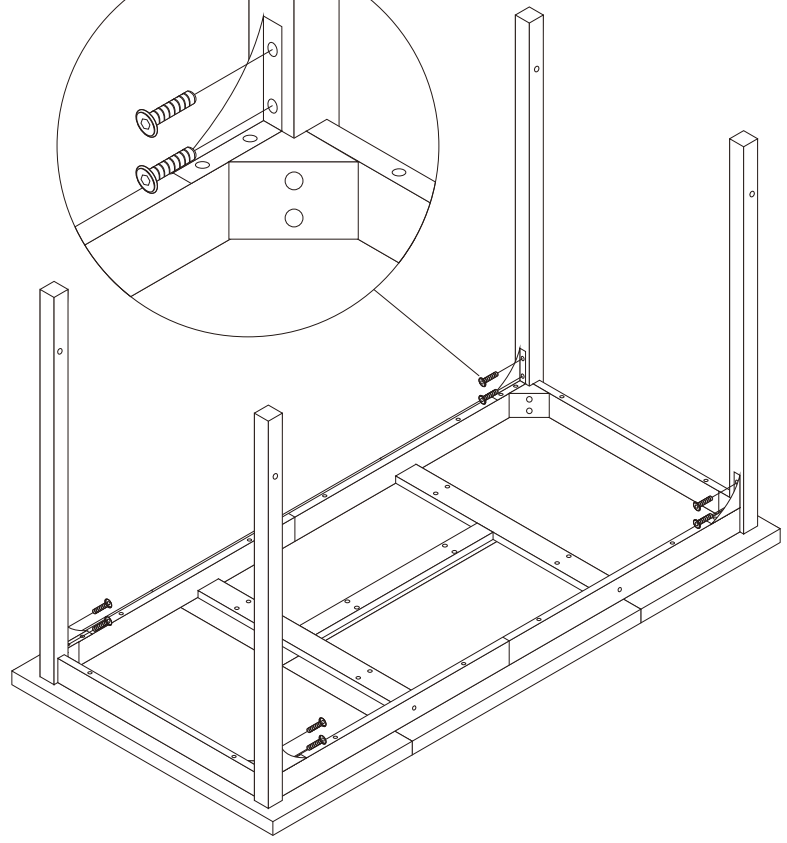
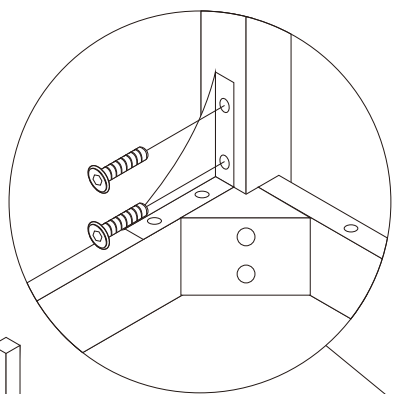
06

Pay attention to the direction of the hole

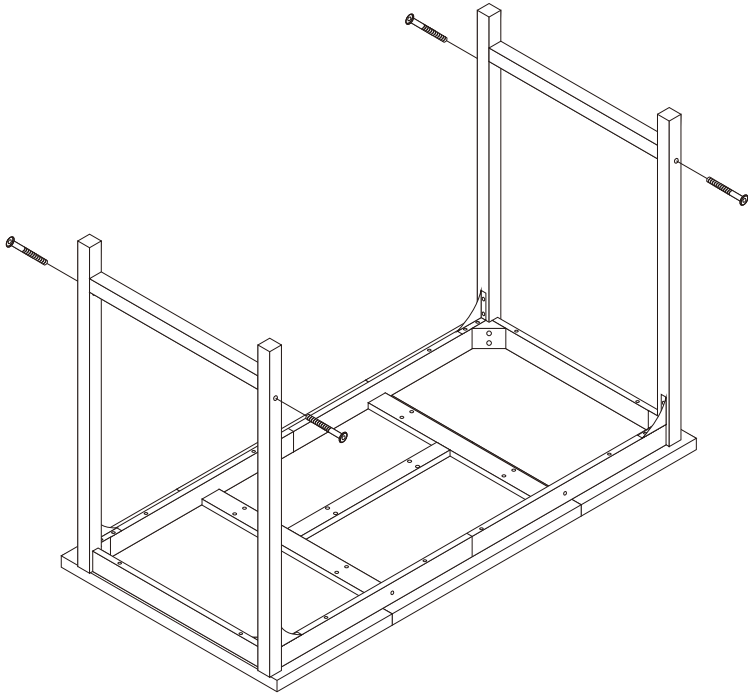


If this happens, just switch the two steel legs left and right to install it.

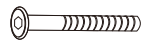
07



08



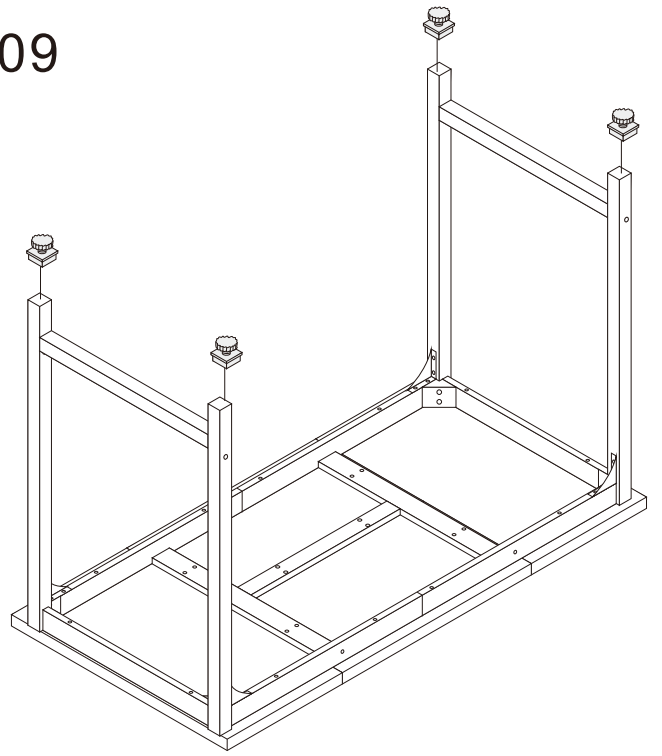
A



8x70mm

x4

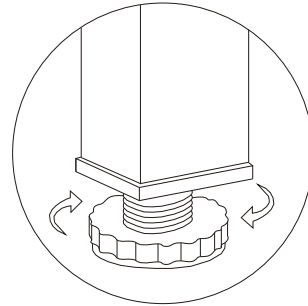
09



C



x4



10

