

Use & Care Guide  
Manual de Uso y Cuidado  
English / Español

# Kenmore®

## Liquid Propane Gas Grill

## Parrilla a gas de propano líquido

Model/Modelo: PG-40611S0L

P/N 61100101



 **DANGER** 

If you smell gas:

1. Shut off gas to the appliance.
2. Extinguish any open flame.
3. Open lid.
4. If odor continues, keep away from the appliance and immediately call your gas supplier or your fire department.

 **WARNING** 

1. Do not store or use gasoline or other flammable liquids or vapors in the vicinity of this or any other appliance.
2. An LP cylinder not connected for use shall not be stored in the vicinity of this or any other appliance.

**Please Contact Permasteel Customer Service For Help & Parts**

If you have questions or need assistance during assembly, Please call 1-888-287-0735. M – F 8:00 – 5:00 Pacific You will be speaking to a Representative of the grill manufacturer.

Or Visit us at [www.permasteel.net](http://www.permasteel.net)

**Product Record**

IMPORTANT: Fill out the product record information below.

Model Number \_\_\_\_\_

Serial Number \_\_\_\_\_  
See rating label on grill for serial number.

Date Purchased \_\_\_\_\_

 **CAUTION** 

For residential use only. Do not use for commercial cooking.

**Installation Safety Precautions**

- Please read this User’s Manual in its entirety before using the grill.
- Failure to follow the provided instruction can result in seriously bodily injury and/or property damage.
- Some parts of this grill may have sharp edges. Please wear suitable protective gloves.
- Use grill, as purchased, only with LP (propane) gas and the regulator/valve assembly supplied.
- Grill installation must conform with local codes, or in their absence of local codes, with either the National Fuel Gas Code, ANSI Z223.1/ NFPA 54, Natural Gas and Propane Installation Code, CSA B149.1, or Propane Storage and Handling Code, B149.2, or the Standard for Recreational Vehicles, ANSI A 119.2/NFPA 1192, and CSA Z240 RV Series, Recreational Vehicle Code, as applicable.
- All electrical accessories (such as rotisserie) must be electrically grounded in accordance with local codes, or National Electrical Code, ANSI / NFPA 70 or Canadian Electrical Code, CSA C22.1. Keep any electrical cords and/or fuel supply hoses away from any hot surfaces.
- This grill is safety certified for use in the United States and/or Canada only. Do not modify for use in any other location. Modification will result in a safety hazard.

**IMPORTANT:** This grill is intended for outdoor use only and is not intended to be installed in or on recreational vehicles or boats.

**NOTE TO INSTALLER:** Leave this User’s Manual with the customer after delivery and/or installation.

**NOTE TO CONSUMER:** Leave this User’s Manual in a convenient place for future reference.

**Safety Symbols**

The symbols and boxes shown below explain what each heading means. Read and follow all of the messages found throughout the manual.

 **DANGER** 

DANGER: Indicates an imminently hazardous situation which, if not avoided, will result in death or serious injury.

 **WARNING** 


WARNING: Indicates an potentially hazardous situation which, if not avoided, could result in death or serious injury.

 **CAUTION** 


CAUTION: Indicates a potentially hazardous situation or unsafe practice which, if not avoided, may result in minor or moderate injury.

## TABLE OF CONTENTS

For Your Safety . . .	. . . . 2
Grill Service Center. . .	. . . . 2
Product Record Information . . .	. . . . 2
Installation Safety Precautions . . .	. . . . 2
Safety Symbols . . .	. . . . 2
Kenmore Grill Warranty . . .	. . 3-4
Use and Care . . .	. . 5-11
Parts List . . .	. . . 12
Parts Diagram . . .	. . . 13
Before Assembly . . .	. 14-17
Assembly . . .	. 18-29
Troubleshooting . . .	. 30-32



# WARNING



Combustion byproducts produced when using this product include carbon monoxide, a chemical known to the State of California to cause birth defects or other reproductive harm. For more information go to [www.P65Warnings.ca.gov](http://www.P65Warnings.ca.gov)

---

# WARRANTY

## KENMORE GRILL WARRANTY

### KENMORE LIMITED WARRANTY

WITH PROOF OF SALE, the following warranty coverage applies when this appliance is correctly installed, operated and maintained according to all supplied instructions.

FOR ONE YEAR from the date of sale this appliance is warranted against defects in material or workmanship. A defective appliance will receive free repair. If the appliance cannot be repaired it will be replaced free of charge.

FOR FIVE YEARS from the date of sale, any stainless steel burner that rusts through or burns through will be replaced free of charge.\* If rust through or burn through occurs within the first year, a new burner will be installed at no charge. If rust through or burn through occurs after the first year, a new burner will be supplied but not installed at no charge. You are responsible for the labor cost of burner installation after the first year from the date of sale. \*Rust-through or burn-through must be verified by a Sears authorized service representative.

All warranty coverage excludes ignitor batteries and grill part paint loss, discoloration or surface rusting, which are either expendable parts that can wear out from normal use within the warranty period, or are conditions that can be the result of normal use, accident or improper maintenance.

All warranty coverage is void if this appliance is ever used for other than private household purposes.

**This warranty covers ONLY defects in material and workmanship, and will NOT pay for:**

1. Expendable items that can wear out from normal use within the warranty period, including but not limited to batteries, screw-in base light bulbs and surface coatings or finishes.
2. A service technician to clean or maintain this appliance, or to instruct the user in correct appliance installation, operation and maintenance.
3. Service calls to correct appliance installation not performed by Sears authorized service agents, or to repair problems with house fuses, circuit breakers, house wiring, and plumbing or gas supply systems resulting from such installation.
4. Damage to or failure of this appliance resulting from installation not performed by Sears authorized service agents, including installation that was not in accord with electrical, gas or plumbing codes.
5. Damage to or failure of this appliance, including discoloration or surface rust, if it is not correctly operated and maintained according to all supplied instructions.
6. Damage to or failure of this appliance, including discoloration or surface rust, resulting from accident, alteration, abuse, misuse or use for other than its intended purpose.
7. Damage to or failure of this appliance, including discoloration or surface rust, caused by the use of detergents, cleaners, chemicals or utensils other than those recommended in all instructions supplied with the product.
8. Damage to or failure of this appliance resulting from natural or other catastrophe, such as flood, fire or storm.
9. Damage to or failure of parts or systems resulting from unauthorized modifications made to this appliance.
10. Service to an appliance if the model and serial plate is missing, altered, or cannot easily be determined to have the appropriate certification logo.

### **Disclaimer of implied warranties; limitation of remedies**

Customer's sole and exclusive remedy under this limited warranty shall be product repair or replacement as provided herein. Implied warranties, including warranties of merchantability or fitness for a particular purpose, are limited to one year on the appliance and five years on the burners, or the shortest period allowed by law. Seller shall not be liable for incidental or consequential damages. Some states and provinces do not allow the exclusion or limitation of incidental or consequential damages, or limitation on the duration of implied warranties of merchantability or fitness, so these exclusions or limitations may not apply to you.

This warranty applies only while this appliance is used in the United States.

This warranty gives you specific legal rights, and you may also have other rights which vary from state to state.



## USE AND CARE



# DANGER



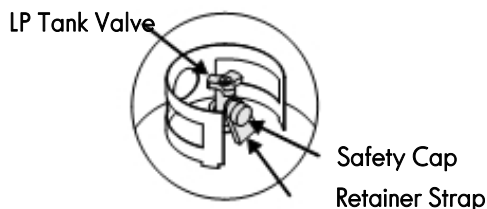
- **NEVER** store a spare LP cylinder under or near the appliance or in an enclosed area.



- **Never fill a cylinder beyond 80% full.**
- **If the information in the two points above is not followed exactly, a fire causing death or serious injury may occur.**
- **An overfilled or improperly stored cylinder is a hazard due to possible gas release from the safety relief valve. This could cause an intense fire with risk of property damage, serious injury or death.**
- **If you see, smell or hear gas escaping, immediately get away from the LP cylinder and appliance and call your fire department.**

### LP Tank Removal, Transport And Storage

- Turn OFF all control knobs and LP tank valve. Turn coupling nut counterclockwise by hand only - do not use tools to disconnect. Lift LP tank wire upward off of LP tank collar, then lift LP tank up and off of support bracket. Install safety cap onto LP tank valve. Always use cap and strap supplied with valve. **Failure to use safety cap as directed may result in serious personal injury and/or property damage.**



- A disconnected LP tank in storage or being transported must have a safety cap installed (as shown). Do not store an LP tank in enclosed spaces such as a carport, garage, porch, covered patio or other building. Never leave an LP tank inside a vehicle which may become overheated by the sun.
- Do not store an LP tank in an area where children play.

### LP Cylinder

- The LP cylinder used with your grill must meet the following requirements:
- Use LP cylinders only with these required measurements: 12" (30.5cm) (diameter) x 18" (45.7 cm) (tall) with 20 lb. (9 kg.) Capacity maximum.
- LP cylinders must be constructed and marked in accordance with specifications for LP cylinders of the U.S. Department of Transportation (DOT) or for Canada, CAN/CSA-B339, cylinders, spheres and tubes for transportation of dangerous goods. Transport Canada (TC). See LP cylinder collar for marking.
- LP cylinder valve must have:
  - Type 1 outlet compatible with regulator or grill.
  - Safety relief valve.
  - UL listed Overfill Protection Device (OPD). This OPD safety feature is identified by a unique triangular hand wheel. **Use only LP cylinders equipped with this type of valve.**
- LP cylinder must be arranged for vapor withdrawal and include collar to protect LP cylinder valve. Always keep LP cylinders in upright position during use, transit or storage.



OPD Hand Wheel



LP cylinder in upright position for vapor withdrawal

### LP (Liquefied Petroleum Gas)

- LP gas is nontoxic, odorless and colorless when produced. **For Your Safety**, LP gas has been given an odor (similar to rotten cabbage) so that it can be smelled.
- LP gas is highly flammable and may ignite unexpectedly when mixed with air.

### LP Cylinder Filling

- Use only licensed and experienced dealers.
- LP dealer **must purge new cylinder** before filling.
- Dealer should **NEVER** fill LP cylinder more than 80% of LP cylinder volume. Volume of propane in cylinder will vary by temperature.
- A frosty regulator indicates gas overfill. Immediately close LP cylinder valve and call local LP gas dealer for assistance.
- Do not release liquid propane (LP) gas into the atmosphere. This is a hazardous practice.
- To remove gas from LP cylinder, contact an LP dealer or call a local fire department for assistance. Check the telephone directory under "Gas Companies" for nearest certified LP dealers.

## LP Tank Exchange

- Many retailers that sell grills offer you the option of replacing your empty LP tank through an exchange service. Use only those reputable exchange companies that inspect, precision fill, test and certify their cylinders. **Exchange your tank only for an OPD safety feature-equipped tank as described in the "LP Tank" section of this manual.**
- Always keep new and exchanged LP tanks in upright position during use, transit or storage.
- **Leak test new and exchanged LP tanks BEFORE connecting to grill.**

## LP Tank Leak Test

### For your safety

- Leak test must be repeated each time LP tank is exchanged or refilled.
- Do not smoke during leak test.
- Do not use an open flame to check for gas leaks.
- Grill must be leak tested outdoors in a well-ventilated area, away from ignition sources such as gas fired or electrical appliances. During leak test, keep grill away from open flames or sparks.
- Use a clean paintbrush and a 50/50 mild soap and water solution. Brush soapy solution onto areas indicated by arrows in figure below. Leaks are indicated by growing bubbles.

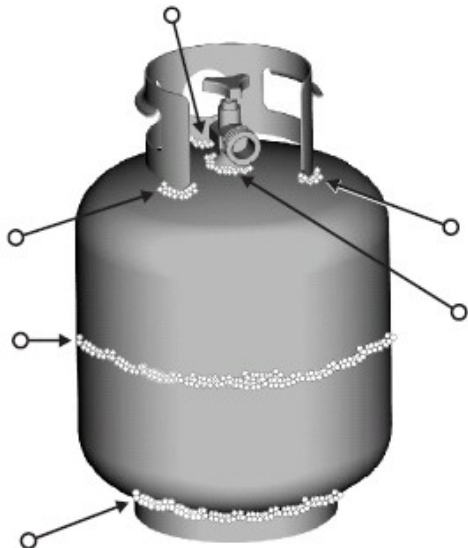


# WARNING



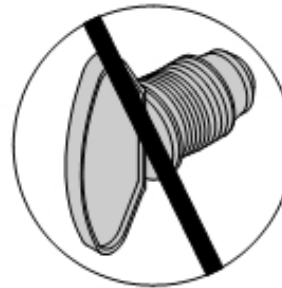
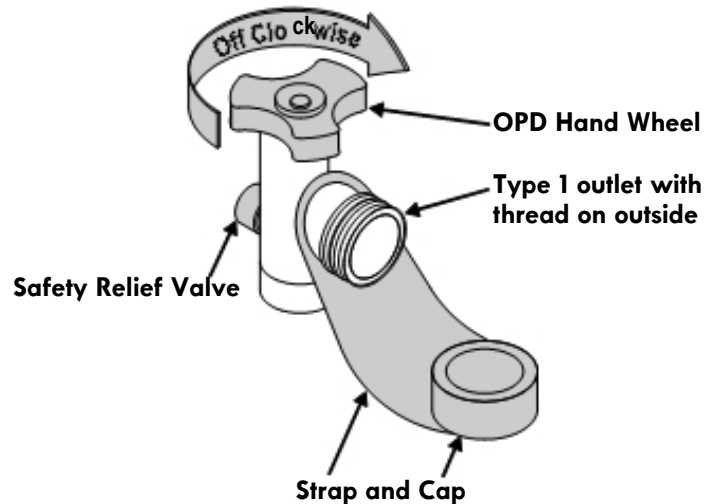
If "growing" bubbles appear do not use or move the LP tank. Contact an LP gas supplier or your fire department!

- ▲ Do not use household cleaning agents. Damage to the gas train components (valve/hose/regulator) can result.



## Connecting Regulator To The LP Tank

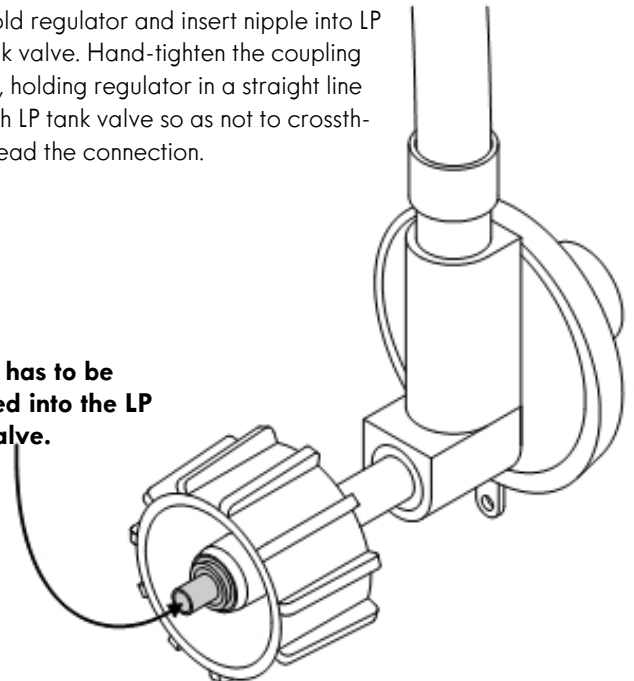
1. LP tank must be properly secured onto grill. (Refer to assembly section.)
2. Turn all control knobs to the OFF position.
3. Turn LP tank OFF by turning OPD hand wheel clockwise to a full stop.
4. Remove the protective cap from LP tank valve. Always use cap and strap supplied with valve.

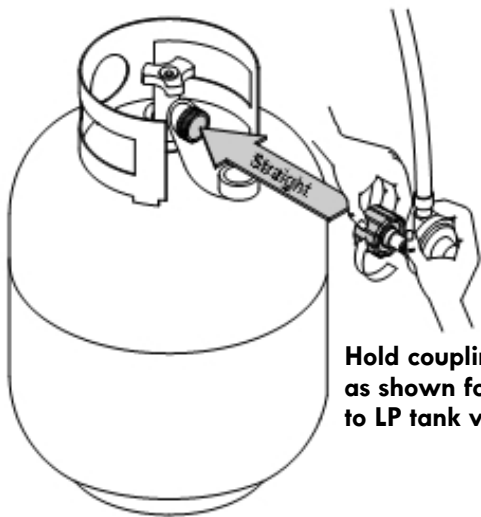


**Do not insert a POL transport plug (plastic part with external threads) into the type 1 valve outlet. It will defeat the Safety Relief Valve feature.**

5. Hold regulator and insert nipple into LP tank valve. Hand-tighten the coupling nut, holding regulator in a straight line with LP tank valve so as not to cross-thread the connection.

**Nipple has to be centered into the LP tank valve.**





**Hold coupling nut and regulator as shown for proper connection to LP tank valve.**

6. Turn the coupling nut clockwise and tighten to a full stop. The regulator will seal on the back-check feature in the LP tank valve, resulting in some resistance. **An additional one-half to three-quarters turn is required to complete the connection. Tighten by hand only - do not use tools.**

**NOTE:**

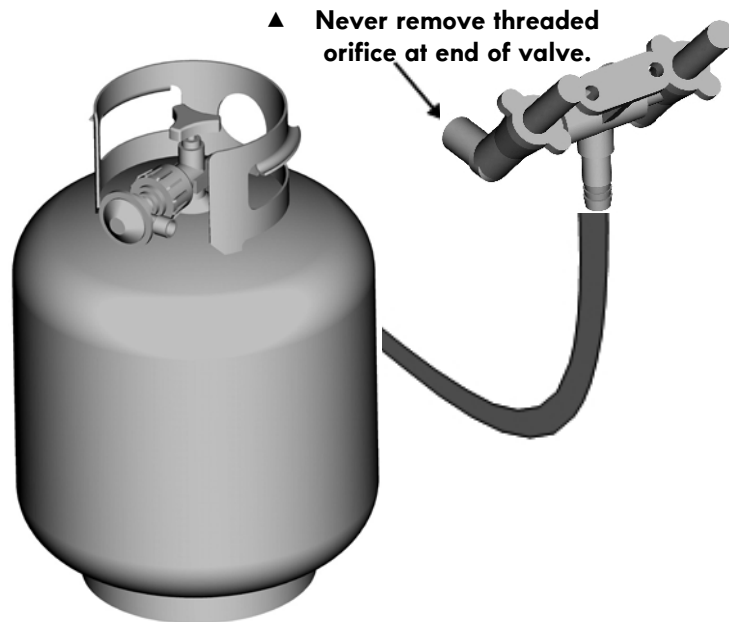
If you cannot complete the connection, disconnect regulator and repeat steps 5 and 6. If you are still unable to complete the connection, do not use this regulator! Call 1-844-553-6667 for an identical replacement part.

	<b>DANGER</b>	
<ul style="list-style-type: none"> <li>Do not insert any tool or foreign object into the valve outlet or safety relief valve. You may damage the valve and cause a leak. Leaking propane may result in explosion, fire, severe personal injury, or death.</li> </ul>		

	<b>WARNING</b>	
<ul style="list-style-type: none"> <li>Outdoor gas appliance is not intended to be installed in or on a boat.</li> <li>Outdoor gas appliance is not intended to be installed in or on an RV.</li> <li>Never attempt to attach this grill to the self-contained LP gas system of a camper trailer or motor home.</li> <li>Do not use grill until leak-tested.</li> <li>If a leak is detected at any time, STOP and call the fire department.</li> <li>If you cannot stop a gas leak, immediately close LP cylinder valve and call LP gas supplier or your fire department !</li> </ul>		

**Leak Testing Valves, Hose and Regulator**

1. Turn all grill control knobs to OFF.
2. Be sure regulator is tightly connected to LP tank.
3. Completely open LP tank valve by turning OPD hand wheel counterclockwise. If you hear a rushing sound, turn gas off immediately. There is a major leak at the connection. **Correct before proceeding** by calling Sears for replacement parts at 1-844-553-6667.
4. Brush soapy solution onto areas where bubbles are shown in picture below:



5. If "growing" bubbles appear, there is a leak. Close LP tank valve immediately and retighten connections. If leaks cannot be stopped do not try to repair. Call for replacement parts at 1-888-287-0735.

6. Always close LP tank valve after performing leak test by turning hand wheel clockwise.

 **WARNING** 

**For Safe Use of Your Grill and to Avoid Serious Injury:**

- Do not let children operate or play near grill.
- Keep grill area clear and free from materials that burn.
- Do not block holes in sides or back of grill.
- Use grill only in well-ventilated space. NEVER use in enclosed space such as carport, garage, porch, covered patio, or under an overhead structure of any kind.
- Do not use charcoal or ceramic briquets in a gas grill.
- Use grill at least 3 ft. from any wall or surface. Maintain 10 ft. clearance to objects that can catch fire, or to sources of ignition etc.



- **Apartment Dwellers:** Check with management to learn the requirements and fire codes for using an LP gas grill in your apartment complex. If allowed, use outside on the ground floor with a three (3) foot clearance from walls or rails. Do not use on or under balconies.
- **NEVER attempt to light burner with lid closed. A buildup of non-ignited gas inside a closed grill is hazardous.**
- **Never operate grill with LP cylinder out of correct position specified in assembly instructions.**
- **Always close LP cylinder valve and remove coupling nut before moving LP cylinder from specified operation position.**

**Safety Tips**

- ▲ Before opening LP cylinder valve, check the coupling nut for tightness.
- ▲ When grill is not in use, turn off all control knobs and LP cylinder valve.
- ▲ Never move grill while in operation or still hot.
- ▲ Use long-handled barbecue utensils and oven mitts to avoid burns and splatters.
- ▲ Maximum load for side shelf is 10 lbs.
- ▲ The drip tray must be inserted into grill and emptied after each use. Do not remove drip tray until grill has completely cooled.
- ▲ Clean grill often, preferably after each cookout. If a bristle brush is used to clean any of the grill cooking surfaces, ensure no loose bristles remain on cooking surfaces prior to grilling. It is not recommended to clean cooking surfaces while grill is hot.
- ▲ If you notice drip or other hot material dripping from grill, determine the cause, correct it, then clean and inspect valve. Keep ventilation openings in cylinder enclosure (grill cart) free and clear of debris.
- ▲ Do not store objects or materials inside the grill cart enclosure that would block the flow of combustion air to the underside of either the control panel or the firebox bowl.
- ▲ The regulator may make a humming or whistling noise during operation. This will not affect safety or use of grill.
- ▲ If you have a grill problem see the "Troubleshooting Section".
- ▲ If the regulator frosts, turn off grill and LP cylinder valve immediately. This indicates a problem with the cylinder and it should not be used on any product. Return to supplier!

 **CAUTION** 

- Putting out drip fires by closing the lid is not possible. Grills are well ventilated for safety reasons.
- Do not use water on a drip fire. Personal injury may result. If a drip fire develops, turn knobs and LP cylinder off.
- Do not leave grill unattended while preheating or burning off food residue on HI. If grill has not been regularly cleaned, a drip fire can occur that may damage the product.

**Electronic Ignition Lighting Instructions**

1. Open lid during lighting.
  2. Turn on valve from source or tank.
  3. To ignite, turn Ignition Burner knob to HI.
  4. Push and hold electronic ignition button.
  5. If ignition does not occur in 5 seconds, turn the burner controls OFF, wait 5 minutes, and repeat the lighting procedure.
  6. To ignite other main burners after Ignition Burner is lit, turn a control knob that is adjacent to a lit burner to HI. Ignite far left burner last.
  7. Once burners are lit, adjust knobs to desired flame setting. To extinguish an individual burner, turn its knob to OFF.
  8. To ignite the Side Burner, follow steps 3-5 using the Side Burner knob.
- If igniter does not work, follow Match Lighting instructions.



## WARNING



Turn controls and gas source or tank OFF when not in use.



## CAUTION

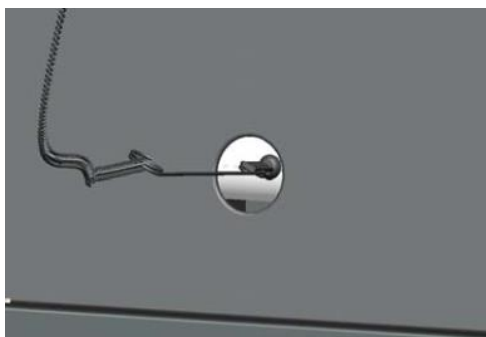


If ignition does NOT occur in 5 seconds, turn the burner controls OFF, wait 5 minutes and repeat the lighting procedure. If the burner does not ignite with the valve open, gas will continue to flow out of the burner and could accidentally ignite with risk of injury.

### Match Lighting Instructions

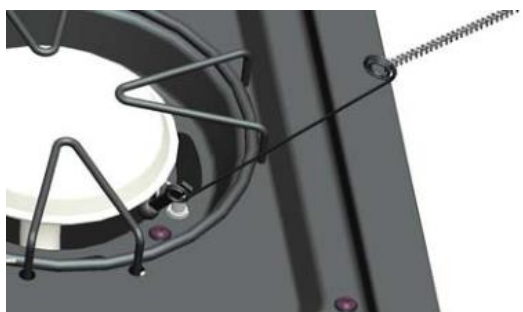
▲ Do not lean over grill while lighting.

1. Open lid during lighting.
2. Place match into match holder (hanging on the left front leg inside cabinet).
3. Light match and insert match holder through lighting hole in left side of firebox. Align lit match with first burner on left.
4. Turn knob of first left burner to HI position. Be sure burner lights and stays lit. Withdraw match holder from firebox and extinguish match.
5. To light other burners, turn each knob in succession to HI.
6. Once burners are lit, adjust knobs to desired flame setting. To extinguish an individual burner, turn its knob to OFF.



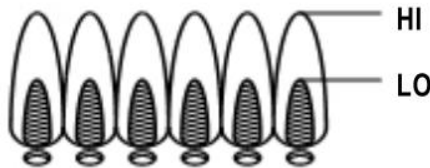
### Side burner Match Lighting

1. Open side burner lid. Turn on gas at LP cylinder.
2. Place lit match near burner.
3. Turn side burner knob to HI. Be sure burner lights and stays lit



### Burner Flame Check

• Remove cooking grates and flame tamers. Light burners, rotate knobs from HIGH to LOW. You should see a smaller flame in LOW position than seen on HI. Always check flame prior to each use. If only low flame is seen refer to "Sudden drop or low flame" in the Troubleshooting Section.



### Turning Grill Off

• Turn all knobs to OFF position. Turn LP cylinder off. When you are finished grilling, raise the grill lid while allowing the grill to fully cool. If the grill lid is closed during grill cooling, condensation may occur on interior grill surfaces and possibly cause them to rust.

### Igniter Check

• Turn gas off at LP cylinder. Press and hold electronic igniter button. "Click" should be heard and spark seen each time between collector box or burner and electrode. See "Troubleshooting" if no click or spark.

### Valve Check

• Important: Make sure gas is off at LP cylinder before checking valves. Knobs lock in OFF position. To check valves, first push in knobs and release, knobs should spring back. If knobs do not spring back, replace valve assembly before using grill. Turn knobs to LOW position then turn back to OFF position. Valves should turn smoothly.

### Hose Check

• Before each use, check to see if hoses are cut or worn. Replace damaged hoses before using grill. Use only valve/hose/regulator as specified in the parts list of this Use & Care Guide.

### Cast Iron Grate Seasoning (if applicable)

**First Use** – Before first use, season cast iron grates as follows: Rinse cast iron grates with hot water. Do not use soap. Dry grates thoroughly with a cloth towel. Coat grates with vegetable oil or non-stick cooking spray. Place grates in grill. Start grill and slowly raise temperature to 350° - 400° F. Heat grates for one hour. Turn off grill and allow grates to cool completely before using to cook.

**Cleaning** – Do not use soap when cleaning grates. Clean grates with a stiff brush and hot water. Dry grates thoroughly with a cloth towel.

**Re-seasoning** – Re-season grates when rust spots appear on grate surface. When re-seasoning grates, soap may be used with hot water to clean grates. After cleaning, dry grates thoroughly with a cloth towel. Coat grates with vegetable oil or non-stick cooking spray. Place grates in grill. Start grill and slowly raise temperature to 350° - 400° F. Heat grates for one hour. Turn off grill and allow grates to cool completely before using again.

### General Grill Cleaning

- Do not mistake brown or black accumulation of grease and smoke for paint. Interiors of gas grills are not painted at the factory (**and should never be painted**). Apply a strong solution of detergent and water or use a grill cleaner with scrub brush on insides of grill lid and bottom. Rinse and allow to completely air dry. **Do not apply a caustic grill/oven cleaner to painted surfaces.**
- **Porcelain surfaces:** Because of glass-like composition, most residue can be wiped away with baking soda/water solution or specially formulated cleaner. Use nonabrasive scouring powder for stubborn stains.



- **Painted surfaces:** Wash with mild detergent or nonabrasive cleaner and warm soapy water. Wipe dry with a soft nonabrasive cloth.
- **Stainless steel surfaces:** To maintain your grill's high quality appearance, wash with mild detergent and warm soapy water and wipe dry with a soft cloth after each use. Baked-on drip deposits may require the use of an abrasive plastic cleaning pad. Use only in direction of brushed finish to avoid damage. Do not use abrasive pad on areas with graphics.
- **Cooking surfaces:** If a bristle brush is used to clean any of the grill cooking surfaces, ensure no loose bristles remain on cooking surfaces prior to grilling. It is not recommended to clean cooking surfaces while grill is hot.
- **Drip Tray and Cup:** Regularly clean the grease drippings from the Drip Tray and Drip Cup. When the grill has completely cooled down after use, remove the cup from the tray and slide the tray out of the grill. Clean the grease drippings from the cup and tray surfaces by washing with mild detergent or nonabrasive cleaner and warm soapy water. Wipe dry with a soft nonabrasive cloth. Slide the tray back into the grill and replace the cup back into the tray before using the grill again.

## Storing Your Grill

- Clean cooking grates.
- Store in dry location.
- When LP cylinder is connected to grill, store outdoors in a well-ventilated space and out of reach of children.
- Cover grill if stored outdoors. Choose from a variety of grill covers offered by manufacturer once available.
- Store grill indoors ONLY if LP cylinder is turned off and Disconnected, remove from grill and stored outdoors.
- When removing grill from storage, follow "Cleaning the Burner Assembly" instructions before starting grill.

## Cleaning the Burner Assembly

Follow these instructions to clean and/or replace parts of burner assembly or if you have trouble igniting grill.

1. Turn gas off at control knobs and LP cylinder
2. Remove cooking grates and heat diffusers.
3. Remove cotter pin from rear of burners. (See Fig A. next Page)
4. Carefully lift each burner up and away from valve openings.

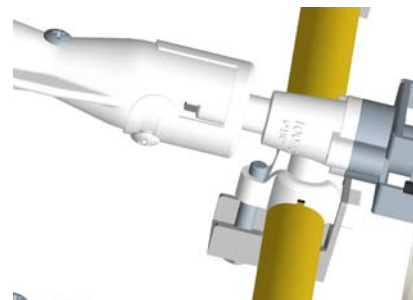
We suggest three ways to clean the burner tubes. Use the one easiest for you.

- (A) Bend a stiff wire (a light weight coat hanger works well) into a small hook. Run the hook through each burner tube several times.



- (B) Use a narrow bottle brush with a flexible handle (do not use a brass wire brush), run the brush through each burner tube several times.
  - (C) Wear eye protection: Use an air hose to force air into the burner tube and out the burner ports. Check each port to make sure air comes out each hole.
5. Wire brush entire outer surface of burner to remove food residue and dirt.
  6. Clean any blocked ports with a stiff wire such as an open paper clip.
  7. Check burner for damage, due to normal wear and corrosion some holes may become enlarged. If any large cracks or holes are found replace burner.

**VERY IMPORTANT:** Burner tubes must reengage valve openings. See illustrations below.

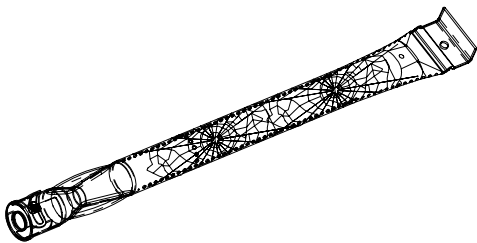


8. Carefully replace burners.
9. Attach burners to brackets with cotter pin. (See Fig B. next Page) Replace heat diffusers and cooking grates.

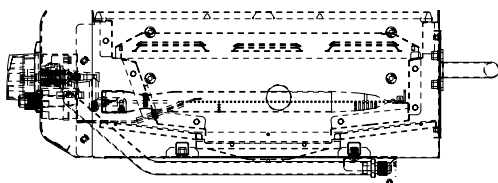


# SPIDER ALERT!

**IMPORTANT:** Always ensure that the venturi burner tubes are clean. A venturi burner tube has a narrow area in which spiders tend to build nests.

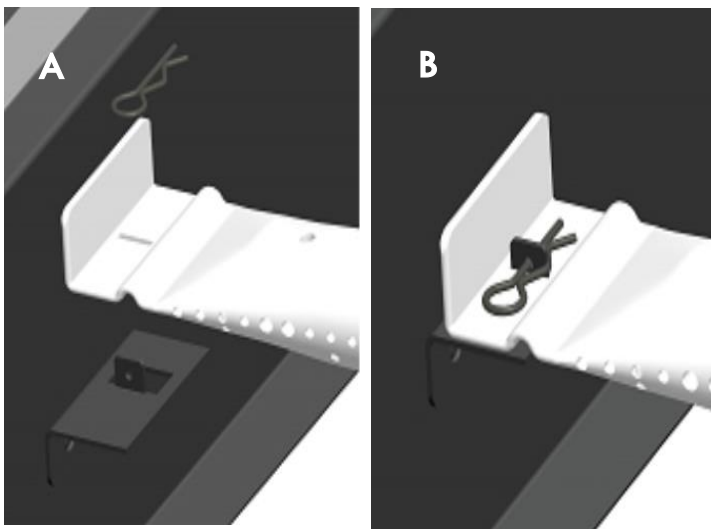


If you notice that your grill is getting hard to light or that the flame isn't as strong as it should be, take the time to check and clean the venturi's.



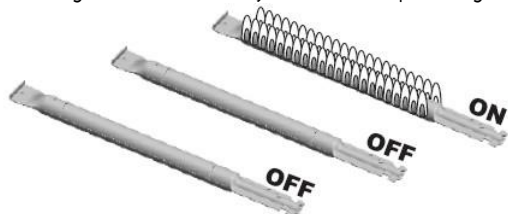
Spiders or small insects have been known to create "flashback" problems. The spiders spin webs, build nests and lay eggs in the grill's venturi tube(s) obstructing the flow of gas to the burner. The backed-up gas can ignite in the venturi behind the control panel. This is known as a flashback and it can damage your grill and even cause injury.

To prevent flashbacks and ensure good performance the burner and venturi assembly should be removed from the grill and cleaned before use whenever the grill has been idle for an extended period.



### Indirect Cooking

Poultry and large cuts of meat cook slowly to perfection on the grill by indirect heat. Place food over unlit burner(s); the heat from lit burners circulates gently throughout the grill, cooking meat or poultry without the touch of a direct flame. This method greatly reduces flare-ups when cooking extra fatty cuts because there is no direct flame to ignite the fats and juices that drip during cooking.

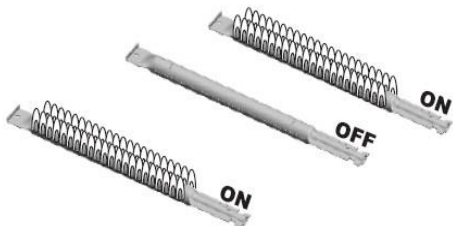


### 1 Burner Cooking

Cook with direct or indirect heat.  
Best for smaller meals or foods.  
Consumes less fuel.

### Indirect Cooking Instructions

- Always cook with the lid closed.
- Once burners are lit, extinguish an individual burner by turning its knob to OFF.
- Due to weather conditions, cooking times may vary. During cold and windy conditions the temperature setting may need to be increased to insure sufficient cooking heat.
- Place food over unlit burner(s).



### 2 Burner Cooking

Great indirect cooking on low.  
Produces slow, even heating.  
Ideal for slow roasting and baking.

### Food Safety

Food safety is a very important part of enjoying the outdoor cooking experience. To keep food safe from harmful bacteria, follow these four basic steps:

**Clean:** Wash hands, utensils, and surfaces with hot soapy water before and after handling raw meat and poultry.

**Separate:** Separate raw meats and poultry from ready-to-eat foods to avoid cross contamination. Use a clean platter and utensils when removing cooked foods.

**Cook:** Cook meat and poultry thoroughly to kill bacteria. Use a thermometer to ensure proper internal food temperatures.

**Chill:** Refrigerate prepared foods and leftovers promptly. **For more information call: USDA Meat and Poultry Hotline at 1-800-535-4555 (In Washington, DC (202) 720-3333, 10:00 am 4:00 pm EST).**

### How To Tell If Meat Is Grilled Thoroughly

- Meat and poultry cooked on a grill often browns very fast on the outside. Use a meat thermometer to be sure food has reached a safe internal temperature, and cut into food to check for visual signs of doneness.
- Whole poultry should reach 180° F; breasts, 170° F. Juices should run clear and flesh should not be pink.
- Hamburgers made of any ground meat or poultry should reach 160° F, and be brown in the middle with no pink juices. Beef, veal and lamb steaks, roasts and chops can be cooked to 145° F. All cuts of pork should reach 160° F.
- NEVER partially grill meat or poultry and finish cooking later. Cook food completely to destroy harmful bacteria.
- When reheating takeout foods or fully cooked meats like hot dogs, grill to 165° F, or until steaming hot.

**WARNING:** To ensure that it is safe to eat, food must be cooked to the minimum internal temperatures listed in the table below.

USDA* Recommended Safe Minimum Internal Temperatures	
Beef, Veal, Lamb and Pork – Whole Cuts**	145° F
Fish	145° F
Beef, Veal, Lamb and Pork – Ground	160° F
Egg Dishes	160° F
Turkey, Chicken & Duck – Whole, Pieces & Ground	165° F

\* United States Department of Agriculture

\*\*Allow meat to rest three minutes before carving or consuming.

## PARTS LIST

Key	Description	Qty	Part Number	Key	Description	Qty	Part Number
1	Side Burner Lid	1	40800064	35	Back Panel	1	40700080
2	Rotate Rod, Side Burner Lid	2	40800118	36	Tank Baffle	1	40800090
3	Side Burner Grid	1	40800119	37	Left Frame	1	40700052
4	Side Burner Base	1	40800063	38	Fascia, Left Side Shelf	1	40900040
5	Igniter Wire, Side Burner	1	40800120	39	Left Side Shelf	1	40900143
6	Side Burner	1	40800121	40	Drip Cup	1	40800026
7	Right Side Shelf	1	40900145	41	Drip Cup Clip	1	40800131
8	Side Shelf Support Angle Bar	2	40900109	42	Fire Box	1	61100008
9	Fascia, Right Side Shelf	1	40900046	43	Silicone Rubber Bumper	2	50300205
10	Electronic Ignition Module	1	40800122	44	Logo	1	40800106
11	Control Panel	1	61100017	45	Temperature Gauge	1	40900218
12	Gas Valve, Main Burner	6	40900205	46	Rotate Rod, Lid	2	50300207
13	Side Burner Hose	1	40900210	47	Lid	1	61100004
14	Gas Valve, Side Burner	1	40900209	48	Silicone Rubber Bumper	2	40700103
15	Manifold, Main Burner	1	61100021	49	Insulation Space, Lid	2	40700022
16	Bezel, Control Knob	7	40900036	50	Bezel, Lid Handle	2	40900013
17	Control Knob	7	40900206	51	Lid Handle	1	61200011
18	Regulator	1	40800115	52	Warming Rack	1	61100047
20	Contter Pin	11	110050	53	Cooking Grate	3	40800110
19	Gas Tank Holder	1	40800130	54	Heat Diffuser	6	40800023
21	Left Cart Bottom Panel	1	61100026	55	Flame Carry Over Tube	5	40800022
22	Door Magnet Box	2	40700111	56	Main Burner	6	40700125
23	Door Magnet	1	40700110	57	Drip Tray	1	61100014
24	Caster	2	40700101	58	Igniter Wire, Main Burner	1	61200206
25	Caster With Brake	2	40700100	59	Back Rail	1	61100033
26	Hold Fixed Pin	1	40800134				
27	Side Panel	1	40700059				
28	Right Frame	1	40700071				
29	Match Holder	1	40800128				
30	Match Holder Bracket	1	40800129				
31	Right Door	1	61100044				
32	Door Handle	2	61200217				
33	Left Door	1	61100039				
34	Door Rail	1	61100035				

Not Pictured

Hardware Pack	1	61100060
Manual	1	61100101

If you are missing hardware or have damaged parts after unpacking grill, call 1-888-287-0735 for replacement.

To order replacement parts after using grill, call call 1-888-287-0735, M – F 8:00 – 5:00

PACIFIC

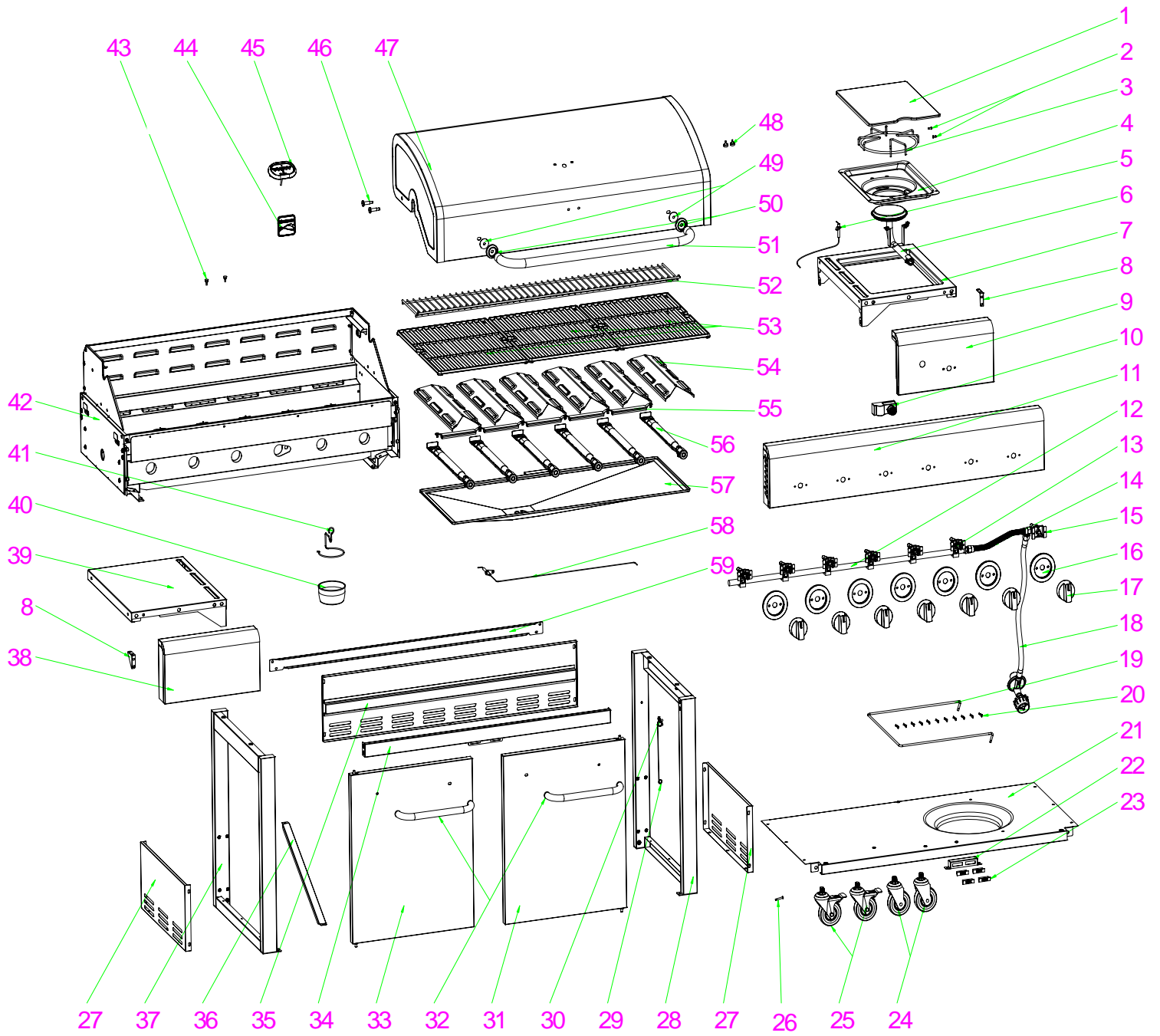
Or Visit us at [www.permasteel.net](http://www.permasteel.net)



**NOTE: Some grill parts shown in the assembly steps may differ slightly in appearance from Those on your particular grill model. However, the method of assembly remains the same.**

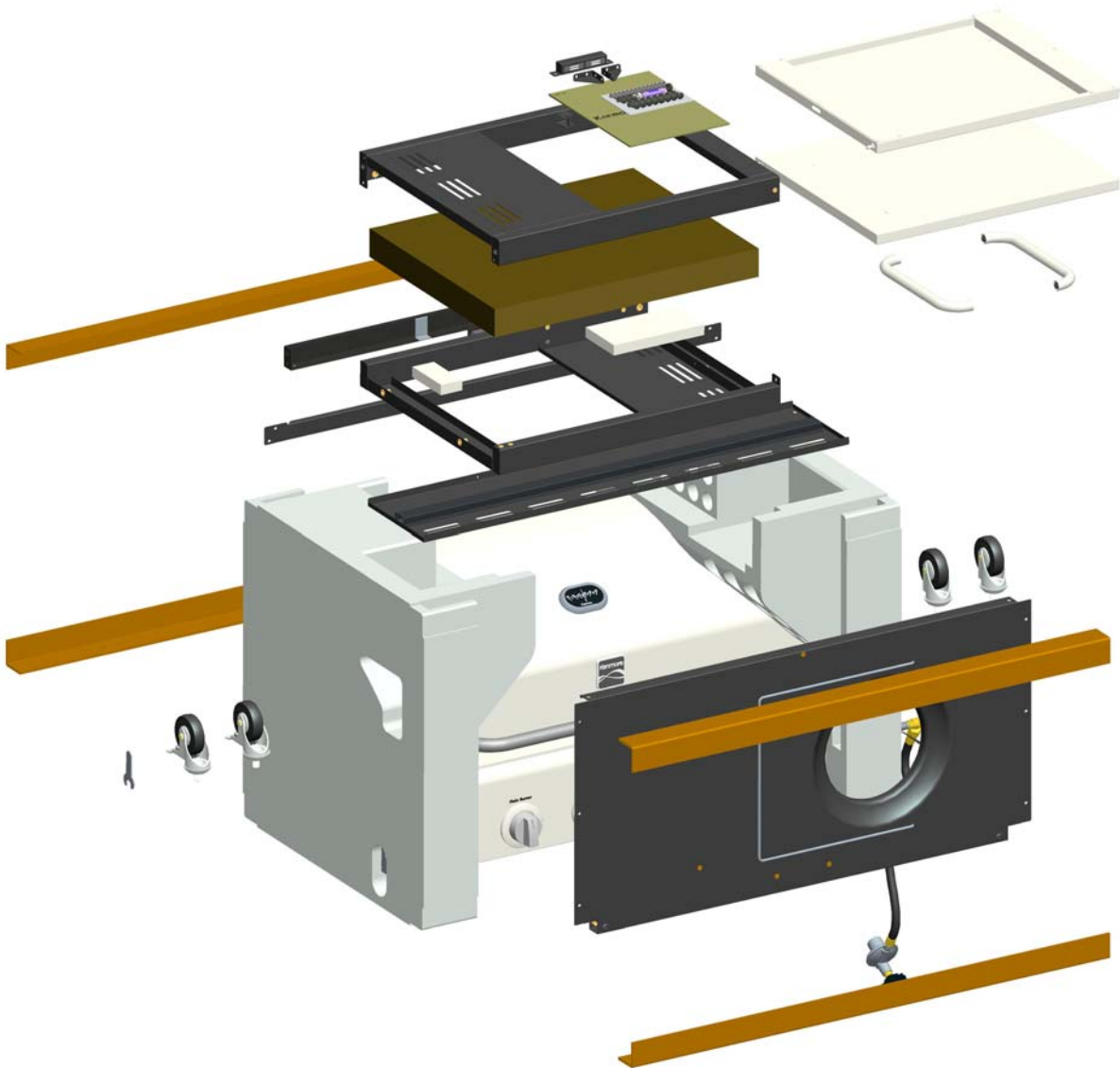


**DIAGRAM**



## BEFORE ASSEMBLY

**NOTICE:** Once you have unpacked the grill according to the STOP SHEET instructions, check all grill parts against the pictures on this and the following two pages. If any parts are missing or damaged, call 1-888-287-0735



0001

**BEFORE ASSEMBLY**



**BEFORE ASSEMBLY**

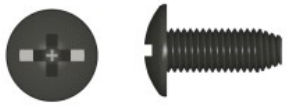



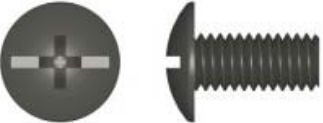



# ASSEMBLY

CAREFULLY READ AND PERFORM ALL ASSEMBLY INSTRUCTIONS ON THE FOLLOWING PAGES.

## Tools Required:

- Adjustable wrench (not provided)
- Screwdriver (not provided)
- 7/16" Combination wrench (not provided)
- The following hardware is provided in a blister pack for convenient use.

M4X10 screw Qty: 33 pcs 	AAA Battery Qty: 1 pc 
M5X10 screw Qty: 6 pcs 	M5 flat washer Qty: 4 pcs 
M6X13 screw Qty: 16 pcs 	M6 compression washer Qty: 8 pcs 

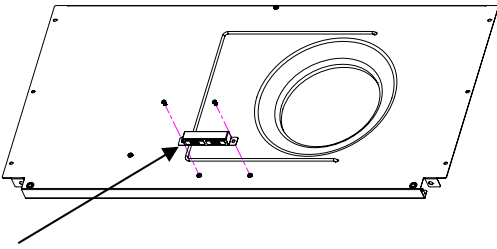
# 1

## Bottom Shelf

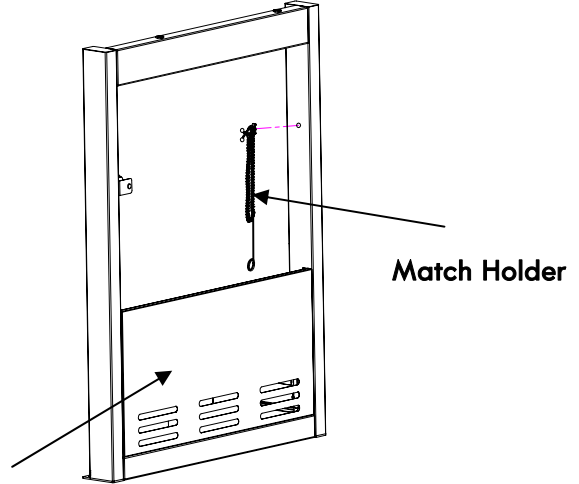
- Attach door magnets to bottom shelf with **(2) M4x10 screws**.
- Attach the match holder to the right panel assembly
- Attach sides of bottom shelf to left and right panel assemblies with **(6) M4x10 screws**. Do not fully tighten at this time. Cart will not be level. This will be corrected when the back panel is installed.



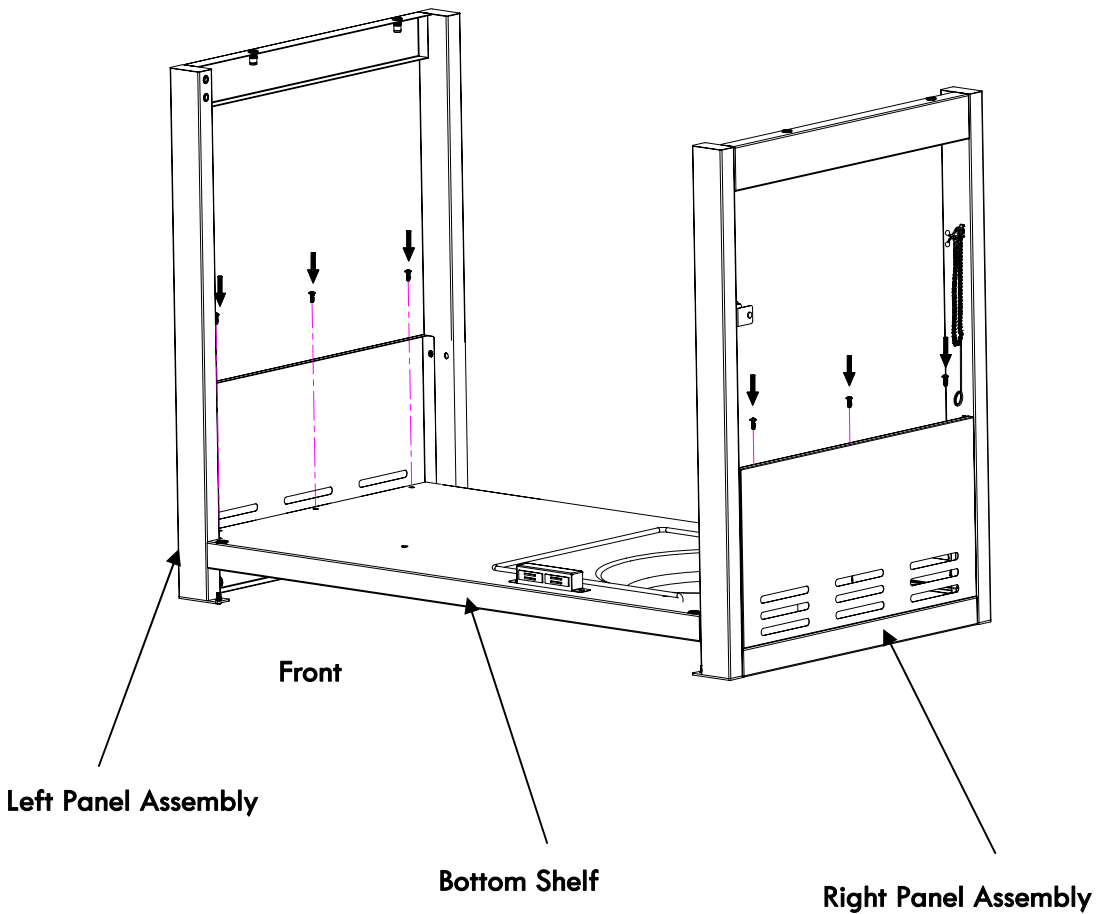
M4X10 screw Qty: 8pcs



Door Magnets



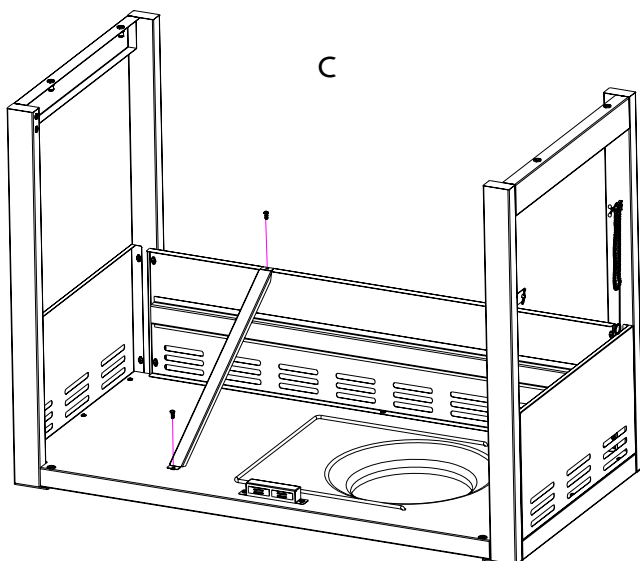
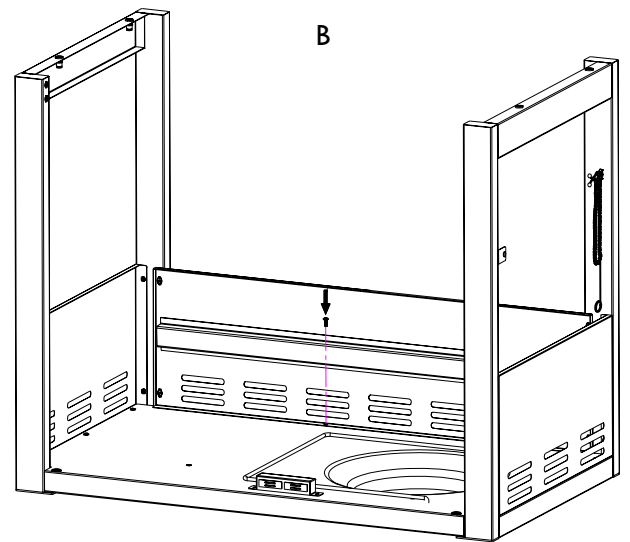
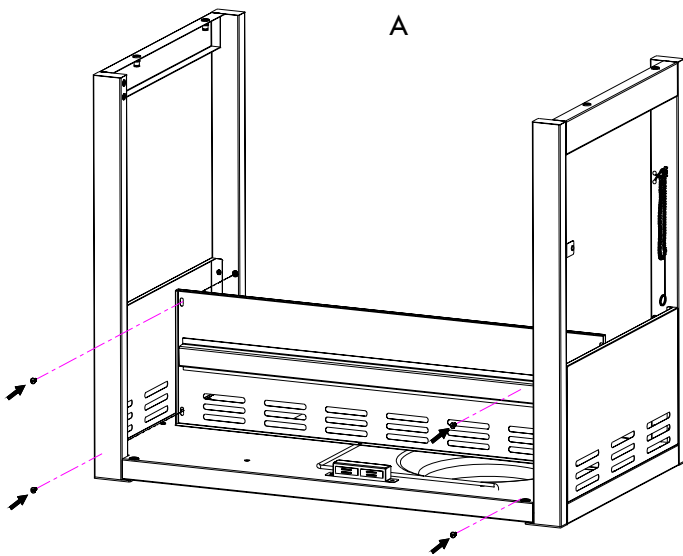
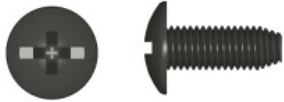
Right Side Panel



# 2

## Cart

- Attach back panel to the left and right panel assemblies with **(4) M4x10 screws**. (A)
- Attach back panel to bottom shelf with **(1) M4x10 screw**. (B)
- Attach tank baffle to front panels and bottom shelf with **(2) M4x10 screws**. (C)



# 3

## Casters to Cart

- Turn cart upside down. Align the bottom shelf side holes with leg holes.
- Attach sides of bottom shelf to four legs with **(4) M6x13 screws**. (A)
- Attach the two front leg ends to bottom shelf with **(2) M5x10 screws**. (A)
- Screw the casters into each leg bottom end. Note: The casters with brakes should be mounted on the back of bottom shelf. Tighten with caster wrench (provided with casters) counterclockwise. (B)
- Fully tighten all screws, top and bottom.

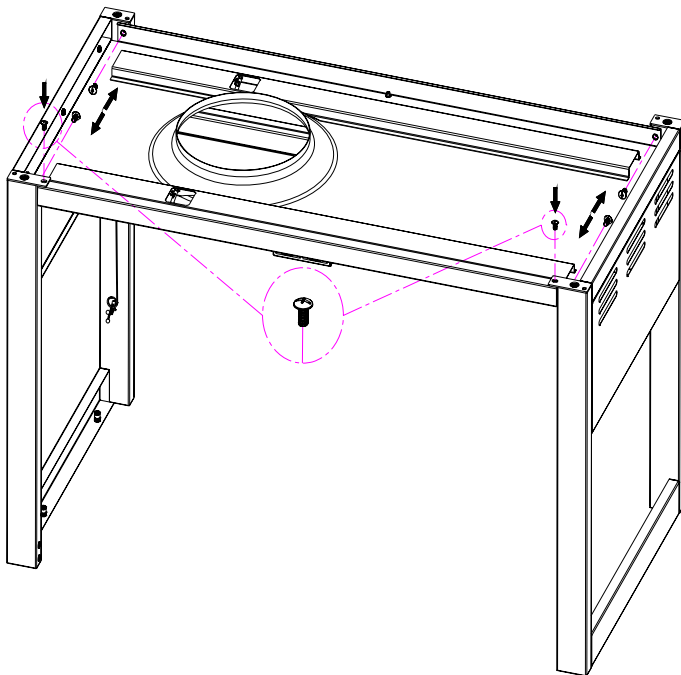


M5X10 screws Qty: 2 pcs

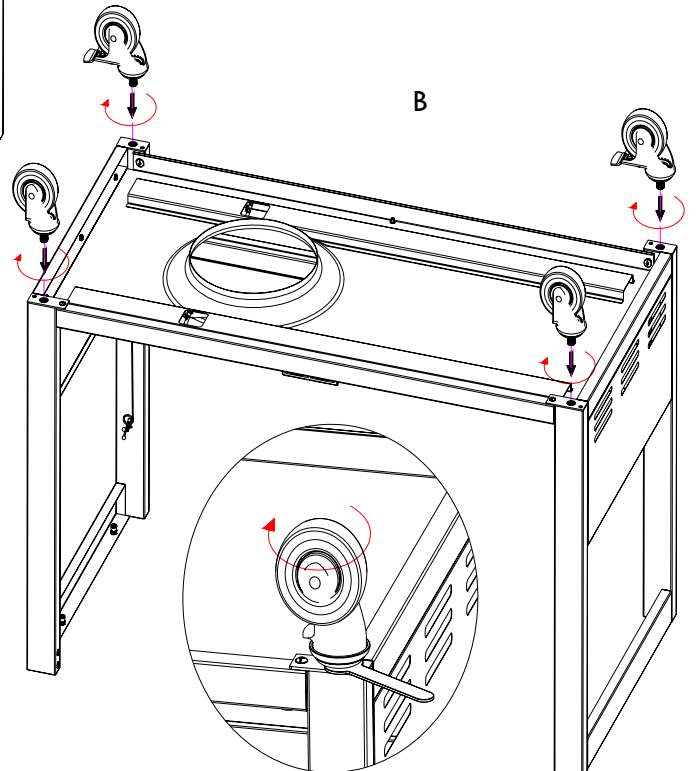


M6X13 screws Qty: 4 pcs

A



B

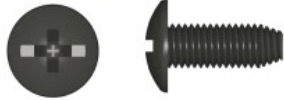




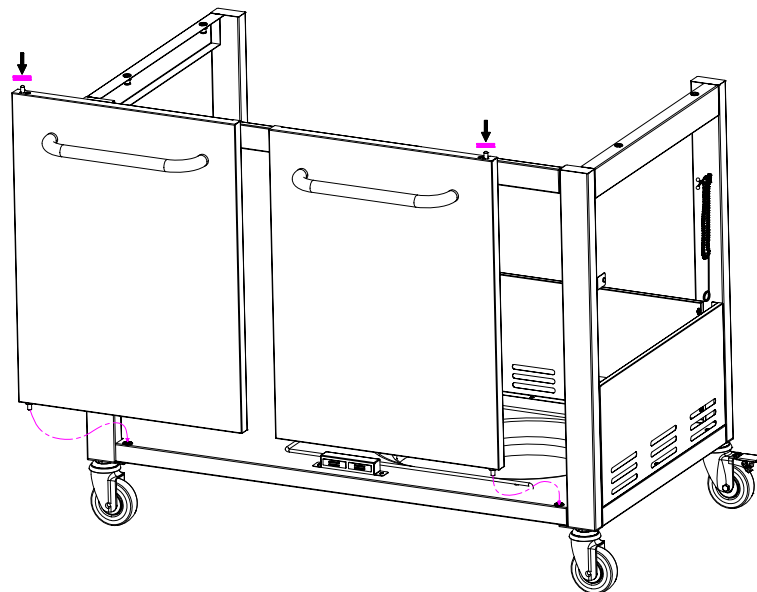
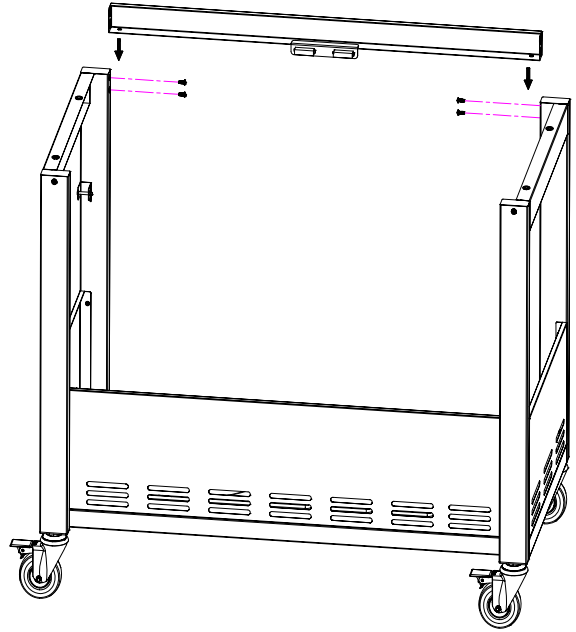
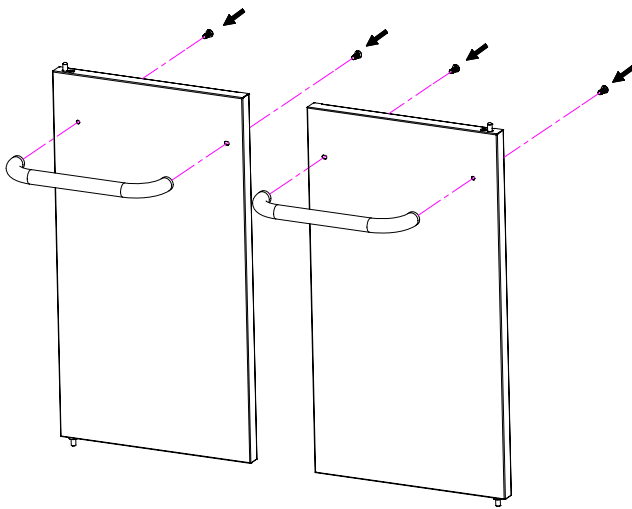
# 4

## Front Doors

- Stand cart upright.
- Align door bracket holes with holes on front legs. Attach door bracket to left and right panel assemblies with **(4) M4x10 screws**. Note: Attach bracket so that magnets are at bottom.
- Remove the screws pre-assembled to the door handle ends, and use them to attach handles to doors.
- Insert the lower door pin into the hole on the bottom shelf. Push down the upper door pin, align it beneath hole in door bracket, and release pin so that it inserts in hole.
- Repeat this for the other door.



M4X10 screws Qty: 4 pcs



# 5

## Grill Head to Cart

- This step requires two people to lift and position grill head onto cart.
- Remove the tie wraps securing regulator hose to underside of grill head. Pull hose and igniter wires out to side of grill head.
- Carefully lower the grill head onto the cart. Make sure the regulator hose and igniter wires are hanging outside the cart. Open lid and attach head to cart with **(4) M6x13 screws** and **M6 compression washers**.



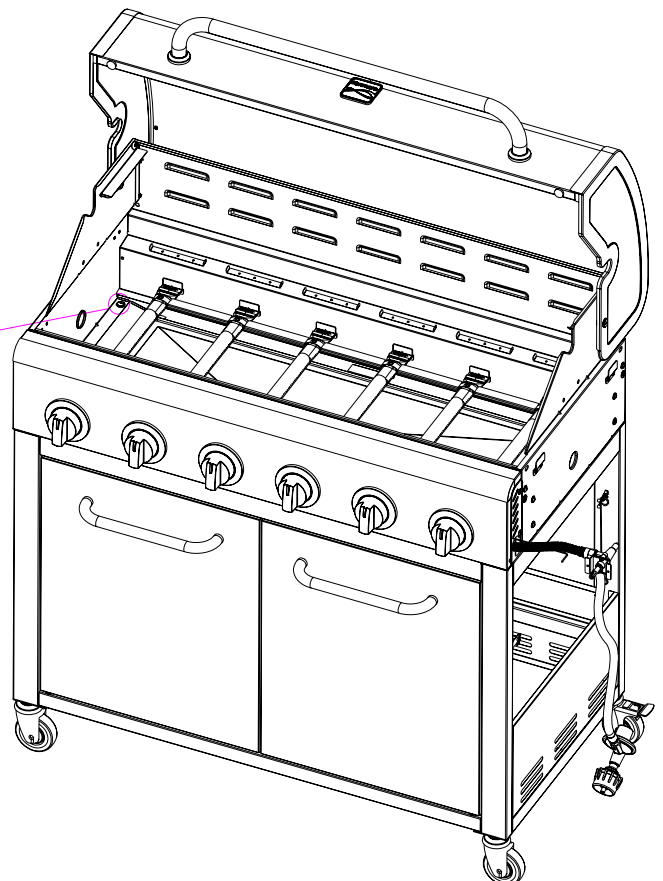
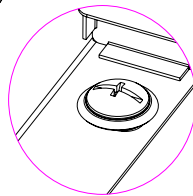
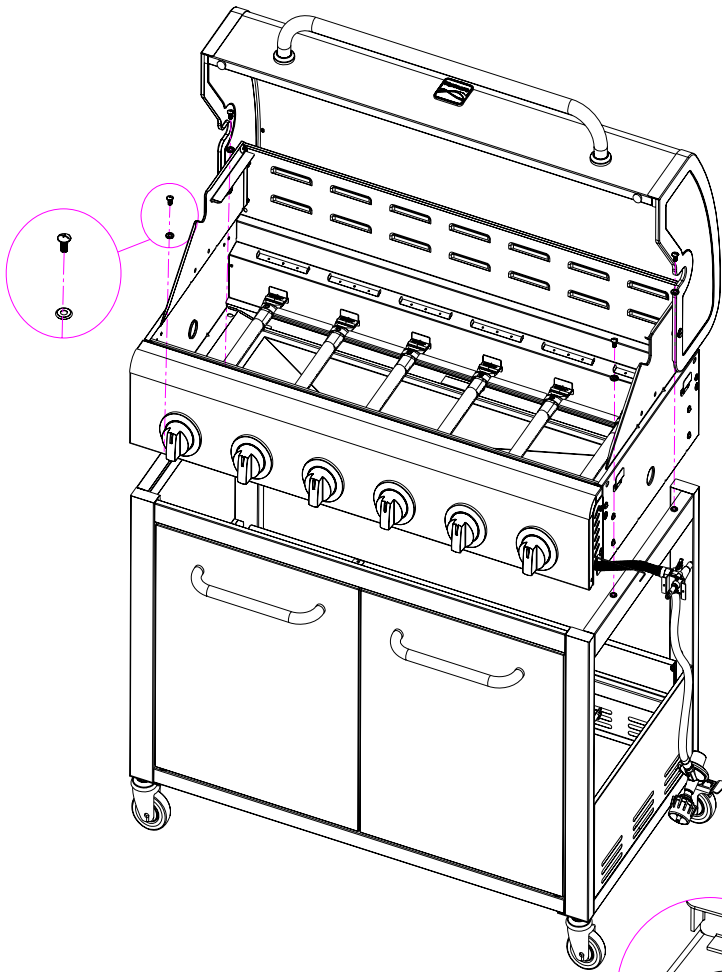
M6X13 screw



Qty: 4 pcs



M6 compression washer Qty: 4 pcs



# 6

## Left Side Shelf

- Attach fascia to left side shelf with (2) M5x10 screws and M5 flat washers. (A)
- Attach Side Shelf Support Angle Bar with (4) M4x10 screws. (B)
- Hang shelf onto brackets on left side of firebox.
- Attach shelf to firebox as follows:
  - From inside to outside of firebox with (2) M6x13 screws and M6 compression washers. (C)
  - From outside to inside of firebox with (2) M6x13 screws. (D)
- Attach fascia to control panel with (1) M4x10 screw. (D)



M5X10 screw Qty: 2 pcs



M5 flat washer Qty: 2 pcs



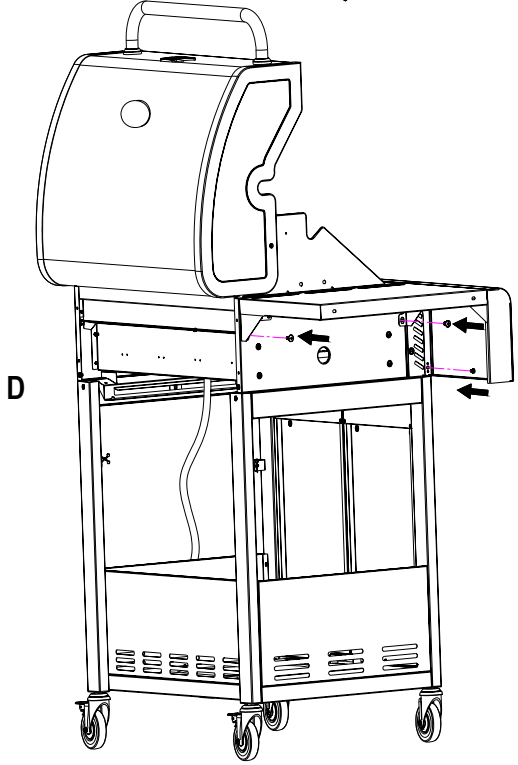
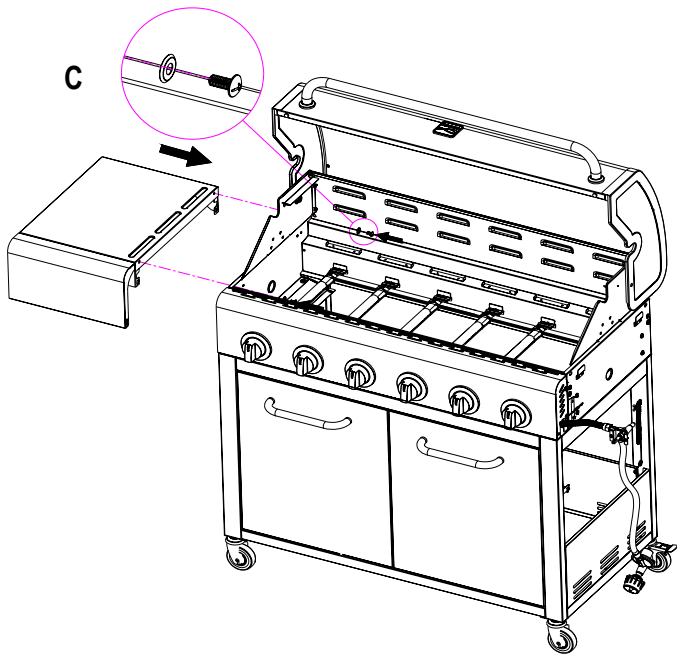
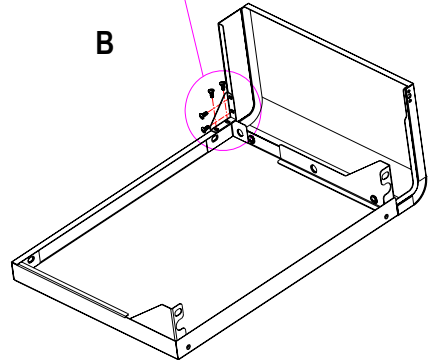
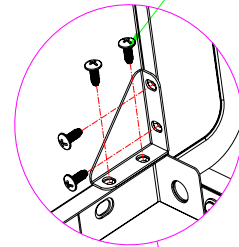
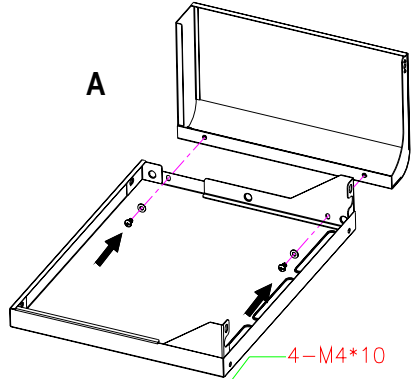
M6X13 screws Qty: 4 pcs



M6 compression washer Qty: 2 pcs



M4X10 screw Qty: 5 pc



# 7

## Right Side Shelf

- Remove side burner grate from side burner before assembling and attaching the right side shelf.
- Attach fascia to right side shelf with **(2) M5x10 screws**, and **M5 flat washers**. (A)
- Attach Side Shelf Support Angle Bar with **(4) M4x10 screws**. (B)
- Hang right side shelf onto the brackets on right side of firebox.
- Attach shelf to firebox as follows:
  - From inside to outside of firebox with **(2) M6x13 screws** and **M6 compression washers**. (C)
  - From outside to inside of firebox with **(2) M6x13 screws**. (D)
- Attach fascia to control panel with **(1) M4x10 screw**. (D)



M5X10 screw Qty: 2 pcs



M5 flat washer Qty: 2 pcs



M6X13 screws Qty: 4 pcs

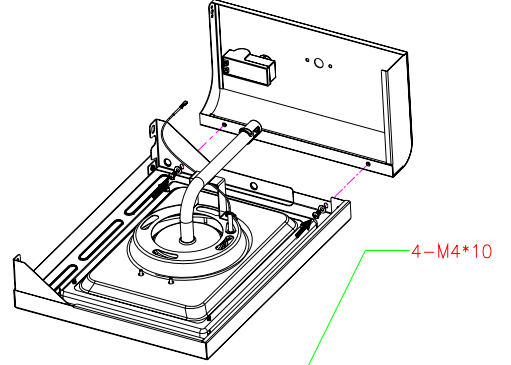


M6 compression washer Qty: 2 pcs

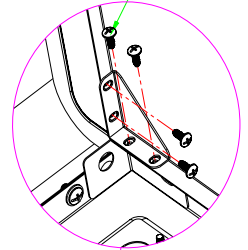


M4X10 screw Qty: 5 pc

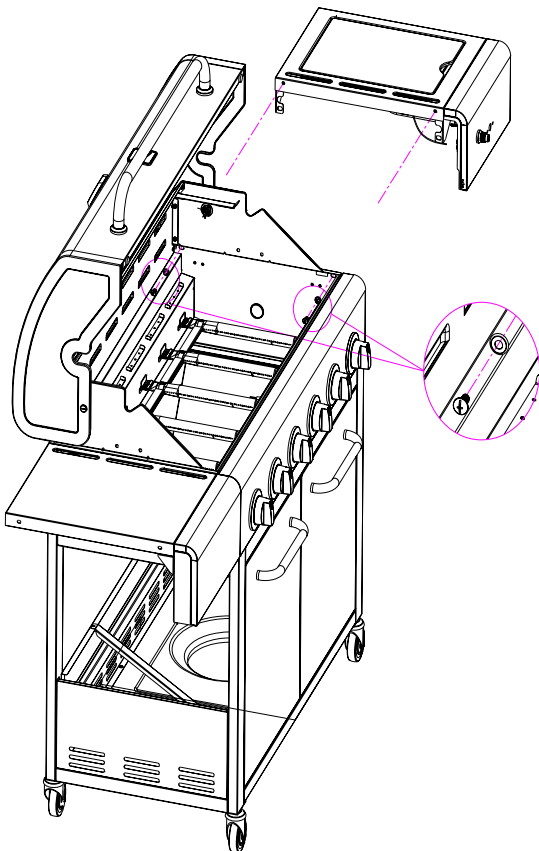
A



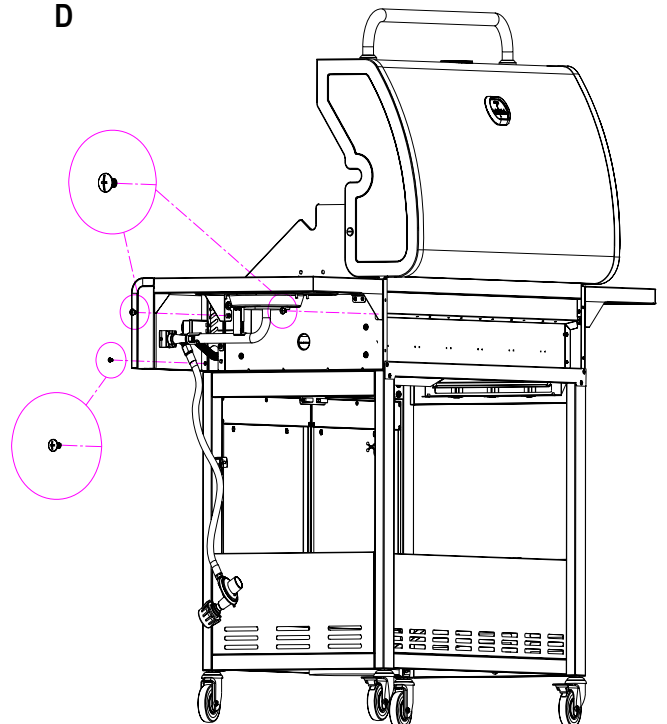
B



C



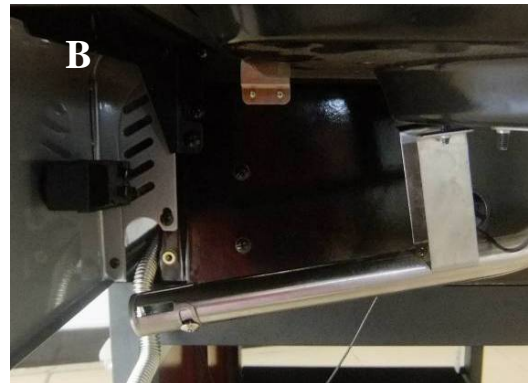
D



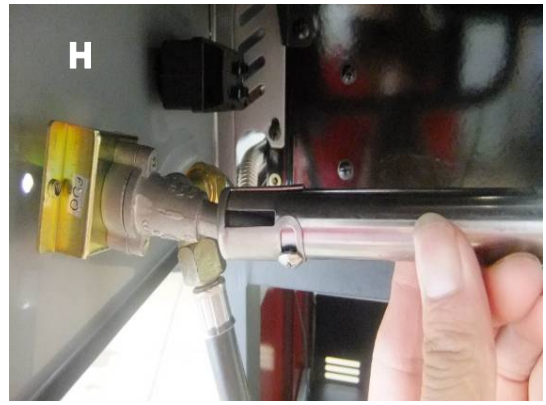
# 8

## Side burner

- Loosen side burner in side shelf. (B ). To loosen, unscrew and remove two front screws and washers holding side burner in place. (A). Note: Do not loosen electrode screw.
- Remove the 2 pre-installed screws from the valve stem and set them aside. (C)
- Insert valve stem through hole in fascia. (D). Install previously removed 2 screws. Note: Do not tighten these 2 screws until the bezel is attached to fascia and valve face. (E).
- Insert bezel openings over valve stem and the 2 screws (F). Slide bezel down onto screws. Make sure that black mark on bezel is vertical. Tighten the 2 screws to secure bezel to fascia (G).
- Place side burner tube over the valve, making sure that valve is inside side burner tube. (H)
- Push control knob onto side burner valve stem. (I)
- Reattach side burner to side burner shelf with the 2 previously removed screws. Replace side burner grate. (J)
- Connect both igniter wires to the igniter module on the inside of the right fascia. To connect, push igniter wire tips onto pins in igniter module. (K)
- Unscrew igniter cap from control panel. Insert (1) AAA battery (provided in blister pack) into battery slot with positive end (+) facing outward. Screw igniter cap back onto panel. (L)



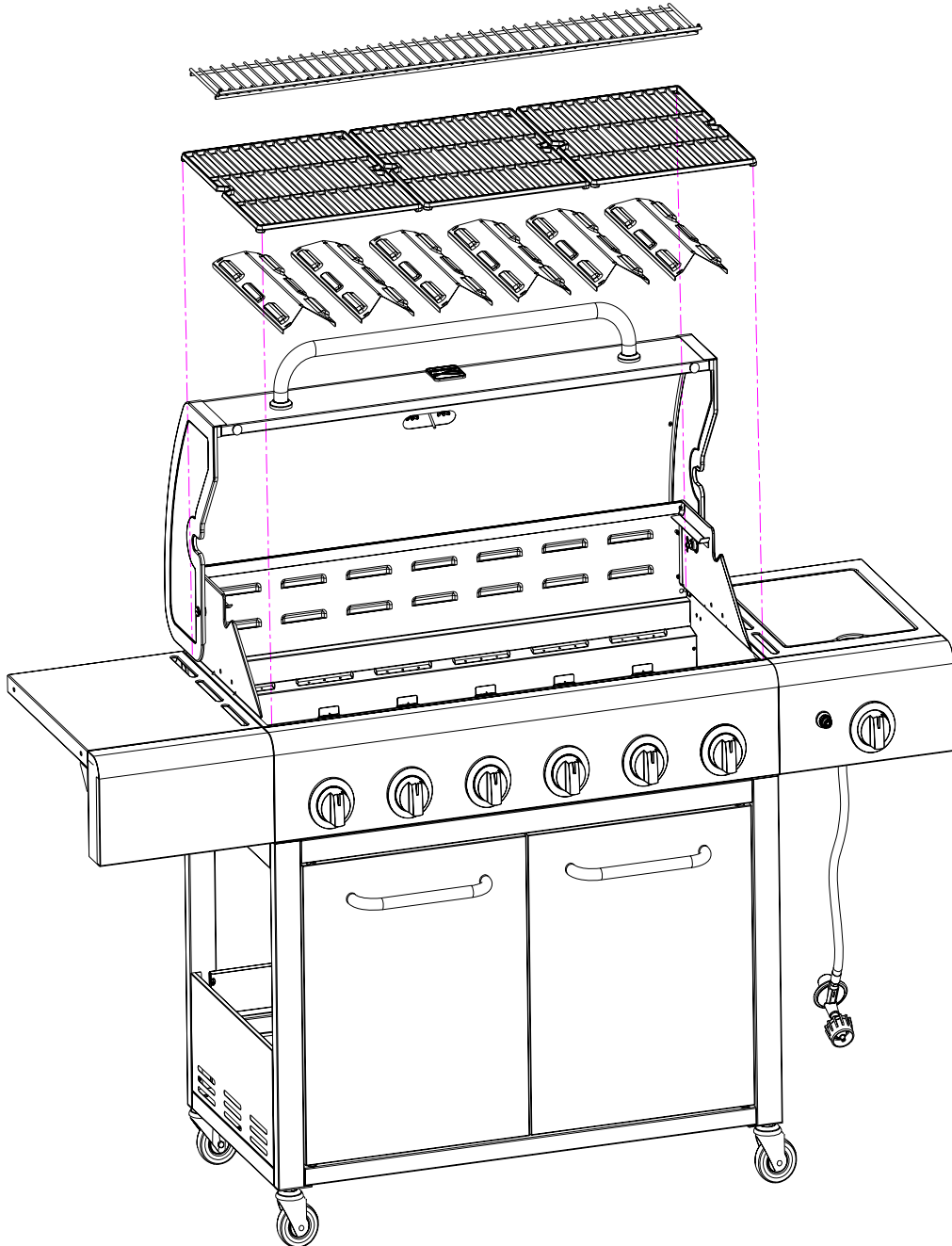




# 9

## Heat Diffusers, Cooking Grates and Warming Rack

- Place heat diffusers over burners by inserting tabs into slots in front and back of firebox. Diffusers will fit in firebox in either direction. Fit tabs in firebox front through slots in diffuser tips. Fit diffuser tips over tabs in firebox rear at front and rear of firebox.
- Insert warming rack into brackets at top of firebox as shown.



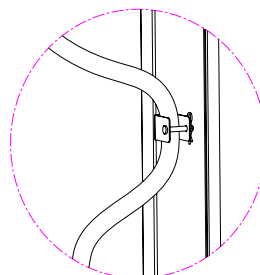
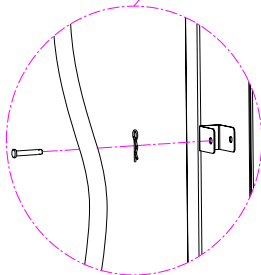
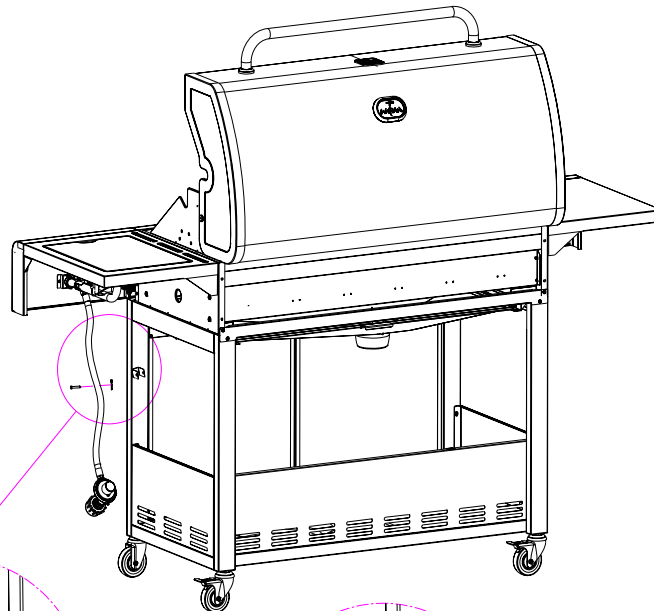
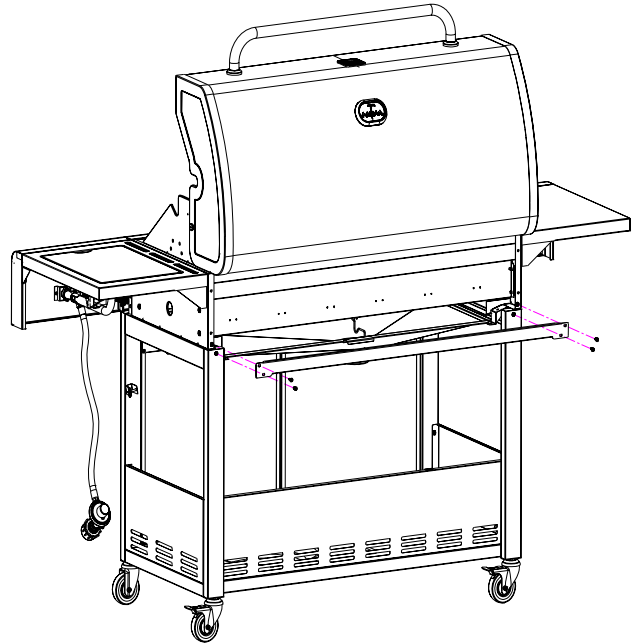
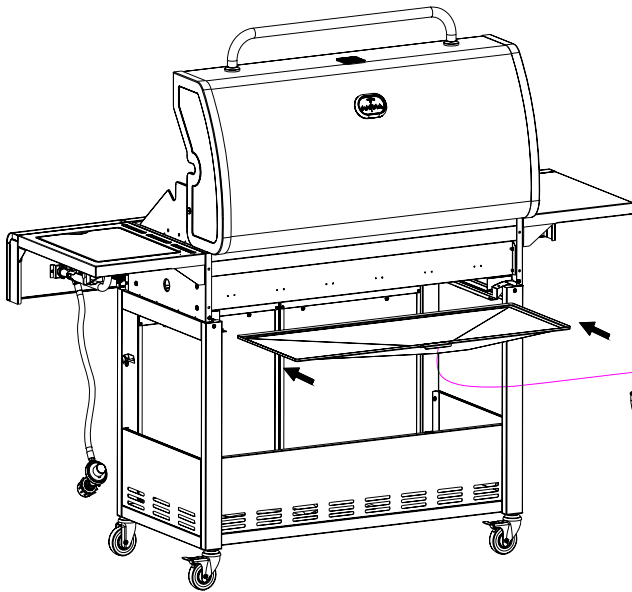
# 10

## Drip Tray, Drip Cup and LP tank

- Hang Drip cup clip from bottom of Drip tray. Slide Drip tray into bottom of firebox from back. Make sure the Drip drainage hole is on the right side, as seen from the back of the grill. Place Drip cup into Drip cup clip.
- Align back rail holes with holes on back legs and firebox. Attach back rail with **(4) M4x10 screws**.
- Feed the regulator hose through the hose bracket on Right Front Leg and fix with cotter pin.



M4X10 screws Qty: 4 pcs

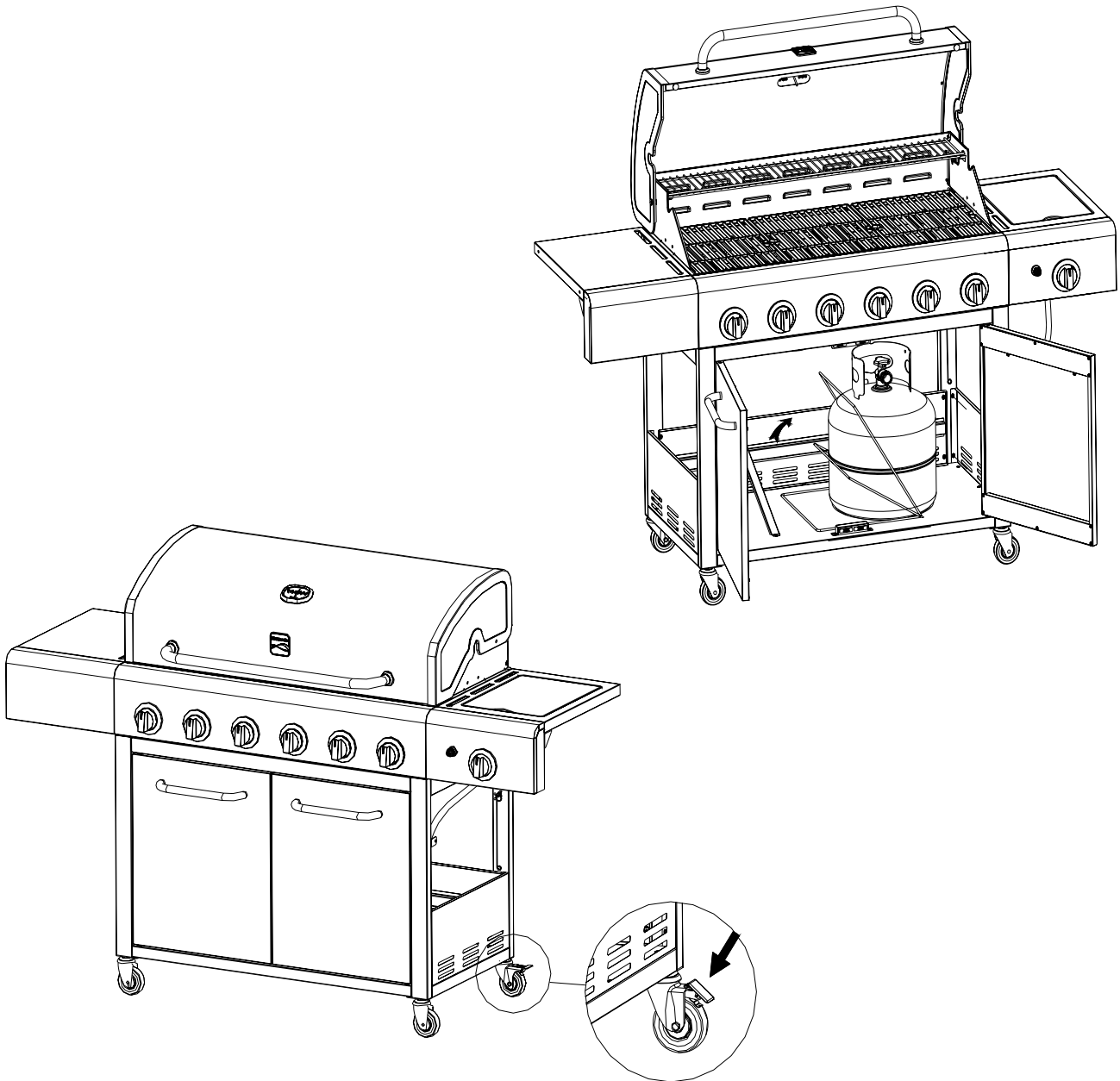




# 11

## LP tank

- LP tank is sold separately. Use only with an OPD (Overfill Protection Device) equipped LP tank. Fill and leak check before attaching to grill and regulator.
- Place LP tank into hole in bottom shelf with tank collar opening facing to the front as shown. Raise tank holder to hold LP tank securely in place.
- When the grill is in the desired location, lock the caster brakes; this will help the grill stay in place for safe operation.



	<b>CAUTION</b>	
<p>Failure to install drip cup clip and cup will cause hot drip to drip from bottom of grill with risk of fire or property damage.</p>		

	<b>CAUTION</b>	
<p>Failure to install tank correctly may allow gas hose to be damaged in operation.</p>		

**EMERGENCIES: If a gas leak cannot be stopped, or a fire occurs due to gas leakage, call the fire department.**

Problem	Possible Cause	Prevention/Solution
Gas leaking from cracked/cut/burned hose.	<ul style="list-style-type: none"> <li>Damaged hose.</li> </ul>	<ul style="list-style-type: none"> <li>Turn off gas at LP cylinder or at source on natural gas systems. If the hose is cracked or cut but not burned, simply replace valve / hose / regulator. If the hose is burned, the cause could be other than a faulty valve/hose/regulator. Discontinue use of grill until a plumber or gas technician has investigated and corrected the problem.</li> </ul>
Gas leaking from LP cylinder.	<ul style="list-style-type: none"> <li>Mechanical failure due to rusting or mishandling.</li> </ul>	<ul style="list-style-type: none"> <li>Replace LP cylinder.</li> </ul>
Gas leaking from LP cylinder valve.	<ul style="list-style-type: none"> <li>Failure of cylinder valve from mishandling or mechanical failure.</li> </ul>	<ul style="list-style-type: none"> <li>Turn off LP cylinder valve. Return LP cylinder to gas supplier.</li> </ul>
Gas leaking between LP cylinder and regulator connection.	<ul style="list-style-type: none"> <li>Improper installation, connection not tight, failure of rubber seal.</li> </ul>	<ul style="list-style-type: none"> <li>Turn off LP cylinder valve. Remove regulator from cylinder and visually inspect rubber seal for damage. See LP Cylinder Leak Test and Connecting Regulator to the LP Cylinder.</li> </ul>
Fire coming through control panel.	<ul style="list-style-type: none"> <li>Fire in burner tube section of burner due to blockage.</li> </ul>	<ul style="list-style-type: none"> <li>Turn off control knobs and LP cylinder valve. Leave lid open to allow flames to die down. After fire is out and grill is cold, remove burner and inspect for spider nests or rust. See Spider Alert and Cleaning the Burner Assembly sections of this Use &amp; Care Guide.</li> </ul>
Drip fire or continuous excessive flames above cooking surface.	<ul style="list-style-type: none"> <li>Too much Drip buildup in burner area.</li> </ul>	<ul style="list-style-type: none"> <li>Turn off control knobs and LP cylinder valve. Leave lid open to allow flames to die down. After cooling, clean food particles and excess Drip from inside firebox area, Drip tray, and other surfaces.</li> </ul>

## Troubleshooting

Problem	Possible Cause	Prevention/Solution
<p>Burner(s) will not light using igniter. (See Electronic Ignition Troubleshooting also)</p> <p>Continued on next page.</p>	<p><b>GAS ISSUES:</b></p> <ul style="list-style-type: none"> <li>Trying to light wrong burner.</li> <li>Burner not engaged with control valve.</li> <li>Obstruction in burner.</li> <li>No gas flow.</li> <li>Vapor lock at coupling nut to LP cylinder.</li> <li>Coupling nut and LP cylinder valve not fully connected.</li> <li>Electrode cracked or broken; "sparks at crack.</li> <li>Electrode tip not in proper position.</li> </ul> <p>Wire and/or electrode covered with cooking residue.</p> <ul style="list-style-type: none"> <li>Wires are loose or disconnected.</li> <li>Wires are shorting (sparking) between igniter and electrode.</li> </ul> <ul style="list-style-type: none"> <li>Dead battery.</li> </ul>	<ul style="list-style-type: none"> <li>See instructions on control panel and in Use and Care section.</li> <li>Make sure valves are positioned inside of burner tubes.</li> <li>Ensure burner tubes are not obstructed with spider webs or other matter. See cleaning section of Use and Care.</li> <li>Make sure LP cylinder is not empty. If LP cylinder is not empty, refer to "Sudden drop in gas flow."</li> <li>Turn off knobs and disconnect coupling nut from LP cylinder. Reconnect and retry.</li> <li>Turn the coupling nut approximately one-half to three-quarters additional turn until solid stop. Tighten by hand only - do not use tools.</li> <li>Replace electrode(s).</li> </ul> <p>Main Burners:</p> <ul style="list-style-type: none"> <li>Tip of electrode should be pointing toward gas port opening on burner. The distance should be 1/8" to 1/4". Adjust if necessary.</li> </ul> <p>Sideburner</p> <ul style="list-style-type: none"> <li>Tip of electrode should be pointing toward gas port opening on burner. The distance should be 1/8" to 3/16". Adjust if necessary.</li> <li>Clean wire and/or electrode with rubbing alcohol and clean swab.</li> <li>Reconnect wires or replace electrode/wire assembly.</li> <li>Replace igniter wire/electrode assembly.</li> <li>Replace with a new AAA-size alkaline battery.</li> </ul>

## Troubleshooting (continued)

Problem	Possible Cause	Prevention/Solution
Burner(s) will not light using igniter. (See Electronic Ignition Troubleshooting also)	<b>ELECTRONIC IGNITION:</b> <ul style="list-style-type: none"> <li>• No spark, no ignition noise.</li> <li>• No spark, some ignition noise.</li> <li>• Sparks, but not at electrode or at full strength.</li> </ul>	<ul style="list-style-type: none"> <li>• See Section I of Electronic Ignition System.</li> <li>• See Section II of Electronic Ignition System.</li> <li>• See Section III of Electronic Ignition System.</li> </ul>
Burner(s) will not match light.	<ul style="list-style-type: none"> <li>• See "<b>GAS ISSUES:</b>" on previous page.</li> <li>• Match will not reach.</li> <li>• Improper method of match-lighting.</li> </ul>	<ul style="list-style-type: none"> <li>• Use long-stem match (fireplace match).</li> <li>• See "Match-Lighting" section of Use and Care.</li> </ul>
Sudden drop in gas flow or low flame.	<ul style="list-style-type: none"> <li>• Out of gas.</li> <li>• Excess flow valve tripped.</li> <li>• Vapor lock at coupling nut/LP cylinder connection.</li> </ul>	<ul style="list-style-type: none"> <li>• Check for gas in LP cylinder.</li> <li>• Turn off knobs, wait 30 seconds and light grill. If flames are still low, turn off knobs and LP cylinder valve. Disconnect regulator. Reconnect regulator and leak-test. Turn on LP cylinder valve, wait 30 seconds and then light grill.</li> <li>• Turn off knobs and LP cylinder valve. Disconnect coupling nut from cylinder. Reconnect and retry.</li> </ul>
Flames blow out.	<ul style="list-style-type: none"> <li>• High or gusting winds.</li> <li>• Low on LP gas.</li> <li>• Excess flow valve tripped.</li> </ul>	<ul style="list-style-type: none"> <li>• Turn front of grill to face wind or increase flame height.</li> <li>• Refill LP cylinder.</li> <li>• Refer to "Sudden drop in gas flow" above.</li> </ul>
Flare-up.	<ul style="list-style-type: none"> <li>• Drip buildup.</li> <li>• Excessive fat in meat.</li> <li>• Excessive cooking temperature.</li> </ul>	<ul style="list-style-type: none"> <li>• Clean burners and inside of grill/firebox.</li> <li>• Trim fat from meat before grilling.</li> <li>• Adjust (lower) temperature accordingly.</li> </ul>
Persistent Drip fire.	<ul style="list-style-type: none"> <li>• Drip trapped by food buildup around burner system.</li> </ul>	<ul style="list-style-type: none"> <li>• Turn knobs to OFF. Turn gas off at LP cylinder. Leave lid in position and let fire burn out. After grill cools, remove and clean all parts.</li> </ul>
Flashback... (fire in burner tube(s)).	<ul style="list-style-type: none"> <li>• Burner and/or burner tubes are blocked.</li> </ul>	<ul style="list-style-type: none"> <li>• Turn knobs to OFF. Clean burner and/or burner tubes. See burner cleaning section of Use and Care.</li> </ul>
Unable to fill LP cylinder.	<ul style="list-style-type: none"> <li>• Some dealers have older fill nozzles with worn threads.</li> </ul>	<ul style="list-style-type: none"> <li>• The worn nozzles don't have enough "bite" to engage the valve. Try a second LP dealer.</li> </ul>
One burner does not light from other burner(s).	<ul style="list-style-type: none"> <li>• Drip buildup or food particles in end(s) of carryover tube(s).</li> </ul>	<ul style="list-style-type: none"> <li>• Clean carry-over tube(s) with wire brush.</li> </ul>

## Troubleshooting - Electronic Ignition

Problem	Possible Cause	Check Item	Prevention/Solution
<b>SECTION I</b> No sparks appear at any electrodes when control knob turned to HI; no noise can be heard from spark module.	<ul style="list-style-type: none"> <li>Battery not installed properly.</li> <li>Dead battery.</li> <li>Button assembly not installed properly.</li> <li>Faulty spark module.</li> </ul>	<ul style="list-style-type: none"> <li>Check battery orientation.</li> <li>Has battery been used previously?</li> <li>Check to insure threads are properly engaged. Button should travel up and down without binding.</li> <li>If no sparks are generated with new battery and good wire connections, module is faulty.</li> </ul>	<ul style="list-style-type: none"> <li>Install battery (make sure that "+" and "-" connectors are oriented correctly, with "+" end up and "-" end down.)</li> <li>Replace battery with new AAA-size alkaline battery.</li> <li>Unscrew button cap assembly and reinstall, making sure threads are aligned and engaged fully.</li> <li>Replace spark module assembly.</li> </ul>
<b>SECTION II</b> No sparks appear at any electrodes when control knob turned to HI; noise can be heard from spark module.	<ul style="list-style-type: none"> <li>Output lead connections not connected.</li> </ul>	<ul style="list-style-type: none"> <li>Are output connections on and tight?</li> </ul>	<ul style="list-style-type: none"> <li>Remove and reconnect all output connections at module and electrodes.</li> </ul>
<b>SECTION III</b> Sparks are present but not at all electrodes and/or not at full strength	<ul style="list-style-type: none"> <li>Output lead connections not connected.</li> <li>Electrical arc between output wires and grill frame.</li> <li>Weak battery.</li> <li>Electrodes are wet.</li> <li>Electrode(s) cracked or broken; sparks appear where cracked.</li> </ul>	<ul style="list-style-type: none"> <li>Are output connections on and tight?</li> <li>If possible, observe grill in dark location. Operate ignition system and look for arcing between output wires and grill frame.</li> <li>All sparks present but weak or at slow rate.</li> <li>Has moisture accumulated on electrode and/or in burner ports?</li> <li>Inspect electrodes for cracks.</li> </ul>	<ul style="list-style-type: none"> <li>Remove and reconnect all output connections at module and electrodes.</li> <li>If sparks are observed other than from burner(s), wire insulation may be damaged. Replace wires.</li> <li>Replace battery with a new AAA-size alkaline battery.</li> <li>Use paper towel to remove moisture.</li> <li>Replace cracked or broken electrodes.</li> </ul>
<b>SECTION IV</b> Grill is not getting hot only reaches 250 – 300 degrees	<ul style="list-style-type: none"> <li>This typically occurs when you turn on your control knobs before you turn on the LP tank valve. If so this will activate the gas regulator safety device, the grill will only reach temperatures between 250 and 300F even with all burners on the high setting.</li> </ul>	<ul style="list-style-type: none"> <li>Are regulator on and right?</li> <li>Make sure regulator is connected properly to the tank, and control knobs are all in the off position.</li> </ul>	<ul style="list-style-type: none"> <li>Open the grill lid.</li> <li>Turn off all knobs on the control panel in front.</li> <li>Turn off the tank knob.</li> <li>Disconnect the regulator from the LP tank. Wait 30 seconds.</li> <li>Reconnect the regulator to the LP tank.</li> <li>Slowly open the LP tank knob all the way open. Do not put excessive force on the valve at the full open position to avoid damaging the valve.</li> <li>Turn on an appropriate control knob and light the grill per the lighting instructions.</li> </ul>

PELIGRO

Si siente olor a gas:

1. Cierre el paso de gas al aparato.
2. Apague toda llama al descubierto.
3. Abra la tapa.
4. Si persiste el olor, aléjese del aparato y llame inmediatamente al proveedor local de gas o a los bomberos.

ADVERTENCIA

1. No guarde ni use gasolina ni otros líquidos o gases inflamables cerca de éste ni de cualquier otro aparato.
2. No guarde un tanque de gas propano, que no esté conectado, cerca de éste ni de cualquier otro aparato.

**Póngase en contacto con el servicio al cliente de permasteel para obtener ayuda y piezas**

Si tiene alguna pregunta o necesita ayuda durante el montaje, por favor llame al 1 - 888 - 287 - 0735.M - F 8: 00 - 5: 00 Usted hablará con el representante del fabricante de la parrilla.

Or Visit us at [www.permasteel.net](http://www.permasteel.net)

**Inscripción del producto**

**IMPORTANTE:** Llene la siguiente información de inscripción.

Número de modelo \_\_\_\_\_

Número de serie \_\_\_\_\_

El número de serie se encuentra en la etiqueta de especificaciones de la parrilla.

Fecha de compra \_\_\_\_\_

CAUTION

Sólo para uso particular. No lo use para fines comerciales.

**Medidas de seguridad para la instalación**

- Por favor, lea este manual del usuario en su totalidad antes de usar la parrilla.
- El incumplimiento de las enseñanzas impartidas en serio puede resultar en lesiones corporales y / o daños materiales.
- Algunas partes de esta parrilla pueden tener bordes filosos. Por favor, use guantes protectores adecuados.
- Use la parrilla únicamente con gas propano y con la unidad reguladora / de válvula suministrada.
- La instalación de la parrilla debe cumplir con las disposiciones de los códigos locales, o, en su defecto, con el **National Fuel Gas Code (o Código nacional sobre gases combustibles)**, y las normas **NFPA 54 / ANSI Z223.1 y Natural Gas and Propane Installation Code (Código de la instalación del gas natural y del propano)**, **CSA B149.1**. El manejo y el almacenamiento de los cilindros de gas propano se debe realizar de conformidad con el código sobre gas propano **NFPA/ANSI 58**. No se debe usar la parrilla en vehículos de recreo ni en embarcaciones.
- Todos los accesorios eléctricos (tal como el asador) deben estar conectados a tierra de conformidad con los códigos locales, o con el **National Electrical Code (Código nacional sobre electricidad)**, **ANSI / NFPA 70**. Mantenga todo cable eléctrico o tubería de suministro de combustible alejados de las superficies calientes.
- Esta parrilla únicamente cuenta con la certificación de seguridad para ser usada en los Estados Unidos. No la modifique para usarla en ningún otro lugar. Cualquier modificación puede poner en peligro su seguridad.

**IMPORTANTE:** Esta parrilla es para uso exclusivo al aire libre y no está destinada a ser instalada en o sobre vehículos de recreo o embarcaciones.

**NOTA PARA EL INSTALADOR:** Deja este manual del usuario con el cliente después de la entrega y / o instalación.

**NOTA A LOS CONSUMIDORES:** Deja este manual del usuario en un lugar conveniente para futura referencia.

**Símbolos de seguridad**

Los símbolos y las casillas ilustradas más adelante explican lo que significa cada encabezado. Lea y cumpla lo indicado en los mensajes que se encuentran en todo el manual.

PELIGRO

**PELIGRO:** Indica una situación peligrosa inminente que, de no evitarse, ocasionará la muerte o lesiones graves.

ADVERTENCIA


**ADVERTENCIA:** Indica una situación potencialmente peligrosa que, de no evitarse, podría causar la muerte o lesiones graves.

CAUTION


**CAUTION:** Indica una situación potencialmente peligrosa o práctica peligrosa que, de no evitarse, puede resultar en lesiones menores o moderadas.

## ÍNDICE DE MATERIAS

Por su propia seguridad . . .	. . 33
Centro de servicio para parrillas.. . .	. . 33
Información de inscripción de la garantía . . .	. 33
Símbolos de seguridad. . .	. . 33
Medidas de seguridad para la instalación . . .	. . 33
Garantía para la parrilla Kenmore . . .	. . . 34-35
Uso y mantenimiento . . .	. . . 36-42
Lista de piezas . . .	. . . 43
Vista esquemática de las piezas . . .	. . 44
Armado . . .	. . . 45-48
Antes De La Asamblea . . .	. 49-61
Resolución de problemas . . .	. 62-64



**ADVERTENCIA**



Los subproductos de la combustión producidos al usar este producto incluyen monóxido de carbono, un químico conocido en el Estado de California como causante de defectos de nacimiento u otros daños reproductivos. Para obtener más información, vaya a [www.P65Warnings.ca.gov](http://www.P65Warnings.ca.gov)

---

## GARANTÍA DE LA PARRILLA KENMORE

### GARANTÍA LIMITADA DE KENMORE

**CON LA PRUEBA DE VENTA**, la siguiente cobertura de garantía se aplica cuando este electrodoméstico se instala, opera y mantiene correctamente de acuerdo con todas las instrucciones provistas.

**POR UN AÑO** a partir de la fecha de venta, este electrodoméstico está garantizado contra defectos de material o mano de obra. Un electrodoméstico defectuoso recibirá reparación gratuita. Si el artefacto no puede repararse, será reemplazado sin cargo.

**POR CINCO AÑOS** a partir de la fecha de venta, cualquier quemador de acero inoxidable que se oxide o arda será reemplazado sin cargo. \* Si se produce oxidación o quema durante el primer año, se instalará un nuevo quemador sin cargo. Si se produce oxidación o quemaduras después del primer año, se suministrará un nuevo quemador pero no se instalará sin cargo. Usted es responsable del costo de mano de obra de la instalación del quemador después del primer año a partir de la fecha de venta.

\* Un representante de servicio autorizado de Sears debe verificar el óxido o el quemado.

Toda la cobertura de la garantía excluye la pérdida de pintura, decoloración o oxidación de la superficie de la parrilla, que son piezas desechables que pueden desgastarse por el uso normal dentro del período de garantía o son condiciones que pueden ser el resultado de un uso normal, accidente o mantenimiento incorrecto.

Toda la cobertura de la garantía quedará anulada si este electrodoméstico se utiliza alguna vez para fines ajenos al hogar.

#### **Esta garantía cubre ÚNICAMENTE defectos de materiales y mano de obra, y NO pagará por:**

1. Artículos consumibles que pueden desgastarse por el uso normal dentro del período de garantía, incluidas, entre otras, baterías, bombillas de luz con base atornillable y revestimientos o acabados de la superficie.
2. Un técnico de servicio para limpiar o mantener este dispositivo, o para instruir al usuario sobre la correcta instalación, operación y mantenimiento del dispositivo.
3. Llamadas de servicio para corregir la instalación del artefacto no realizada por los agentes de servicio autorizados de Sears, o para reparar problemas con fusibles domésticos, interruptores automáticos, cableado de viviendas y sistemas de plomería o suministro de gas resultantes de dicha instalación.
4. Daño o falla de este electrodoméstico como resultado de la instalación no realizada por los agentes de servicio autorizados de Sears, incluida la instalación que no estaba de acuerdo con los códigos eléctricos, de gas o de plomería.
5. Daños o fallas de este artefacto, incluida la decoloración o el óxido de la superficie, si no se opera y mantiene correctamente de acuerdo con todas las instrucciones provistas.
6. Daños o fallas de este artefacto, incluida la decoloración o la corrosión superficial, como resultado de un accidente, alteración, abuso, uso indebido o uso distinto del previsto.
7. Daños o fallas de este artefacto, incluida la decoloración o la oxidación de la superficie, causados por el uso de detergentes, limpiadores, productos químicos o utensilios distintos de los recomendados en todas las instrucciones suministradas con el producto.
8. Daños o fallas de este electrodoméstico como resultado de catástrofes naturales o de otro tipo, como inundaciones, incendios o tormentas.
9. Daño o falla de partes o sistemas como resultado de modificaciones no autorizadas hechas a este electrodoméstico.
10. Servicio a un electrodoméstico si el modelo y la placa de serie faltan, están alterados o no se puede determinar fácilmente que tengan el logotipo de certificación apropiado.

#### **Descargo de responsabilidad de las garantías implícitas; limitación de remedios**

El único y exclusivo remedio del cliente bajo esta garantía limitada será la reparación o el reemplazo del producto según lo dispuesto en este documento. Las garantías implícitas, incluidas las garantías de comerciabilidad o adecuación para un fin determinado, están limitadas a un año en el electrodoméstico y a cinco años en los quemadores, o al período más breve permitido por la ley. El vendedor no será responsable por daños incidentales o consecuentes. Algunos estados y provincias no permiten la exclusión o limitación de daños incidentales o consecuentes, o la limitación de la duración de las garantías implícitas de comerciabilidad o adecuación, por lo que estas exclusiones o limitaciones pueden no aplicarse en su caso.

Esta garantía solo se aplica mientras este dispositivo se usa en los Estados Unidos.

Esta garantía le otorga derechos legales específicos, y también puede tener otros derechos que varían de un estado a otro a estado.



# PELIGRO



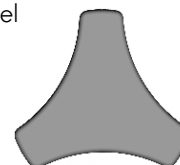
- **NUNCA** guarde los cilindros de gas de repuesto debajo del aparato, cerca del mismo, ni en áreas cerradas.



- Nunca cargue el tanque con más del 80% de su capacidad.
- Los tanques de gas propano de repuesto sobrecargados o mal llenados son peligrosos, ya que la válvula de seguridad puede dejar salir gas. Esto puede provocar incendios intensos que pueden causar daños materiales, lesiones graves o la muerte.
- Si observa, huele o escucha una fuga de gas, aléjese de inmediato del cilindro y del aparato, y llame a los bomberos.

## Tanque de gas propano

- El tanque de gas que use con su parrilla debe cumplir los siguientes requisitos:
- Use únicamente tanques de gas que tengan las siguientes medidas obligatorias: 12" (30.5 cm) (diámetro) x 18" (45.7 cm) (altura), con una capacidad máxima de 20 lb. (9 kg).
- Debe estar fabricados y codificados según las especificaciones del Departamento de Transporte de los Estados Unidos (DOT), para tanques de gas propano. El código se encuentra en el collarín del tanque de gas.
- La válvula del tanque de gas debe tener:
  - Una salida de tipo 1, compatible con el regulador o la parrilla.
  - Una válvula de paso de seguridad.
  - Un dispositivo de seguridad volumétrica (OPD por sus siglas en inglés) certificado por UL. Esta característica de seguridad OPD se identifica mediante una manilla de forma triangular. **Use únicamente tanques equipados con válvulas de este tipo.**
- El tanque de gas debe tener un dispositivo de extracción del vapor y venir con un collarín para proteger su válvula. Siempre mantenga los tanques de gas en posición vertical durante su uso, su transporte o su almacenamiento.



Manilla del dispositivo de seguridad volumétrica



Tanque de gas en posición vertical para extraer el vapor

## El gas propano (GLP)

- Es atóxico, inodoro e incoloro en el momento en que se produce. Por su propia seguridad, al gas propano se le ha incorporado un olor (parecido al de la col podrida), de modo que se pueda oler.
- El gas propano es sumamente inflamable y se puede encender en forma inesperada al mezclarse con el aire.

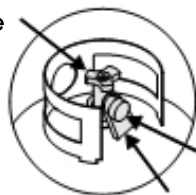
## Carga de los tanques de gas propano

- Recorra solamente a vendedores autorizados y con experiencia.
- El vendedor de gas **debe purgar el tanque nuevo** antes de cargarlo.
- El vendedor no debe cargar **NUNCA** el tanque de gas con más del 80% de su volumen. El volumen de gas propano en el tanque puede variar con la temperatura.
- Si el regulador está empañado, eso indica que el tanque está sobrecargado. Cierre de inmediato la válvula del tanque y solicite ayuda del vendedor de gas propano.
- No deje escapar gas propano a la atmósfera. Ésta es una práctica peligrosa.
- Solicite ayuda del vendedor de propano o de los bomberos, para vaciar el gas de su tanque. Identifique a los vendedores autorizados de propano de su región en la sección de "compañías de gas" de la guía telefónica.

## Remoción, transporte y almacenamiento del tanque de gas propano

- **CIERRE** todas las perillas de control y la válvula del tanque. Gire la tuerca de unión en sentido contrario a las agujas del reloj, a mano solamente; no use herramientas para desconectarla. Afloje el tornillo del tanque que se encuentra por debajo de el estante inferior, y luego levante el tanque y sáquelo del carro. Instale la tapa de seguridad en la válvula del tanque de gas.

Válvula del tanque de gas



Tapa de seguridad  
Tira de sujeción

- Use siempre la tapa y la tira que vienen con la válvula. Los otros tipos de cofias o tapones pueden dejar escapar el gas propano. **Si la tapa de seguridad no se usa tal como se indica, esto puede ocasionar lesiones o daños materiales graves.**
- No guarde el tanque de gas en lugares donde jueguen los niños.



## Cambio del tanque de gas

- Muchos comerciantes minoristas que venden parrillas, le ofrecen la opción de cambiar su tanque de gas vacío mediante un servicio de recambio. Emplee únicamente empresas de recambio de buena reputación, que inspeccionen, carguen con precisión, verifiquen y certifiquen sus cilindros. **Cambie su tanque sólo por otros tanques equipados con el dispositivo de seguridad volumétrica que se describe en la sección de *Tanques de gas* de este manual.**
- Siempre mantenga los tanques de gas, nuevos y de repuesto, en posición vertical durante su uso, su transporte o su almacenamiento.
- **Verifique que los tanques de gas, nuevos o de recambio, no tengan fugas ANTES de conectarlos a la parrilla.**

## Prueba para detectar fugas del tanque de gas propano Por su propia seguridad

- Se debe efectuar la prueba para detectar fugas cada vez que se cambie o se recargue el tanque.
- No fume durante la prueba para detectar fugas.
- No use una llama al descubierto para comprobar si el tanque tiene fugas.
- La prueba para detectar fugas de la parrilla se debe efectuar al aire libre, en un área bien ventilada, alejada de toda fuente de ignición tal como los artefactos a gas o eléctricos. Durante la prueba para detectar fugas, mantenga la parrilla alejada de las llamas al descubierto o de las chispas.
- Use una brocha de pintura limpia y una solución de 50/50 de agua y jabón suave. Pinte con la solución jabonosa las áreas indicadas por las flechas en la ilustración que sigue.

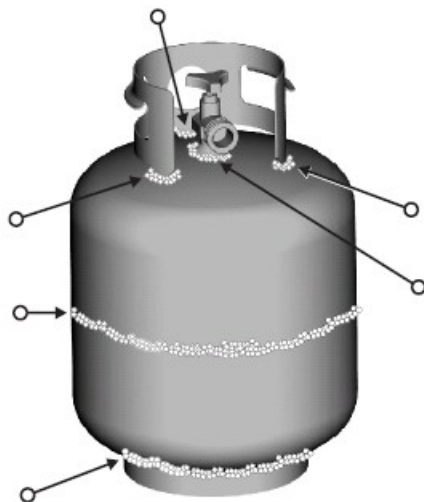


# ADVERTENCIA



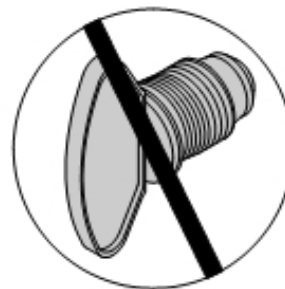
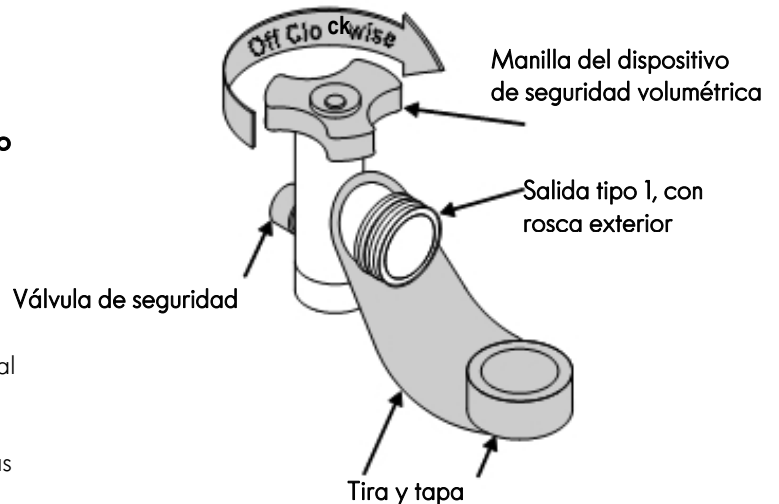
Si aparecen burbujas que aumentan de tamaño, no use ni mueva el tanque de gas. ¡Comuníquese con el proveedor de gas propano o con los bomberos!

▲ **No use productos de limpieza del hogar.** Esto puede dañar los componentes del circuito de gas.



## Como conectar el regulador al tanque de gas propano

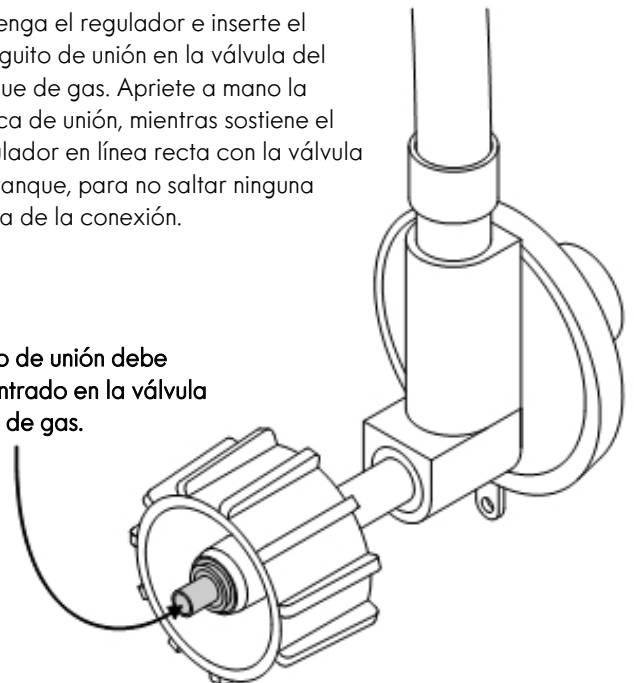
1. El tanque de gas debe quedar bien fijado a la parrilla. (Lea la sección de ensamblado.)
2. Gire todas las perillas de control a la posición APAGADO (OFF).
3. CIERRE el tanque de gas, girando la manilla de la válvula en el sentido de las agujas del reloj, hasta que **se detenga por completo**.
4. Retire la tapa protectora de la válvula del tanque de gas. Use siempre la tapa y la tira que vienen con la válvula.

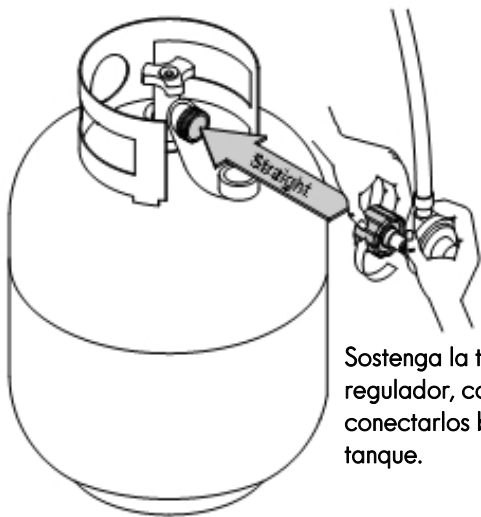


No use un tapón POL para transporte (la pieza de plástico con rosca en el exterior). Anulará la característica de seguridad de la válvula.

5. Sostenga el regulador e inserte el manguito de unión en la válvula del tanque de gas. Apriete a mano la tuerca de unión, mientras sostiene el regulador en línea recta con la válvula del tanque, para no saltar ninguna rosca de la conexión.

El manguito de unión debe quedar centrado en la válvula del tanque de gas.





Sostenga la tuerca de unión y el regulador, como se ilustra, para conectarlos bien a la válvula del tanque.

6. Gire la tuerca de unión en el sentido de las agujas del reloj, apretándola hasta que no se mueva más. El regulador formará un sello en el dispositivo de seguridad de la válvula del tanque, lo que creará cierta resistencia. **Se deberá hacer girar la tuerca entre un cuarto y tres cuartos de vuelta adicionales, para completar la conexión. Apriétela a mano únicamente -- no use herramientas.**

**NOTA:**

Si no puede completar la conexión, desconecte el regulador y repita los pasos 5 y 6. Si a pesar de haberlo hecho, todavía no puede completar la conexión, **¡no use este regulador!**

PELIGRO

- No introduzca ninguna herramienta ni ningún objeto extraño en la salida de la válvula ni en la válvula de seguridad. Puede dañarla y causar una fuga. Las fugas de gas propano pueden causar explosiones, incendios, lesiones graves o la muerte.

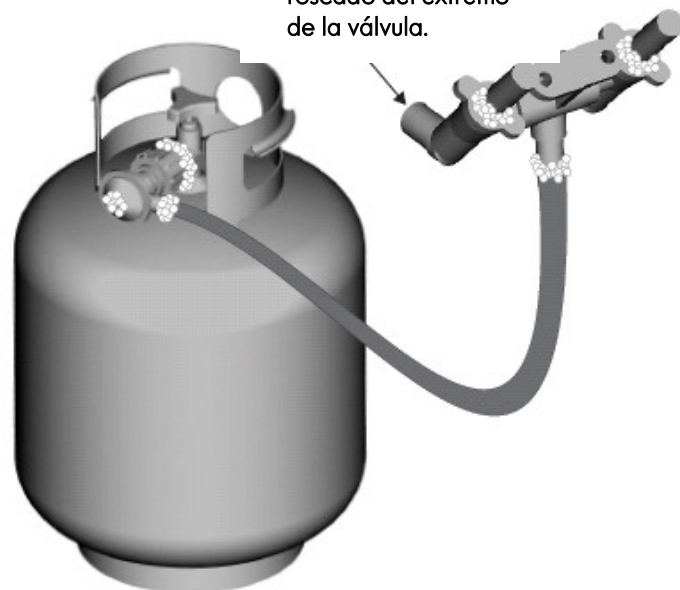
ADVERTENCIA

- El aparato a gas para uso al aire libre no ha sido diseñado para ser instalado en embarcaciones.
- El aparato a gas para uso al aire libre no ha sido diseñado para ser instalado en vehículos de recreo.
- Nunca trate de conectar esta parrilla al sistema de gas propano independiente de un remolque de recreo o de una casa rodante.
- No use la parrilla sin antes haber verificado que no tenga fugas.
- En caso de detectar una fuga en cualquier momento, DETÉNGASE y llame a los bomberos.
- Si no puede detener una fuga de gas, ¡cierre de inmediato la válvula del tanque de gas y llame al distribuidor o a los bomberos!

**Prueba para detectar fugas de las válvulas, las mangueras y el regulador**

1. Gire todas las perillas de control de la parrilla a la posición de APAGADO.
2. Cerciórese de que el regulador esté bien conectado al tanque de gas.
3. Abra por completo la válvula del tanque, girando la manilla en sentido contrario a las agujas del reloj. Si escucha un *sonido de ráfaga*, cierre de inmediato el paso de gas. La conexión tiene una fuga considerable. **Corrija esta situación antes de continuar.**
4. Aplique solución jabonosa con la brocha, en las áreas marcadas con un círculo en la ilustración que sigue.

▲ Nunca retire el orificio roscado del extremo de la válvula.



5. Si aparecen burbujas **que aumentan de tamaño**, existe una fuga. Cierre de inmediato la válvula del tanque de gas y vuelva a apretar las conexiones. **Si no puede eliminar las fugas, no intente repararlas.** Solicite una pieza de repuesto. Encargue las piezas nuevas indicando el número de serie, de modelo y el nombre de las piezas que requiera (vea la lista de piezas), llamando al centro de servicio para parrillas al 1-844-553-6667.
6. Después de hacer una prueba para detectar fugas, cierre siempre la válvula del tanque de gas, girando la manilla en el sentido de las agujas del reloj.

# ADVERTENCIA

## Para usar su parrilla en forma segura y para evitar lesiones graves:

- No permita que los niños operen o jueguen cerca de la parrilla.
- Mantenga el área de la parrilla despejada y libre de materiales que se quemen.
- No bloquee los agujeros en los lados o la parte posterior de la parrilla.
- Use la parrilla solo en espacios bien ventilados. NUNCA lo use en espacios cerrados tales como garaje, porche, patio cubierto o debajo de una estructura aérea de ningún tipo.
- No use carbón o briquetas de cerámica en una parrilla a gas.
- Use la parrilla por lo menos a 3 pies de cualquier pared o superficie. Mantenga un espacio de 10 pies para objetos que puedan incendiarse, o para fuentes de ignición, etc..



### • Para personas que viven en apartamentos:

Pídale al administrador que le indique los requisitos y los códigos contra incendios que corresponden al uso de parrillas de gas propano en un edificio de apartamentos. Si se le permite usarla, hágalo al aire libre, en la planta baja, dejando un espacio libre de tres (3) pies entre la parrilla y las paredes o las barandillas. No la use en balcones o debajo de los mismos.

### • NUNCA trate de encender el quemador con la tapa cerrada.

Las acumulaciones de gas no encendido en las parrillas tapadas son peligrosas.

### • Nunca use la parrilla si el tanque de gas no está en la posición correcta que se especifica en las instrucciones de ensamblado.

### • Siempre cierre la válvula del tanque de gas y retire la tuerca de unión antes de mover el tanque del sitio específico de uso.

## Consejos de seguridad

- ▲ Antes de abrir la válvula del cilindro LP, verifique que la tuerca de acoplamiento esté apretada.
- ▲ Cuando la parrilla no esté en uso, apague todas las perillas de control y la válvula del cilindro LP.
- ▲ Nunca mueva la parrilla mientras está en funcionamiento o aún caliente.
- ▲ Use utensilios de barbacoa de mango largo y manoplas para evitar quemaduras y salpicaduras.
- ▲ La carga máxima para el estante lateral es de 10 lbs.
- ▲ La bandeja de goteo debe insertarse en la parrilla y vaciarse después de cada uso. No retire la bandeja de goteo hasta que la parrilla se haya enfriado por completo.
- ▲ Limpie la parrilla con frecuencia, preferiblemente después de cada comida al aire libre. Si se usa un cepillo de cerdas para limpiar cualquiera de las superficies de cocción de la parrilla, asegúrese de que no queden cerdas sueltas en las superficies de cocción antes de asar a la parrilla. No se recomienda limpiar las superficies de cocción mientras la parrilla esté caliente.
- ▲ Si nota goteo u otro material caliente que gotea de la parrilla, determine la causa, corríjalo, luego limpie e inspeccione la válvula. Mantenga las aberturas de ventilación en el recinto del cilindro (carro de la parrilla) libres de residuos.
- ▲ No guarde objetos o materiales dentro del gabinete del carrito de la parrilla que bloquearían el flujo de aire de combustión hacia la parte inferior del panel de control o del tazón de la cámara de combustión.
- ▲ El regulador puede emitir zumbidos o silbidos durante la operación. Esto no afectará la seguridad o el uso de la parrilla.
- ▲ Si tiene un problema con la parrilla, consulte la "Sección de solución de problemas".
- ▲ Si el regulador se congela, apague la parrilla y la válvula del cilindro LP inmediatamente. Esto indica un problema con el cilindro y no debe usarse en ningún producto. ¡Regresar al proveedor!

## PRECAUCIÓN

- No es posible apagar los fuegos provocados por la grasa cerrando la tapa. Por razones de seguridad, las parrillas tienen aberturas de ventilación.
- No use agua para apagar los fuegos provocados por la grasa. Esto puede ocasionar lesiones. Si surge un fuego provocado por la grasa, cierre las perillas y el tanque de gas.
- No deje desatendida la parrilla cuando la esté precalentando o usando la alta temperatura para quemar los residuos de comida. Si no se ha limpiado, periódicamente la parrilla, se puede presentar un fuego provocado por la grasa, que puede dañar al producto.

### Instrucciones de encendido electrónico de encendido

1. Abra la tapa durante la iluminación.
  2. Encienda la válvula desde la fuente o tanque.
  3. Para encender, gire la perilla del quemador de encendido a HI.
  4. Mantenga presionado el botón de encendido electrónico.
  5. Si la ignición no ocurre en 5 segundos, apague los controles del quemador, espere 5 minutos y repita el procedimiento de encendido.
  6. Para encender otros quemadores principales después de encender el Quemador de Encendido, gire a HI una perilla de control adyacente a un quemador encendido. Encienda último quemador izquierdo último.
  7. Una vez que los quemadores estén encendidos, ajuste los mandos a la configuración de llama deseada. Para apagar un quemador individual, gire su perilla a OFF.
  8. Para encender el quemador lateral, siga los pasos 3-5 usando la perilla del quemador lateral.
- Si el encendedor no funciona, siga las instrucciones de Match Lighting.



## ADVERTENCIA



Gire los controles y la fuente de gas o el tanque a la posición OFF cuando no esté en uso.



## PRECAUCIÓN

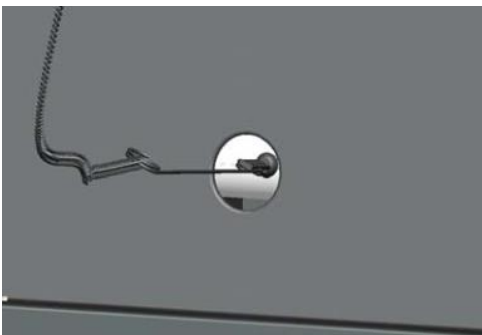


Si la ignición NO ocurre en 5 segundos, apague los controles del quemador, espere 5 minutos y repita el procedimiento de encendido. Si el quemador no se enciende con la válvula abierta, el gas continuará saliendo del quemador y podría encenderse accidentalmente con riesgo de lesión.

### Instrucciones de encendido Match

▲ No se incline sobre la parrilla mientras se enciende.

1. Abra la tapa durante la iluminación.
2. Coloque el fósforo en el soporte para fósforos (colgando en la pata delantera izquierda dentro del gabinete).
3. Empareje la luz e inserte el soporte para fósforos a través del orificio de iluminación en el lado izquierdo de la cámara de combustión. Alinee el fósforo encendido con el primer quemador a la izquierda.
4. Gire la perilla del primer quemador izquierdo a la posición HI. Asegúrese de que el quemador se encienda y permanezca encendido. Retire el soporte del fósforo de la caja de fuego y apague el fósforo.
5. Para encender otros quemadores, gire cada mando en sucesión a HI.
6. Una vez que los quemadores estén encendidos, ajuste los mandos a la configuración de llama deseada. Para apagar un quemador individual, gire su perilla a OFF.



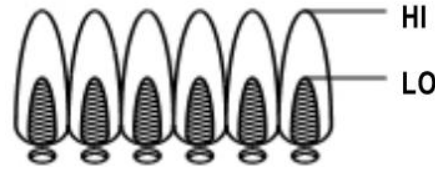
### Quemador lateral Match Lighting

1. **Abra la tapa del quemador lateral.** Encienda el gas en el cilindro LP.
2. Coloque una cerilla encendida cerca del quemador.
3. Gire la perilla del quemador lateral a HI. Asegúrese de que el quemador se encienda y permanezca encendido.



### Comprobación de llama del quemador

- Retire las parrillas de cocción y los domadores de llama. Encienda los quemadores, gire las perillas de ALTO a BAJO. Debería ver una llama más pequeña en posición BAJA que la que se ve en HI. Siempre revise la llama antes de cada uso. Si solo se ve poca llama, consulte "Caída repentina o llama baja" en la sección de solución de problemas.



### Apagar la parrilla

- Gire todas las perillas a la posición OFF. Apague el cilindro de LP. Cuando termine de asar, levante la tapa de la parrilla y deje que la parrilla se enfríe por completo. Si la tapa de la parrilla se cierra durante el enfriamiento de la parrilla, se puede producir condensación en las superficies interiores de la parrilla y posiblemente se oxide.

### Igniter Check

- Apague el gas en el cilindro LP. Mantenga presionado el botón del encendedor electrónico. Se debe escuchar "clic" y se debe ver chispa cada vez entre la caja colectora o el quemador y el electrodo. Consulte "Solución de problemas" si no hay clic o chispa.

### Chequeo de las válvulas

- Importante: Asegúrese de que el gas esté apagado en el cilindro LP antes de revisar las válvulas.

Las perillas se bloquean en la posición OFF. Para revisar las válvulas, primero empuje las perillas y suéltelas, las perillas deben retroceder. Si las perillas no retroceden, reemplace el conjunto de la válvula antes de usar la parrilla. Gire los mandos a la posición BAJA y luego vuelva a la posición OFF. Las válvulas deben girar suavemente.

### Comprobación de manguera

- Antes de cada uso, verifique si las mangueras están cortadas o desgastadas. Reemplace las mangueras dañadas antes de usar la parrilla. Use solo la válvula / manguera / regulador como se especifica en la lista de piezas de esta Guía de uso y cuidado.

### Condimento de rejilla de hierro fundido (si corresponde)

**Primer uso**—Antes del primer uso, sazone las rejillas de hierro fundido de la siguiente manera: Enjuague las rejillas de hierro fundido con agua caliente. No uses jabón.

Seque las parrillas completamente con una toalla de tela. Cubra las parrillas con aceite vegetal o aerosol antiadherente para cocinar. Coloque las parrillas en la parrilla. Arranque la parrilla y lentamente eleve la temperatura a 350 ° - 400 ° F. Calienta las parrillas por una hora. Apague la parrilla y permita que las parrillas se enfríen completamente antes de usar para cocinar.

**Limpieza:** no use jabón cuando limpie las parrillas. Limpie las parrillas con un cepillo duro y agua caliente. Seque las parrillas completamente con una toalla de tela. Volver a condimentar: reponga las parrillas cuando aparezcan manchas de óxido en la superficie de la parrilla. Al volver a condimentar las rejillas, se puede usar jabón con agua caliente para limpiar las rejillas.

Después de la limpieza, seque las parrillas completamente con una toalla de tela. Cubra las parrillas con aceite vegetal o antiadherente Spray para cocinar. Coloque las parrillas en la parrilla. Arranque la parrilla y lentamente eleve la temperatura a 350 ° - 400 ° F. Calienta las parrillas por una hora. Apague la parrilla y permita que las parrillas se enfríen completamente antes de volver a usarla.

### Limpieza general de parrilla

- No confunda la acumulación marrón o negra de grasa y humo con la pintura. Los interiores de las parrillas de gas no se pintan en la fábrica (**y nunca deben pintarse**). Aplique una solución fuerte de detergente y agua o use un limpiador para parrillas con un cepillo para fregar en el interior de la tapa y el fondo de la parrilla. Enjuague y deje secar completamente al aire. **No aplique una parrilla cáustica / limpiador de hornos a las superficies pintadas.**
- **Superficies de porcelana:** debido a la composición similar al vidrio, la mayoría de los residuos se pueden limpiar con una solución de bicarbonato de sodio / agua o un limpiador especialmente formulado. Use polvo abrasivo no abrasivo para manchas difíciles.

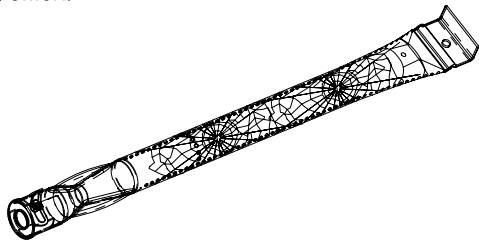


- **Superficies de porcelana:** Debido a su composición vítrea, la mayoría de los residuos se puede eliminar con un paño empapado en una solución de bicarbonato de soda y agua, o con un limpiador especialmente formulado. Use un polvo limpiador no abrasivo para las manchas difíciles de eliminar.
- **Superficies pintadas:** Lávelas con un detergente suave o un limpiador no abrasivo y agua tibia jabonosa. Séquelas con un paño suave, no abrasivo.
- **Superficies para cocinar:** Si utiliza un cepillo de cerdas para limpiar las superficies para cocinar, antes de usar la parrilla verifique que no queden cerdas sueltas sobre éstas. Se recomienda no limpiar las superficies para cocinar cuando la parrilla esté aún caliente.
- **Bandeja de grasa y la Copa:** Limpie regularmente los goteos de grasa de la bandeja de grasa y la grasa de la Copa. Cuando la parrilla se haya enfriado completamente después de su uso, retire la copa de la bandeja y deslice la bandeja de la parrilla. Limpie la grasa de las superficies de la taza y de la bandeja de lavado con un detergente suave o un limpiador no abrasivo y agua tibia jabonosa. Seque con un paño suave no abrasivo. Deslice la bandeja en la parrilla y sustituir la copa de nuevo en la bandeja antes de usar la parrilla nuevamente.

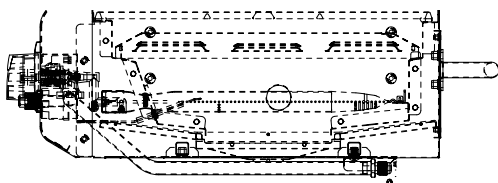


## ¡ALERTA CONTRA

Si usted nota que le es más difícil encender la parrilla o que la llama es más débil de lo normal, examine y limpie los tubos Venturi.



If you notice that your grill is getting hard to light or that the flame isn't as strong as it should be, take the time to check and clean the venturi's.



Las arañas y los insectos pequeños han producido "fogonazos". Las arañas tejen sus telas, hacen sus nidos y ponen sus huevos en los tubos Venturi de las parrillas, que obstruyen el paso del gas al quemador. El gas que se acumula dentro de los tubos Venturi, ubicados en la parte posterior del tablero de control, se puede encender. A esto se le llama "fogonazo", y puede dañar su parrilla e, incluso, puede producir lesiones.

Para evitar los fogonazos y garantizar el buen funcionamiento, retire la unidad del quemador y del tubo Venturi y límpielos antes de usar la parrilla, si no la ha usado durante un tiempo prolongado.

## Cómo limpiar la unidad del quemador

Siga estas instrucciones para limpiar o cambiar piezas de la unidad del quemador, o si tiene problemas para encender la parrilla.

1. Cierre el paso de gas en las perillas de control y desde el tanque de gas.
2. Retire las parrillas de cocción y Termodisipador.
3. Retire los tornillos y los tubos de arrastre de la parte posterior de los quemadores.
4. Retire los tornillos y las arandelas para desconectar el quemador del soporte de la cámara de combustión.
5. Levante y retire cuidadosamente cada quemador de las aberturas de la válvula.

## Limpieza de la unidad del quemador

Siga estas instrucciones para limpiar y / o reemplazar partes de la hornilla

montaje o si tiene problemas para encender la parrilla.

1. Apague el gas en las perillas de control y del tanque de gas
2. Retire las parrillas de cocción y los difusores de calor.
3. Retire el pasador de chaveta de la parte posterior de los quemadores. ( Ver Fig A. siguiente Page)
4. Levante cuidadosamente cada hornilla y retírela de las aberturas de las válvulas.

Sugerimos tres maneras de limpiar los tubos del quemador. Utilice el más fácil para usted.

Sugerimos tres maneras de limpiar los tubos del quemador. Siga la que le sea más fácil.

- (A) Doble un alambre rígido (un gancho de alambre para ropa sirve bien) para formar un gancho pequeño. Pase varias veces el gancho a través del tubo de cada quemador.

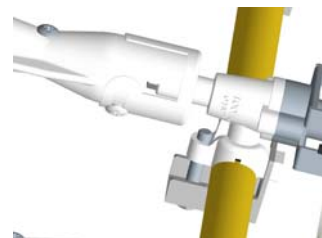


- (B) Use un cepillo delgado de botella, de mango flexible (no use un cepillo de alambre de latón), páselo varias veces a través del tubo de cada quemador.

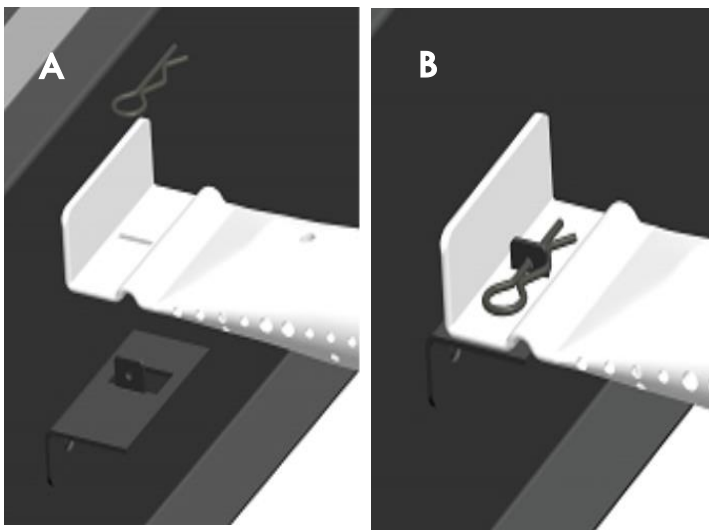
- (C) **Use protectores para la vista:** Con una manguera neumática, fuerce el paso del aire a través del tubo y de los puertos del quemador. Examine cada puerto para verificar que el aire salga a través de cada orificio.

5. Cepillo de alambre toda la superficie exterior del quemador para eliminar los residuos de comida y la suciedad.
6. Limpie los puertos bloqueados con un alambre rígido, como una clip de papel abierta.
7. Compruebe quemador para detectar daños, debido al desgaste normal y corrosión algunos orificios pueden alargarse. Si se encuentran grandes grietas o agujeros, cambie el quemador..

**MUY IMPORTANTE:** Los tubos del quemador se deben volver a aberturas de la válvula. Vea las ilustraciones de abajo.

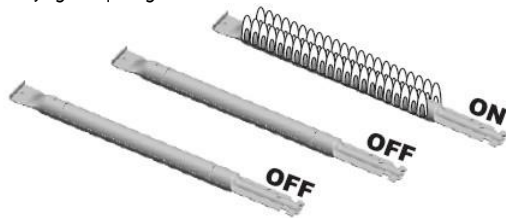


8. Vuelva a colocar cuidadosamente los quemadores.
9. Fije los quemadores a los soportes con cierre de seguridad. ( Ver Fig B. siguiente Page) Vuelva a colocar difusores de calor y las parrillas de cocción.



## Cocina indirecta

Las aves de corral y los grandes cortes de carne se cocinan lentamente a la perfección en la parrilla por calor indirecto. Coloque los alimentos sobre los quemadores sin encender; el calor de los quemadores iluminados circula suavemente por toda la parrilla, cocinando carne o aves sin tocar una llama directa. Este método reduce en gran medida los brotes cuando se cocinan cortes grasos extra porque no hay llama directa para encender las grasas y los jugos que gotean durante la cocción.

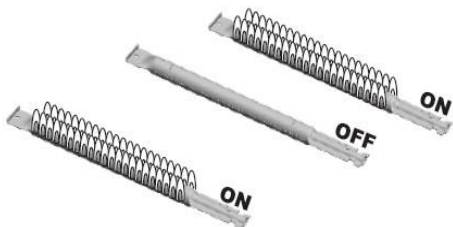


### 1 Quemador de cocina

Cocine con calor directo o indirecto. Lo mejor para comidas o comidas más pequeñas. Consume menos combustible

### Instrucciones para cocinar indirectos

- Siempre cocine con la tapa cerrada.
- Una vez que los quemadores estén encendidos, apague un quemador individual girando su perilla a OFF.
- Debido a las condiciones climáticas, los tiempos de cocción pueden variar. En condiciones de frío y viento, es posible que se deba aumentar la temperatura para asegurar suficiente calor de cocción.
- Coloque los alimentos sobre los quemadores sin encender.



### 2 Quemador de cocina

Gran cocina indirecta en baja. Produce un calentamiento lento y uniforme. Ideal para tostar y hornear lentamente.

## Seguridad alimentaria

La seguridad alimentaria es una parte muy importante del disfrute de su parrillada al aire libre. Para mantener los alimentos a salvo de las bacterias dañinas, siga estos cuatro pasos básicos: Limpia: Lávese las manos, los utensilios y las superficies con agua caliente y jabón antes y después de manipular carnes y aves crudas.

Separe: Separe las carnes crudas y aves de corral desde listos para comer los alimentos para evitar la contaminación cruzada. Use un plato limpio y utensilios de los alimentos preparados.

Cocine: Cocine la carne y aves de corral a fondo para eliminar las bacterias. Use un termómetro para asegurar la temperatura adecuada de alimentos internos.

Chill: Refrigere los alimentos preparados y las sobras con prontitud. Para más información llame al: Carnes y Aves Hotline al 1-800-535-4555 (en Washington, DC (202) 720 a 3333, de 10:00 am 4:00 pm EST).

## Cómo saber si las carnes están bien

- La carne y aves de corral cocinado en una parrilla a menudo se dora rápidamente en el exterior. Use un termómetro para carne para verificar que haya alcanzado una temperatura interna segura, y corte la carne para verificar si hay signos visuales de cocción.
- aves enteras debe alcanzar 180 ° F; pechos, 170 ° F. El jugo debe salir claros y la carne no deben ser de color rosa.
- las hamburguesas hechas con carne molida o ave, debe alcanzar 160 ° F, y ser de color marrón en el medio, sin jugos de color rosa. Carne de res, ternera y cordero, asados y chuletas se pueden asar a 145 ° F. Todos los cortes de cerdo debe alcanzar 160 ° F.
- NUNCA parcialmente carne o de aves y terminar la cocción más tarde. Cocine los alimentos completamente, para destruir las bacterias dañinas.
- Cuando recaliente los alimentos de comida rápida o las carnes ya cocidas por completo perros calientes, parrilla a 165 ° F, o hasta que emitan vapor.

**ADVERTENCIA:** Para asegurarse de que es seguro para comer, los alimentos deben cocinarse a las temperaturas internas mínimas que figuran en la siguiente tabla.

USDA* Temperaturas internas mínimas de cocción	
Carne de res, ternera, cordero y cerdo – Corta todo **	145° F
Pescado	145° F
Carne de res, ternera, cordero y cerdo– Carne	160° F
Platos a base de huevos	160° F
Pavo, pollo y pato - piezas enteras, y de tierra	165° F

\* Departamento de Agricultura de Estados Unidos

\*\* Permitir que la carne de un descanso de tres minutos antes de cortarlo o consumir.

## LISTA DE PIEZAS

Clave	Descripción	Cant	Pieza No.	Clave	Descripción	Cant	Pieza No.
1	Tapa del quemador lateral	1	40800064	35	Panel posterior	1	40700080
2	Girar Rod, quemador lateral Tapa	2	40800118	36	tanque baffle	1	40800090
3	Quegador lateral de cuadrícula	1	40800119	37	Cuadro izquierdo	1	40700052
4	Quegador lateral Base	1	40800063	38	Máscara, Repisa Del Lado	1	40900040
5	Encendedor de alambre, quemador lateral	1	40800120	39	Repisa Del Quemador Lateral	1	40900143
6	Quegador lateral	1	40800121	40	Goteo Copa	1	40800026
7	Estante lateral derecho	1	40900145	41	Goteo Copa videoclip	1	40800131
8	Estante lateral barra de soporte en ángulo	2	40900109	42	Caja de Fuego	1	61100008
9	Máscara, Estante lateral derecho	1	40900046	43	Caucho de silicona parachoques	2	50300205
10	Módulo encendido electrónico	1	40800122	44	Logotipo	1	40800106
11	Panel de control	1	61100017	45	Indicador de temperatura	1	40900218
12	Válvula de gas, quemador principal	6	40900205	46	Girar Rod, Tapa	2	50300207
13	Quegador lateral Manguera	1	40900210	47	Tapa	1	61100004
14	Válvula de gas, quemador lateral	1	40900209	48	Caucho de silicona parachoques	2	40700103
15	Múltiple, quemador principal	1	61100021	49	Espacio de aislamiento, Tapa	2	40700022
16	Bisel, perilla de control	7	40900036	50	Bisel, mango de la tapa	2	40900013
17	Perilla de control	7	40900206	51	Mango de la tapa	1	61200011
18	Regulador	1	40800115	52	Calentamiento rack	1	61100047
20	Contter Pin	11	110050	53	Parrilla de cocción	3	40800110
19	Titular del tanque de gas	1	40800130	54	El calor Difusor	6	40800023
21	Cesta Izquierda panel inferior	1	61100026	55	Llama Carry Over Tubo	5	40800022
22	Puerta Imán Box	2	40700111	56	quemador principal	6	40700125
23	Imán de la puerta	1	40700110	57	Bandeja de goteo	1	61100014
24	Caster	2	40700101	58	Encendedor de alambre, quemador principal	1	61200206
25	Caster Con freno	2	40700100	59	Rail Volver	1	61100033
26	Mantenga Pin fijo	1	40800134				
27	Panel lateral	1	40700059				
28	cuadro derecho	1	40700071				
29	Titular Partido	1	40800128				
30	Partido sostenedor del soporte	1	40800129				
31	puerta Derecha	1	61100044				
32	Tirador de puerta	2	61200217				
33	puerta Izquierda	1	61100039				
34	Rail puerta	1	61100035				

No se ilustra

Paquete De Herrajes	1	61100060
Manual Del Producto	1	61100101

Si le faltan componentes o tiene piezas dañadas después de desempacar la parrilla, llame al 1-888-287-0735 para reemplazarla.

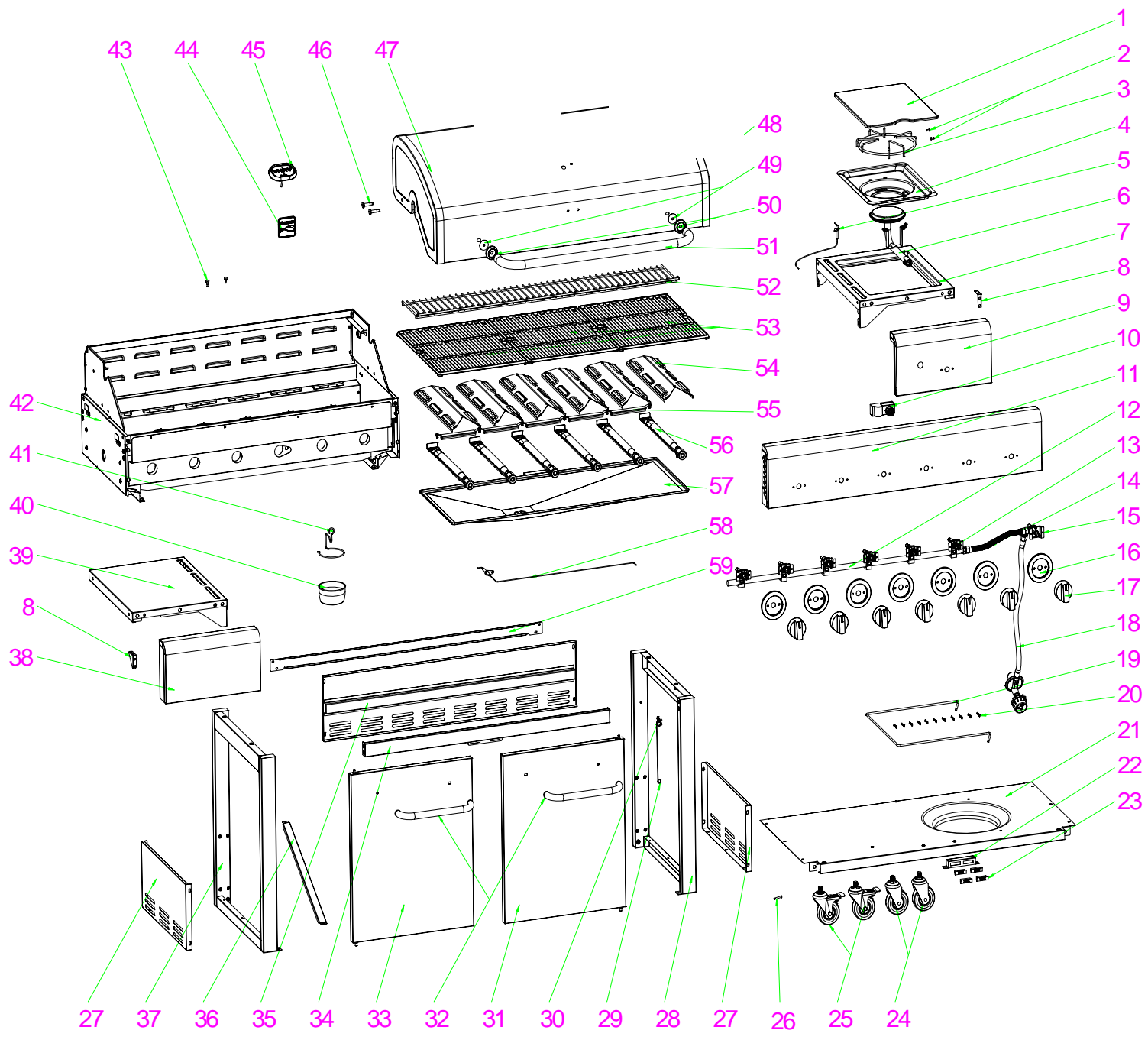
Para pedir piezas de repuesto después de usar la parrilla, llame al 1-888-287-0735

Or Visit us at [www.permasteel.net](http://www.permasteel.net)



**NOTA:** Algunas de las piezas de la parrilla, ilustradas en los pasos de armado, pueden ser ligeramente diferentes a las de su modelo de parrilla. Sin embargo, el método de armado es el mismo.

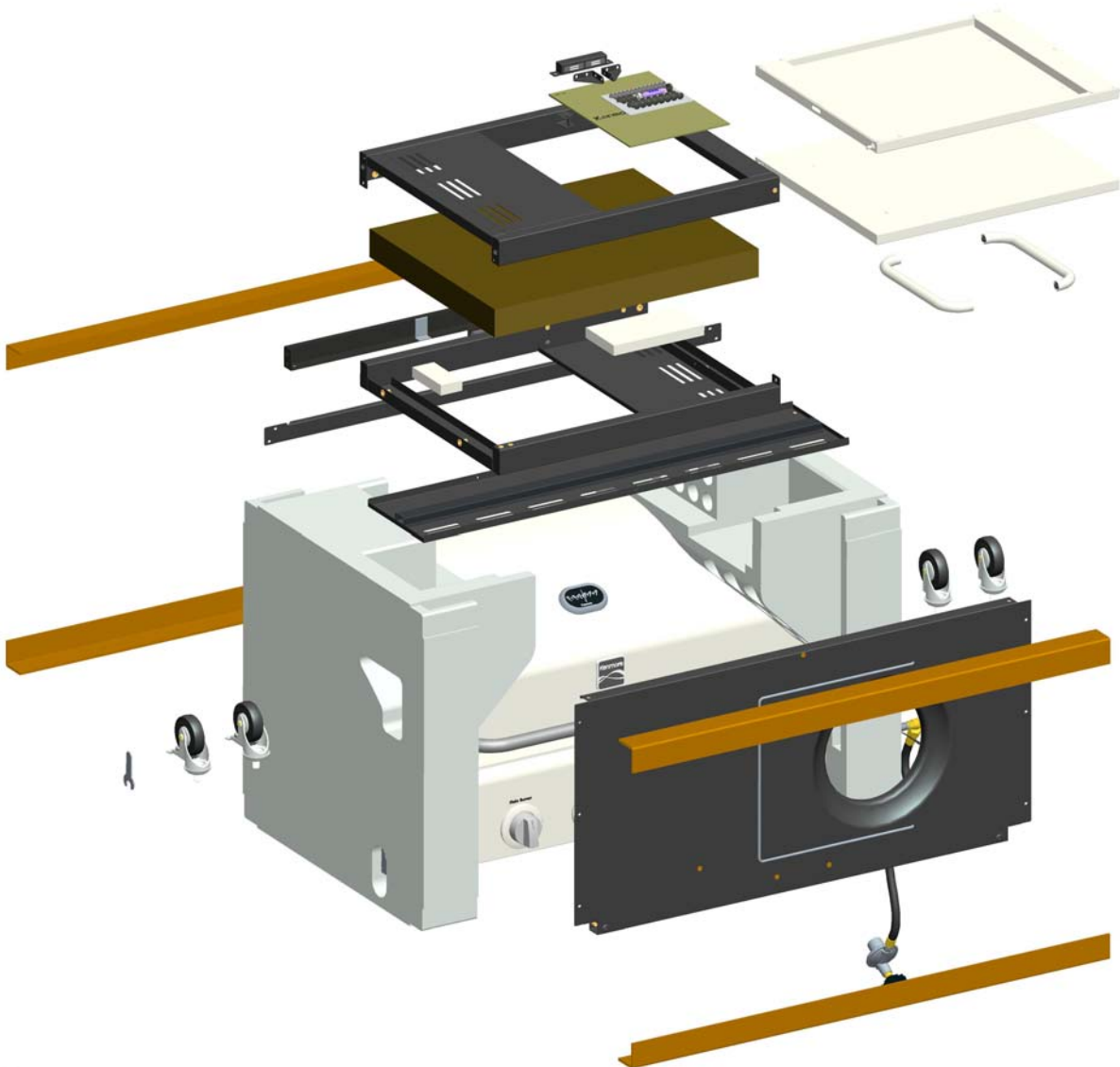
# DIAGRAMA DE PARTES





## ANTES DE ASAMBLEA

**AVISO:** Una vez que haya desembalado la parrilla según las instrucciones HOJA DE PARADA, revise todas las piezas de la parrilla en contra de las fotografías de esta y las dos páginas siguientes. Si falta alguna pieza o está dañada, llame a 1-888-287-0735



0001

**ANTES DE ASAMBLEA**



## ANTES DE ASAMBLEA

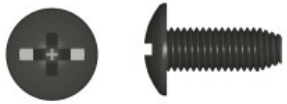







## ANTES DE ASAMBLEA

Marco cuidadosamente leer y realizar todas las instrucciones en las páginas siguientes.

### Herramientas requeridas:

- Llave ajustable (no suministrada)
- destornillador (no incluido)
- 7/16" llave combinada (no incluida)
- El siguiente hardware es proporcionado en el paquete de hardware para el uso conveniente.

<p>▪ Tornillo M4X10 Qty: 33 PC</p> 	<p>Batería AAA Qty: 1 PC</p> 
<p>Tornillo M5X10 Qty: 6 PC</p> 	<p>Arandela de fibra de M5 Qty: 4 PC</p> 
<p>Tornillo M6X13 Qty: 16 PC</p> 	<p>Arandela de compresión M6 Qty: 8 PC</p> 

# 1

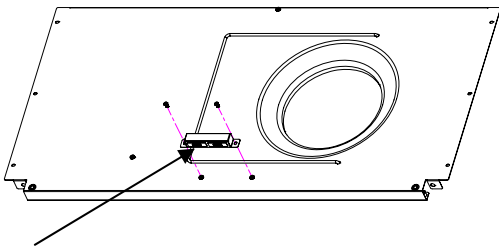
## Estante inferior

- Coloque los imanes de las puertas de estante inferior con (2) tornillos M4x10.
- Fije los Paneles Izquierdo y el Lado Derecho a los Lados del estante con inferior (6) tornillos M4X10
- Adjuntar lados del estante inferior a izquierda y conjuntos de paneles derecho con (6) tornillos M4x10.

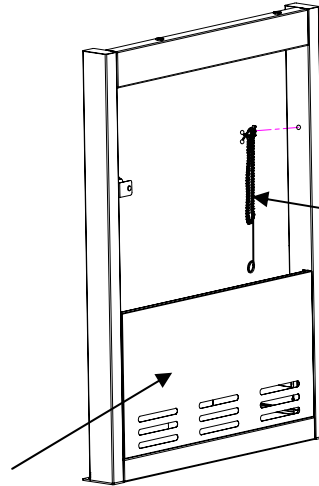
No apriete completamente en este momento. Cesta no estar al mismo nivel. Esto se corregirá cuando se instala el panel posterior.



Tornillos M4X10 Qty: 8 PC

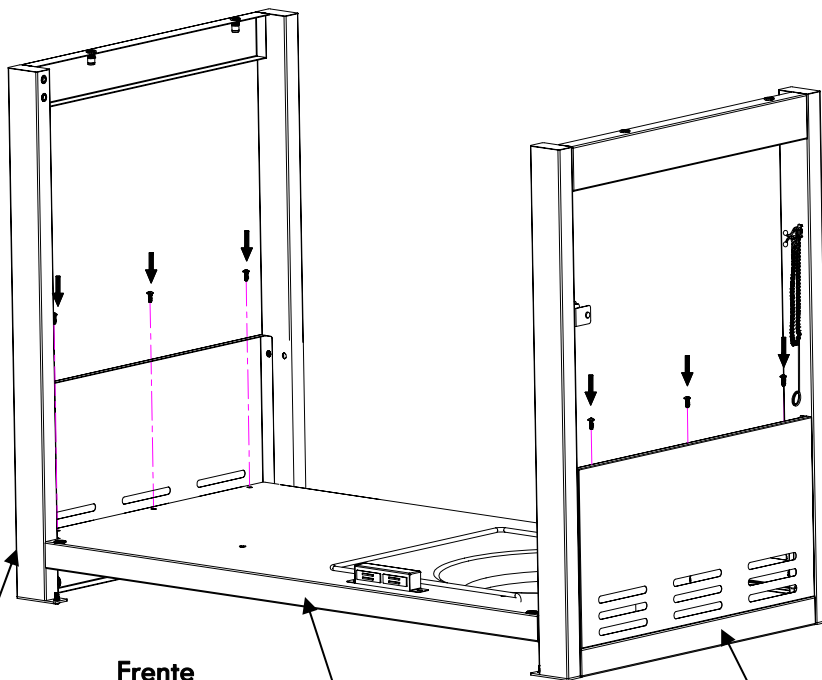


Imanes



Titular Partido

Panel Lateral Derecho



Frente

Ensamblaje del panel de la izquierda

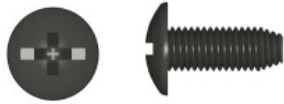
Estante inferior

Derecho Asambla Panel

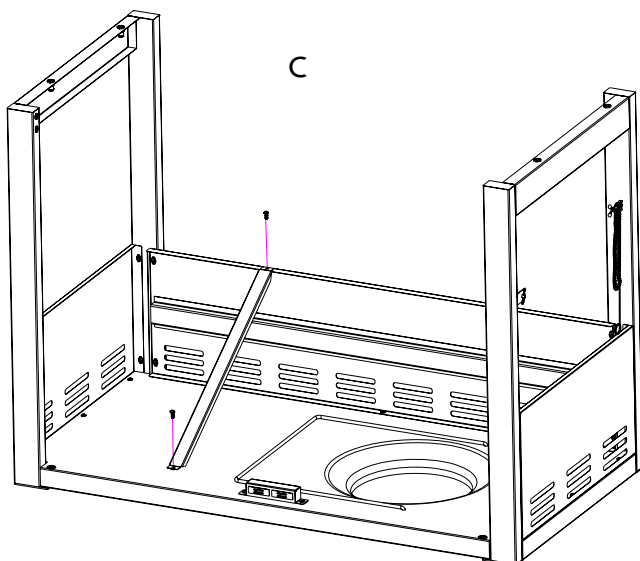
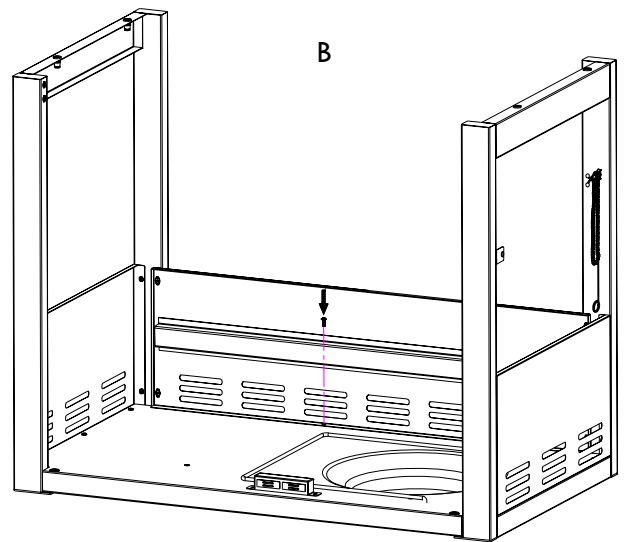
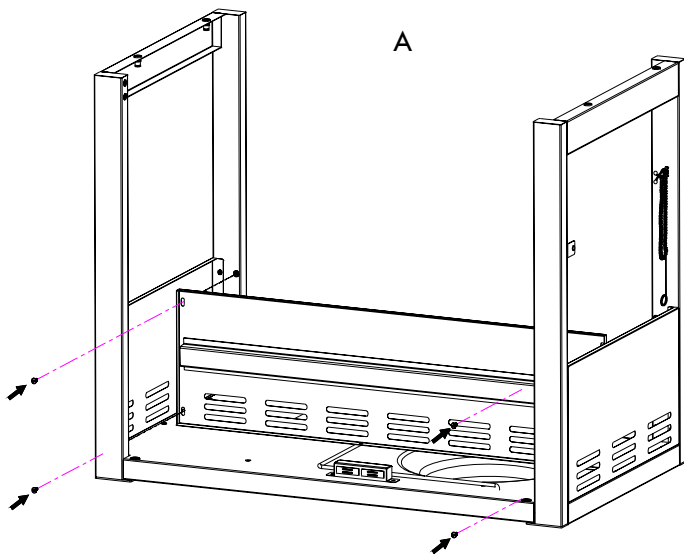
# 2

## Carrito

- Coloque el panel trasero a los conjuntos de paneles izquierdo y derecho con **(4) tornillos M4x10**. (A)
- Conecte el panel trasero de la repisa inferior con **(1) tornillo M4x10**. (B)
- Conecte deflector tanque para paneles frontales y estante inferior con **(2) tornillos M4x10**. (C)



Tornillos M4X10 Cant.: 7 PC



# 3

## Ruedas a la Cesta

- ❑ Encienda la compra al revés. Alinear los orificios laterales estante inferior con agujeros de la pierna.
- ❑ Conecte lados del estante inferior a cuatro patas con **(4) tornillos M6x13. (A)**
- ❑ Conecte los dos pata delantera termina al estante inferior con **(2) tornillos M5x10. (A)**
- ❑ Tornillo de las ruedas en cada extremo inferior de la pierna. Nota: Las ruedas con frenos deben ser montados en la parte trasera del estante inferior. Apriete con la llave de lanzador (siempre con ruedas) en sentido antihorario. (B)
- ❑ Apriete completamente todos los tornillos, superior e inferior.

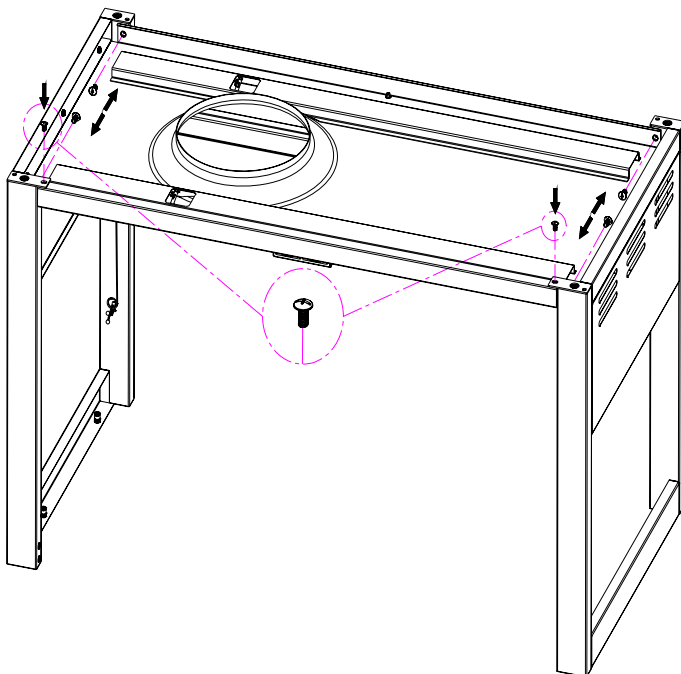


Tornillos M5X10 Qty.: 2 PC

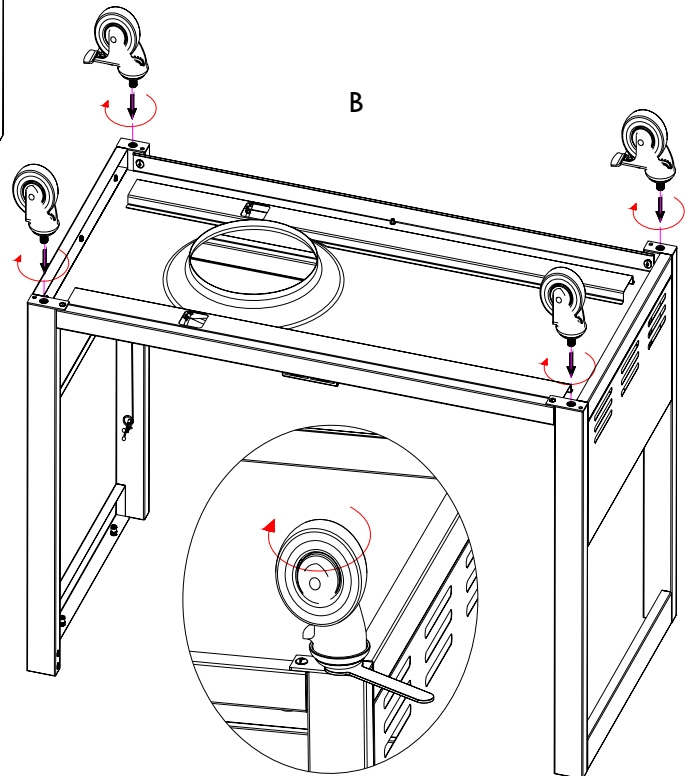


Tornillos M6X13 Qty: 4 PC

A



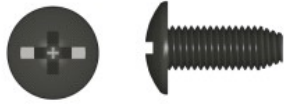
B



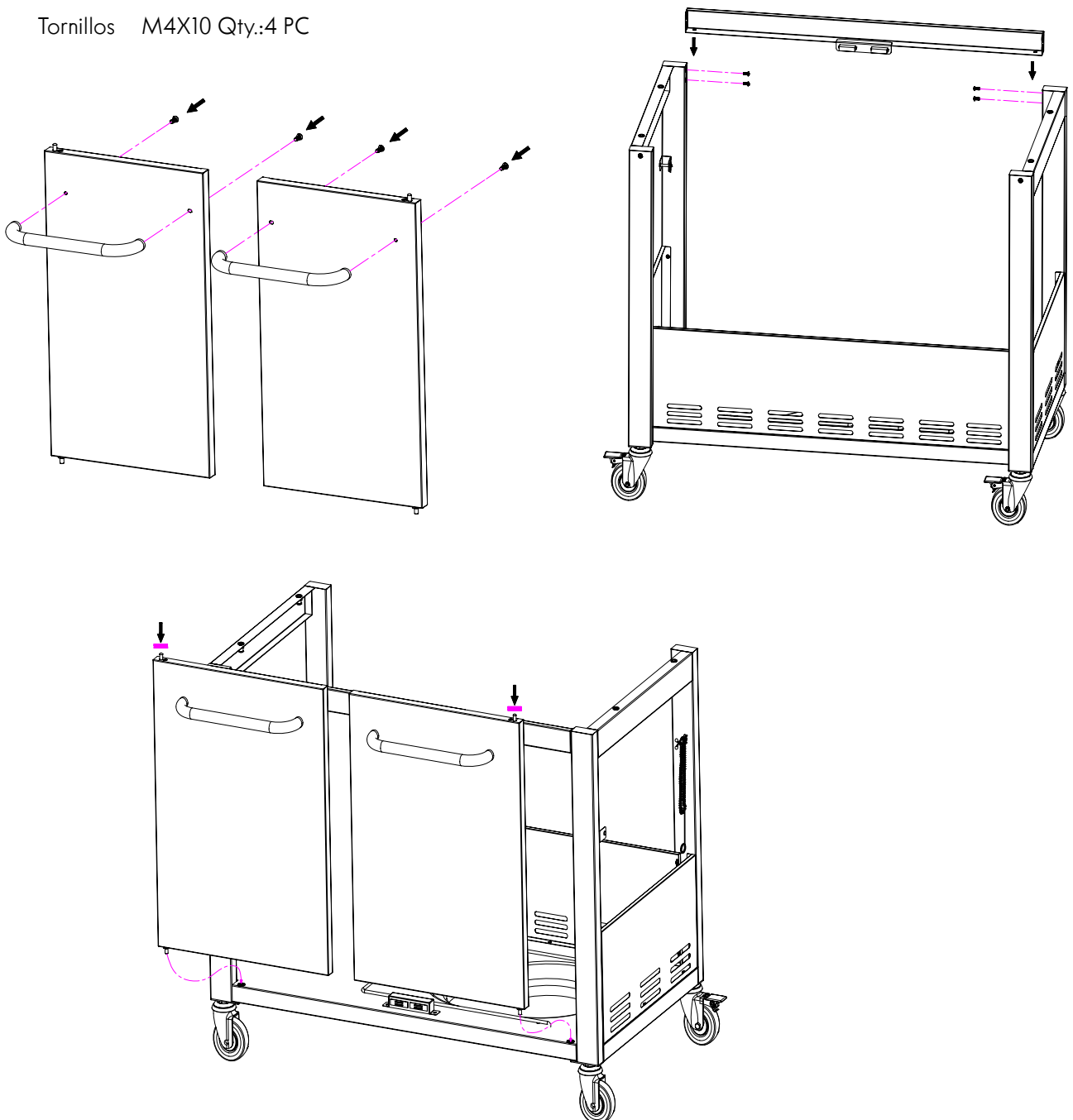
# 4

## Puertas delanteras

- Soporte cesta vertical.
- orificios del soporte de la puerta se alinean con agujeros en las patas delanteras. Fije el soporte de puerta a la izquierda y conjuntos de panel derecho con **(4) tornillos M4x10**. Nota: Fije el soporte de modo que los imanes son en el fondo.
- Retire los tornillos pre-montados en los extremos de la manija de la puerta, y los utilizan para fijar las manijas de las puertas.
- Inserte el pasador de la puerta inferior en el agujero en el estante inferior. Empuje hacia abajo el pasador de la puerta superior, alinearlos debajo agujero en soporte de la puerta, y liberar pin para que se inserta en el agujero.
- Repita este paso para la otra puerta.



Tornillos M4X10 Qty.:4 PC





# 5

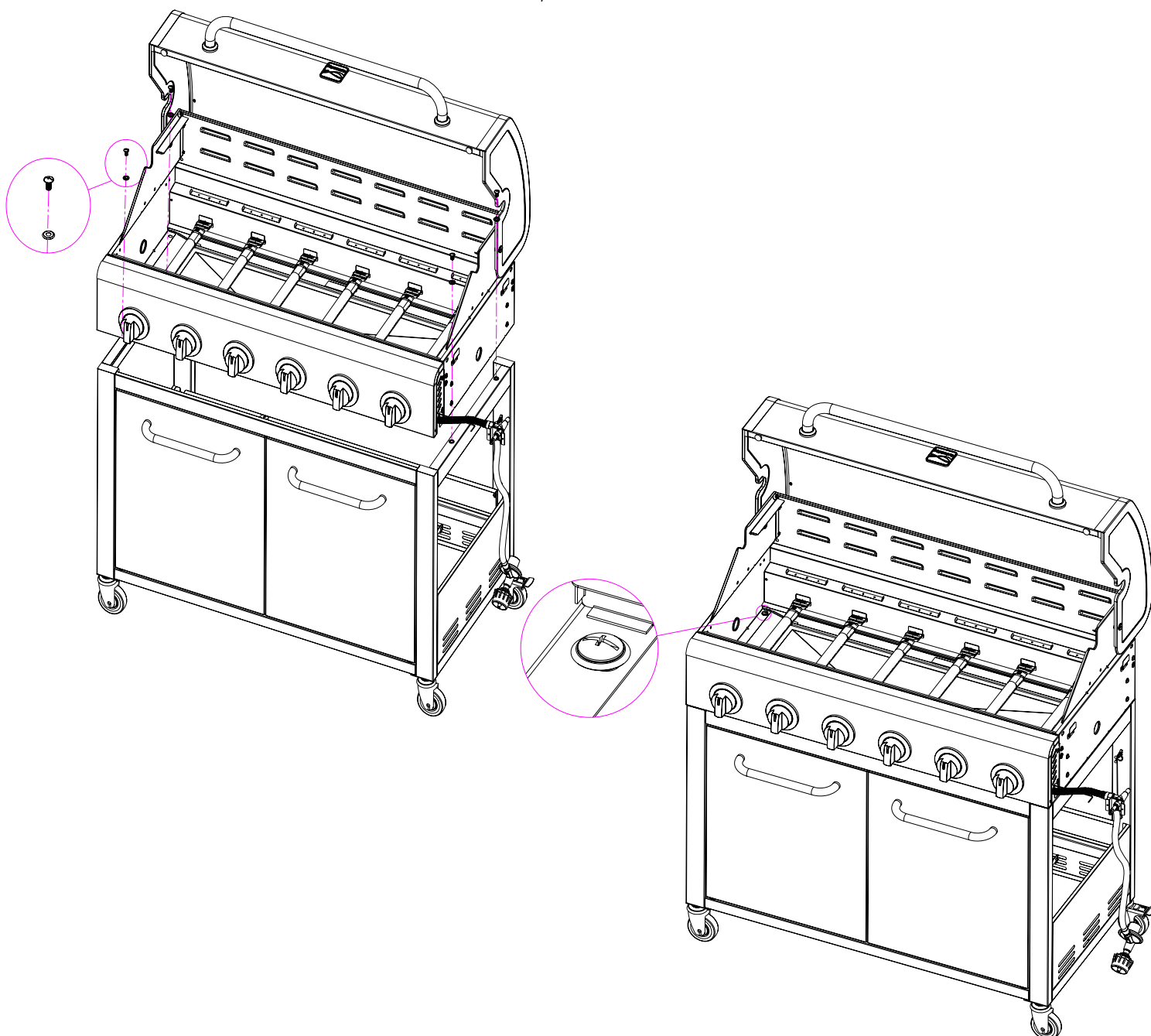
## Cabeza carro de la parrilla

- Este paso requiere de dos personas para levantar y la posición de la parrilla la cabeza sobre el carrito.
- Retire las abrazaderas que sujetan la manguera del regulador a la parte inferior de la cabeza de la parrilla. Tire de la manguera y los cables de ignición a lado de la cabeza de la parrilla.
- Baje con cuidado la cabeza de la parrilla sobre el carrito. Asegúrese de que la manguera del regulador y los cables de ignición están colgando fuera del carrito. Abra la tapa y coloque la cabeza a la cesta con **(4) tornillos M6x13** y **arandelas de compresión M6**.



Tornillos M6X13 Qty.: 4 PC

Arandelas de compresión de M6 Qty.: 4 PC



# 6

## Repisa lateral izquierdo

- Adjuntar fascia de la repisa del lado izquierdo con (2) tornillos M5x10 y arandelas planas M5. (LA)
- Conecte estante lateral barra de soporte en ángulo con (4) tornillos M4x10. (B)
- Cuelgue estante en los soportes en el lado izquierdo de la caja de fuego.
- Fije la repisa de la cámara de combustión de la siguiente manera:
  - - Desde el interior al exterior de la cámara de combustión con (2) tornillos M6x13 y arandelas de compresión M6. (C)
  - - Desde el exterior al interior de la cámara de combustión con (2) tornillos M6x13. (D)
- Adjuntar fascia al panel de control con (1) tornillo M4x10. (D)



Tornillos M5X10 Qty.:2 PC

Arandelas de fibra de M5 Qty.:2 PC

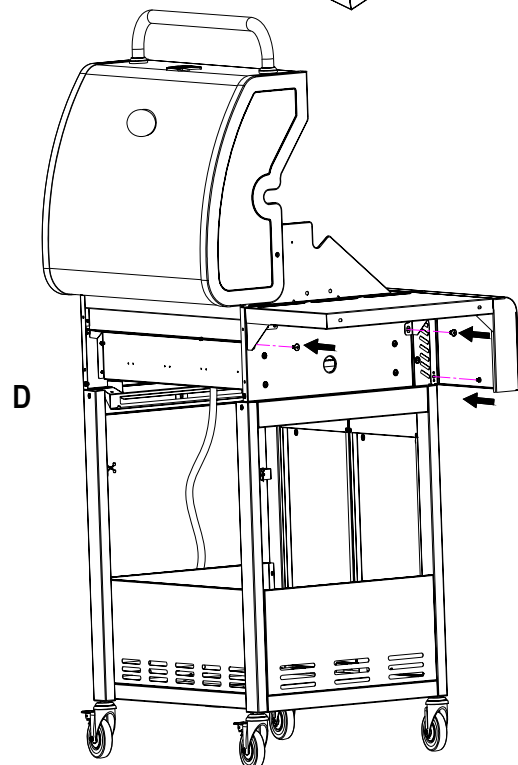
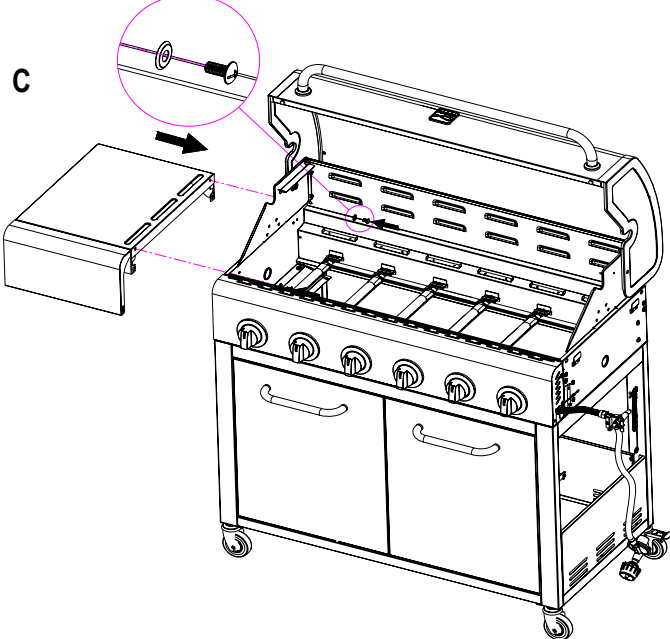
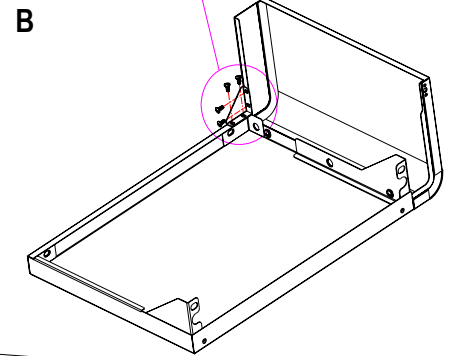
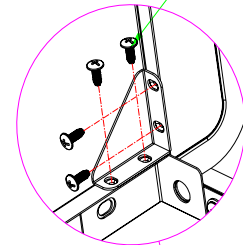
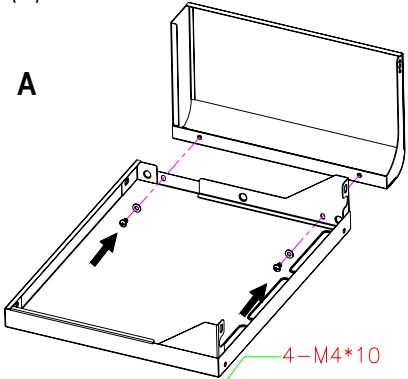


Tornillos M6X13 Qty.:4 PC

Arandelas de compresión de M6 Qty.: 2 PC



Tornillos de M4X10 Qty.:5 PC



# 7

## Repisa lateral derecha

- Retire la rejilla del quemador lateral de la hornilla lateral antes de montar y fijar el estante lateral derecho.
- Adjuntar fascia de la repisa del lado derecho con (2) tornillos de M5x10 y arandelas planas M5. (A)
- Conecte estante lateral barra de soporte en ángulo con (4) tornillos M4x10. (B)
- Cuelgue la repisa del lado derecho en los soportes en el lado derecho de la cámara de combustión.
- Fije la repisa de la cámara de combustión de la siguiente manera:
  - - Desde el interior al exterior de la cámara de combustión con (2) tornillos M6x13 y arandelas de compresión M6 (C)
  - - Desde el exterior al interior de la cámara de combustión con (2) tornillos M6x13. (D)
- Adjuntar fascia al panel de control con (1) tornillo M4x10. (D)



Tornillos M5X10 Qty.:2 PC



Arandelas de fibra de M5 Qty.:2 PC



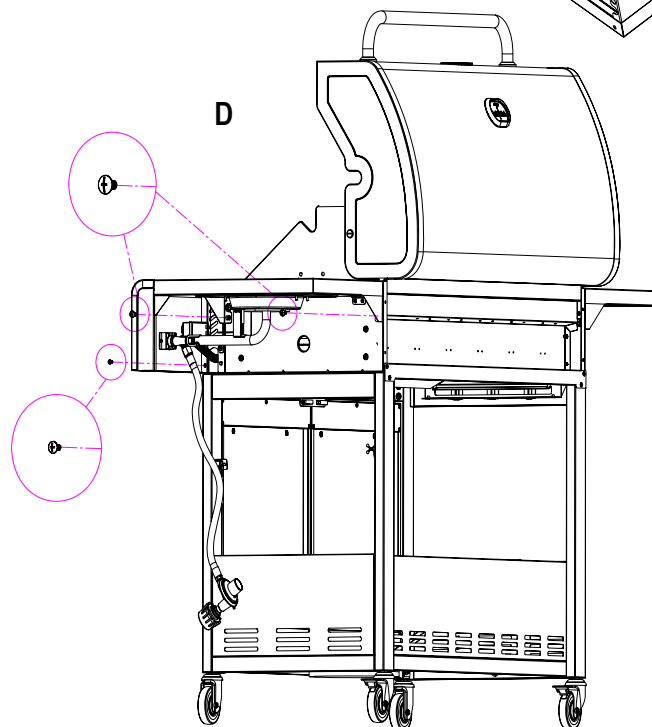
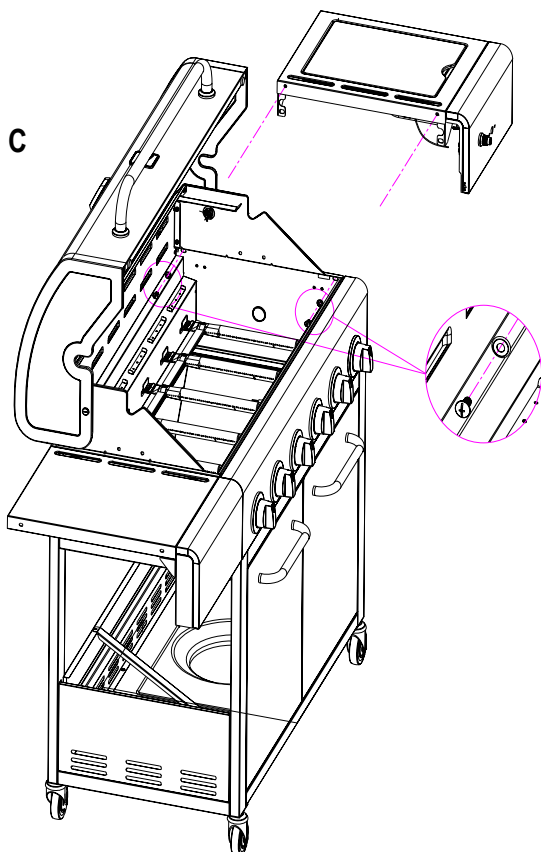
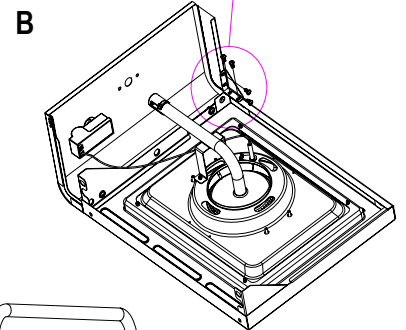
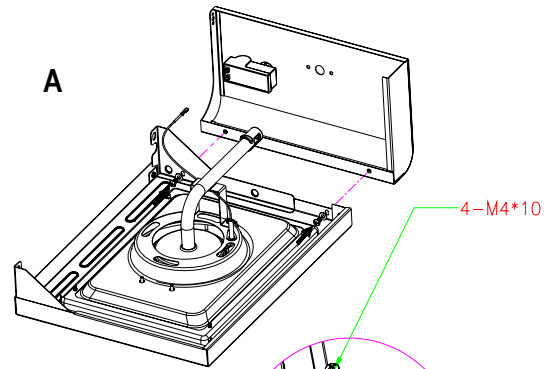
Tornillos M6X13 Qty.:4 PC



Arandelas de compresión de M6 Qty.: 2 PC



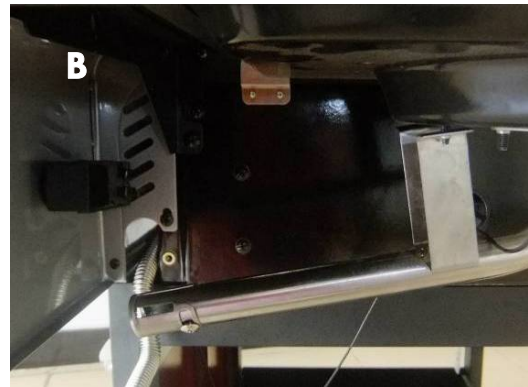
Tornillos de M4X10 Qty.:5 PC



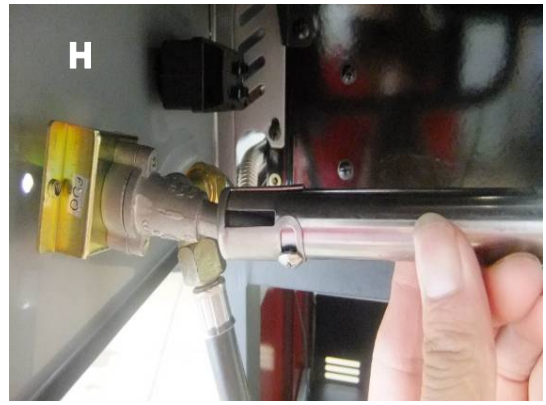
# 8

## Side burner

- Afloje quemador lateral en la repisa lateral. (B). Para aflojar, desenroscar y quitar dos tornillos delanteros y arandelas que sostienen quemador lateral en su lugar. (LA). Nota: No afloje el tornillo del electrodo.
- Retire los 2 tornillos preinstalados del vástago de la válvula y la puso a un lado. (C)
- Inserte vástago de la válvula a través del agujero en la fascia. (D). Instale retirados anteriormente 2 tornillos .Nota: No apriete estos 2 tornillos hasta que el bisel se fija a la fascia y la válvula de la cara. (E).
- Adjuntar bisel a cara facial y válvula con los tornillos instalados .Firstly adjuntar ojo de la cerradura de un lado de bisel al tornillo, a continuación, conecte el otro para el otro tornillo. Asegúrese de que frente a la marca de negro arriba. (F). Apriete los 2 tornillos. (G)
- tubo del quemador lateral Coloque sobre la válvula, asegurándose de que la válvula es de tubo quemador lateral interior. (H)
- perilla de control de empuje en el vástago de la válvula del quemador lateral. (I)
- Vuelva a colocar el quemador lateral en el lado repisa del quemador con los 2 tornillos retirados previamente. Vuelva a colocar la rejilla del quemador lateral. (J)
- Conectar ambos cables de encendido al módulo de encendido en el interior de la fascia derecha. Para conectar, empuje consejos de alambre de ignición en los pasadores en el módulo de encendido. (K)
- Desenrosque la tapa del encendedor del panel de control. Inserte (l) pila AAA (suministrada en blister) en la ranura de la batería con el polo positivo (+) hacia afuera. Atornille la tapa del encendedor de nuevo en el panel. (L)



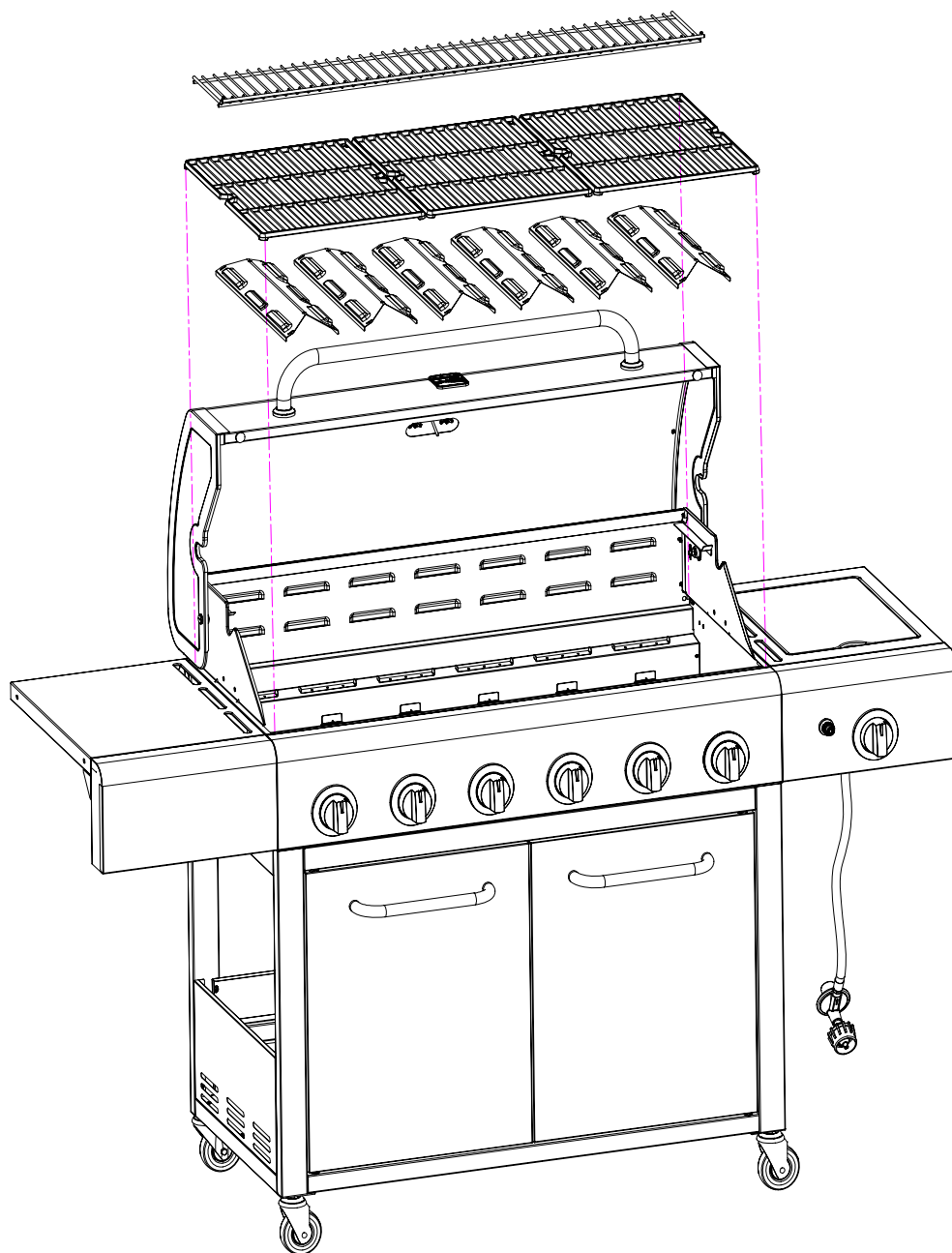




# 9

## Termodisipadores ,Parrilla de cocción y rejilla basculante

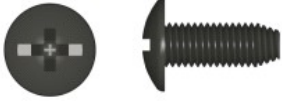
- Difusores Lugar de calor sobre los quemadores mediante la inserción de pestañas en las ranuras en el frente y parte posterior de la cámara de combustión.
- Difusores Lugar de calor sobre los quemadores. Los difusores se ajusta en la cámara de combustión en cualquier dirección. Lengüetas de ajuste frente cámara de combustión a través de ranuras en consejos difusor. Consejos difusor Fit más fichas en trasero cámara de combustión en la parte delantera y trasera de la cámara de combustión.
- Inserte la rejilla para calentar en los soportes en la parte superior de la caja de fuego como se muestra.



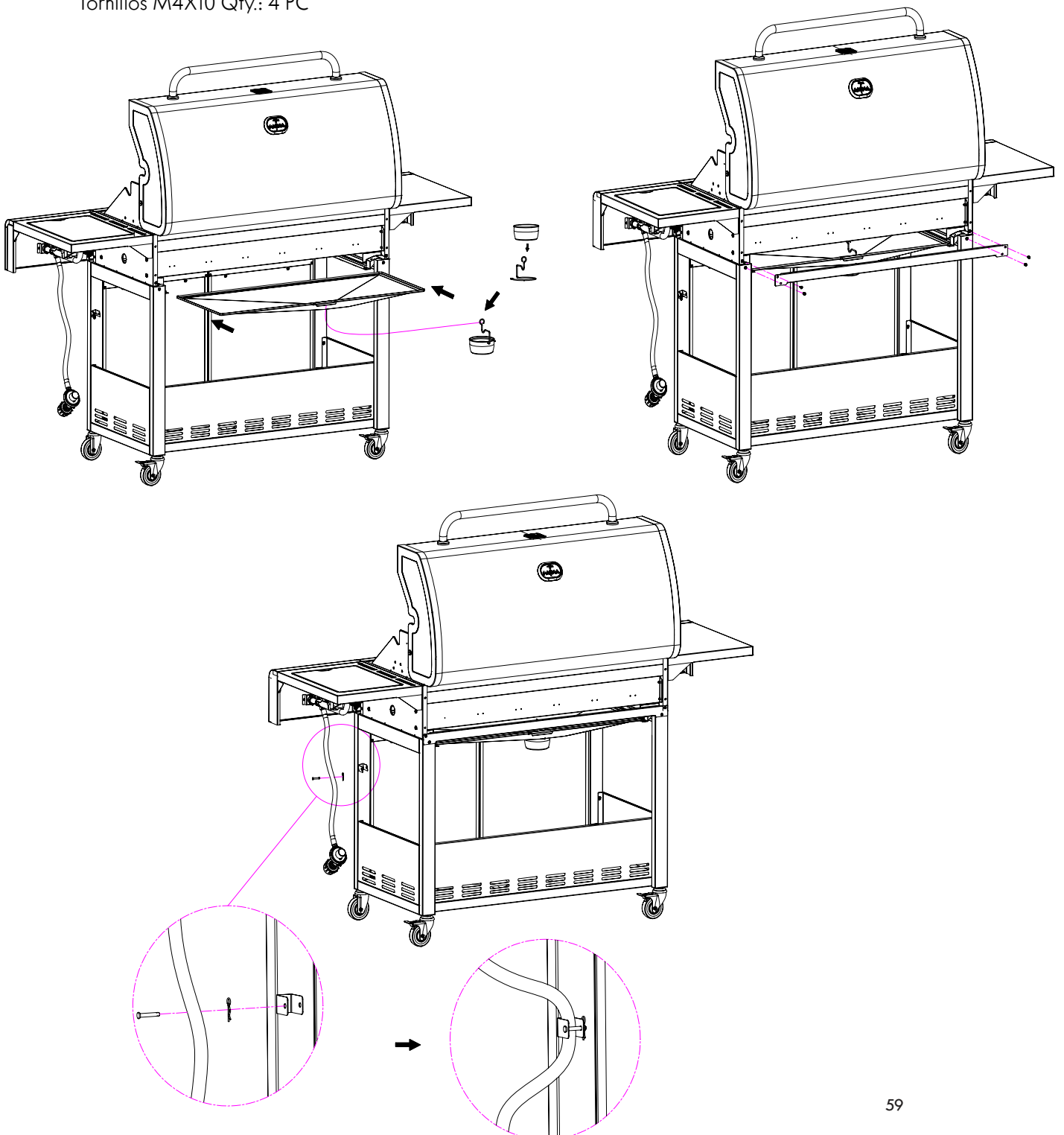
# 10

## Presilla, recipiente para la grasa y Tanque de gas

- Cuelgue la presilla para el recipiente para la grasa del fondo de la cámara de combustión, y coloque el recipiente en la presilla. Make sure the grease Drainage hole on the right side is, as seen from the back of the grill. Into Place grease cup grease cup clip.
- alinear los huecos con agujeros carril de vuelta en las piernas traseras y la cámara de combustión. Coloque de nuevo carril con **(4) tornillos M4x10**
- de alimentación de la manguera del regulador a través del soporte de la manguera en la pierna delantera derecha y fijar con la chaveta.



Tornillos M4X10 Qty.: 4 PC





# 11

## LP del tanque

- Tanque de gas se vende por separado. Use sólo con un (dispositivo de protección contra sobrellenado) OPD tanque de gas equipada. Relleno y fugas cheque antes de conectarlo a la parrilla y el regulador.
- Tanque Place LP en el orificio de la repisa inferior con la apertura de cuello del tanque frente a la parte delantera como se muestra. Levante titular de tanque para mantener el tanque de gas en su lugar.
- Cuando la parrilla está en la ubicación deseada, bloquee los frenos de las ruedas; esto ayudará a la estancia de la parrilla en su lugar para una operación segura.



	<b>CAUTION</b>	
<p>Si no instala el recipiente para la grasa y su presilla, goteará grasa caliente desde el fondo de la parrilla, lo que puede ocasionar el riesgo de incendio o de daños a la propiedad.</p>		

	<b>CAUTION</b>	
<p>Si no se instala correctamente el tanque se puede dañar la manguera de gas durante el suministro, lo que puede ocasionar el riesgo de incendio.</p>		

**EMERGENCIAS: Si no se puede detener una fuga de gas, o si ocurre un incendio debido a una fuga de gas, llame a los bomberos.**

Emergencias	Causas probables	Medidas de prevención / solución
<p>Fuga de gas de mangueras quebradas, cortadas o quemadas.</p> <p>Fuga de gas del cilindro.</p> <p>Fuga de gas de la válvula del cilindro de gas.</p> <p>Fuga de gas entre cilindro de gas y la conexión del regulador.</p> <p>Sale fuego a través del panel de control.</p> <p>Hay continuamente fuego de la goteo o demasiadas llamas sobre la superficie de cocinar.</p>	<ul style="list-style-type: none"> <li>• Manguera dañada.</li> <li>• Falla mecánica debido a la oxidación o al mal uso.</li> <li>• Falla de la válvula del cilindro debida a mal uso o a falla mecánica.</li> <li>• Instalación inadecuada, la conexión no está bien apretada, falla de la junta de caucho.</li> <li>• Fuego en la sección del tubo del quemador debido a un bloqueo.</li> <li>• Demasiada goteo acumulada en la zona del quemador.</li> </ul>	<ul style="list-style-type: none"> <li>• Cierre el gas en el cilindro o en la fuente de los sistemas de gas natural. Si tiene todo tipo de desperfectos, pero no está quemada, cambie la válvula/la manguera/ el regulador. Si está quemada, deje de usar el producto hasta que un plomero haya investigado la causa y haya hecho las correcciones.</li> <li>• Cambie el cilindro de gas.</li> <li>• Cierre la válvula del cilindro de gas. Devuelva el cilindro al proveedor de gas.</li> <li>• Cierre la válvula del cilindro de gas. Retire el regulador del cilindro y examine visualmente la junta de caucho para detectar cualquier daño. Lea las secciones tituladas Prueba para detectar fugas en un cilindro de gas y Como conectar el regulador al cilindro de gas.</li> <li>• Cierre las perillas de control y la válvula del cilindro de gas. Deje abierta la tapa para permitir que las llamas se extingan. Una vez que se haya extinguido el fuego y la parrilla esté fría, retire el quemador y examínelo para ver si tiene nidos de arañas o herrumbre. Lea las páginas relativas a Los peligros naturales y la limpieza de la unidad del quemador.</li> <li>• Cierre las perillas de control y la válvula del cilindro de gas. Deje abierta la tapa para permitir que las llamas se extingan. Una vez que se haya enfriado, limpie las partículas de comida y la acumulación de goteo en la parte interior de la zona de la cámara de combustión, de la lata para la grasa y de toda otra superficie.</li> </ul>

#### Resolución de problemas

Problema	Causas probables	Medidas de prevención / solución
<p>El quemador o los quemadores no se enciende(n) al usar el encendedor.</p> <p><i>Continúa en la página siguiente.</i></p>	<p><b>PROBLEMAS DE GAS:</b></p> <ul style="list-style-type: none"> <li>• Está tratando de encender el quemador equivocado.</li> <li>• El quemador no está conectado a la válvula de control.</li> <li>• Obstrucción en el quemador.</li> <li>• No hay flujo de gas.</li> <li>• Hay vapor atrapado en la tuerca de unión al tanque de gas.</li> <li>• La tuerca de unión y la válvula del tanque de gas no están bien conectadas.</li> </ul> <p><b>PROBLEMAS DE ELECTRICIDAD:</b></p> <ul style="list-style-type: none"> <li>• Electrodo quebrado o roto; salen "chispas de la quebradura".</li> <li>• La punta del electrodo no está en posición correcta.</li> </ul>	<ul style="list-style-type: none"> <li>• Lea las instrucciones en el panel de control y en la sección titulada <i>Uso y cuidado</i>.</li> <li>• Verifique que las válvulas estén ubicadas dentro de los tubos de los quemadores.</li> <li>• Verifique que el tubo de los quemadores no esté obstruido con telarañas u otras materias. Lea la sección de limpieza de <i>Uso y cuidado</i>.</li> <li>• Verifique que el tanque no esté vacío. Si el tanque de gas no está vacío, lea la sección referente a la <i>Caída repentina del flujo de gas</i>.</li> <li>• Cierre las perillas y desconecte la tuerca de unión del tanque. Vuelva a conectarla y trate de nuevo.</li> <li>• Gire la tuerca de unión entre media vuelta y tres cuartos de vuelta adicionales, hasta que no la pueda girar más. Apriétela a mano únicamente, no use herramientas.</li> <li>• Cambie el (los) electrodo(s).</li> </ul> <p>Quemadores principales:</p> <ul style="list-style-type: none"> <li>• La punta del electrodo debe estar orientada hacia el agujero de combustión del quemador. La distancia debe ser de 1/8" a 1/4". Ajustela si es necesario.</li> </ul> <p>Quemador lateral (si lo tiene)</p> <ul style="list-style-type: none"> <li>• La punta del electrodo debe estar orientada hacia el agujero de combustión del quemador. La distancia debe ser de 1/8" a 3/16". Ajustela si es necesario.</li> </ul>

## Resolución de problemas (continuación)

Problema	Causas probables	Medidas de prevención / solución 6
El quemador o los quemadores no se enciende(n) al usar el encendedor.	<ul style="list-style-type: none"> <li>• El cable o el electrodo está cubierto con restos de comida.</li> <li>• Los cables están flojos o desconectados.</li> <li>• Los cables producen cortocircuitos (chispas) entre el encendedor y el electrodo.</li> </ul> <p><b>BOTÓN PULSADOR PIEZOELÉCTRICO Y GIRATORIO:</b></p> <ul style="list-style-type: none"> <li>• El botón pulsador se pega en el fondo.</li> <li>• La perilla giratoria gira sin hacer clic.</li> <li>• Hay chispas entre el encendedor y el electrodo.</li> </ul>	<ul style="list-style-type: none"> <li>• Limpie el cable y el electrodo con alcohol de frotar y un hisopo limpio.</li> <li>• Vuelva a conectar los cables o cambie la unidad de electrodo/cable.</li> <li>• Cambie la unidad del cable del encendedor / el electrodo.</li> <li>• Cambie el encendedor.</li> <li>• Cambie la perilla.</li> <li>• Examine el aislamiento de los cables y verifique que las conexiones estén bien hechas. Cambie los cables si tienen roto el aislamiento.</li> </ul>
El quemador o los quemadores no se encienden al usar fósforos.	<ul style="list-style-type: none"> <li>• Lea "<b>PROBLEMAS DE GAS:</b>" en la página anterior.</li> <li>• El fósforo no llega al punto de encendido.</li> <li>• Método inadecuado de encender con fósforos.</li> </ul>	<ul style="list-style-type: none"> <li>• Use un fósforo de palito largo (fósforo para encender chimeneas).</li> <li>• Lea la sección de limpieza de <i>Uso y cuidado</i>.</li> </ul>
Llama baja, gota en flujo del gas.	<ul style="list-style-type: none"> <li>• Se acabó el gas.</li> <li>• Se activó la válvula por sobrecarga de gas.</li> <li>• Hay vapor atrapado en la conexión de la tuerca de unión y el tanque de gas.</li> </ul>	<ul style="list-style-type: none"> <li>• Verifique que el tanque de gas esté cargado.</li> <li>• Dé vuelta apagado al control y las perillas del tanque, esperen 30 segundos, perilla del tanque de la vuelta encendido lentamente, parrilla ligera. Si las llamas siguen siendo bajas, dé vuelta apagado a las perillas del control y del tanque y desconecte el regulador. Vuelva a conectar el regulador, perilla del tanque de la vuelta encendido lentamente, parrilla ligera.</li> <li>• Dé vuelta apagado al control y a las perillas del tanque y desconecte el regulador. Vuelva a conectar el regulador, gire la perilla del tanque lentamente, parrilla ligera.</li> </ul>
Llamas que se apagan.	<ul style="list-style-type: none"> <li>• Vientos fuertes.</li> <li>• Bajo flujo de gas propano.</li> <li>• Se activó la válvula por sobrecarga de gas.</li> </ul>	<ul style="list-style-type: none"> <li>• Gire el frente de la parrilla de modo que quede de cara al viento, o aumente la graduación de las llamas.</li> <li>• Recargue el tanque de gas.</li> <li>• Lea lo referente a la <i>Caída repentina del flujo de gas</i> en la sección anterior.</li> </ul>
Fogonazos.	<ul style="list-style-type: none"> <li>• Acumulación de goteo.</li> <li>• Carne sumamente grasosa.</li> <li>• Temperatura de cocción muy elevada.</li> </ul>	<ul style="list-style-type: none"> <li>• Limpie los quemadores y el interior de la parrilla / cámara de combustión.</li> <li>• Desgrase la carne antes de cocinarla a la parrilla.</li> <li>• Ajuste (baje) la temperatura según corresponda.</li> </ul>
producidos por la goteo.	<ul style="list-style-type: none"> <li>• Goteo atrapada por acumulación de restos de comida alrededor del sistema del quemador.</li> </ul>	<ul style="list-style-type: none"> <li>• Cierre las perillas. Cierre el paso de gas desde el tanque. Deje la tapa en su sitio y deje que se apague el fuego. Después de que se enfríe la parrilla, retire y limpie todas las piezas.</li> </ul>
Retorno de las llamas (fuego en el (los) tubo(s) del quemador).	<ul style="list-style-type: none"> <li>• El quemador o los tubos del quemador están obstruidos.</li> </ul>	<ul style="list-style-type: none"> <li>• Cierre las perillas. Limpie el quemador o los tubos del quemador. Lea la sección de limpieza del quemador de <i>Uso y cuidado</i>.</li> </ul>
No se puede recargar el tanque de gas propano.	<ul style="list-style-type: none"> <li>• Algunos vendedores de gas tienen boquillas de llenado viejas, con las roscas gastadas.</li> </ul>	<ul style="list-style-type: none"> <li>• Las boquillas desgastadas no tienen suficiente "agarre" para conectarse a la válvula. Comuníquese con otro vendedor de gas.</li> </ul>
Un quemador no se enciende desde el quemador otra (s).	<ul style="list-style-type: none"> <li>• La acumulación de goteo o partículas de alimentos en el extremo (s) de tubo de prórroga (s). Fuegos persistentes,</li> </ul>	<ul style="list-style-type: none"> <li>• Gire las perillas en OFF. Apague el gas en el cilindro LP. Deje la tapa en su posición y dejar que el fuego se quemé. Después de la parrilla se enfríe, quite y limpie todas las partes.</li> </ul>

## Resolución de problemas – Encendido electrónico

Problema (encendido)	Causas probables	Procedimiento de revisión	Medidas de prevención / solución
<b>SECCIÓN I</b> No aparecen chispas en ningún electrodo cuando se pulsa el botón de encendido; no se oye ningún sonido del módulo de chispas.	<ul style="list-style-type: none"> <li>• La pila no está instalada adecuadamente.</li> <li>• Pila gastada.</li> <li>• La unidad del botón no está instalada adecuadamente.</li> <li>• Módulo de chispas defectuoso.</li> </ul>	<ul style="list-style-type: none"> <li>• Revise la orientación de la pila.</li> <li>• ¿Es una pila usada?</li> <li>• Revise que las piezas estén debidamente enroscadas. El botón debe desplazarse hacia arriba y hacia abajo sin trabas.</li> <li>• Si no se generan chispas con la pila nueva y las conexiones del cable están bien hechas, el módulo está defectuoso.</li> </ul>	<ul style="list-style-type: none"> <li>• Instale la pila (verifique que los polos “+” y “-” estén orientados correctamente, con el extremo “+” hacia arriba y el extremo “-” hacia abajo).</li> <li>• Cámbiela por una pila alcalina nueva, de tamaño AAA.</li> <li>• Desenrosque la tapa del botón y vuelva a instalarla; verifique que las roscas estén bien alineadas y bien enroscadas.</li> <li>• Cambie la unidad del módulo de chispas.</li> </ul>
<b>SECCIÓN II</b> No aparece ninguna chispa en los electrodos cuando se pulsa el interruptor de encendido; no se oye ningún sonido	<ul style="list-style-type: none"> <li>• Las conexiones del cable de salida no están bien hechas.</li> </ul>	<ul style="list-style-type: none"> <li>• ¿Están conectadas y bien hechas las conexiones de salida?</li> </ul>	<ul style="list-style-type: none"> <li>• Retire y vuelva a hacer todas las conexiones de salida en el módulo y en los electrodos</li> </ul>
<b>SECCIÓN III</b> Hay chispas pero no en todos los electrodos y/o no a plena potencia	<ul style="list-style-type: none"> <li>• Las conexiones del cable de salida no están bien hechas.</li> <li>• El arco de la parrilla se forma lejos del (de los) quemador(es).</li> <li>• Pila débil.</li> <li>• Los electrodos están húmedos.</li> <li>• Los electrodos están agrietados o rotos, con "chispas en las grietas".</li> </ul>	<ul style="list-style-type: none"> <li>• ¿Están conectadas y bien hechas las conexiones de salida?</li> <li>• Si es posible, observe la parrilla en un lugar oscuro. Haga funcionar el sistema de encendido y trate de detectar la formación del arco entre los cables de salida y el marco de la parrilla.</li> <li>• Se forman todas las chispas, pero son débiles o lentas.</li> <li>• ¿Se ha acumulado humedad en el electrodo y/o en los orificios de combustión?</li> <li>• Examine los electrodos para detectar grietas.</li> </ul>	<ul style="list-style-type: none"> <li>• Retire y vuelva a hacer todas las conexiones de salida en el módulo y en los electrodos.</li> <li>• Si se observan chispas que no sean del (de los) quemador(es), es posible que esté dañado el aislamiento de los cables. Cambie los cables.</li> <li>• Cambie la pila por una pila alcalina nueva, de tamaño AAA.</li> <li>• Use una toalla de papel para secar la humedad.</li> <li>• Cambie los electrodos agrietados o rotos.</li> </ul>
<b>SECCIÓN IV</b> La parrilla no se está poniendo caliente solo alcanza 250 - 300 grados	<ul style="list-style-type: none"> <li>• Esto generalmente ocurre cuando enciende las perillas de control antes de encender la válvula del tanque de LP. De ser así, esto activará el dispositivo de seguridad del regulador de gas, la parrilla solo alcanzará temperaturas entre 250 y 300F incluso con todos los quemadores en la posición alta.</li> </ul>	<ul style="list-style-type: none"> <li>• ¿El regulador está encendido y correcto?</li> <li>• Asegúrese de que el regulador esté conectado correctamente al tanque y que las perillas de control estén todas en la posición de apagado.</li> </ul>	<ul style="list-style-type: none"> <li>• Abra la tapa de la parrilla.</li> <li>• Apague todas las perillas en el panel de control en frente.</li> <li>• Apague la perilla del tanque.</li> <li>• Desconecte el regulador del tanque de LP. Espera 30 segundos</li> <li>• Vuelva a conectar el regulador al tanque de LP.</li> <li>• Abra lentamente la perilla del tanque de LP completamente abierta. No ejerza una fuerza excesiva sobre la válvula en la posición completamente abierta para evitar dañar la válvula.</li> <li>• Gire una perilla de control adecuada y encienda la parrilla según las instrucciones de encendido.</li> </ul>