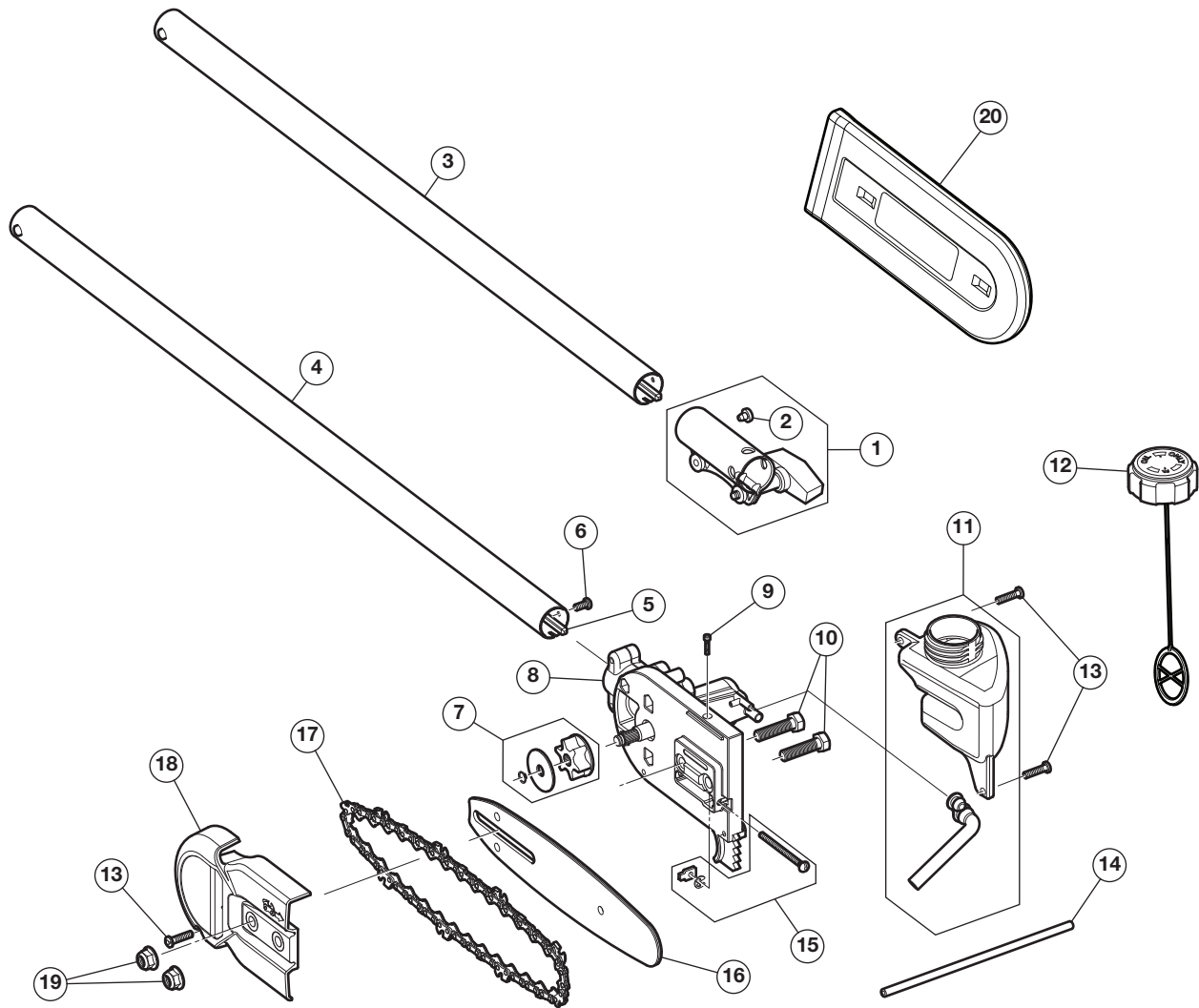


REPLACEMENT PARTS - MODEL TPP720 POLE SAW ATTACHMENT

PPN 41BJPA-C902



Item	Part No.	Description
1	753-1190	Split Boom Coupler Assem. (includes 2)
2	791-182057	Split Boom Coupler Screw
3	753-09226	Extension Boom
4	753-11237	Lower Drive Shaft Housing (includes 5)
5	753-11123	Flexible Drive Shaft
6	710-0599	Lower Drive Shaft Screw
7	753-05595	Sprocket Assembly
8	753-05599	Gearbox Assembly (includes 7 & 9)
9	710-04696	Gearbox Screw
10	710-0528	Gearbox Bolts

Item	Part No.	Description
11	753-05586	Oil Tank Assembly
12	753-05587	Oil Cap Assembly
13	791-181345	Screw
14	753-05588	Oil Line
15	753-05597	Chain Tension Hardware Assembly
16	753-05594	Chainsaw Guide Bar
17	753-05592	Chain
18	753-05593	Chain Guard
19	712-04063	Gearbox Nuts
20	731-25531	Scabbard

Items Not Shown

*	731-08926	Hanger
*	791-682075B	Shoulder Harness
*	753-05774	Allen Wrench