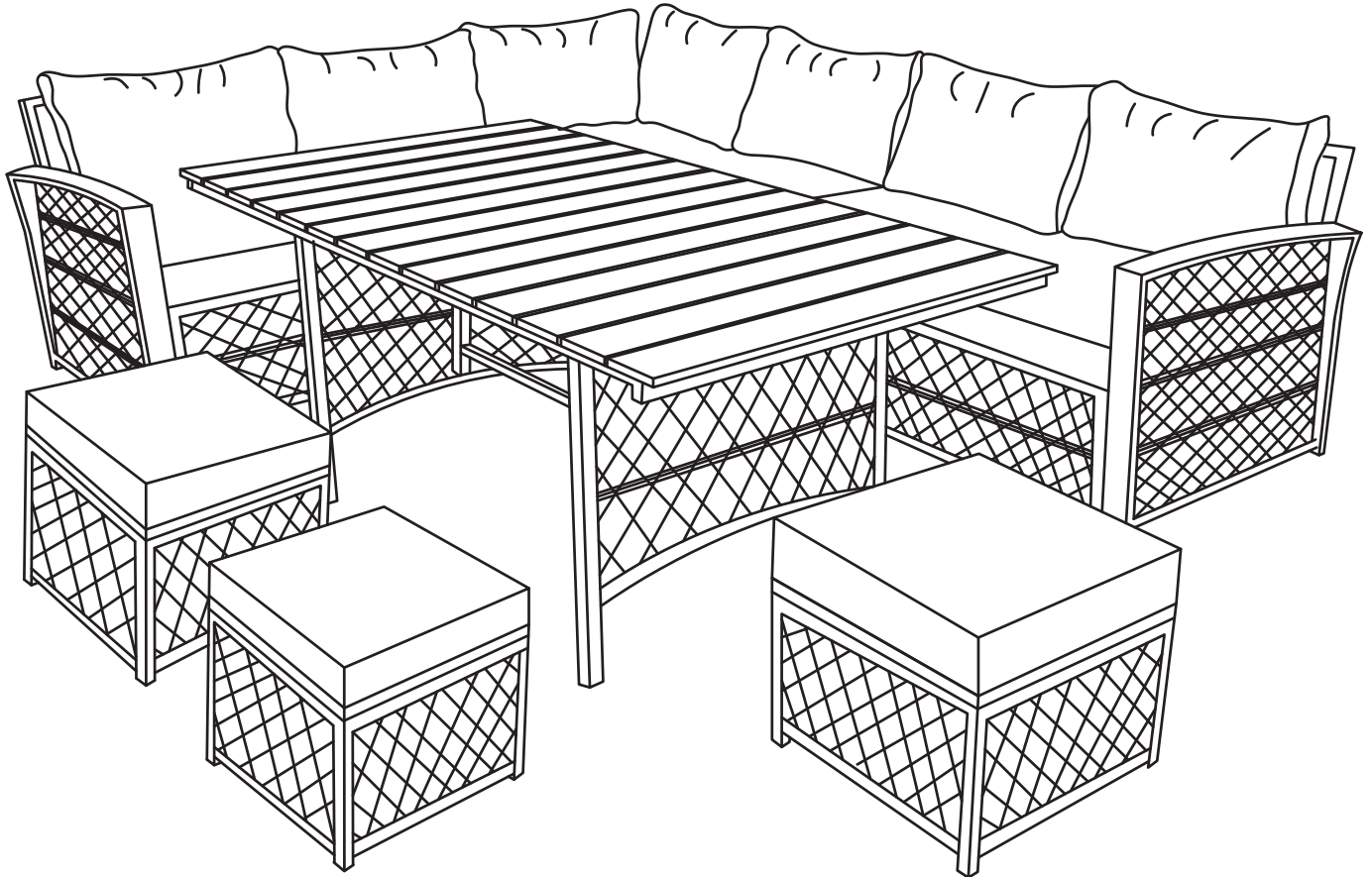


PE Rattan Furniture Set_SS16313

Assembly Instructions



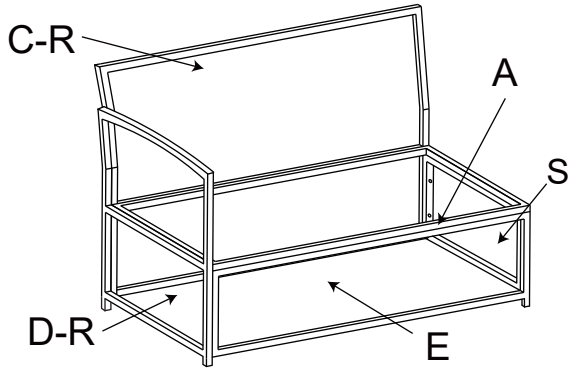
Attention

Thanks for choosing our product.

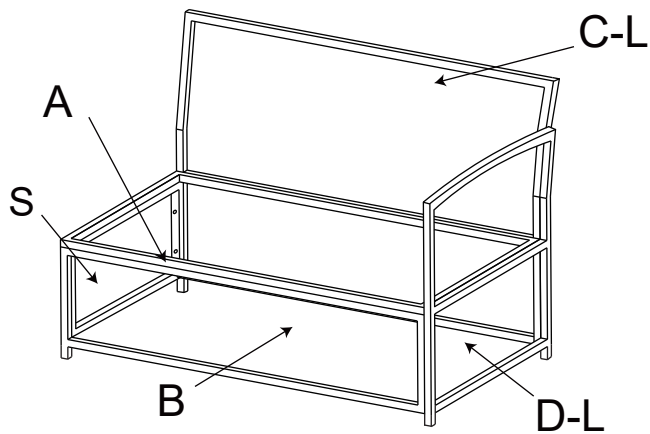
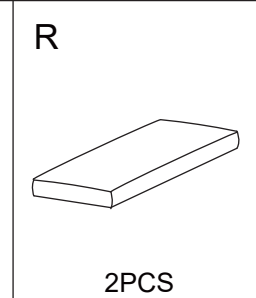
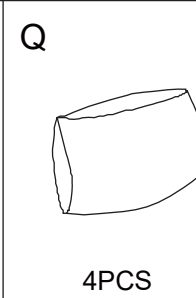
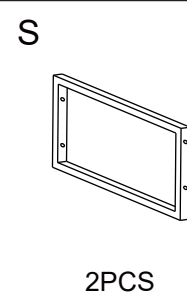
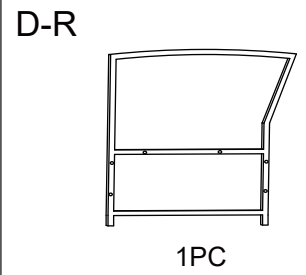
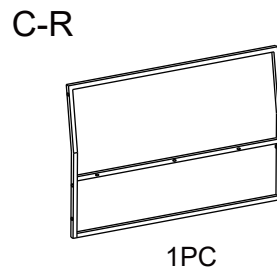
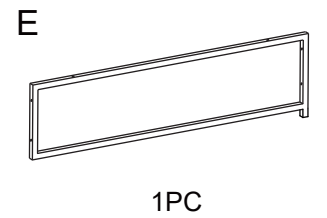
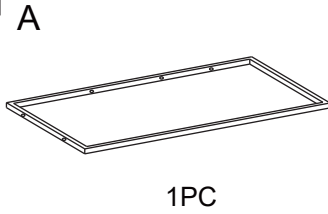
1. There will be three boxes in total for this whole product. Before assembling, please check you receive all the parts listed below. If there is any missing or damaged part, or if you have any question, please feel free to contact our service team for help.
2. Two persons are recommended to assemble the set.
3. Recommend to use waterproof furniture cover for entire furniture set when it is used outdoor to keep them longer lifetime.
4. Sofa cushion covers can be removed and cleaned up by cleaner when there are stains.
5. Both 8 and 9 are used to tighten bolts and screws.

Package A Parts List

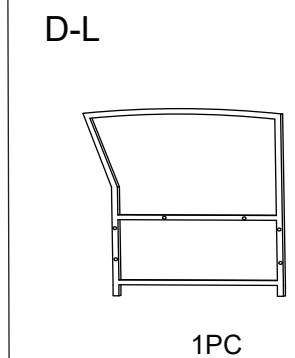
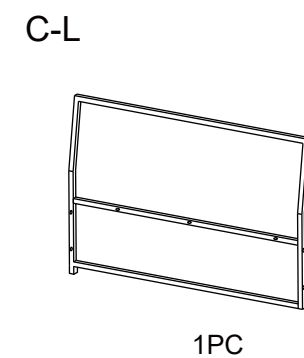
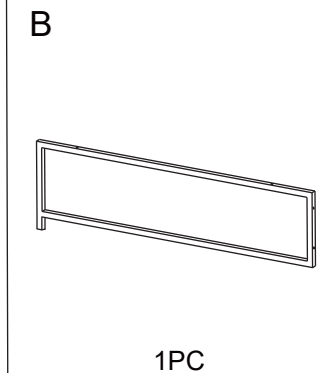
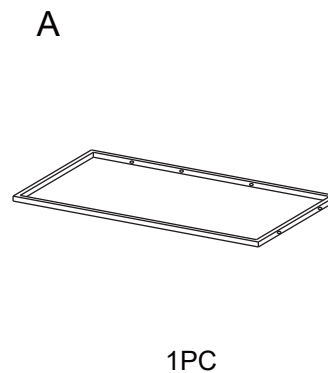
<p>3</p>  <p>M6x35mm 36PCS</p>	<p>6</p>  <p>M6 36PCS</p>	<p>8</p>  <p>M6 1PC</p>
---	--	--







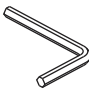
Right Corner Sofa




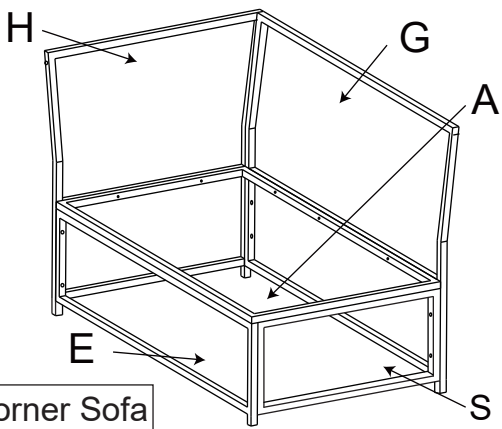
Left Corner Sofa



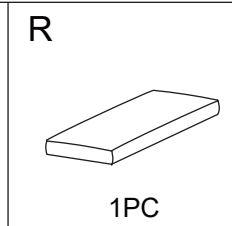
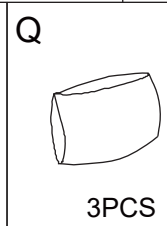
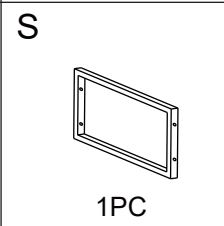
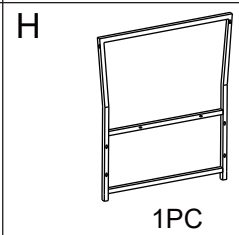
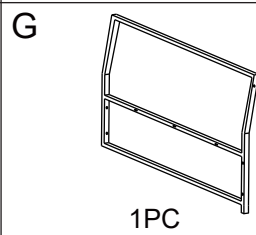
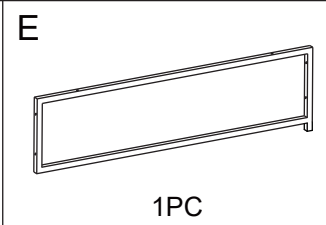
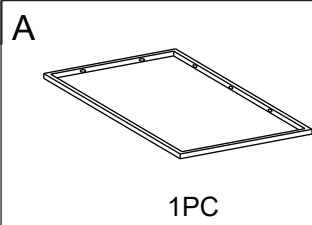
Package B Parts List

2  M6x30mm 36PCS	3  M6x35mm 18PCS	4  M6x45mm 1PC	6  M6 55PCS	8  M6 1PC
--	--	--	---	---

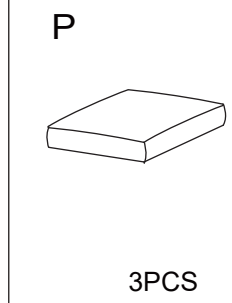
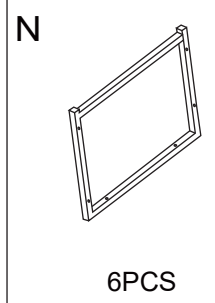
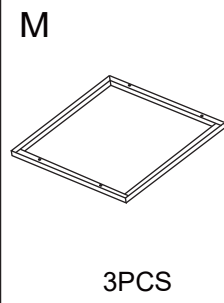
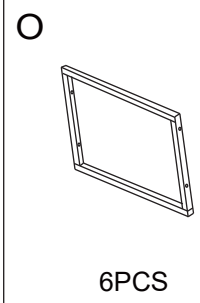
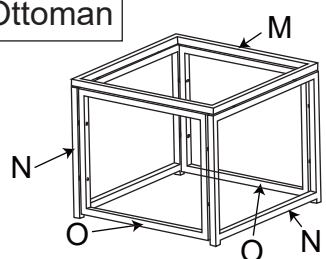
10  Clip 4PCS






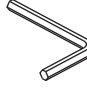



Middle Corner Sofa

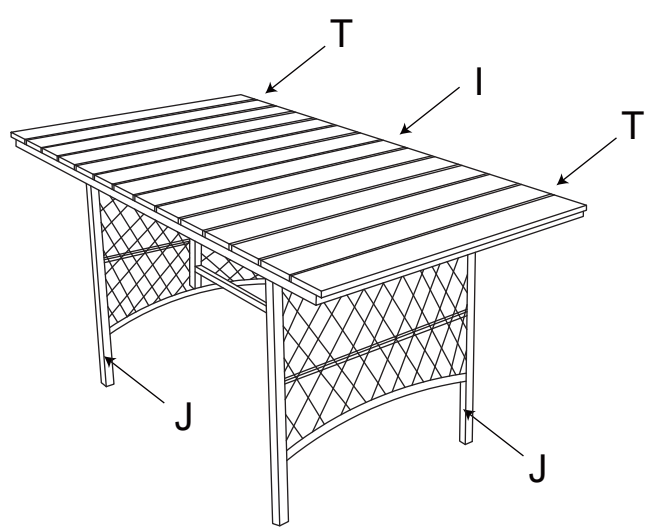


Ottoman

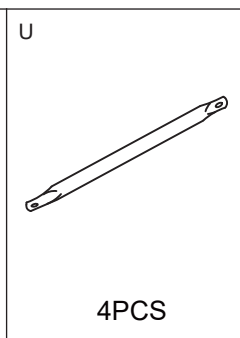
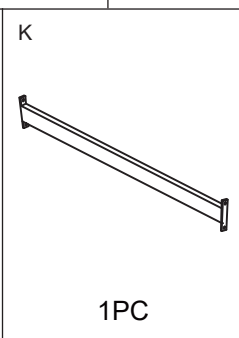
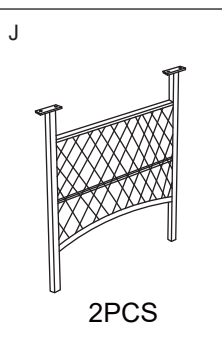
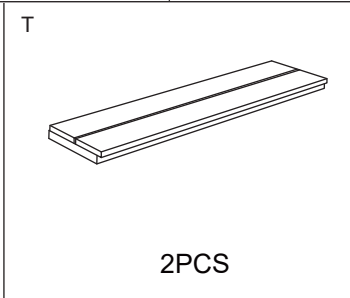
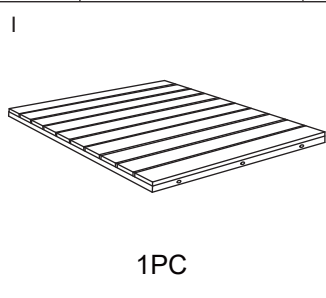


Package C Parts List

1  M6x20mm 16PCS	2  M6x30mm 4PCS	6  M6 36PCS	8  M6 1PC	9  M6 1PC	11  M6 10PCS	12  M6x40mm 6PCS
--	---	---	---	--	--	--



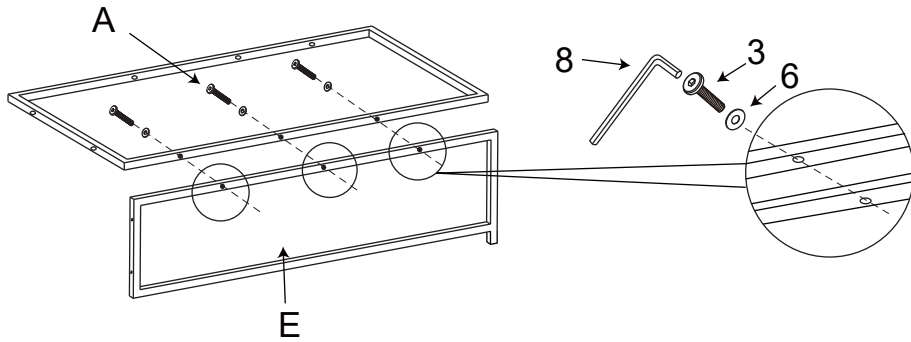
Table



Right Corner Sofa

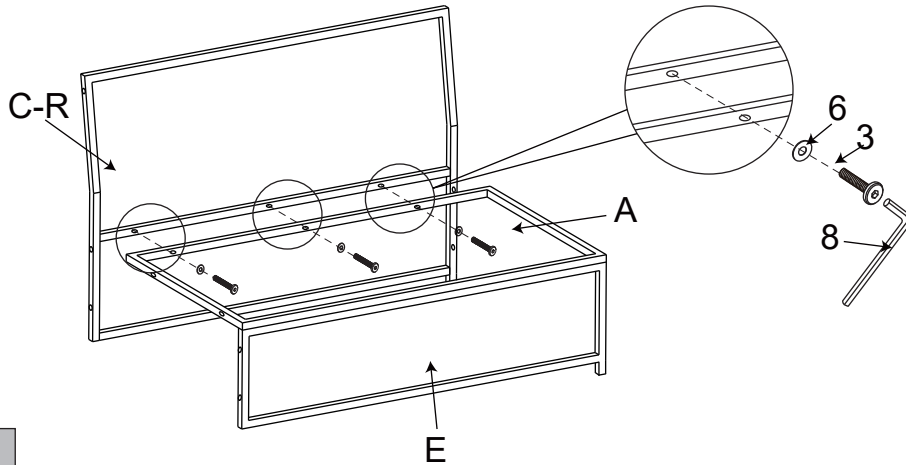
STEP1

- 3
M6x35mm
3PCS
- 6
M6
3PCS



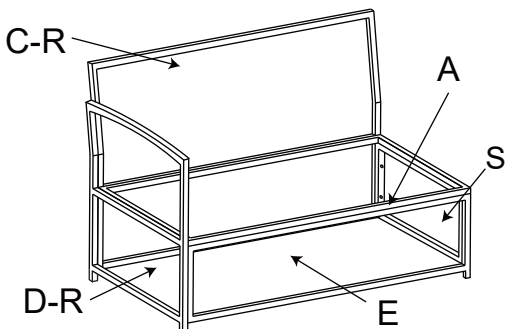
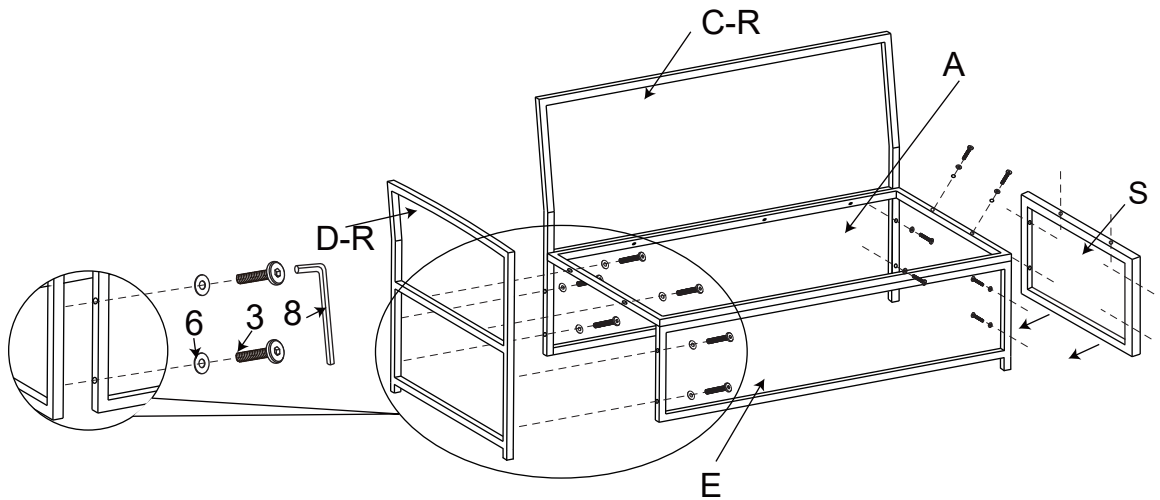
STEP2

- 3
M6x35mm
3PCS
- 6
M6
3PCS



STEP3

- 3
M6x35mm
12PCS
- 6
M6
12PCS

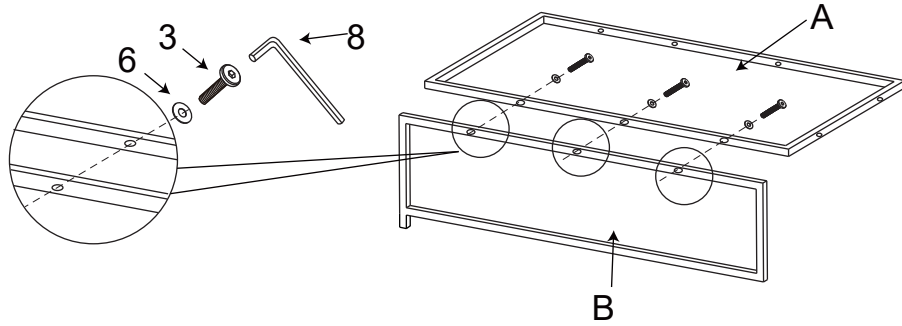


Right Corner Sofa

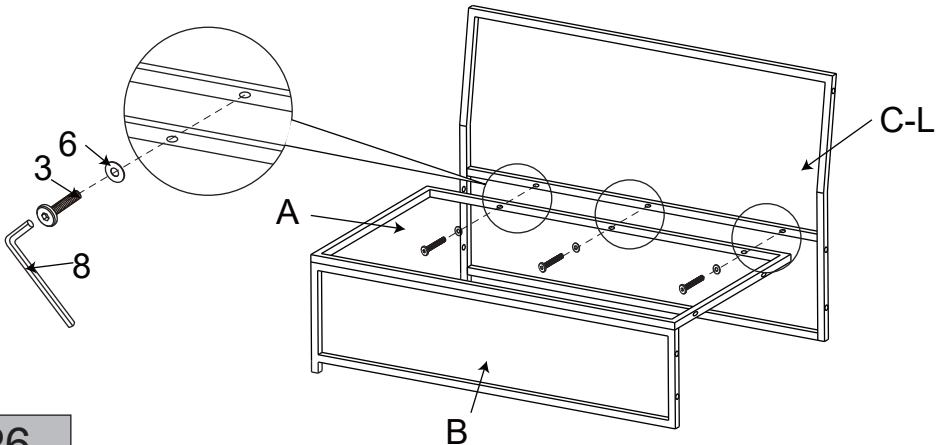
Warning: Pls put the screws in the screw holes first, don't tighten them, and then tighten them together after they are all aligned.

Left Corner Sofa

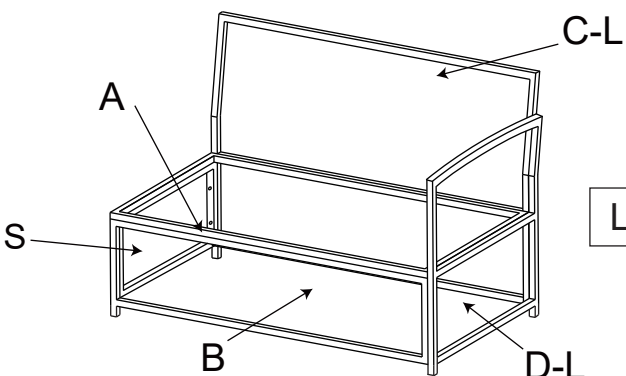
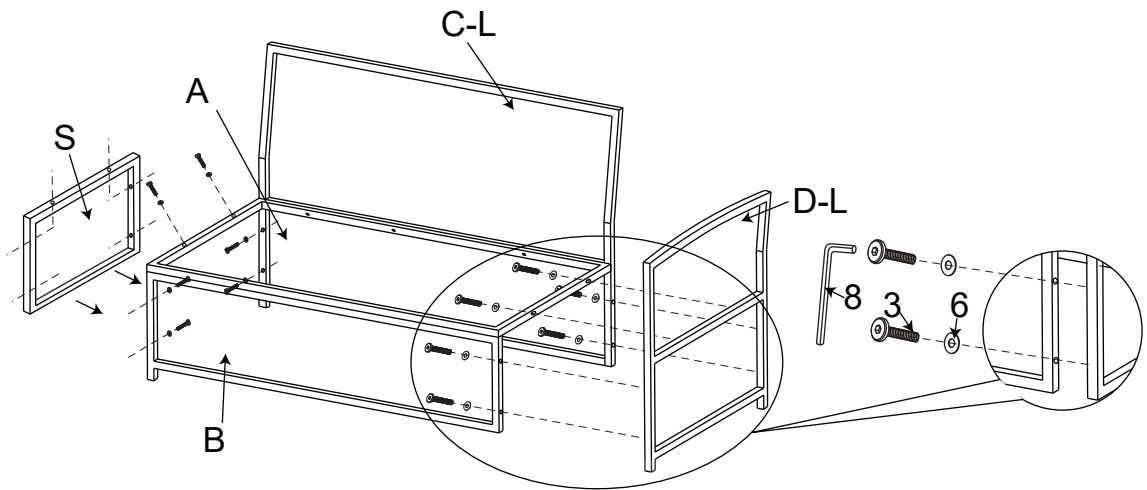
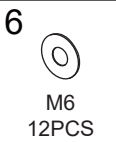
STEP4



STEP5



STEP6



Left Corner Sofa

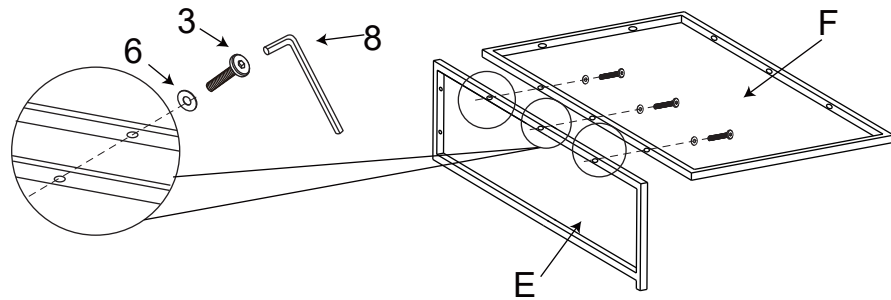
Warning: Pls put the screws in the screw holes first, don't tighten them, and then tighten them together after they are all aligned.

Middle Corner Sofa

STEP7

3
M6x35mm
3PCS

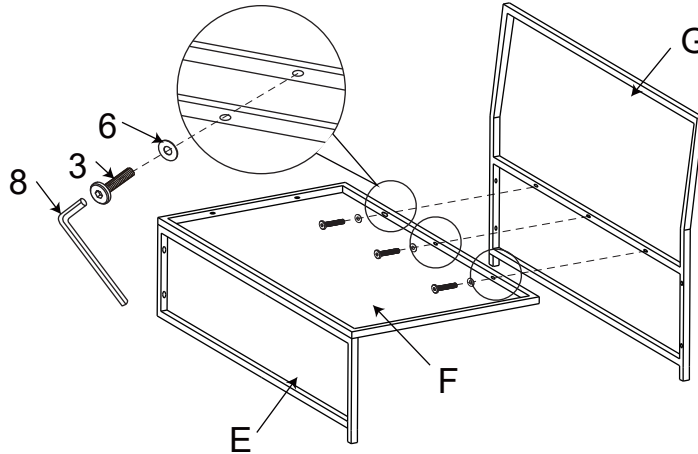
6
M6
3PCS



STEP8

3
M6x35mm
3PCS

6
M6
3PCS

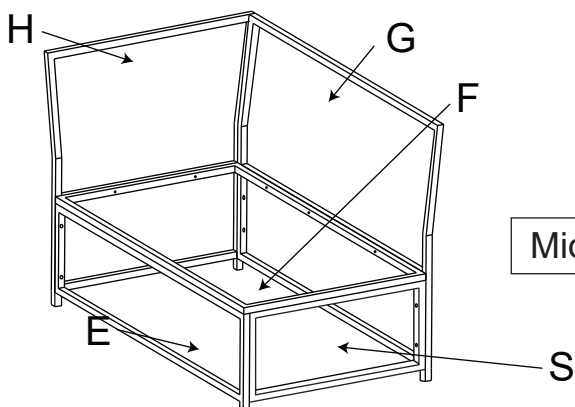
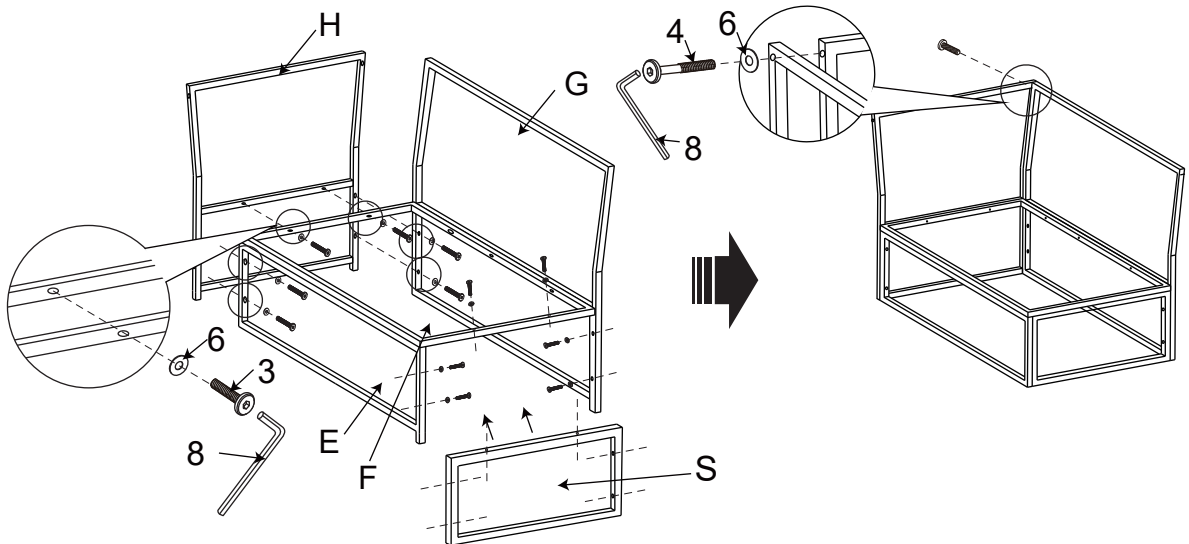


STEP9

3
M6x35mm
12PCS

4
M6x45mm
1PC

6
M6
13PCS

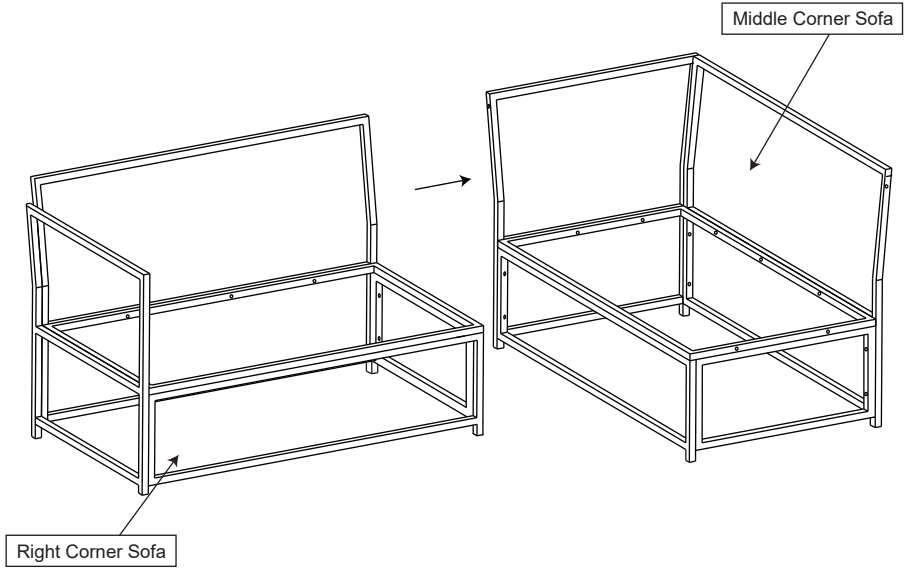


Middle Corner Sofa

Warning: Pls put the screws in the screw holes first, don't tighten them, and then tighten them together after they are all aligned.

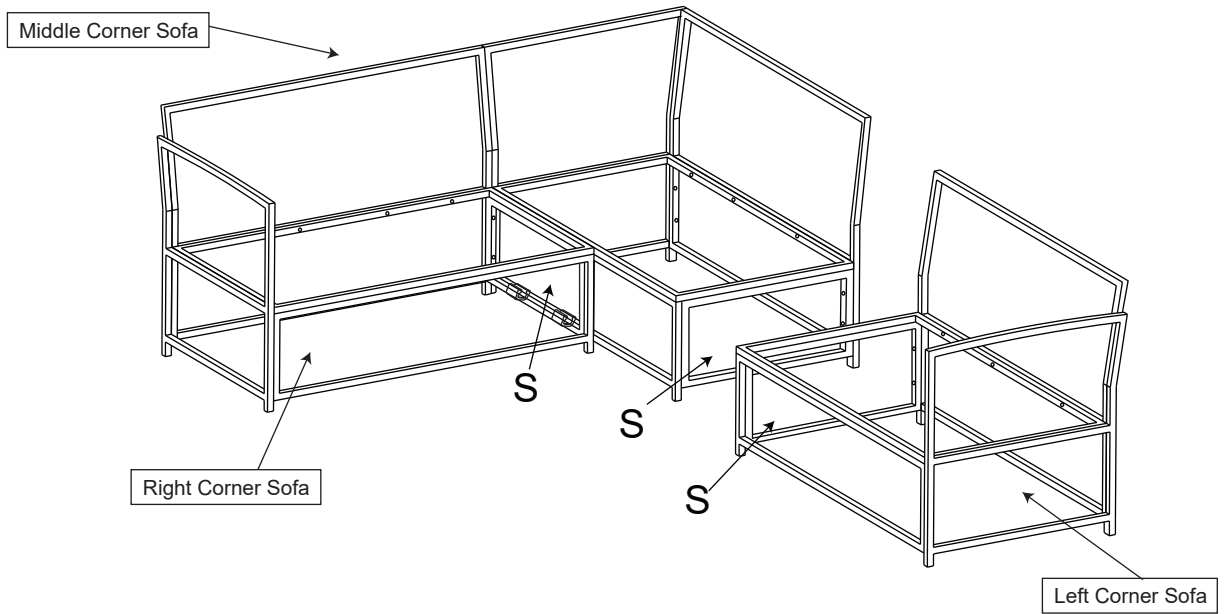
STEP10

10

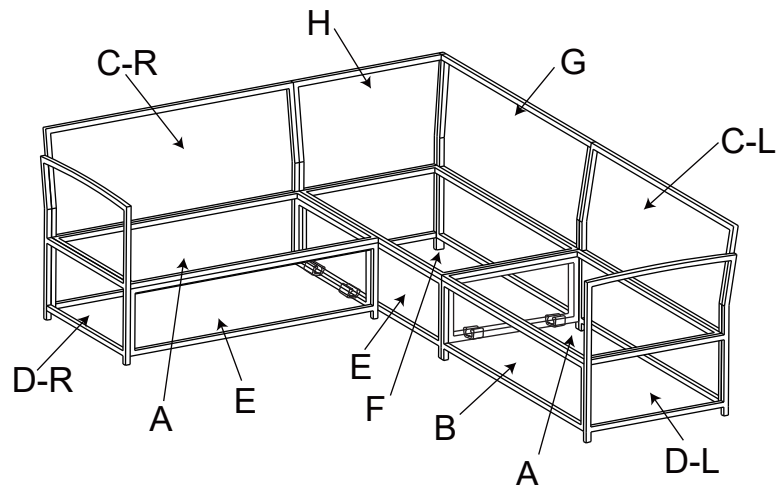


STEP11

10






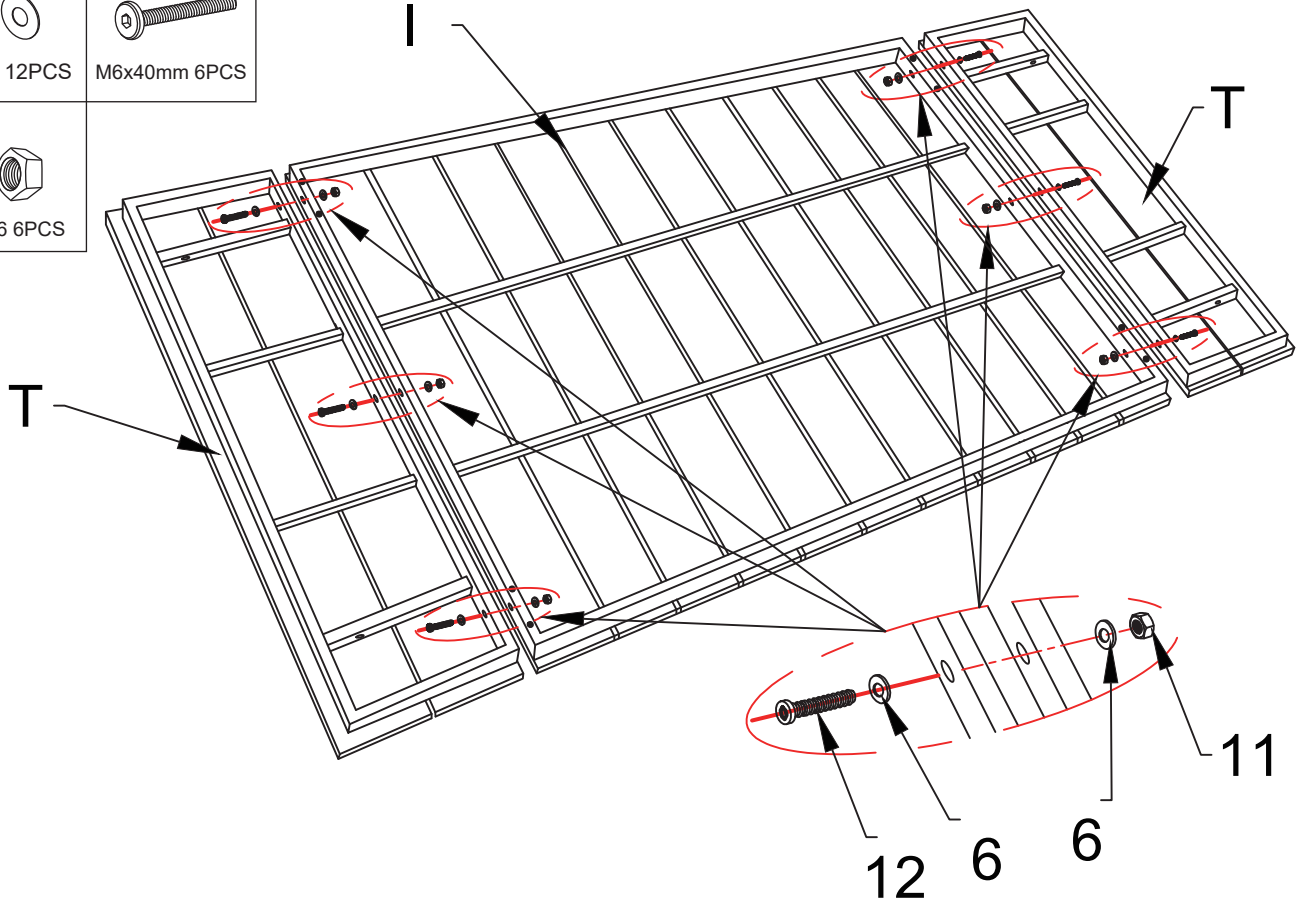
ASSEMBLE ACCOMPLISHED





Table

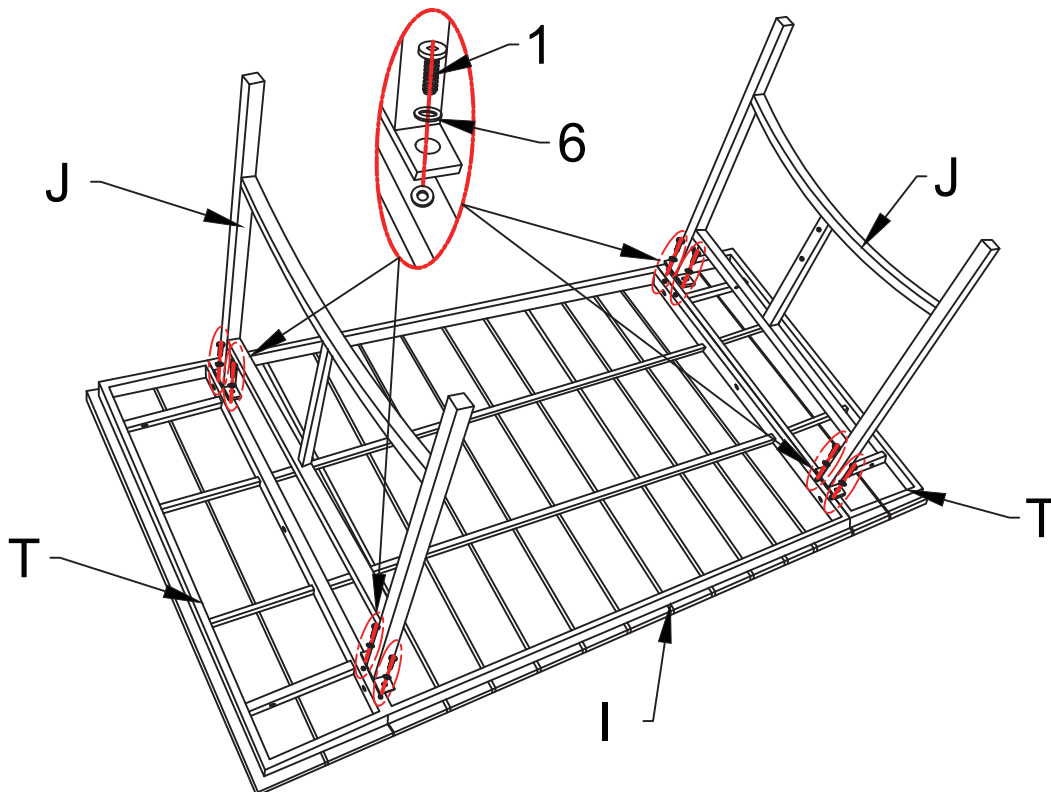
STEP 1

6  M6 12PCS	12  M6x40mm 6PCS
11  M6 6PCS	





STEP 2

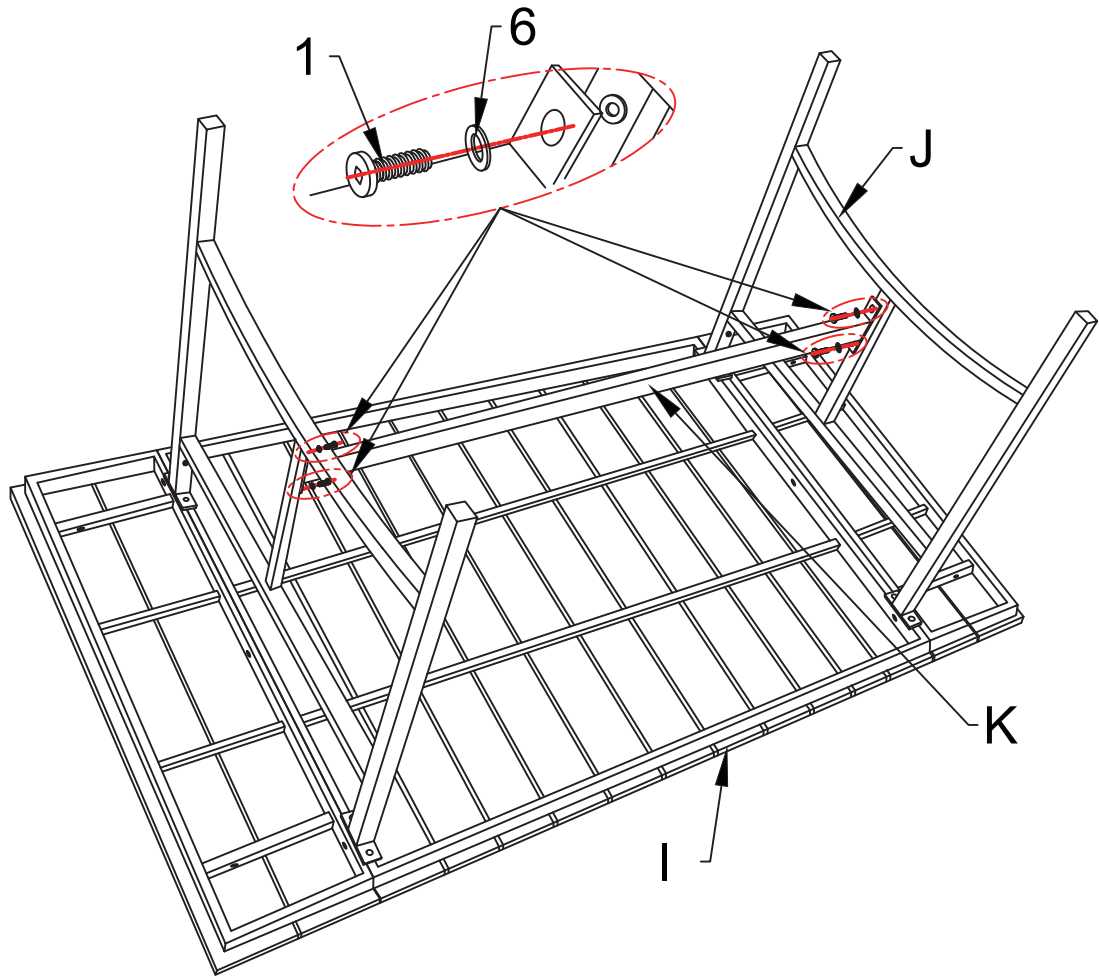
1  M6x20mm 8PCS	
6  M6 8PCS	



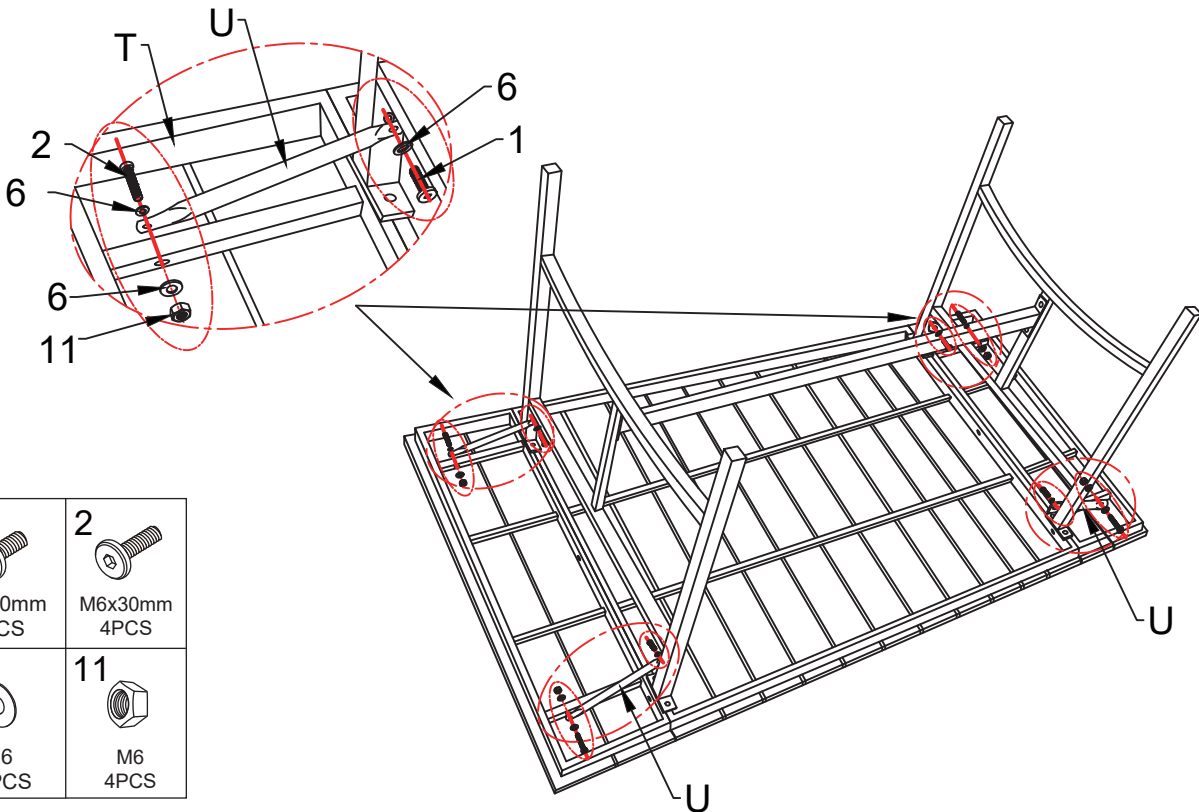
Table





STEP 3

1	
	M6x20mm 4PCS
6	
	M6 4PCS





STEP 4

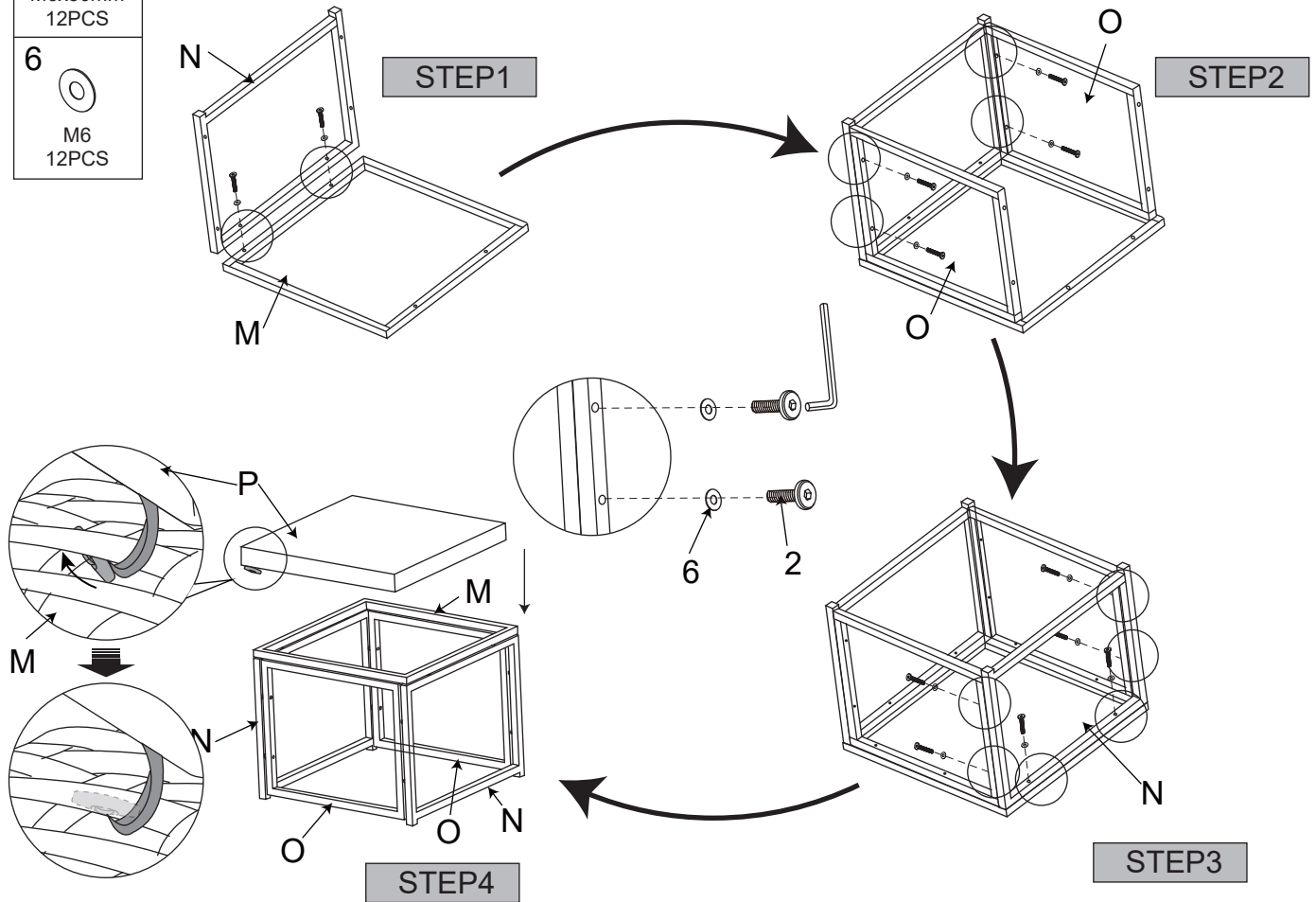


1		2	
	M6x20mm 4PCS		M6x30mm 4PCS
6		11	
	M6 12PCS		M6 4PCS

Ottoman

- 2 
M6x30mm
12PCS
- 6 
M6
12PCS

All three ottomans are installed in the same way.



Please insert the horn buckle into the rattan to fix the padded cushion

ASSEMBLE ACCOMPLISHED

