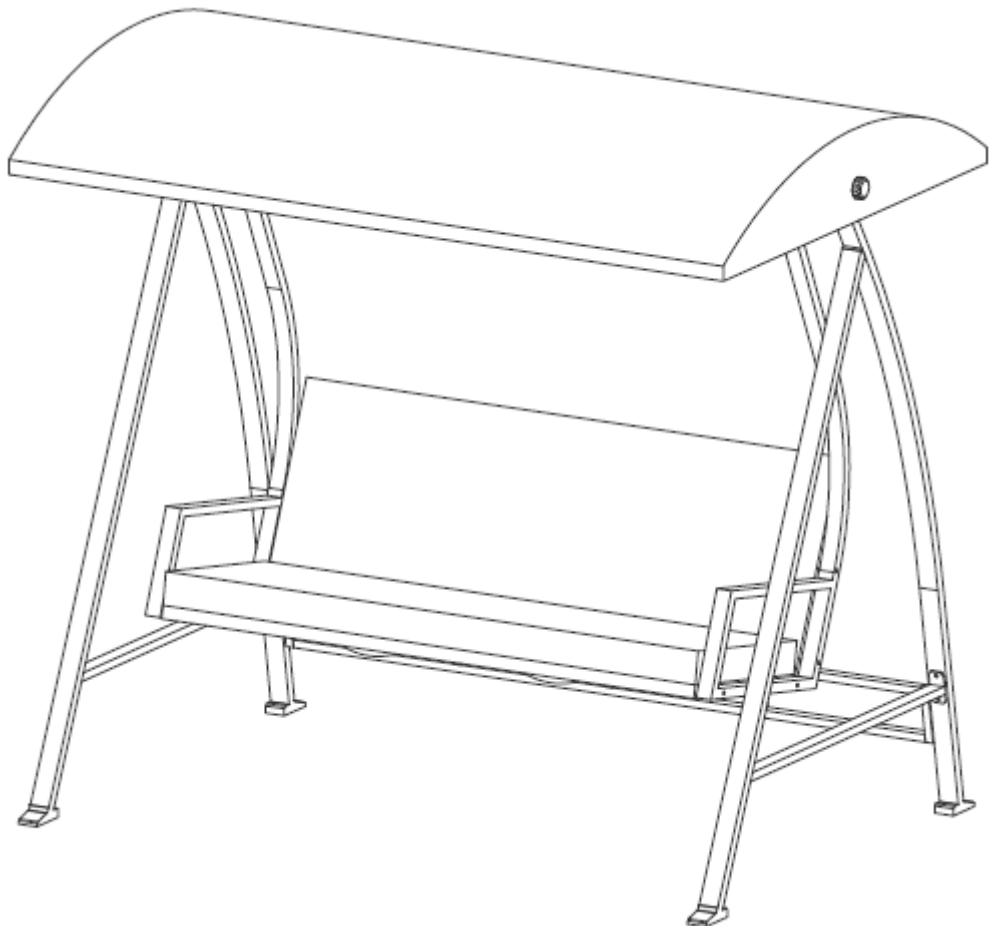


# Patio Post

## ASSEMBLY INSTRUCTION

Swing Canopy Hammock

ITEM CODE: SS63002



For any assistance with assembly or for missing parts please Contact with us

Email: [patiopostservice@lhgst.com](mailto:patiopostservice@lhgst.com)

Web: [www.lhgst.com](http://www.lhgst.com)

Adress:No.99 South Heyang Road,Dayang Street, Linhai,zhejiang,China


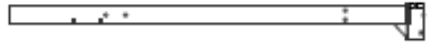
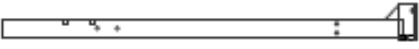











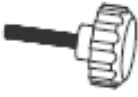
# PRE-ASSEMBLY PREPARATION















## Before you start:

1. Choose a clean, level, spacious assembly area. Avoid hard surfaces that may damage the product
2. Take care when lifting. Product should be assembled as near as possible to the point of use
3. Ensure that you have all required contents for complete assembly
4. Always read the assembly instructions carefully before beginning assembly.
5. Keep all hardware parts and packaging out of reach of small children.
6. Do not over tighten the screws and bolts as this may damage the threads
7. Assembly is to be carried out by a competent adult(s) ONLY
8. During assembly, children should be kept away from the product due to possible risk to injury.
9. Do not use this item if any components are missing or damaged.
10. Please keep the instructions for future reference.



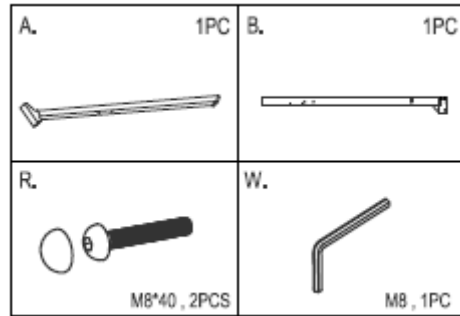
# PARTS LIST

<p>A. 2PCS</p> 	<p>B. 1PC</p> 
<p>B1. 1PC</p> 	<p>C. 1PC</p> 
<p>D. 1PC</p> 	<p>E. 2PCS</p> 
<p>F. 2PCS</p> 	<p>G. 2PCS</p> 
<p>H. 2PCS</p> 	<p>I. 1PC</p> 
	<p>J. 1PC</p> 
<p>J1. 1PC</p> 	<p>K. 1PC</p> 
<p>L. 1PC</p> 	<p>M. 2PCS</p> 

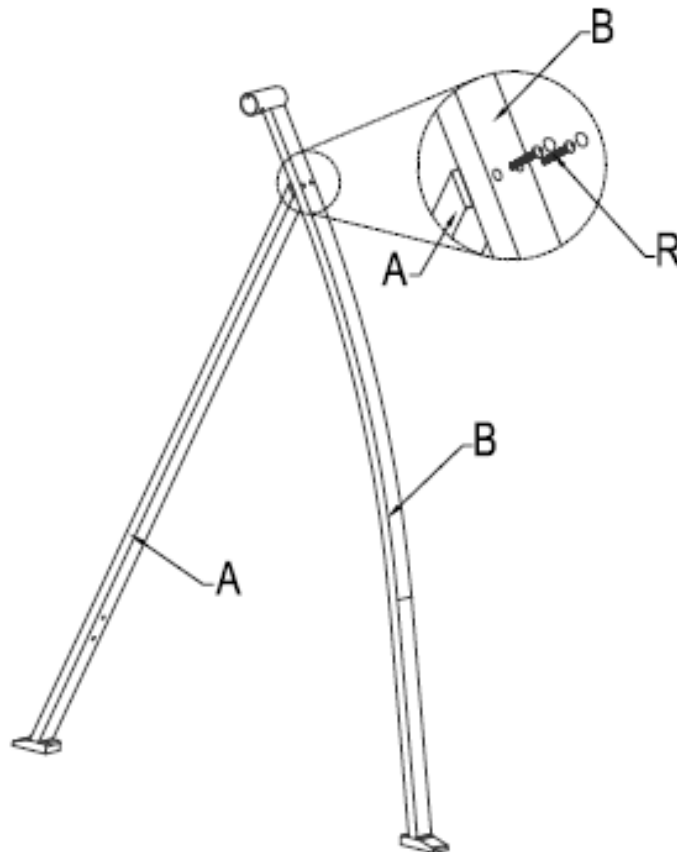
<p>N. <span style="float: right;">2PCS</span></p> 	<p>O. <span style="float: right;">M10 , 2PCS</span></p> 
<p>P. <span style="float: right;">M8*62 , 4PCS</span></p> 	<p>Q. <span style="float: right;">M8*55 , 8PCS</span></p> 
<p>R. <span style="float: right;">M8*40 , 4PCS</span></p> 	<p>S. <span style="float: right;">M6*30 , 10PCS</span></p> 
<p>T. <span style="float: right;">M10*66 , 2PCS</span></p> 	<p>U. <span style="float: right;">M6*15 , 8PCS</span></p> 
<p>V. <span style="float: right;">M10 , 2PCS</span></p> 	<p>W. <span style="float: right;">M8/M6,1PC</span></p> 
<p>X. <span style="float: right;">M8 , 2PCS</span></p> 	<p>Y. <span style="float: right;">M8 , 2PCS</span></p> 
<p>Z. <span style="float: right;">M8 , 2PCS</span></p> 	<p>Z1. <span style="float: right;">M8 , 2PCS</span></p> 

## Step 1

### You will need

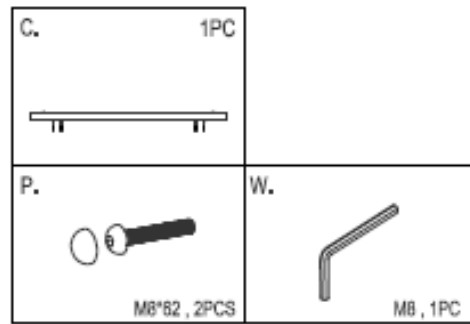


- Prepare a floor or surface with a blanket or cardboard.
- Connecting forelegs(A) to rear foot(B) as shown below.
- Secure fixing points with bolt (R) set for point. Thread 2xbolt(R) and fasten with Allen Key(W).
- Repeat for former steps for other set.

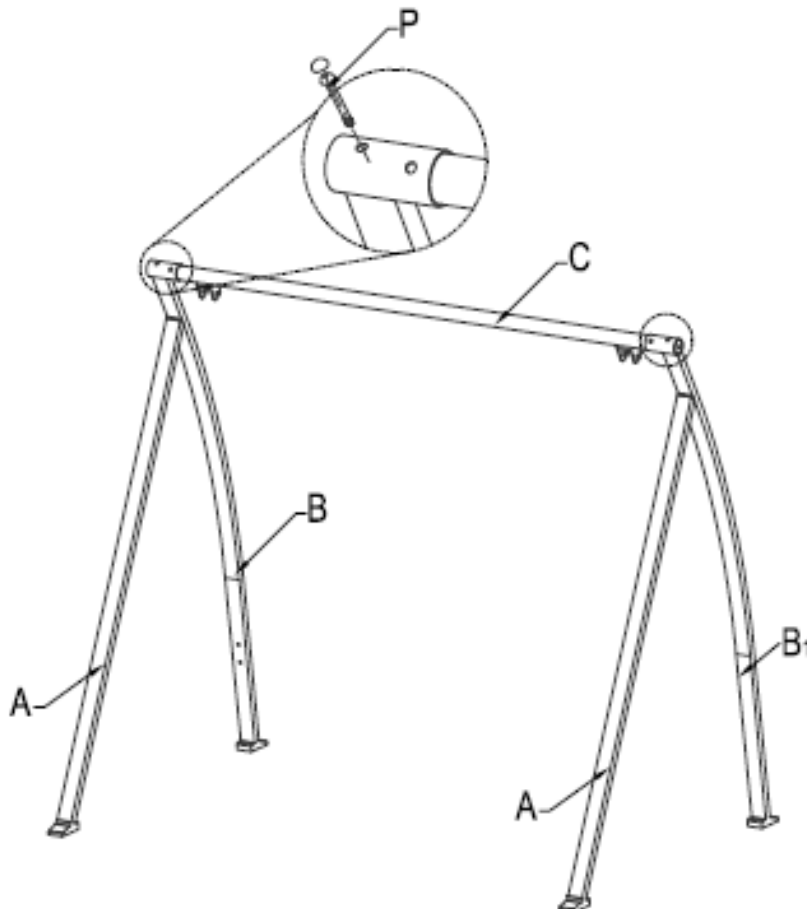


## Step 2

You will need










- Connect the legs to the top beam as shown below, Insert the top beam(G) into legs.
- Secure outside fixing points with bolt Use bolt(P)thread through and fasten by Allen Key(W)
- Repeat for the other set.

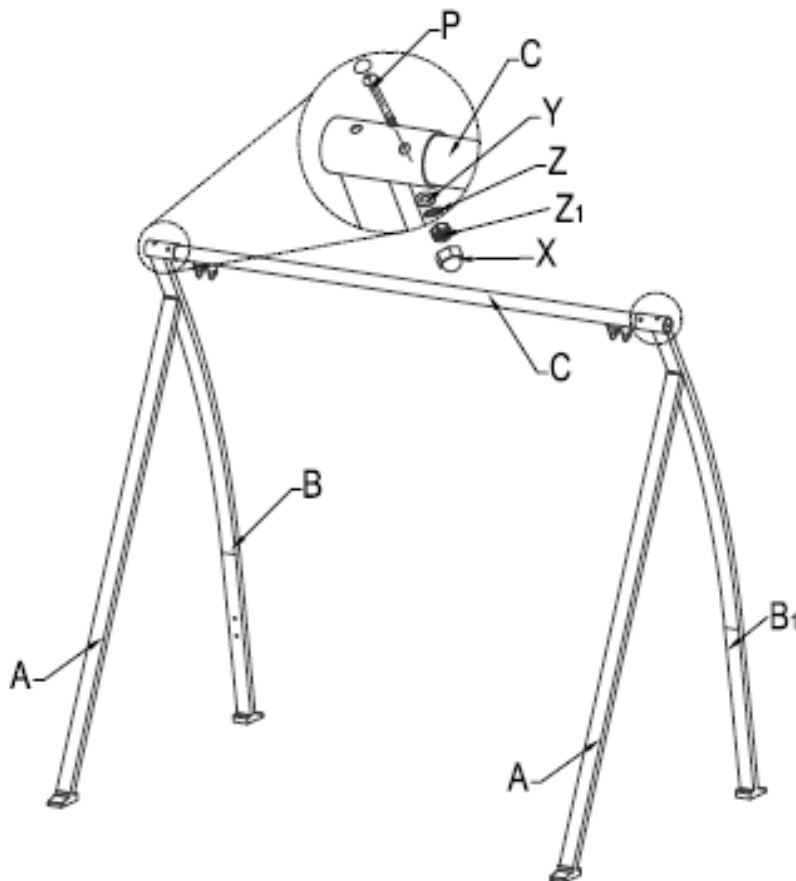


## Step 3

### You will need

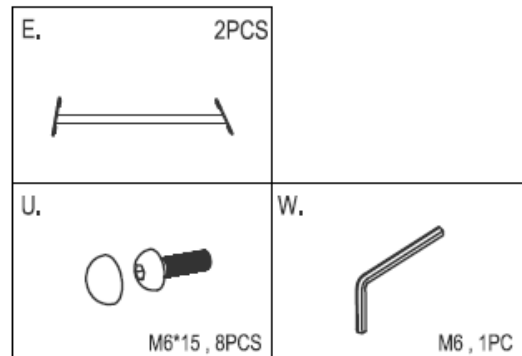
P.  M8*62, 2PCS	X.  M8, 2PCS	Y.  M8, 2PCS	Z.  M8, 2PCS	Z <sub>1</sub> .  M8, 2PCS
W.  M8, 1PC	K.  M8, 1PC			

- Secure inside fixing points with bolt Use (P) by thread through and Lock in the other end with washer(Y), spring washer(Z), nut(Z<sub>1</sub>) and screw cover(X), fasten by Allen Key(W) and Wrench(K).
- Repeat for the other set.

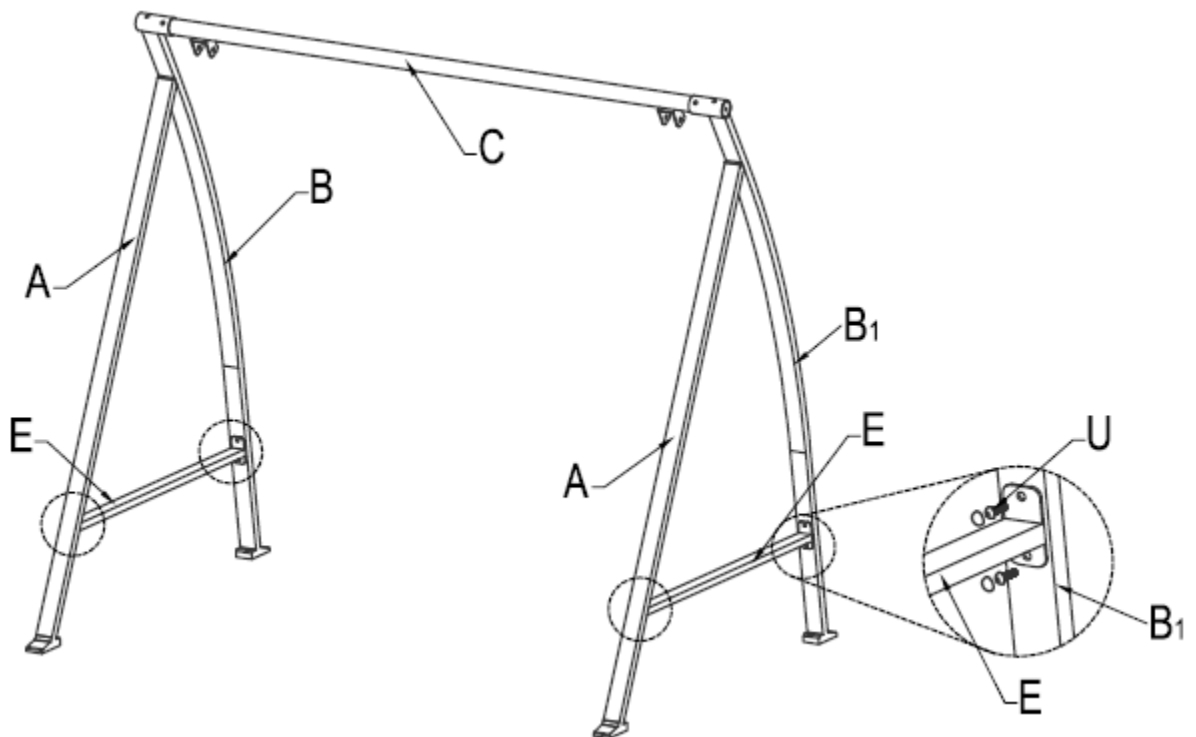


## Step 4

You will need



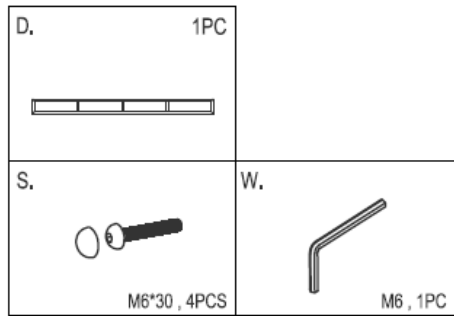
- Insert the foot connecting rod(E) into forelegs(A) and rear foot(B).
- Secure fixing points with bolt (U) by thread through and fasten by Allen Key(W).
- Repeat for the other set.



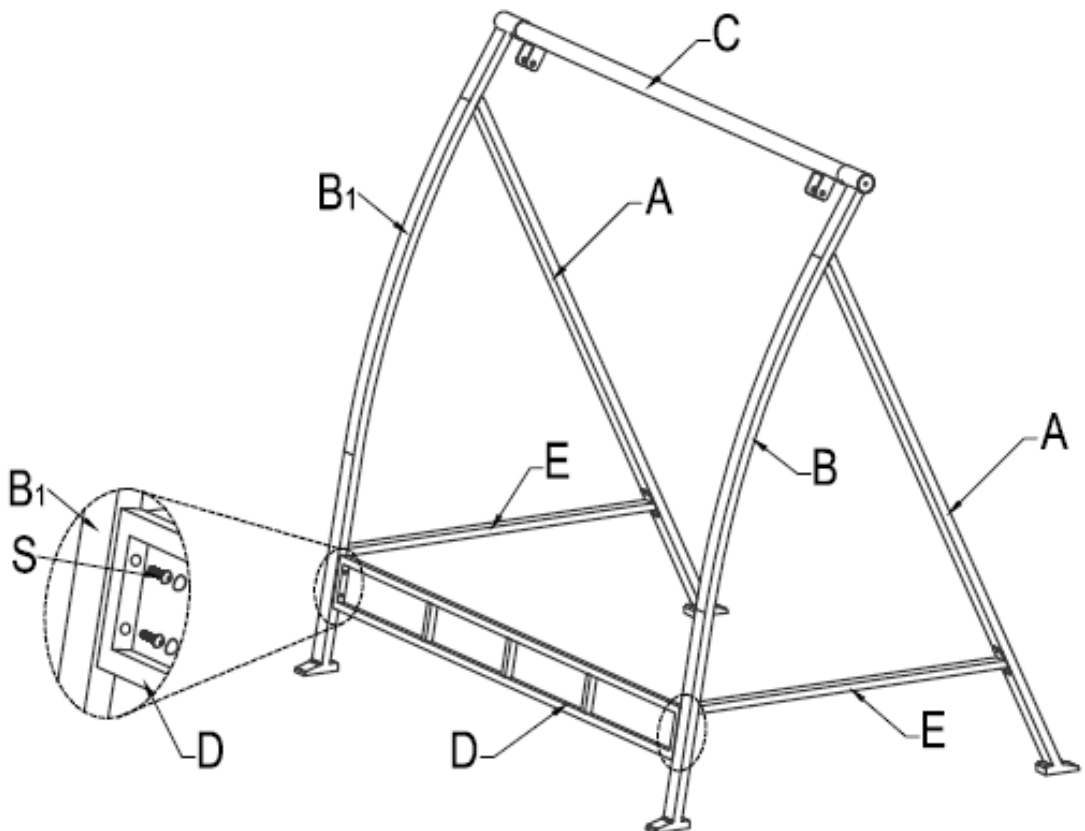


## Step 5

### You will need








- Insert the back link(D)into the frame ,as shown below
- Insert bolt(S) through the holes in the legs, as shown below, on both end of the frame. Fasten with Allen key(W).

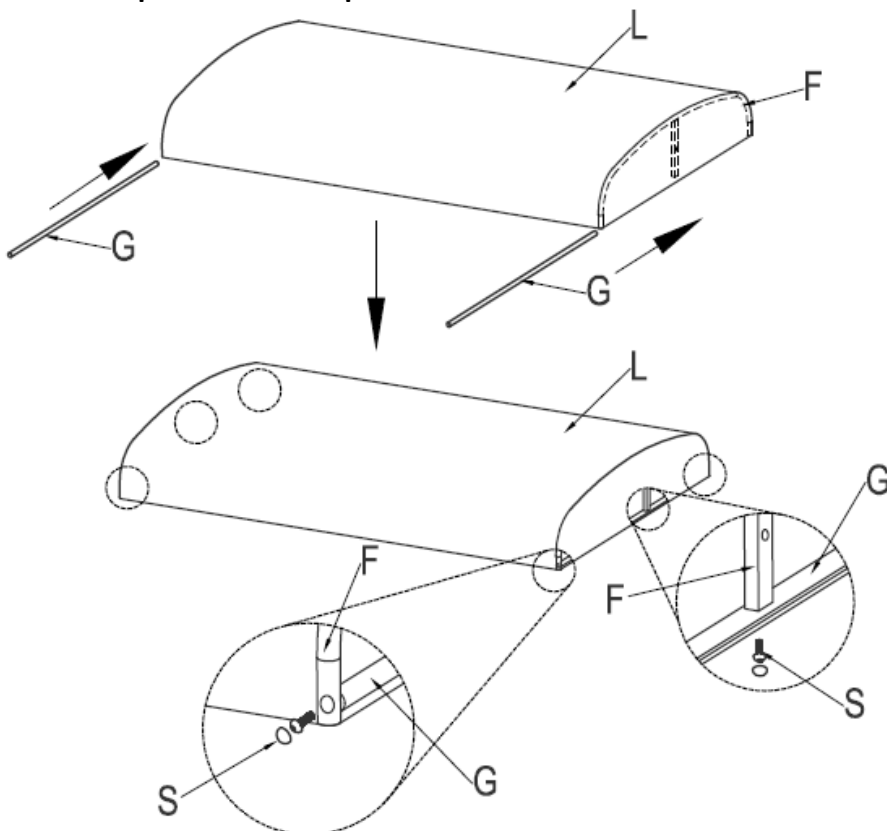


## Step 6

You will need

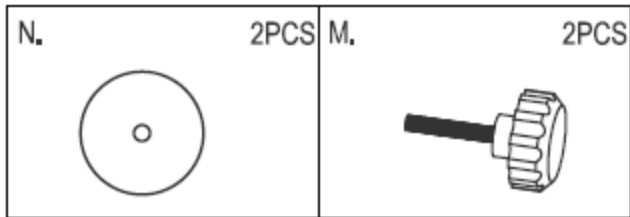
F.	2PCS	G.	2PCS	L.	1PC
					
S.		W.			
					
M6*30, 6PCS		M6, 1PC			

- Thread the 2x top links(G) through the tarpaulin(L) as shown below
- Insert the curved connect bar(F) to the each end of the tarpaulin.
- Secure the connect point with bolt (S),thread through the holes on connect bar and fasten with the Allen Key(W).
- Repeat the steps for rest point.

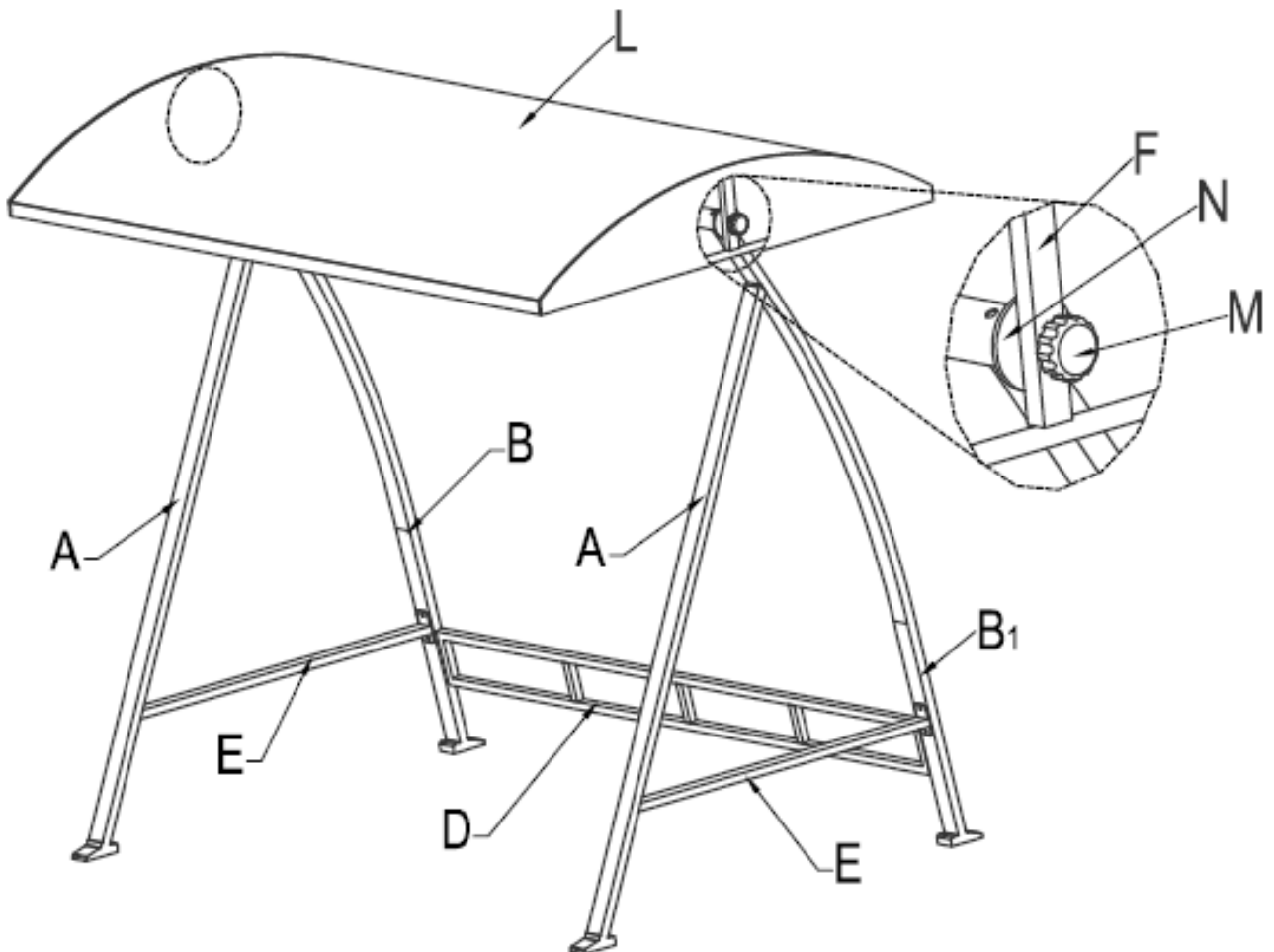


## Step 7

You will need








- With the aid of a 2<sup>nd</sup> person, lift and attach finished the tarpaulin to the swing frame
- Secure the connecting point with adjustable handle(M),thread handle (M) through plastic washer(N) as shown below.
- Repeat the steps for other end.

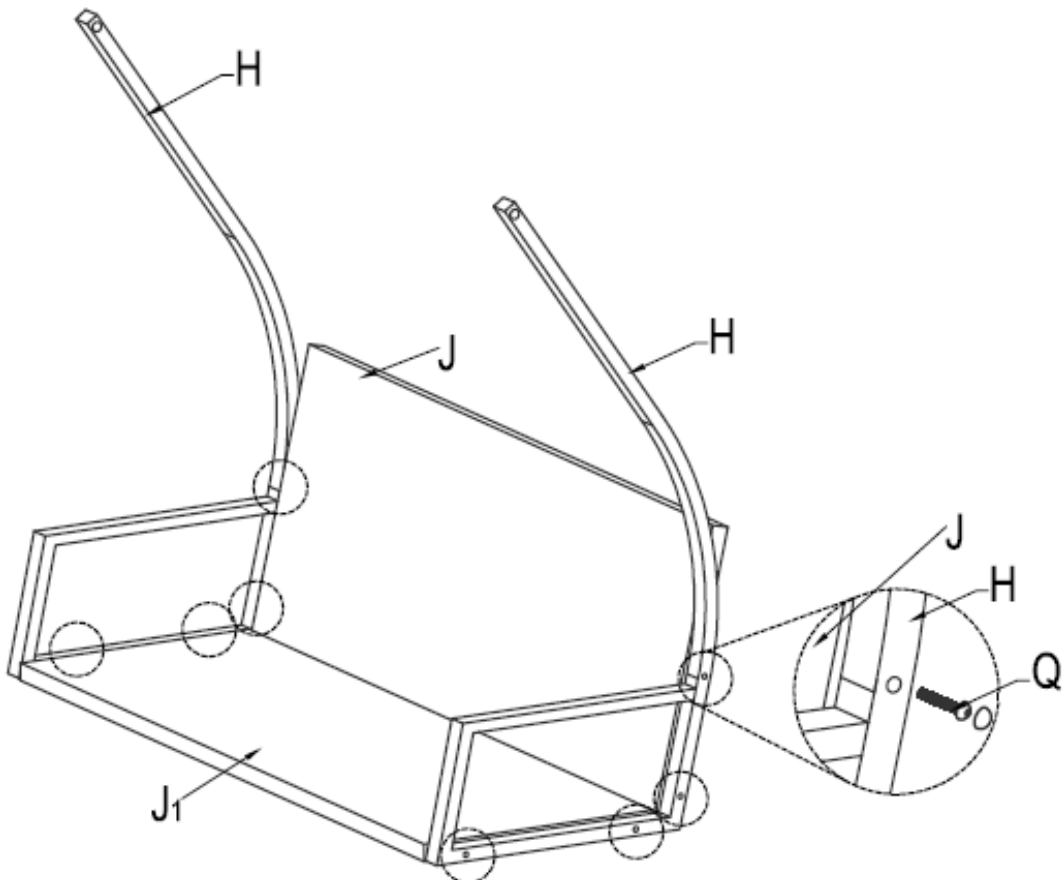


## Step 8

### You will need

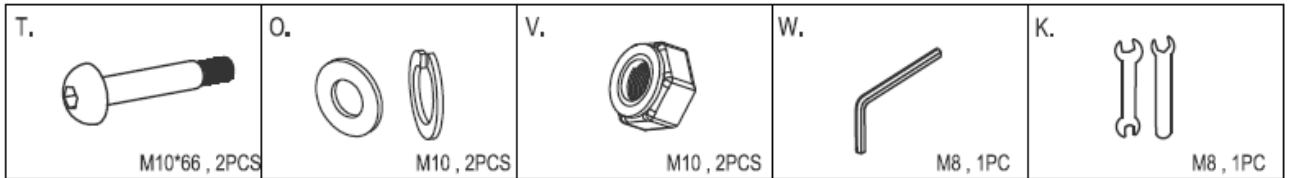
H.  2PCS	J.  1PC	J <sub>1</sub> .  1PC
Q.  M8*55 , 8PCS	W.  M8 , 1PC	

- Attach 2 armrest(I) to the base (J)and back plate(J<sub>1</sub> ).
- Secure the base plate (J)and back plate(J<sub>1</sub> )to the armrest with 4x bolt(Q) threaded from the outside in. Fasten with Allen key(W).
- Repeat for other armrest.

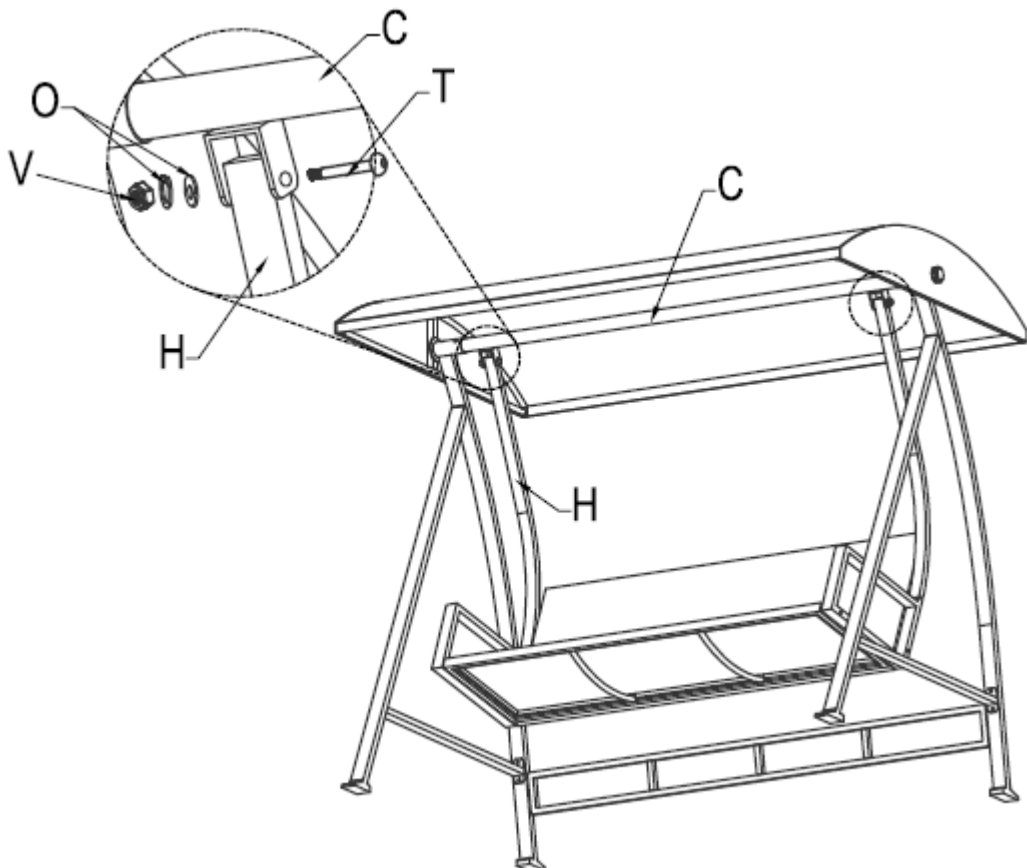


## Step 9

You will need

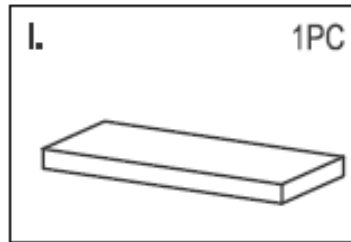


- With the aid of a 2<sup>nd</sup> person, lift and attach the seat to the top beam, as shown below.
- Secure the connect point bolt(T) threaded from the outside in. Lock the other end with washer(O) and nut(V). Fasten with Allen key(W) and Wrench(K).
- Repeat for other end.

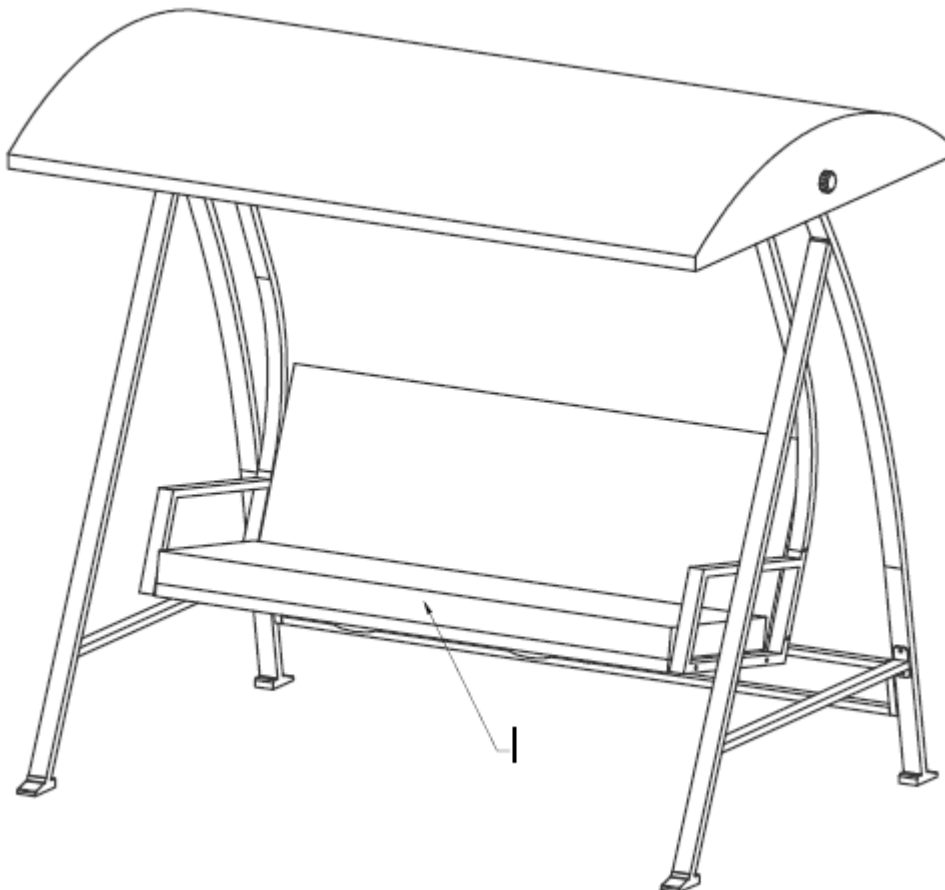


## Step 10

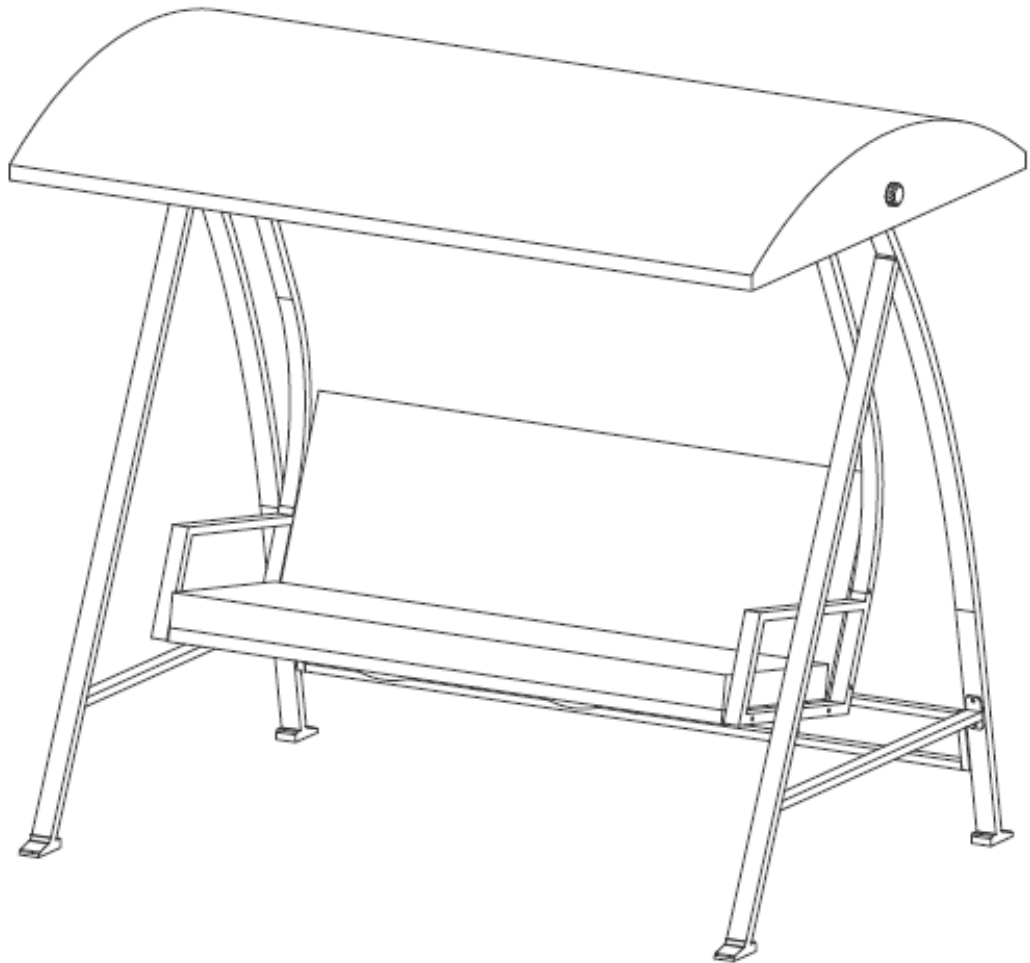
You will need



- Place the cushion(I) onto the swing.



Assembly is complete



# PRODUCT CARE:

## Metal

- ☒ Item is designed for use outdoors. However we do not recommend leaving this product outside when not in use. To preserve the life of this item, avoid prolonged exposure to the elements & store inside/under cover or use an outdoor cover.
- ☒ DO NOT allow the furniture to be left in the rain or left wet for extended periods of time.
- ☒ Wipe furniture Dry immediately after it becoming wet.
- ☒ DO NOT clean your furniture down with any harsh solvents, abrasives or chemicals.
- ☒ To remove dirt and grime, simply rinse with fresh water or periodically clean using a sponge and mild detergent solution as required

## Wicker

- ☒ Regular vacuuming and dusting of items is recommended.
- ☒ If weave on wicker becomes lacerated/damaged, do not pull on it as this may cause unravelling.
- ☒ Prolonged exposure to the elements may cause colour fading.
- ☒ To extend the life of your product the use of an Amart approved Outdoor Furniture Cover is highly recommended. Please contact store of purchase for further details.

## Cushions

- ☒ Direct exposure to the Sun's harmful UV rays is likely to cause rapid colour fading to fabrics. For best results we recommend avoiding exposure to direct sunlight
- ☒ To ensure product longevity it is recommended outdoor products are not left permanently exposed to the elements
- ☒ Spot clean using mild detergent and damp cloth. Dry flat in shade
- ☒ Do not unzip
- ☒ Do not put in washing machine
- ☒ Do not tumble dry
- ☒ Do not bleach
- ☒ Do not dry
- ☒ Cool iron c