

Assembly

• Save all Instructions



If you need assistance or find any parts missing, CALL
TOLL FREE: 1-800-737-2112.

Read and follow the assembly instructions. Do not discard any parts or materials until the unit is assembled. References to the right or left side of the tiller are from the viewpoint of the operator's position behind the tiller.

⚠ WARNING

Do not operate tiller if it is damaged or not completely and correctly assembled.

⚠ WARNING

Before doing any assembly or maintenance to the unit, remove the wire from the spark plug.

⚠ WARNING

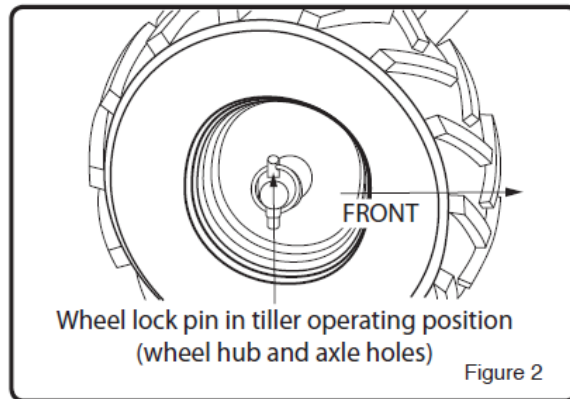
Always wear ANSI compliant safety glasses with side shields while assembling the tiller.

The following components will be found in the carton.
Quantities shown in ().

1. (1) Tiller
2. (1) Handle Assembly
3. (1) Front Handle
4. (2) Tine Assembly
5. (1) Tine Guard Assembly
6. (1) Depth Regulator
7. (1) Tiller Operator's Manual
8. (1) Engine Manual
9. (1) Bottle of Engine Oil
10. (1) Parts bag containing the following
 - a. Combination wrenches
 - b. (4) M8x25mm bolts, flat washers, lock nuts for assembling front carry handle
 - c. (2) M10x25mm flange head bolts, lock washers and nuts for assembling lower handle
 - d. (4) M8x60mm saddle bolts and washers for assembling upper handle
 - e. (4) Handle knobs for assembling upper handle
 - f. (2) Wheel locking pins
 - g. (2) M10x50mm bolts and lock nuts for assembling tines
 - h. (1) Pin
11. Stationary side shields with mounting hardware
12. (2) Wheel and tire assemblies

A How to Remove Tiller from Carton

1. Remove all parts and packaging components.
2. Use a utility knife to cut all 4 vertical edges and lay the side panels flat around the tiller.
3. Remove any remaining packaging.
4. Remove the two bolts going thru the packing frame and wheel axle holes.
5. Remove the two bolts located underneath the engine that go thru the packing frame and thru the tiller base frame.
6. With a helper, remove the tiller from the packing frame.



Assembly *(Continued)*

• Save all instructions



If you need assistance or find any parts missing, CALL
TOLL FREE: 1-800-737-2112.

B Assembly Instructions

The tiller comes fully assembled except for a few parts. The following instructions will help you complete the tiller assembly.

INSTALL THE WHEELS (See Figure 2)

1. Remove the locking pins from the axle.
2. The tiller wheels are directional. For best performance install the wheels with the tire thread facing the direction as shown.
3. Slide the wheel hub onto the wheel axle.
4. Align the wheel hub hole with the hole in the axle and insert the locking pin.
5. Rotate the locking pin ring to lock the pin in position.

INSTALL THE TINES

1. Check the orientation of the tine blade. The sharp cutting edge should be facing the direction of tine rotation for your tiller.
2. Install the tine assemblies on each tine axle. Secure with M10x50mm bolts and lock nuts. Do not over tighten the tine bolt. This could damage the tine assembly and cause difficulty in removing the tine assembly from the tine axle.

INSTALL THE TINE SHIELD

1. Remove the 4 bolts installed in the tine shield brackets above the transmission housing.
2. Place the tine shield on the bracket and secure with the bolts removed in 1. above.
3. Install the tine shield side with the hardware provided.

INSTALL THE DEPTH REGULATOR (See Figure 3)

1. Remove the bolt and knob from the depth regulator lever.
2. Insert the depth regulator into the bottom of the depth regulator bracket.
3. Insert the pin thru the bracket and lever.
4. Install the bolt and knob removed in 1. onto the depth regulator lever.

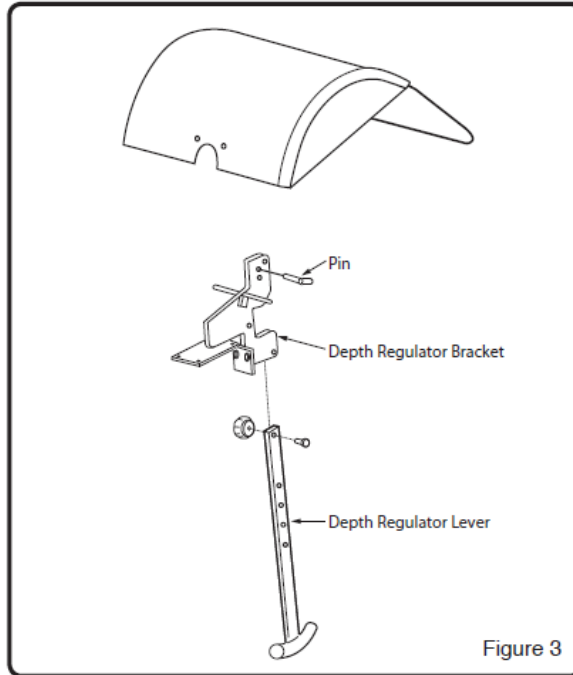


Figure 3

Assembly (Continued)

• Save all instructions



If you need assistance or find any parts missing, CALL TOLL FREE: 1-800-737-2112.

ATTACH LOWER HANDLE (See Figure 4)

1. Loosen the lower handle bolts.
2. Align the lower handle holes to the middle height adjustment holes in the transmission cover and install the M10 x 25mm flange head bolts, lock washers and nuts. Tighten all four bolts at this time.

ATTACH UPPER HANDLE (See Figure 5)

1. Slide the upper handle down over the lower handle and align the holes.
2. Insert the saddle bolts into the holes as shown and secure with the handle knobs.
3. Tighten the handle knobs securely.

ATTACH FRONT HANDLE (See Figure 1)

1. Slide the front handle onto the outside of the base frame and align the holes.
2. Install the four M8 x 25mm bolts, flat washers and locknuts and tighten securely.

